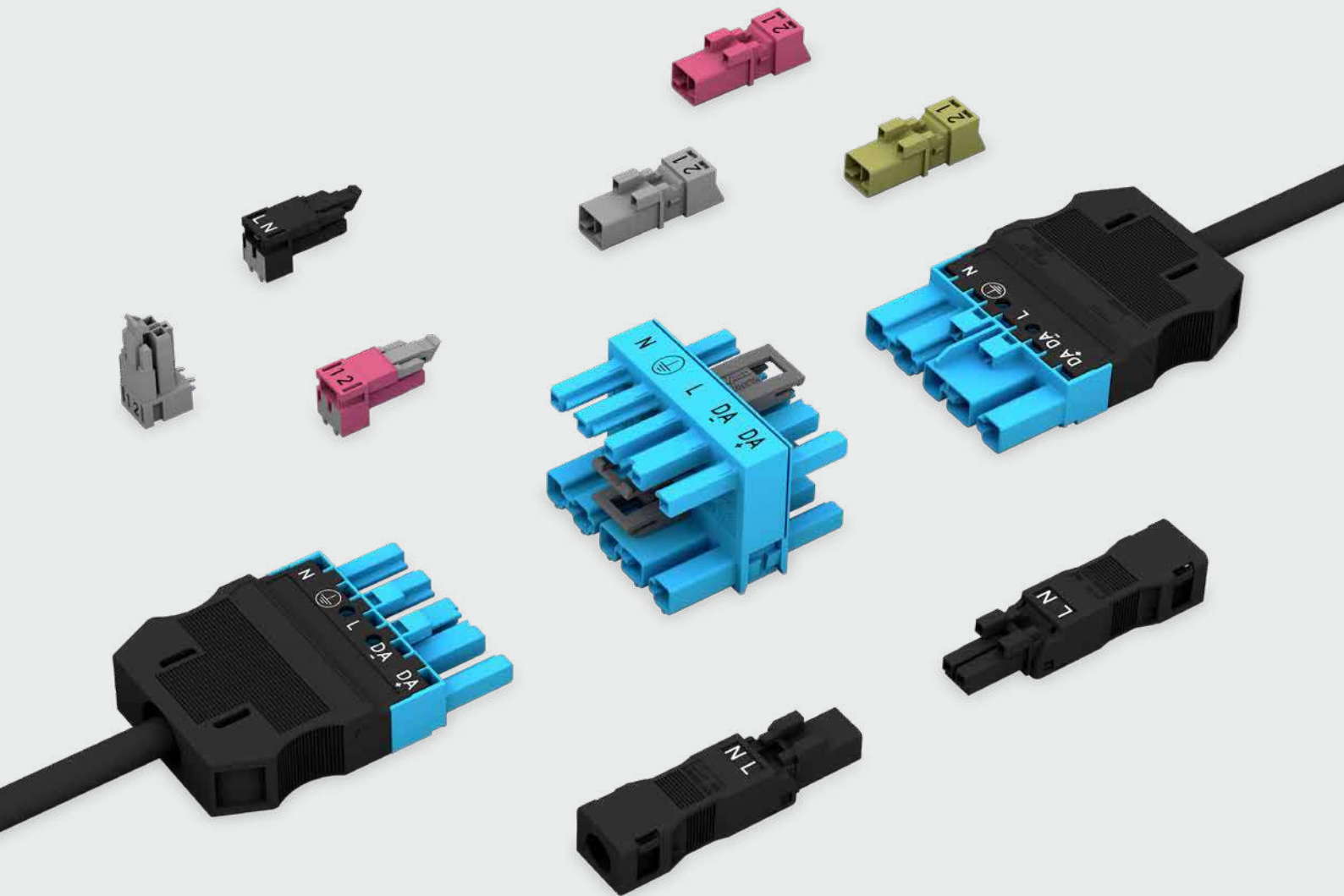




WAGO Pluggable Connection System WINSTA®

Edition 2023/2024



WAGO Full Line Catalogs



WAGO Rail-Mount Terminal Blocks and Connectors

- Rail-Mount Terminal Blocks
- Rail-Mount Terminal Blocks with Pluggable Connector (X-COM®-SYSTEM)
- Patchboard Systems
- Terminal Strips
- PUSH WIRE® Connectors for Junction Boxes
- Lighting Connectors
- Shield Connecting System



WAGO PCB Terminal Blocks and Connectors

- PCB Terminal Blocks
- THR/SMD PCB Terminal Blocks
- MULTI CONNECTION SYSTEM (MCS)
- Pluggable PCB Terminal Blocks
- Feedthrough Terminal Blocks
- Specialty Connectors
- Empty Housings



WAGO Pluggable Connection System WINSTA®

- Pluggable Connectors
- Snap-In Device Connectors
- Pluggable PCB Connectors
- Distribution Connectors
- Cable Assemblies
- Flat Cable Systems
- Distribution Boxes



WAGO Automation Technology

- Solutions & Software
- Operating & Monitoring
- Controllers, Edge Devices
- Modular I/O-SYSTEM IP20, I/O-SYSTEM IP67
- Industrial Switches
- Radio Technology
- IP67 Sensor/Actuator Boxes, IP67 Cables and Connectors



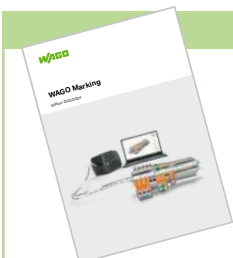
WAGO Interface Electronics

- Relay and Optocoupler Modules
- Signal Conditioners and Isolation Amplifiers
- Current and Energy Measurement Technology
- Power Supplies
- Interface Modules and System Wiring
- Overvoltage Protection
- Empty Housings



WAGO Power Supplies

- Power Supplies
- DC/DC Converters
- Circuit Protection
- UPS-Charger and Capacitive Buffer Modules
- Redundancy Moduls
- Current and Energy Measurement Technology
- Overvoltage Protection



WAGO Marking

- Printer
- Software
- Terminal Block Marking
- Cable and Conductor Marking
- Device Marking
- Marker Carriers

WAGO Pluggable Connection System *WINSTA*®

			Page
	WAGO Pluggable Connection System <i>WINSTA</i>® MINI 890/891 Series; 2- to 5-Pole Pluggable connectors, snap-in device connectors, pluggable PCB connectors, distribution connectors, cable assemblies	1.5 mm ² ; 16 A	23
	WAGO Pluggable Connection System <i>WINSTA</i>® MIDI 770/771 Series; 2- to 7-Pole Linect® T-connectors, pluggable connectors, snap-in device connectors, pluggable PCB connectors, distribution connectors, cable assemblies	4 mm ² ; 25 A	119
	WAGO Pluggable Connection System <i>WINSTA</i>® MAXI 831 Series; 5-Pole Pluggable connectors	6 mm ² ; 35 A	275
	WAGO Pluggable Connection System <i>WINSTA</i>® RD 774 Series; 3- and 4-Pole Cable assemblies	2.5 mm ² ; 20 A	281
	WAGO Pluggable Connection System <i>WINSTA</i>® KNX 893/894 Series; 2-Pole Pluggable connectors, snap-in device connectors, distribution connectors, cable assemblies	0.8 mm Ø; 3 A	295
	WAGO Pluggable Connection System <i>WINSTA</i>® IDC 772/893/895/896/897 Series Supply and tap-off modules, flat cables	16 mm ² ; 76 A	309
	WAGO Pluggable Connection System <i>WINSTA</i>® Boxes 899 Series Distribution boxes		337
	WAGO Accessories and WAGO Tools		365
	Technical Section		399
	Indexes Current addresses at www.wago.com		417

WINSTA® – A Complete Series Perfects the System

The WINSTA® Pluggable Connection System

is the electrical interface that links power supply and distribution to electrical loads (e.g., lights) and encompasses data processing (bus lines in building automation).

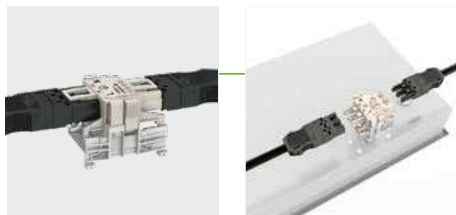
WINSTA® MINI



WINSTA® MIDI



WINSTA® MIDI Linect®

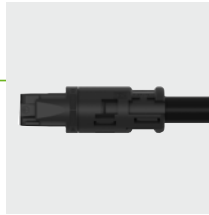


WINSTA® MAXI





WINSTA® RD



WINSTA® KNX



WINSTA® IDC



Comprehensive WAGO Project Support:

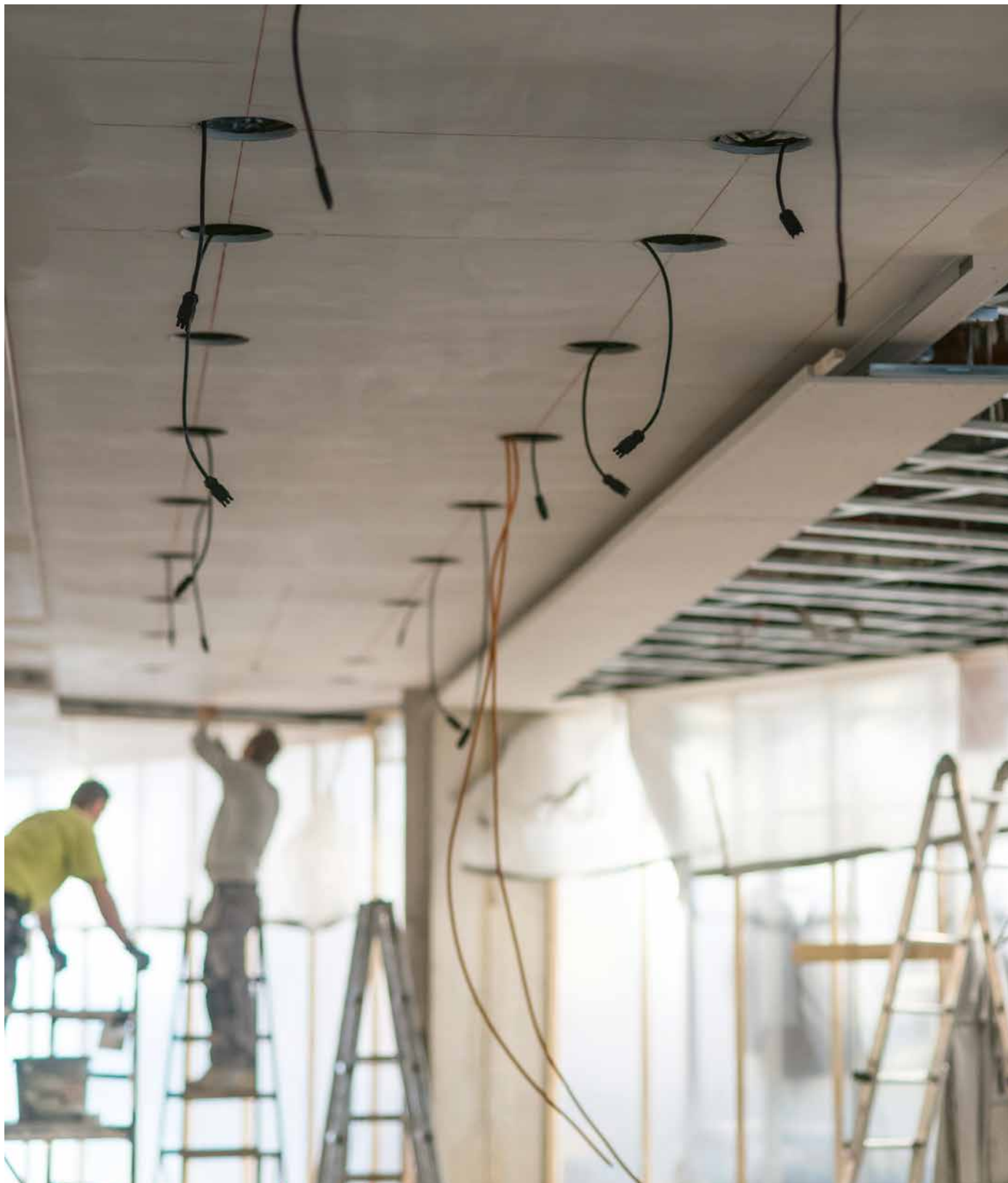
WAGO offers consulting and project planning services to help devise the best possible solution for your project. Our experienced team of professionals will gladly help you implement your project with our products.

www.wago.com/winsta

WINSTA® – The Pluggable Connection System

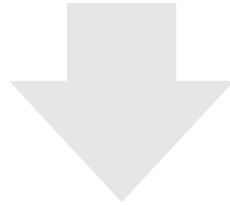
Plug into Power!

Even though the life cycle of a building stresses longevity, construction times are ever shorter and, particularly for functional buildings, operations are often subjected to continual reconstruction and relocation. Conditions within the construction industry show similar dynamic change: Overall construction volume is rising, so the order books are nicely filled. Yet at the same time, that industry struggles with a shortage of qualified workers. The **WINSTA®** Pluggable Connection System is the answer because speed, flexibility and expandability are becoming increasingly more important as integral keys to the long-term viability of buildings.



Planning

- End-to-end, application-oriented solutions from supply to load
- Integration of bus systems like DALI, SMI or KNX possible
- Decentralize energy distribution by integrating individually manufactured **WINSTA**® and system distribution boxes
- International approvals, along with our numerous successfully concluded building projects and references from the shipbuilding, transport and machinery/plant engineering areas, confirm high product quality.



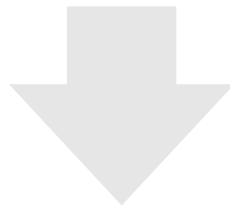
Setup/Installation

- Evident time savings for the installer on the construction site thanks to Plug & Play connections.
- Pre-assembled cables and distribution components mean distribution connectors are easily inserted, so there is no more laborious wiring in junction boxes.
- Mechanical coding and color identification enable clear assignment to the power circuit for secure protection against mismatching – especially when used with the optional individual printing.



Utilization

- Simple, swift change for newly planned room divisions or extensions
- Numerous system partners bring future security
- Locking latches for solid, secure component connections



Maintenance

- The **WINSTA**® Pluggable Connection System is based on maintenance-free spring pressure connection technology.
- **WINSTA**® MIDI features thoughtfully designed test ports that enable testing when plugged in.
- Color coding, e.g., for plugs or distribution connectors, enables fast power circuit identification.



Conversion/Modernization

- The electrical installation can be flexibly reconfigured or extended, adapting readily to individual requirements.
- Energy-efficient, sustainable products for room automation, for example, can be integrated into a **WINSTA**® installation for renovations or other conversions.
- Minimized downtimes for maintenance processes (e.g., for exchanging lights).

Perfectly Plugged Applications

WINSTA® Building Applications

Every family within the **WINSTA®** system features an extremely broad product portfolio to meet the power supply and signal transmission requirements of modern buildings. Individual components including plugs, sockets, distribution connectors, cable assemblies and boxes with pluggable outputs provide all you need for fast and easy electrical installations.

Additionally, the **WINSTA®** MINI and MIDI families with coding B offer various mechanical and optical coding options for clearly identifying different circuits, while allowing bus signals to be distributed via pluggable connections.



Raised-Floor Box

- IDC flat cables provide power supplies to raised-floor boxes.
- For each type of supply, a flat cable line is installed in the raised floor and fed via supply modules.
- Tap-off is performed via a cable assembly that is protected against mismatching.
- Floor boxes come with integrated snap-in connectors.

Cable Duct

- Power supply distribution to a 230 V mains is performed using a pre-assembled **WINSTA®** Distribution Box.
- Power outputs are plugged into trunking outlets via pre-assembled interconnecting cables with integrated **WINSTA®** Plugs and Sockets.

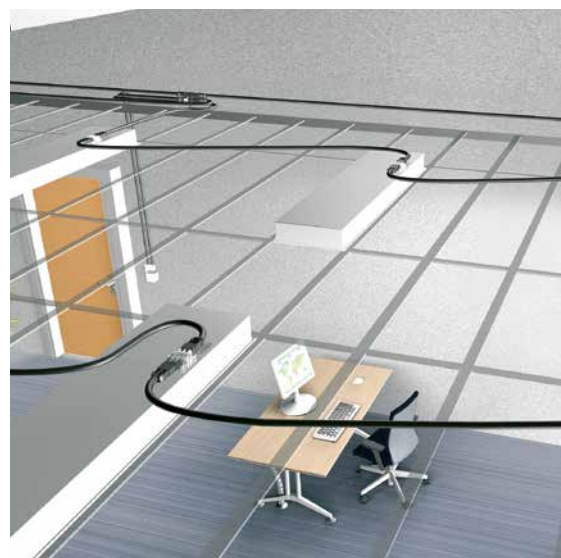


iStock.com/Johnny Greig



Sunblind Control

- A connecting cable supplies the **WINSTA**® Distribution Box for sunblind control.
- The sunblinds can also be operated via switches, as a user may expect.
- The distribution box connectors are protected against mismatching.
- The application is pre-assembled to save installation time and expedite system expansion.



Lighting

- The ceiling lights are connected to the distribution box via Linect® T-Connectors and **WINSTA**® Cable Assemblies.
- The circuit is flexible, quick to set up and can readily adapt to new requirements using the pluggable connection system.
- Linect® lights can be installed and removed just as quickly.

Perfectly Plugged Applications

WINSTA® Applications in Other Industries

Ships

Pluggable connection of smoke detectors, balcony door contacts, speakers and lights expedite electrical installation.



RVs

Electric power and lighting for the interior – benefit from fast, safe and faultless installation.



Trains

Plug & Play components support on-schedule completion and quick component replacement using pluggable outlets, displays, internal circuits, door contacts, speakers and lighting.



iStock.com/ fallbrook



iStock.com/ kirza



@Photocreo Bednarek/Fotolia.com

Elevators

Simplified installation and maintenance thanks to pluggable connections for electric power and lighting in the compartments

Shops and Trade Shows

Flexible installation that optimally provides electricity and lighting to temporary structures, or those that are frequently modified



@mahofotolia.com



Device Connection at Home

Ignition fans for pellet heating, connection of room control devices, electrical and lighting installation for integrated room systems

Devices and systems in homes and other private buildings have to be started and disconnected quickly and easily. This can be done at any time via touch-proof **WINSTA®** Pluggable Connectors.

Perfectly Plugged Applications

WINSTA® Applications in Other Industries

Retail Centers

Within electrical and lighting installations in consumer electronics stores, home improvement centers, supermarkets and other high-traffic environments, pluggable electrical installation is the gold standard.



@Photocreo Bednarek/Fotolia.com

Device Connection for Industrial Applications

Control systems, single-room controllers, presence detectors, empty bottle return machines and more

Manufacturers of industrial devices and systems are faced with a number of challenges. WINSTA® snap-in device connection permits fast, safe and error-free commissioning.

Customer Applications



Lanfer Automation

The company completely renovated its headquarters, targeting greater energy efficiency through innovative automation technology. The installation yielded additional benefits, because using the bus technology



meant no multiple lines had to be laid. As an additional benefit, **WINSTA**® simplified the connections between systems and devices

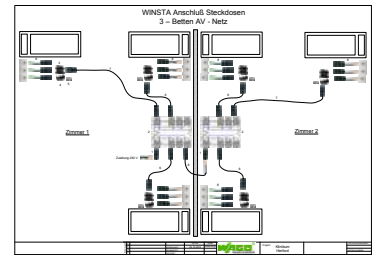


Zinser Fashion House

The Zinser Fashion House was completely modernized in a very short time, without interrupting operations. Instead of individually wiring 2000 lights per floor, only



30 to 35 **WINSTA**® Boxes had to be wired in each story, leaving only the lights to be plugged in.



Herford Hospital

The clinic decided to use **WINSTA**® for the electrical wiring of the new, one- and two-bed patient rooms. For the installation of sockets on patient beds, a concept that enabled simple pre-assembly was designed. The corridor lighting in the hospital was implemented with

the pluggable connection system, resulting in 70% less effort and 30% lower costs.



Münster Municipal Theater

The Münster municipal theater was the first theater constructed in Germany after World War II. As part of its renovation, the illuminated seat numbering was modernized using **WINSTA**® Pluggable Connectors.

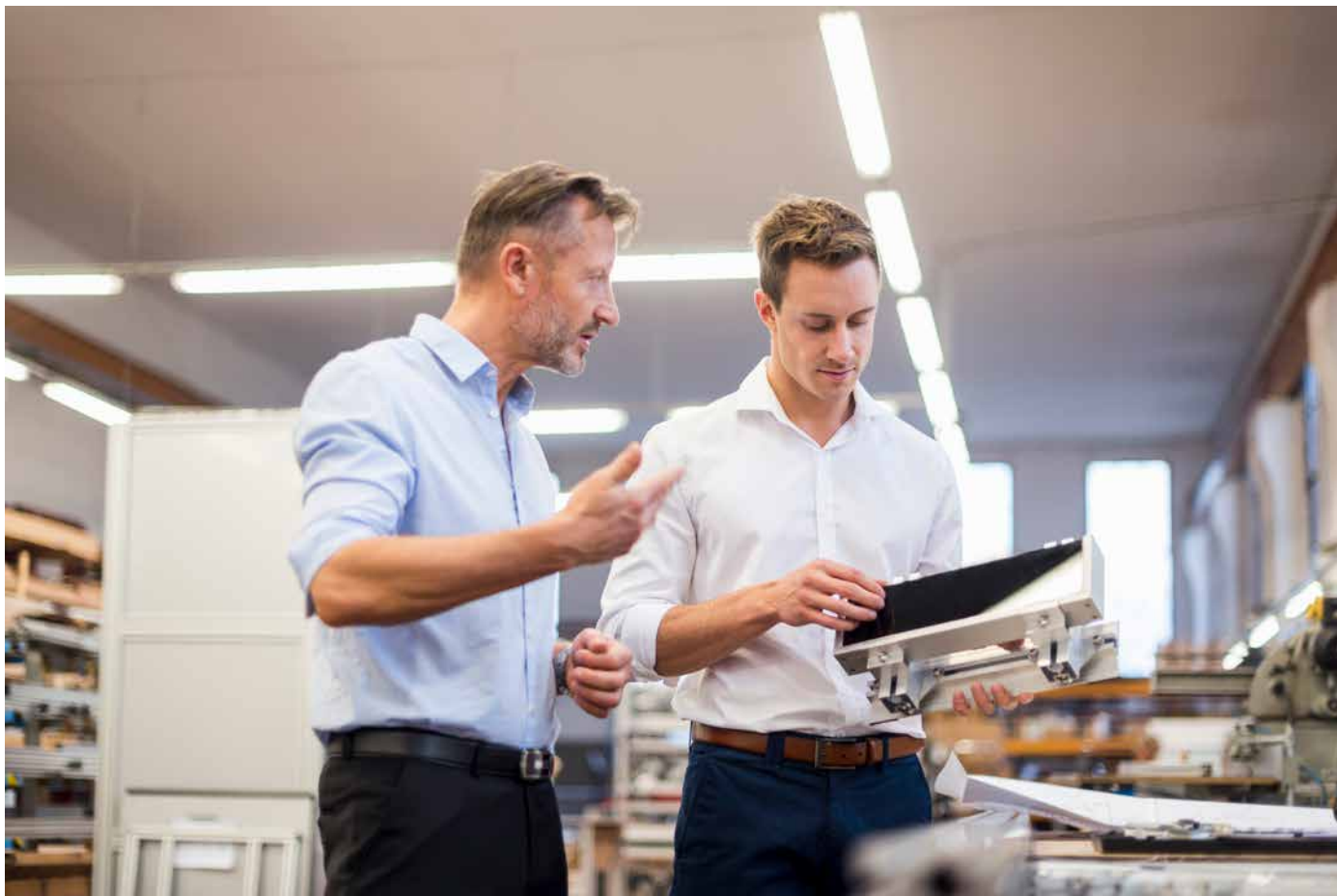
The emergency lighting was also revamped using **WINSTA**® MINI. The results simply sparkle.

WINSTA® – System Partners

Pluggable, End-to-End Design and Installation

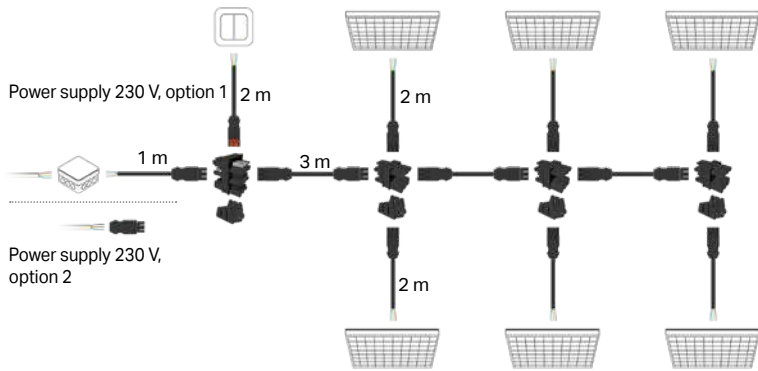
The core advantage of the **WINSTA®** Pluggable Connection System is in the time it saves. Electrical designers save time, especially when they can quickly and neatly create complete electrical plans the installers can use to build complete electrical systems on the construction site. The job is done on time and without a hitch!

With **WINSTA®** and the connected system partners, a coherent and consistent electrical design is seamlessly implemented and realized from supply to the "last mile"; that is, the interfaces to the fixed installation, such as lights or sockets.



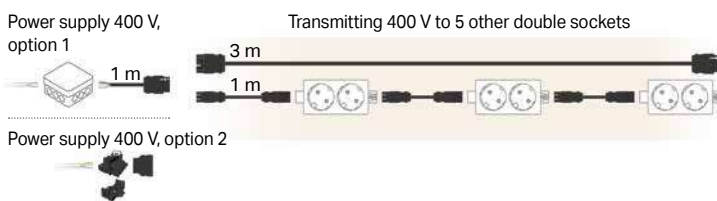
- All system partners maintain catalog articles with **WINSTA®** Pluggable Connection Technology.
- The system partner program covers all building installation interfaces, right to the end user.
- Manufacturers that carry the **WINSTA®** system partner logo equip their complementary products with the original WAGO Connection Technology and WAGO Pluggable Connectors.

Please feel free to contact us if you would like to have further information about our local **WINSTA®** system partners!



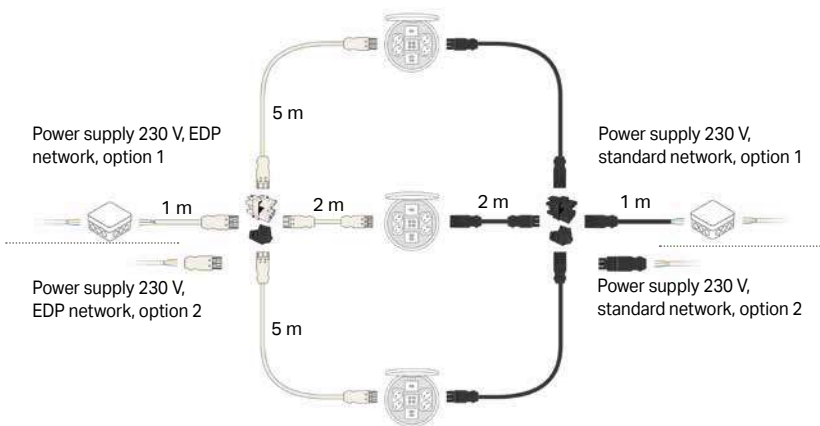
Lighting Fixtures

- Major time savings, since the plugs are already mounted at the factory.
- Also available for LED lights



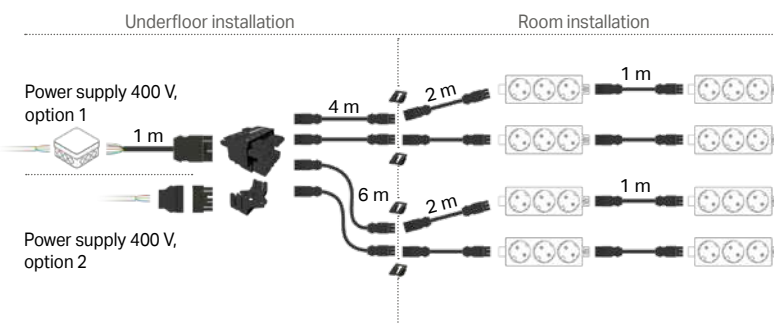
Switches/Socket/Cable Ducts

- As one example, with **WINSTA**®, cable duct elements can be preassembled by the meter and installed on the construction site with just a few easy steps.



Underfloor

- Our system partners' underfloor boxes are available with either a handy, short connecting cable or a snap-in plug.



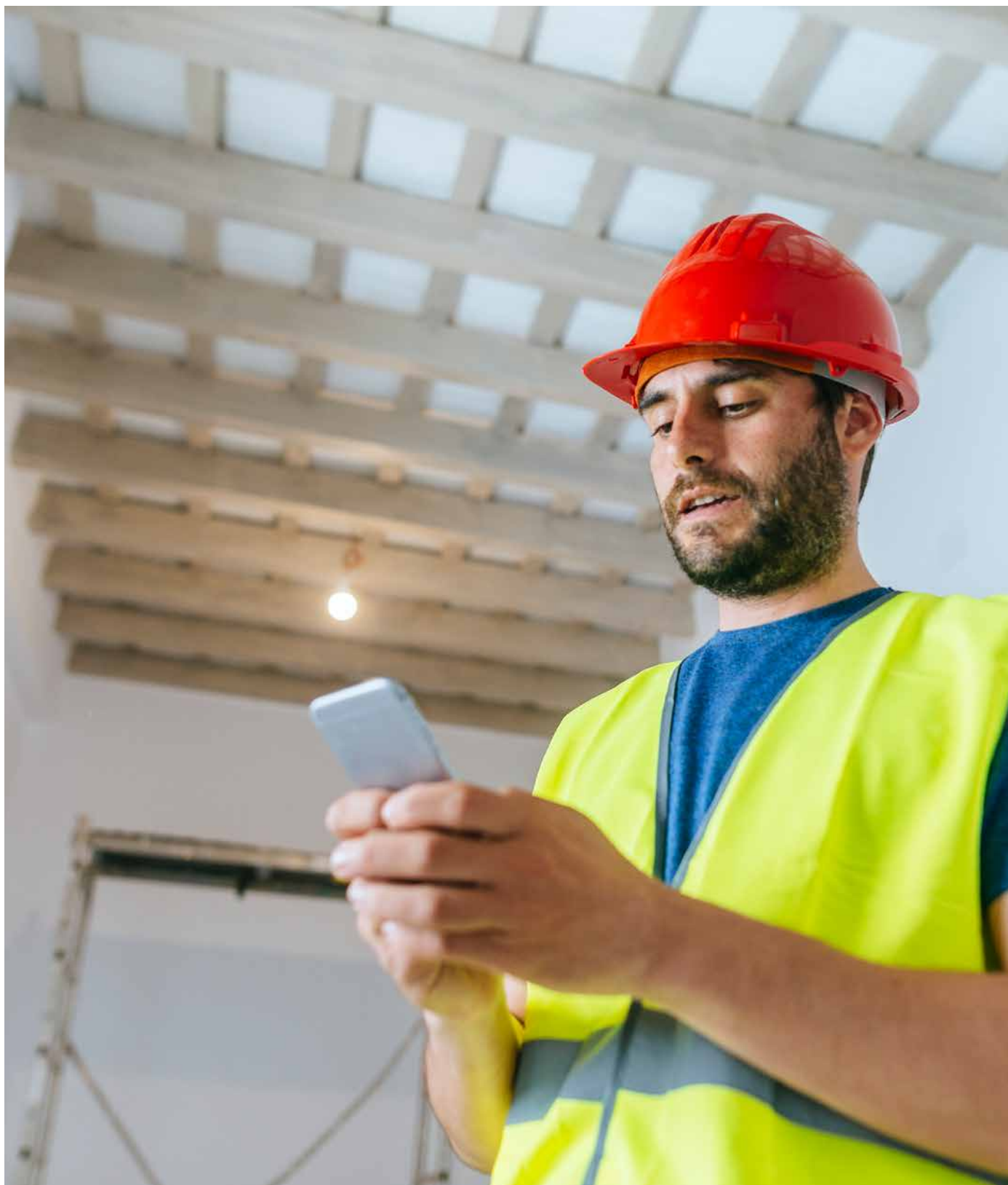
Workstation

- Workplace installations must be flexible – with **WINSTA**®, the ideal connections are a given.
- **WINSTA**® system partners offer a comprehensive range of functional, design-optimized complementary products.

WINSTA® in the Context of the Construction Product Regulation (CPR)

Background

Cables that are permanently installed in structures fall under the European CPR. They are classified into uniform fire classes according to their reaction to fire. The requirements are described in the harmonized standard hEN 50575:2014. Device connection cables that are directly connected to a load are an exception. All other cables must bear a CE conformance mark according to the CPR and a declaration of performance.



What does this mean for the **WINSTA®** Pluggable Connection System?

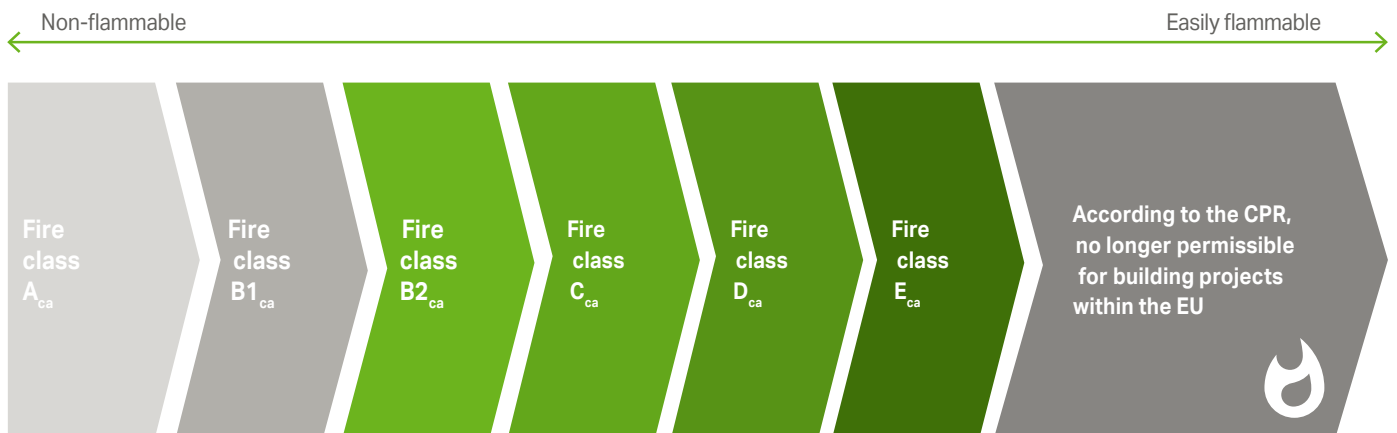
WAGO supplies cable assemblies within the **WINSTA®** product range. These cable assemblies are construction product-compliant, as they are designed according to standards for permanent installation in buildings, but are not covered by a uniform standard under the CPR. The scope of hEN 50575 only includes raw cables, not finished cables or cable assemblies. Thus, WAGO itself cannot issue any CE marking according to the CPR or declaration of performance!

What safety does WAGO offer in the event of fire?

The numbers from various statistics clearly show that one of the most common causes of death in fires is exposure to toxic gases and smoke. To counteract this, we have offered halogen-free cable types for the **WINSTA®** System for some time.

Always on the safe side – with **WINSTA®**!

The cables in the catalog range now already meet the requirements of the CPR and have been tested accordingly. Articles of higher fire classes (B_{2ca} and C_{ca}) are available on our E-Shop.





FAQ – Planning

Which room installation applications can be realized with the **WINSTA®** plug-in convenience?

WINSTA® means versatility for the widest range of applications. With the diverse product types, it is possible to install the energy supply for lights with widely varying switching types through cable ducts or underfloor systems via floor boxes, as well as dimming and shade control via pluggable installation connectors. Integrating bus systems such as DALI for dimming functions or SMI to control shading is uncomplicated; the same applies to the necessary sensors.

Is **WINSTA®** intended for applications in open or easily accessible areas?

Specialty products are available for this application (see page 175).

How flexible is the **WINSTA®** System when it comes to design/installation changes?

In functional buildings, modules can be added to the **WINSTA®** System at any time. If the intended room use changes, the installation is adapted or retrofitted quickly and error-free. With Plug & Play connection, both pre-assembled wiring and loads can be exchanged with just a few deft moves. All **WINSTA®** products can be reused to conserve resources.

Is the **WINSTA®** System maintenance-free?

Of course; the **WINSTA®** Pluggable Connection System is based on maintenance-free spring pressure connection technology. Many of the components feature Push-in CAGE CLAMP® for conductor terminations; thus, for example, even solid conductors can be simply pushed into unit.



Does WAGO recommend which coding and color to use for which application?

Due to the different applications, WAGO recommends using specific mechanical codings and colors:

Application	Coding	Connector Color
General network applications	A	Black, white
EPD or UPS applications	P	Red
Controlled lighting, DALI	I	Blue
Emergency power applications	L	Dark gray
Switch function	S	Brown
Control or other mains applications	B	Gray
Controlled shading/dimming; e.g., via SMI	B	Pink
Low voltages	B	Light green

Are distribution boxes with WINSTA® components available?

Yes. WAGO offers a variety of distribution boxes with different functions, like DALI Bus, KNX applications, sunblind control and more – completely ready for connection with WINSTA® Pluggable Connectors.

Where can WINSTA® be installed?

Essentially, the provisions outlined in VDE 0100 must always be observed. Pluggable installation connectors like WINSTA®, approved per IEC 61535, find use in prefabricated buildings, hollow spaces such as double floors or suspended ceilings; cable carrying, routing or ducting systems; in showrooms, separation walls and all similar applications.

FAQ – Service

How does WAGO support me during the design of building installation and automation?

WAGO's project service offers a very high level of support to help you through even the most complex and demanding installations. You can contact the project service by email under: info.projektplanung.de@wago.com.

Are there planning templates to get started?

WAGO has compiled planning examples for some applications; they are presented in our planning brochure with an appropriate parts list (www.wago.com/winsta). With **WINSTA**[®], these resources provide solid orientation that can be easily adapted to the individual project requirements – especially in the start phase.

FAQ – Installation

Is the **WINSTA**[®] Connection System truly a universal solution for building applications that allows devices with conventional field-wiring terminal blocks to be integrated into the installation?

In addition to cooperation with system partners who have access to their products via a direct **WINSTA**[®] interface, the **WINSTA**[®] System offers flexible and independent solutions such as connecting cables with open cable ends for pre-assembly on site. This means devices and loads can always be integrated into a **WINSTA**[®] installation.

What key advantages does **WINSTA**[®] offer for wiring?

Using the **WINSTA**[®] Pluggable Connection System cuts on-site connection time for installers to an absolute minimum. Thus, whenever a project calls for electrical installation, the wiring is simple, fast and on time, every time. **WINSTA**[®] also offers a multitude of mechanical codings and colors to protect against mismatching that virtually eliminate installation errors.

Who is permitted to install products from the **WINSTA**[®] Series on the construction site?

Only qualified electricians or appropriately instructed personnel may install pluggable installation connectors from the **WINSTA**[®] Series.

What needs to be considered for the transition from NYM cables for permanent installation to pluggable installation using flexible cables?

Flexible cables must be protected against excessive loads from tension, pressure, abrasion, twisting and kinking, particularly at device inlets and the transition point to the fixed installation. With **WINSTA**[®] Connectors, the transition point from NYM to **WINSTA**[®] can be defined and connected directly on site. This transition area must be correspondingly secured and protected from excessive bending stress. In addition, all terminals must be protected against shear and tensile stress.

FAQ – Security

How does **WINSTA**® accommodate differentiating/identifying individual power circuits?

Of course, flexible marking is part of a flexible connector system. This is why **WINSTA**® also offers custom solutions. Components with coding B from the **WINSTA**® MINI and **WINSTA**® MIDI families can be variably printed, to explicitly identify the specific power circuit they are assigned to. With clever accessories, further possibilities emerge.

Are the pluggable connectors secure and protected against accidental disconnection?

All products intended for permanent installation (e.g., distribution boxes, snap-in variants, PCB variants) are fitted with locking latches at the factory, so every plugged connection is securely locked. Locking latches can be attached to pre-assembled cables for "flying leads" at any time.

Is **WINSTA**® suitable for outdoor installations?

The **WINSTA**® System is approved up to protection class IP20; thus, **WINSTA**® shall not be used for outdoor installations.

Is the **WINSTA**® System protected against accidental contact?

All components of the **WINSTA**® System are protected against accidental contact, providing maximum safety.

FAQ – Regulations, Standards and Guidelines

To which regulations must I orient myself for installations with **WINSTA**®?

WINSTA® is primarily approved per IEC 61535 (VDE 0606-200) – the product standard for pluggable installation connectors intended for permanent connection in mounted installations. When installing **WINSTA**® products, the DIN VDE 0100 specifications must be followed.

Can **WINSTA**® be used in low-voltage range applications?

Compliance of **WINSTA**® products with the low-voltage directive is verified by the CE approval.

What must be accounted for when connecting a cable with reduced cross section to an underfloor box (e.g., via IDC tap-off module)?

The minimum cable cross section must be adapted to the connected load. More protection measures are only required if the cable with the reduced cross section is longer than 3 m; see VDE 0100 – 430.

Can two electrical circuits (even those with different voltages) be routed in one connector/cable?

According to VDE 0100 Part 520, this is acceptable when the connector, or all of the wire insulation present in the cable line is rated for the maximum voltage applied.

What needs to be considered for an installation requiring increased fire protection?

When using pluggable connector systems, the conduit selected has a significant impact on building protection, thus safeguarding the inhabitants and users. Cables and conduits fall under the Construction Product Regulation (CPR). Their performance in the event of fire is described by the fire class feature. In the **WINSTA**® product range, WAGO also carries cables suited for higher fire classes (B2_{ca} and C_{ca}) that are available in our eShop.








WAGO Pluggable Connection System *WINSTA*® MINI

WAGO Pluggable Connection System WINSTA® MINI ▶ 890, 891 Series

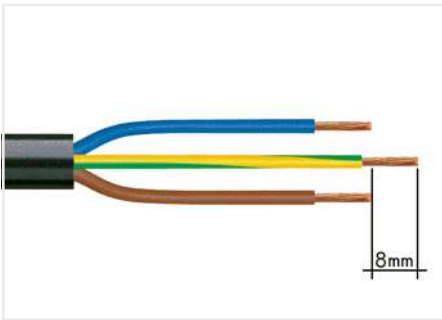
1.5 mm² / 16 A

- Note:**
- Installation connectors are designed for connection and disconnection while not under load.
 - There is no hazard-inducing interchangeability with systems based on IEC 60309, IEC 60320, IEC 60906 and with national connector and socket systems.
 - Compliance with the standards (IEC 61535) does not guarantee hazard-preventing, non-interchangeability with installation connector systems from various manufacturers.
 - Installation connector systems are not a substitute for residential connector/socket systems.
 - B-Coded components from the WINSTA® MINI series are designed for specialty applications (e.g., measurement, control and regulation technology) and certified per DIN EN 61984.
 - WINSTA® MINI Connectors are not intended for installation in open or easily accessible areas.

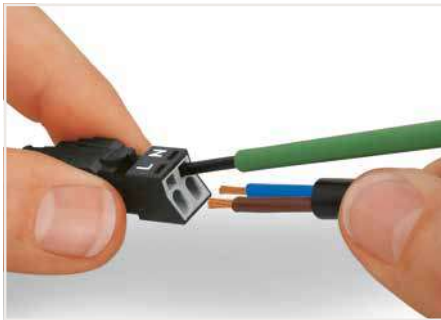
	Page	
	Pluggable Connectors, 890 Series	
	2-pole	28
	3-pole	52
	4-pole	74
	5-pole	96
	Snap-In Device Connectors, 890 Series	
	2-pole	32
	3-pole	56
	4-pole	78
	5-pole	100
	Pluggable PCB Connectors, 890 Series	
	2-pole	34
	3-pole	58
	4-pole	80
	5-pole	102
	Distribution Connectors, 890 Series	
	2-pole	38
	3-pole	62
	4-pole	84
	5-pole	106
	Cable Assemblies, 891 Series	
	2-pole	42
	3-pole	66
	4-pole	90
	5-pole	110

WINSTA® MINI ▶ 890, 891 Series Installation

1



1. Strip length, outer insulation = x mm ❶
2. Strip length = 9 mm
3. Extended ground conductor = 8 mm



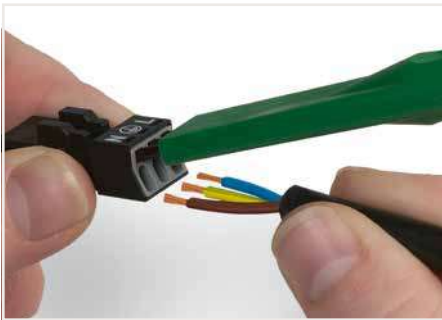
To terminate fine-stranded conductors, open the clamping unit via screwdriver (2.5 mm blade width) and insert a stripped conductor until it hits backstop. Terminate solid conductors by simply pushing them in.



Latch wired connector onto the base of the strain relief housing.



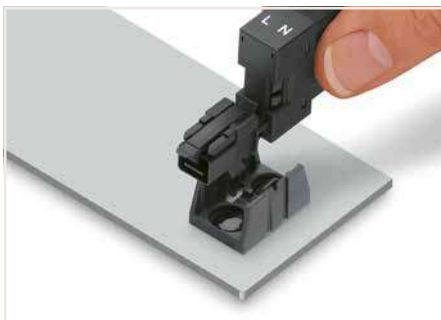
To terminate fine-stranded conductors, open clamping units via operating tool (890-382) and insert stripped conductors until they hit backstop. Terminate solid conductors by simply pushing them in.



To terminate fine-stranded conductors, open clamping units via operating tool (890-383) and insert stripped conductors until they hit backstop. Terminate solid conductors by simply pushing them in.



Secure the mounting plate via pins.



The distribution connectors snap together when attached to the mounting plate.



All connectors for mounted installations (snap-in versions, pluggable PCB connectors, distribution connectors) are factory-equipped with locking levers to ensure plugs and sockets are securely locked. Additional locking levers are only required for "flying leads" (plug/socket).

❶ Strip length, outer insulation: 2-pole = 32 mm, 3-pole = 40 mm, 4- and 5-pole = 45 mm

PUSH-IN CAGE CLAMP®

1



Push down strain relief clamp by hand.



Push down strain relief clamp via 2.5 mm screwdriver alternately on both sides.



Latch the top of the strain relief housing.



The printed marking of the connector is clearly visible in the openings of the strain relief housing.



Connector with shield termination



Apply the shield to the rubber cable.
Strip length, outer insulation = 40 mm
Shield length = 8 mm



Push the shield connecting plate into the connector until fully inserted.



First insert the wired connector into strain relief housing, then snap clamp and cover.

WINSTA® MINI ▶ Coding: B ▶ 890, 891 Series

Description and Installation

1



Gray, B-coded connector with "3 2 1" marking, e.g., control signal (A circuit)



Easy circuit identification via different marking and colors



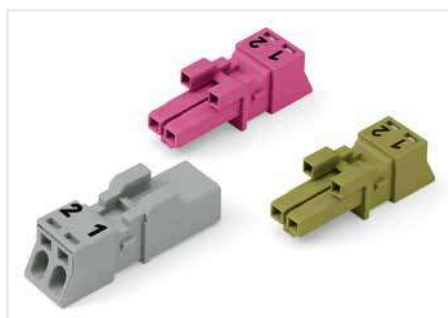
B-coded connectors (shown in gray) not only differ in color, but also in their design, making them incompatible with other coded connectors.



Light green, B-coded connector with "3 2 1" marking, e.g., DC power supply (24 V circuit)



Pink, B-coded connector with "3 2 1" marking, e.g., control signal (B circuit)

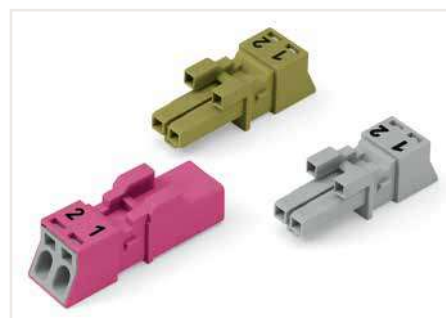


B-coded connectors with different colors can be plugged together.

Important note:

Different colors and/or pole markings are used for circuit identification.

Only connectors of the same color and same pole marking must be plugged together.



Pluggable connectors ▶ WINSTA® MINI ▶ 890 Series

Pole number: 2

1



- Protected against mismatching and maintenance-free
- Push-in CAGE CLAMP® spring pressure connection technology for direct termination of solid conductors
- Low profile with 4.4 mm pole spacing

Electrical data			
Coding	A; B; I		
Ratings per	IEC/EN 60664-1		
Overvoltage category	III	III	II
Pollution degree	3	2	2
Nominal voltage	250 V	-	-
Rated surge voltage	4 kV	-	-
Rated current	16 A	-	-
Approvals per	UL 1977		
Rated voltage	600 V		
Rated current	14 A		

Connection data	
Connection technology	Push-in CAGE CLAMP®
Strip length	9 mm / 0.35 inches
Nominal cross-section	1.5 mm ² / 16 AWG
Solid conductor	0.25 ... 1.5 mm ² / 22 ... 16 AWG
Solid conductor; push-in termination	0.75 ... 1.5 mm ² / 20 ... 16 AWG
Stranded conductor	0.25 ... 1 mm ² / 22 ... 18 AWG
Fine-stranded conductor	0.25 ... 1.5 mm ² / 22 ... 16 AWG
Fine-stranded conductor; with insulated ferrule	0.25 ... 0.75 mm ² / 22 ... 20 AWG
Fine-stranded conductor; with uninsulated ferrule	0.25 ... 0.75 mm ² / 22 ... 20 AWG
Fine-stranded conductor; with ferrule; push-in termination	0.75 mm ² / 20 AWG

Material Data	
Material group	I
Insulation material	Polyamide (PA66)
Flammability class per UL94	V0
Clamping spring material	Chrome-nickel spring steel (CrNi)
Contact material	Copper or copper alloy; surface-treated
Contact plating	Tin

Mechanical Data	
Number of mating cycles	200, without resistive load
Mating force of a plug-in connection	approx. 20 ... 70 N (depending on pole number)
Unmating force of a plug-in connection	Unlocked: approx. 20 ... 70 N (depending on pole number)
Retention force of a plug-in connection	Locked: > 80 N

Environmental requirements	
Processing temperature	-5 ... +40 °C
Continuous operating temperature	-35 ... +85 °C
Note on continuous operating temperature	Insulating parts for temperatures ≤ 105 °C

All WINSTA® components are 100% protected against mismatching when:

- plugging different numbers of poles
- plugging while rotated 180
- plugging while laterally staggered
- plugging one pole

All connectors for mounted installations (snap-in versions for lighting fixtures or devices, all types of PCB and distribution connectors) are factory-equipped with locking levers to ensure plugs and sockets are securely locked. Additional locking levers are only required for flying leads (plug/socket).

Cover Page 368

Tool Page 392

See technical section for further information

Approvals and corresponding ratings, visit www.wago.com

Pluggable connectors ▶ WINSTA® MINI ▶ 890 Series

Pole number: 2

Strain relief housing ▶ Female connector/socket ▶ Connectable sheathed cable diameter: 3.8 ... 8.2 mm ▶ Protection type: IP40

Strain relief housing ▶ Male connector/plug ▶ Connectable sheathed cable diameter: 3.8 ... 8.2 mm ▶ Protection type: IP40



890-202/342-000

890-212/342-000

General mains applications ▶ Strip length (outer insulation): 17.5 mm

Color	Coding	Marking	Item no.	PU
● black	A	L N	890-202/342-000	50

General mains applications ▶ Strip length (outer insulation): 17.5 mm

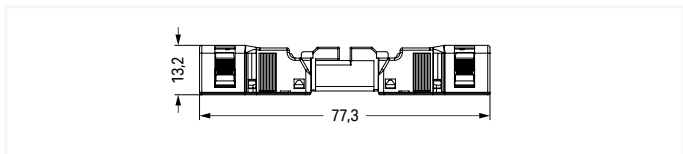
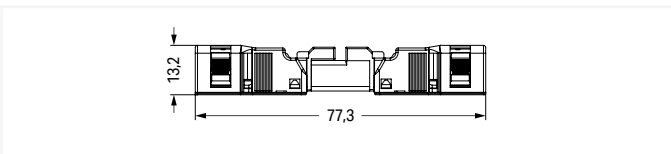
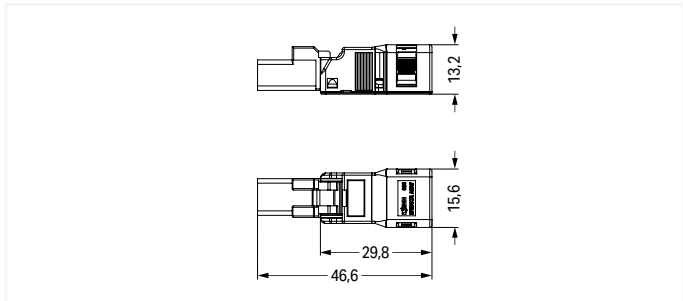
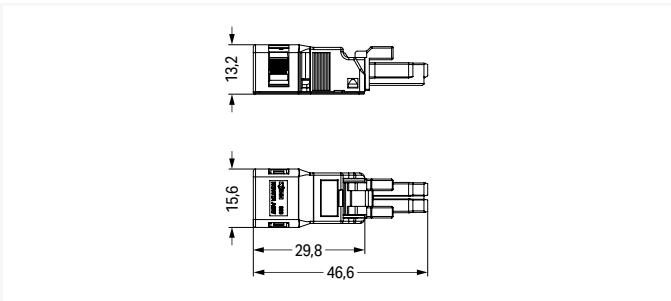
Color	Coding	Marking	Item no.	PU
● black	A	N L	890-212/342-000	50

General mains applications ▶ Strip length (outer insulation): 32 mm

Color	Coding	Marking	Item no.	PU
● black	A	L N	890-102	50
○ white	A	L N	890-122	50

General mains applications ▶ Strip length (outer insulation): 32 mm

Color	Coding	Marking	Item no.	PU
● black	A	N L	890-112	50
○ white	A	N L	890-132	50



Overall length when mated

Overall length when mated

Accessories; for all products on this page



Locking lever; for flying leads; manually operated

Color	Item no.	PU (SPU)
● black	890-101	100 (50)
○ white	890-121	100 (50)



Locking lever; for flying leads; tool operated

Color	Item no.	PU (SPU)
● black	890-111	100 (50)
○ white	890-131	100 (50)



Mounting carrier; for flying leads; 2- to 5-pole

Color	Item no.	PU
● black	890-310	100
○ white	890-311	100



Operating tool; for WAGO WINSTA® MINI Connectors; Pole number: 2

Color	Item no.	PU
● green	890-382	1

PU = packaging unit; SPU = subpackaging unit; Dimensions in mm

Pluggable connectors ▶ WINSTA® MINI ▶ 890 Series

Pole number: 2

Strain relief housing ▶ Female connector/socket ▶ Connectable sheathed cable diameter: 3.8 ... 8.2 mm ▶ Protection type: IP40

Strain relief housing ▶ Male connector/plug ▶ Connectable sheathed cable diameter: 3.8 ... 8.2 mm ▶ Protection type: IP40

1



890-202/342-000



890-212/342-000

General mains applications ▶ Strip length (outer insulation): 17.5 mm

Color	Coding	Marking	Item no.	PU
● black	A	L N	890-202/342-000	50

General mains applications ▶ Strip length (outer insulation): 32 mm

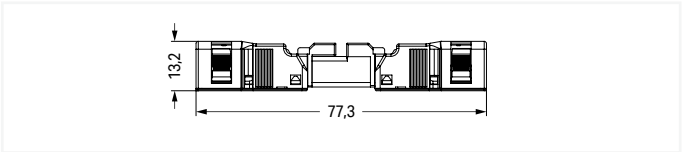
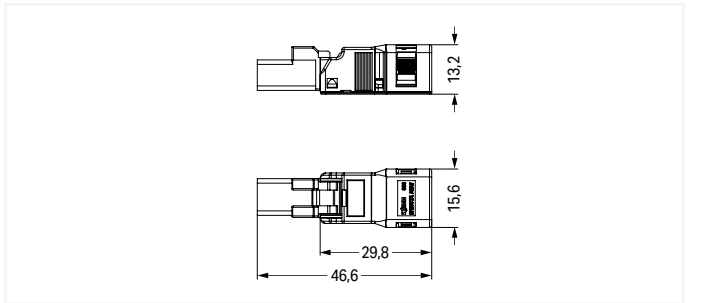
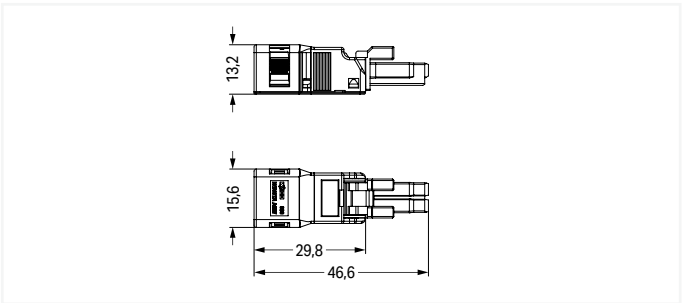
Color	Coding	Marking	Item no.	PU
● black	A	L N	890-102	50
○ white	A	L N	890-122	50

General mains applications ▶ Strip length (outer insulation): 17.5 mm

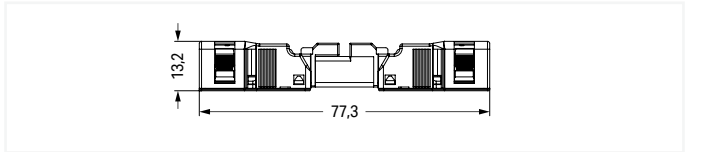
Color	Coding	Marking	Item no.	PU
● black	A	N L	890-212/342-000	50

General mains applications ▶ Strip length (outer insulation): 32 mm

Color	Coding	Marking	Item no.	PU
● black	A	N L	890-112	50
○ white	A	N L	890-132	50



Overall length when mated



Overall length when mated

Accessories; for all products on this page



Locking lever; for flying leads; manually operated

Color	Item no.	PU (SPU)
● black	890-101	100 (50)
○ white	890-121	100 (50)



Locking lever; for flying leads; tool operated

Color	Item no.	PU (SPU)
● black	890-111	100 (50)
○ white	890-131	100 (50)



Mounting carrier; for flying leads; 2- to 5-pole

Color	Item no.	PU
● black	890-310	100
○ white	890-311	100



Operating tool; for WAGO WINSTA® MINI Connectors; Pole number: 2

Color	Item no.	PU
● green	890-382	1

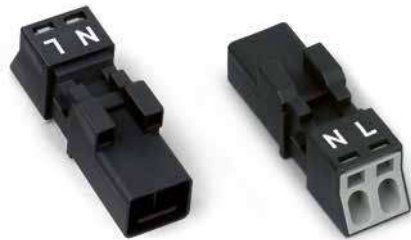
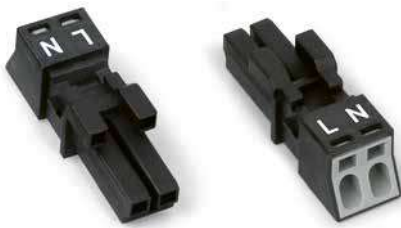
PU = packaging unit; SPU = subpackaging unit; Dimensions in mm

Pluggable connectors ▶ WINSTA® MINI ▶ 890 Series

Pole number: 2

Female connector/socket ▶ Protection type: IP20; IP40 with strain relief housing

Male connector/plug ▶ Protection type: IP20; IP40 when mated with strain relief housing



1

890-202

890-212

General mains applications

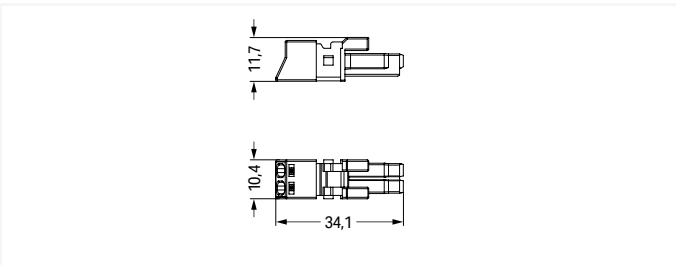
Color	Coding	Marking	Item no.	PU
● black	A	L N	890-202	50
○ white	A	L N	890-222	50

Control technology

Color	Coding	Marking	Item no.	PU
○ gray	B	1 2	890-242	50
○ gray	B	L N	890-242/060-000	50
● light green	B	1 2	890-262	50
● pink	B	1 2	890-282	50
● pink	B	I+ I-	890-282/080-000	50
● pink	B	+ -	890-282/082-000	50

DALI, Lighting Management

Color	Coding	Marking	Item no.	PU
● blue	I	+ -	890-1102	50



General mains applications

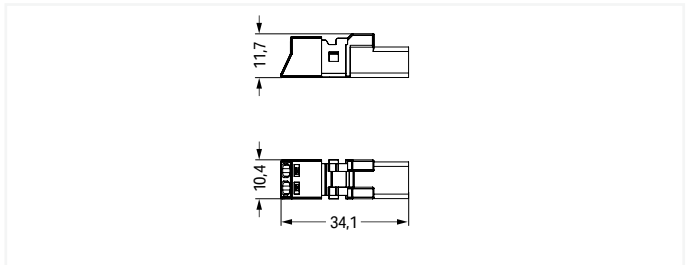
Color	Coding	Marking	Item no.	PU
● black	A	N L	890-212	50
○ white	A	N L	890-232	50

Control technology

Color	Coding	Marking	Item no.	PU
○ gray	B	2 1	890-252	50
○ gray	B	N L	890-252/060-000	50
● light green	B	2 1	890-272	50
● pink	B	2 1	890-292	50
● pink	B	I- I+	890-292/080-000	50
● pink	B	- +	890-292/082-000	50

DALI, Lighting Management

Color	Coding	Marking	Item no.	PU
● blue	I	- +	890-1112	50



Accessories; for all products on this page



Locking lever; for flying leads; manually operated

Color	Item no.	PU (SPU)
● black	890-101	100 (50)
○ white	890-121	100 (50)



Locking lever; for flying leads; tool operated

Color	Item no.	PU (SPU)
● black	890-111	100 (50)
○ white	890-131	100 (50)



Mounting carrier; for flying leads; 2- to 5-pole

Color	Item no.	PU
● black	890-310	100
○ white	890-311	100



Operating tool; for WAGO WINSTA® MINI Connectors; Pole number: 2

Color	Item no.	PU
● green	890-382	1



Strain relief housing; Connectable sheathed cable diameter: 3.8 ... 8.2 mm; Strip length (outer insulation): 32 mm

Color	Item no.	PU
● black	890-502	50
○ white	890-512	50



Strain relief housing; Connectable sheathed cable diameter: 3.8 ... 8.2 mm; Strip length (outer insulation): 17.5 mm

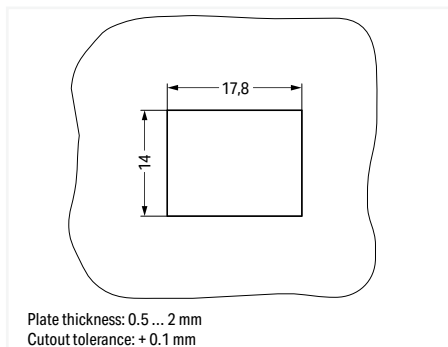
Color	Item no.	PU
● black	890-502/342-000	50
○ white	890-512/342-000	50

PU = packaging unit; SPU = subpackaging unit; Dimensions in mm

Snap-in device connector ► WINSTA® MINI ► 890 Series

Pole number: 2

1



- Protected against mismatching and maintenance-free
- Push-in CAGE CLAMP® spring pressure connection technology allows solid conductors to be simply pushed into a unit.
- Low profile with 4.4 mm pole spacing
- When assembled, the installation connectors comply with IP40 and are suitable for easily accessible areas.

Electrical data			
Coding	A; B; I		
Ratings per	IEC/EN 60664-1		
Overvoltage category	III	III	II
Pollution degree	3	2	2
Nominal voltage	250 V	-	-
Rated surge voltage	4 kV	-	-
Rated current	16 A	-	-
Approvals per	UL 1977		
Rated voltage	600 V		
Rated current	14 A		

Connection data	
Connection technology	Push-in CAGE CLAMP®
Strip length	9 mm / 0.35 inches
Nominal cross-section	1.5 mm ² / 16 AWG
Solid conductor	0.25 ... 1.5 mm ² / 22 ... 16 AWG
Solid conductor; push-in termination	0.75 ... 1.5 mm ² / 20 ... 16 AWG
Stranded conductor	0.25 ... 1 mm ² / 22 ... 18 AWG
Fine-stranded conductor	0.25 ... 1.5 mm ² / 22 ... 16 AWG
Fine-stranded conductor; with insulated ferrule	0.25 ... 0.75 mm ² / 22 ... 20 AWG
Fine-stranded conductor; with uninsulated ferrule	0.25 ... 0.75 mm ² / 22 ... 20 AWG
Fine-stranded conductor; with ferrule; push-in termination	0.75 mm ² / 20 AWG

Material Data	
Insulation material	Polyamide (PA66)
Flammability class per UL94	V0
Clamping spring material	Chrome-nickel spring steel (CrNi)
Contact material	Copper or copper alloy; surface-treated
Contact plating	Tin

Mechanical Data	
Number of mating cycles	200, without resistive load
Mating force of a plug-in connection	approx. 20 ... 70 N (depending on pole number)
Unmating force of a plug-in connection	Unlocked: approx. 20 ... 70 N (depending on pole number)
Retention force of a plug-in connection	Locked: > 80 N

Environmental requirements	
Processing temperature	-5 ... +40 °C
Continuous operating temperature	-35 ... +85 °C
Note on continuous operating temperature	Insulating parts for temperatures ≤ 105 °C

All WINSTA® components are 100% protected against mismatching when:

- plugging different numbers of poles
- plugging while rotated 180
- plugging while laterally staggered
- plugging one pole

All connectors for mounted installations (snap-in versions for lighting fixtures or devices, all types of PCB and distribution connectors) are factory-equipped with locking levers to ensure plugs and sockets are securely locked. Additional locking levers are only required for flying leads (plug/socket).

Tool Page 392

See technical section for further information

Approvals and corresponding ratings, visit www.wago.com

Snap-in device connector ▶ WINSTA® MINI ▶ 890 Series

Pole number: 2

Female connector/socket ▶ Protection type: IP40

Male connector/plug ▶ Protection type: IP20; IP40 when mated



1

890-702

890-712

General mains applications

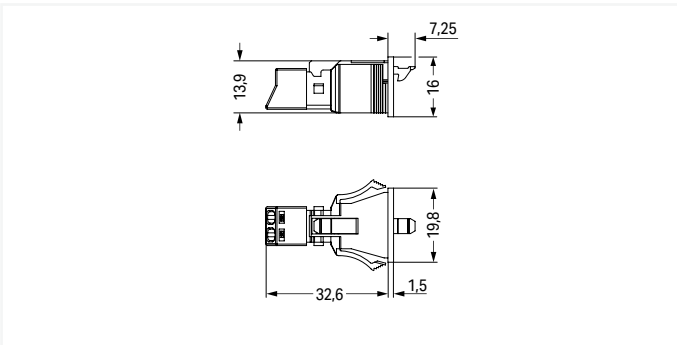
Color	Coding	Marking	Item no.	PU (SPU)
● black	A	L N	890-702	50 (50)
○ white	A	L N	890-722	50 (50)

Control technology

Color	Coding	Marking	Item no.	PU (SPU)
○ gray	B	1 2	890-742	50 (50)
○ gray	B	L N	890-742/060-000	50 (50)
● light green	B	1 2	890-762	50 (50)
● pink	B	1 2	890-782	50 (50)
● pink	B	I+ I-	890-782/080-000	50 (50)
● pink	B	+ -	890-782/082-000	50 (50)

DALI, Lighting Management

Color	Coding	Marking	Item no.	PU (SPU)
● blue	I	+ -	890-2102	50 (50)



General mains applications

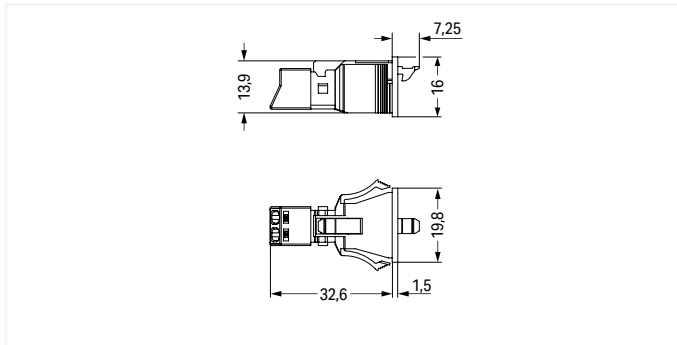
Color	Coding	Marking	Item no.	PU (SPU)
● black	A	N L	890-712	50 (50)
○ white	A	N L	890-732	50 (50)

Control technology

Color	Coding	Marking	Item no.	PU (SPU)
○ gray	B	2 1	890-752	50 (50)
○ gray	B	N L	890-752/060-000	50 (50)
● light green	B	2 1	890-772	50 (50)
● pink	B	2 1	890-792	50 (50)
● pink	B	I- I+	890-792/080-000	50 (50)
● pink	B	- +	890-792/082-000	50 (50)

DALI, Lighting Management

Color	Coding	Marking	Item no.	PU (SPU)
● blue	I	- +	890-2112	50 (50)



Accessories; for all products on this page



Operating tool; for WAGO WINSTA® MINI Connectors; Pole number: 2



Lockout cap; for cutout; Pole number: 2

Color	Item no.	PU
● green	890-382	1

Color	Item no.	PU
● black	890-642	100
○ white	890-692	100

PU = packaging unit; SPU = subpackaging unit; Dimensions in mm

Pluggable PCB connector ▶ WINSTA® MINI ▶ 890 Series

Pole number: 2

1



- Protected against mismatching and maintenance-free
- Push-in CAGE CLAMP® spring pressure connection technology allows solid conductors to be simply pushed into a unit.
- Low profile with 4.4 mm pole spacing

Electrical data			
Coding	A; B; I		
Ratings per	IEC/EN 60664-1		
Overvoltage category	III	III	II
Pollution degree	3	2	2
Nominal voltage	250 V	-	-
Rated surge voltage	4 kV	-	-
Rated current	16 A	-	-
Approvals per	UL 1977		
Rated voltage	600 V		
Rated current	14 A		
Material Data			
Material group	I		
Insulation material	Polyamide (PA66)		
Flammability class per UL94	V0		
Clamping spring material	Chrome-nickel spring steel (CrNi)		
Contact material	Copper or copper alloy; surface-treated		
Contact plating	Tin		
Mechanical Data			
Solder pin arrangement	2 in-line solder pins/pole		
Number of solder pins per potential	2		
Solder pin length	3.5 mm		
Solder pin dimensions	1 x 0.8 mm		
Drilled hole diameter with tolerance	1.3 ^(+0.1) mm		
Mating force of a plug-in connection	approx. 20 ... 70 N (depending on pole number)		
Unmating force of a plug-in connection	Unlocked: approx. 20 ... 70 N (depending on pole number)		
Retention force of a plug-in connection	Locked: > 80 N		
Environmental requirements			
Processing temperature	-5 ... +40 °C		
Continuous operating temperature	-35 ... +85 °C		
Note on continuous operating temperature	Insulating parts for temperatures ≤ 105 °C		

All WINSTA® components are 100% protected against mismatching when:

- plugging different numbers of poles
- plugging while rotated 180
- plugging while laterally staggered
- plugging one pole

All connectors for mounted installations (snap-in versions for lighting fixtures or devices, all types of PCB and distribution connectors) are factory-equipped with locking levers to ensure plugs and sockets are securely locked. Additional locking levers are only required for flying leads (plug/socket).

See technical section for further information

Approvals and corresponding ratings, visit www.wago.com

Pluggable PCB connector ▶ WINSTA® MINI ▶ 890 Series

Pole number: 2

straight ▶ Female connector/socket

straight ▶ Male connector/plug



890-802

General mains applications				
Color	Coding	Marking	Item no.	PU
● black	A	L N	890-802	100
○ white	A	L N	890-822	100

Control technology				
Color	Coding	Marking	Item no.	PU
○ gray	B	1 2	890-842	100
● light green	B	1 2	890-862	100
● pink	B	1 2	890-882	100

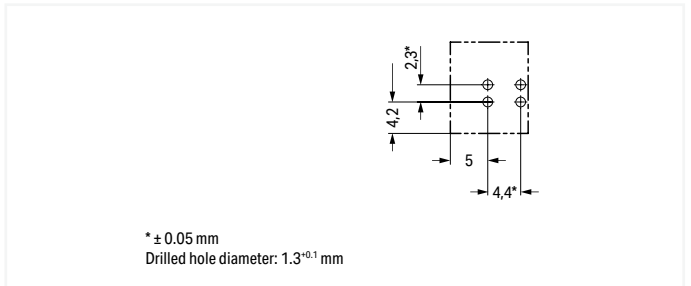
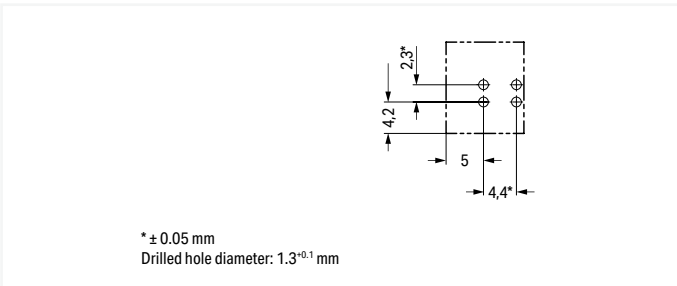
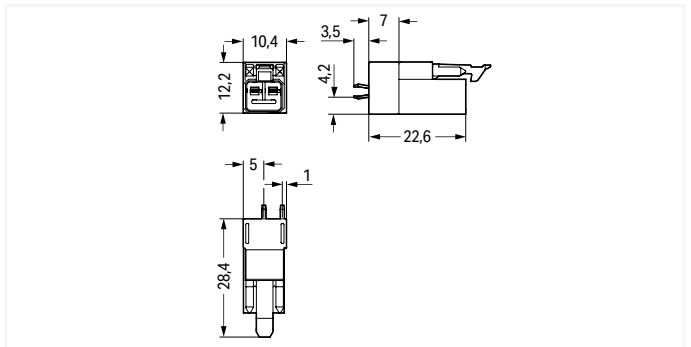
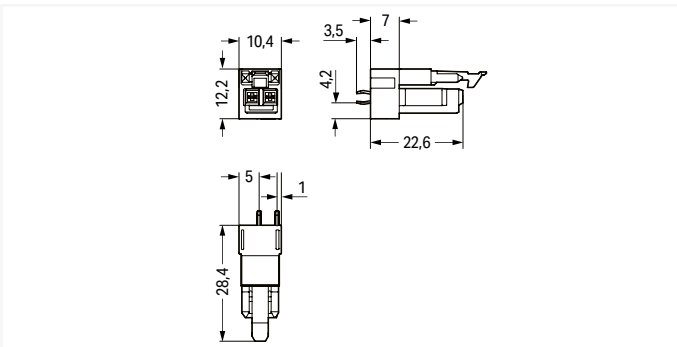
DALI, Lighting Management				
Color	Coding	Marking	Item no.	PU
● blue	I	+ -	890-3102	100

890-812

General mains applications				
Color	Coding	Marking	Item no.	PU
● black	A	N L	890-812	100
○ white	A	N L	890-832	100

Control technology				
Color	Coding	Marking	Item no.	PU
○ gray	B	2 1	890-852	100
● light green	B	2 1	890-872	100
● pink	B	2 1	890-892	100

DALI, Lighting Management				
Color	Coding	Marking	Item no.	PU
● blue	I	- +	890-3112	100



PU = packaging unit; SPU = subpackaging unit; Dimensions in mm

Pluggable PCB connector ▶ WINSTA® MINI ▶ 890 Series

Pole number: 2

angled ▶ Female connector/socket

angled ▶ Male connector/plug

1



890-802/011-000

890-812/011-000

General mains applications

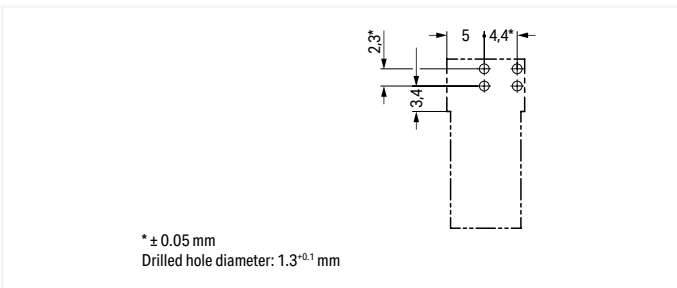
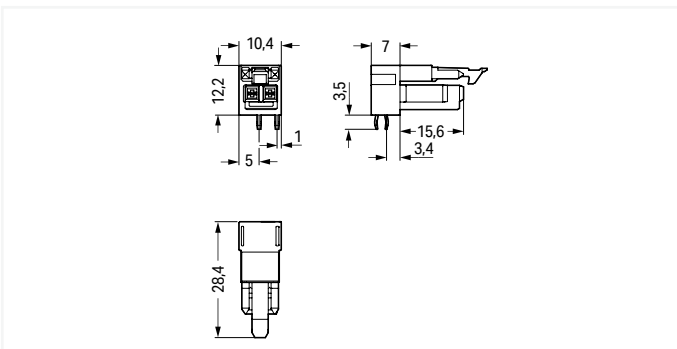
Color	Coding	Marking	Item no.	PU
● black	A	L N	890-802/011-000	100
○ white	A	L N	890-822/011-000	100

Control technology

Color	Coding	Marking	Item no.	PU
○ gray	B	1 2	890-842/011-000	100
● light green	B	1 2	890-862/011-000	100
● pink	B	1 2	890-882/011-000	100

DALI, Lighting Management

Color	Coding	Marking	Item no.	PU
● blue	I	+ -	890-3102/011-000	100



General mains applications

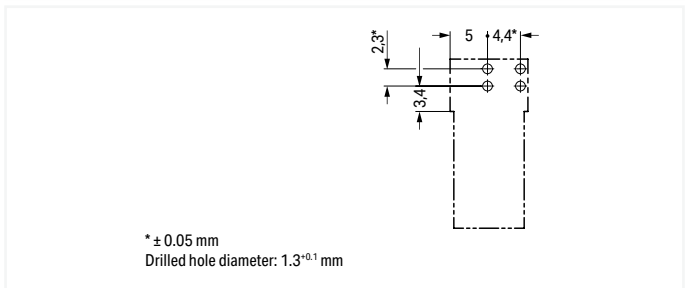
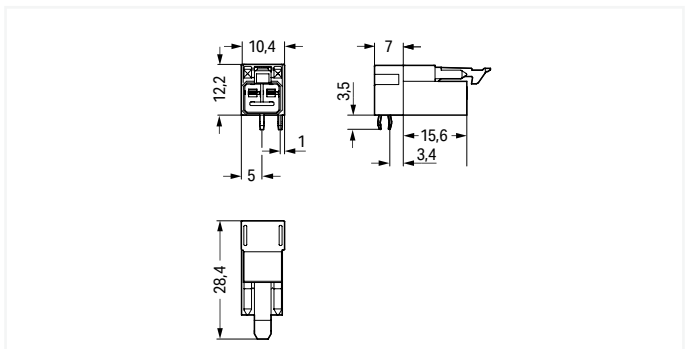
Color	Coding	Marking	Item no.	PU
● black	A	N L	890-812/011-000	100
○ white	A	N L	890-832/011-000	100

Control technology

Color	Coding	Marking	Item no.	PU
○ gray	B	2 1	890-852/011-000	100
● light green	B	2 1	890-872/011-000	100
● pink	B	2 1	890-892/011-000	100

DALI, Lighting Management

Color	Coding	Marking	Item no.	PU
● blue	I	- +	890-3112/011-000	100



PU = packaging unit; SPU = subpackaging unit; Dimensions in mm

Distribution connector ▶ WINSTA® MINI ▶ 890 Series

Pole number: 2 ▶ Protection type: IP20; IP40 when mated



- Protected against mismatching and maintenance-free
- Low profile with 4.4 mm pole spacing

Electrical data			
Coding	A; B; I		
Ratings per	IEC/EN 60664-1		
Overvoltage category	III	III	II
Pollution degree	3	2	2
Nominal voltage	250 V	-	-
Rated surge voltage	4 kV	-	-
Rated current	16 A	-	-
Approvals per	UL 1977		
Rated voltage	600 V		
Rated current	14 A		
Material Data			
Material group	I		
Insulation material	Polyamide (PA66)		
Flammability class per UL94	V0		
Contact material	Copper or copper alloy; surface-treated		
Contact plating	Tin		
Mechanical Data			
Number of mating cycles	200, without resistive load		
Mating force of a plug-in connection	Approx. 20 ... 70 N (depending on pole number)		
Unmating force of a plug-in connection	Unlocked: approx. 20 ... 70 N (depending on pole number)		
Retention force of a plug-in connection	When locked: > 80 N		
Protection type	IP20		
Note on protection type	IP40 when mated		
Environmental requirements			
Processing temperature	-5 ... +40 °C		
Continuous operating temperature	-35 ... +85 °C		
Note on continuous operating temperature	Insulating parts for temperatures ≤ 105 °C		

All WINSTA® components are 100% protected against mismatching when:

- plugging different numbers of poles
- plugging while rotated 180
- plugging while laterally staggered
- plugging one pole

All connectors for mounted installations (snap-in versions for lighting fixtures or devices, all types of PCB and distribution connectors) are factory-equipped with locking levers to ensure plugs and sockets are securely locked. Additional locking levers are only required for flying leads (plug/socket).

See technical section for further information

Approvals and corresponding ratings, visit www.wago.com

Distribution connector ▶ WINSTA® MINI ▶ 890 Series

Pole number: 2 ▶ Protection type: IP20; IP40 when mated

T-distribution connector ▶ Number of locking levers: 2

T-distribution connector ▶ Number of locking levers: 3 ▶ for flying leads



1

890-1606

890-1615

General mains applications

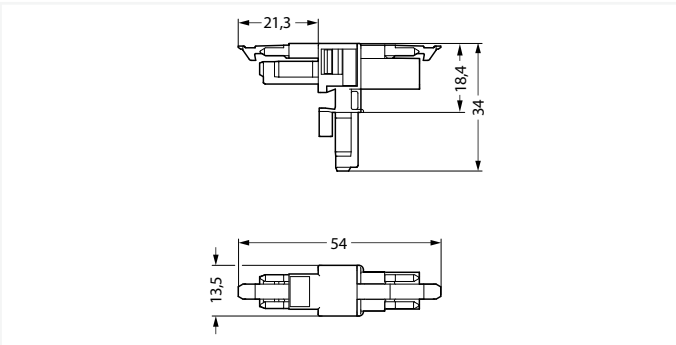
Color	Coding	Marking	Item no.	PU
● black	A	L N	890-1606	25
○ white	A	L N	890-1656	25

Control technology

Color	Coding	Marking	Item no.	PU
○ gray	B	1 2	890-1601	25
● light green	B	1 2	890-1602	25
● pink	B	1 2	890-1603	25

DALI, Lighting Management

Color	Coding	Marking	Item no.	PU
● blue	I	+ -	890-1617	25



General mains applications

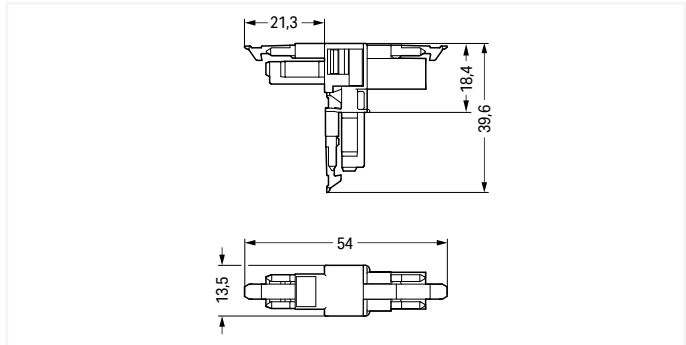
Color	Coding	Marking	Item no.	PU
● black	A	L N	890-1615	25
○ white	A	L N	890-1665	25

Control technology

Color	Coding	Marking	Item no.	PU
○ gray	B	1 2	890-1701	25
● light green	B	1 2	890-1702	25
● pink	B	1 2	890-1703	25

DALI, Lighting Management

Color	Coding	Marking	Item no.	PU
● blue	I	+ -	890-1620	25



PU = packaging unit; SPU = subpackaging unit; Dimensions in mm

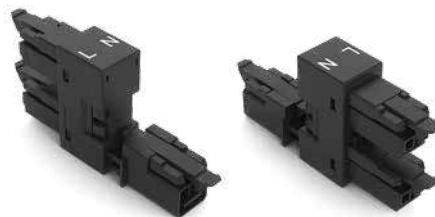
Distribution connector ▶ WINSTA® MINI ▶ 890 Series

Pole number: 2 ▶ Protection type: IP20; IP40 when mated

h-distribution connector, outputs on one side ▶ Number of locking levers: 2

h-distribution connector, outputs on one side ▶ Number of locking levers: 3 ▶ for flying leads

1

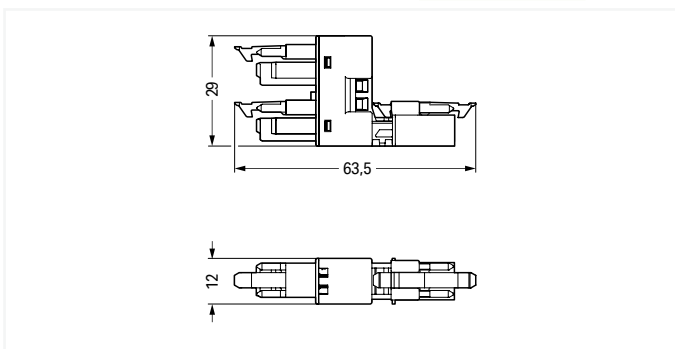
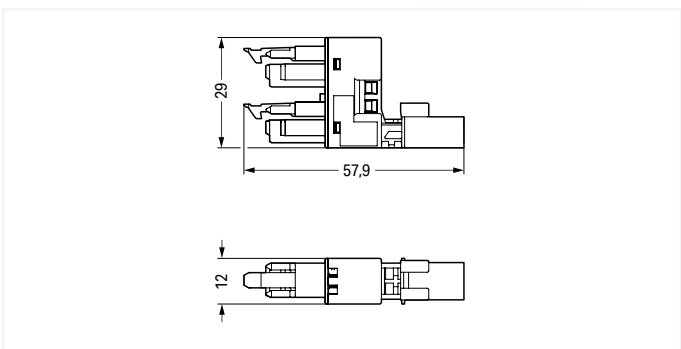


890-1634

890-1636

General mains applications				
Color	Coding	Marking	Item no.	PU
● black	A	L N	890-1634	50
○ white	A	L N	890-1684	50

General mains applications				
Color	Coding	Marking	Item no.	PU
● black	A	L N	890-1636	50
○ white	A	L N	890-1686	50



Accessories; for all products on this page



Mounting plate; for distribution connectors (except T-distribution connectors); 2-pole

Color	Item no.	PU
● black	890-1622	50
○ white	890-1672	50

PU = packaging unit; SPU = subpackaging unit; Dimensions in mm

Distribution connector ▶ WINSTA® MINI ▶ 890 Series

Pole number: 2 ▶ Protection type: IP20; IP40 when mated

Distribution connector, 3-way ▶ Number of locking levers: 4

Distribution connector, 5-way ▶ Number of locking levers: 6



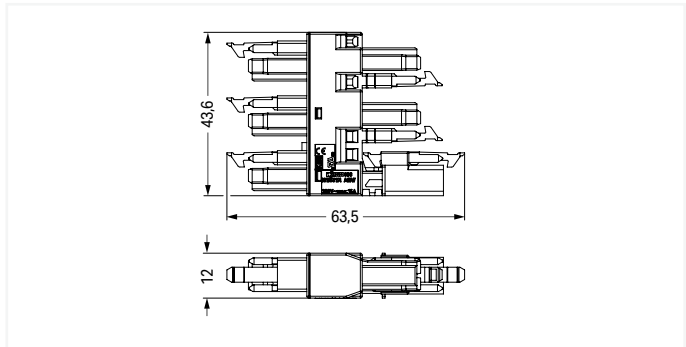
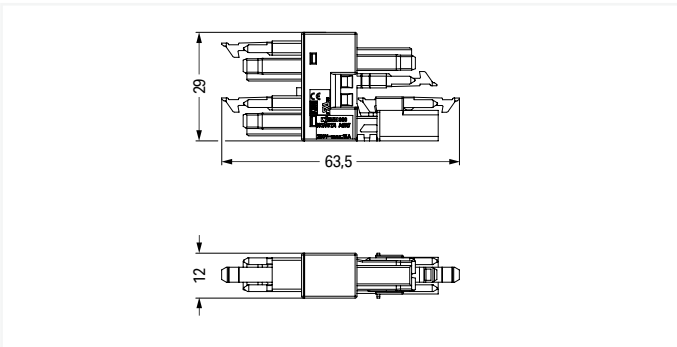
1

890-1904

890-1907

DALI, Lighting Management				
Color	Coding	Marking	Item no.	PU
● blue	I	+ -	890-1904	50

DALI, Lighting Management				
Color	Coding	Marking	Item no.	PU
● blue	I	+ -	890-1907	50



Accessories; for all products on this page



Mounting plate; for distribution connectors (except T-distribution connectors); 2-pole

Color	Item no.	PU
● black	890-1622	50
○ white	890-1672	50

PU = packaging unit; SPU = subpackaging unit; Dimensions in mm

Cable assembly ▶ WINSTA® MINI ▶ 891 Series

Pole number: 2 ▶ Fire class per EN 50575: E_{ca}

1



- Protected against mismatching and maintenance-free
- Low profile with 4.4 mm pole spacing

Electrical data						
Coding	A; B			A; B; I		
Wire cross-section	1 mm ²			1.5 mm ²		
Ratings per	IEC/EN 60664-1			IEC/EN 60664-1		
Overtoltage category	III	III	II	III	III	II
Pollution degree	3	2	2	3	2	2
Nominal voltage	250 V	-	-	250 V	-	-
Rated surge voltage	4 kV	-	-	4 kV	-	-
Rated current	10 A	-	-	16 A	-	-
Material Data						
Insulation material	Polyamide (PA66)					
Contact material	Copper or copper alloy; surface-treated					
Fire class per EN 50575	E _{ca}					
Mechanical Data						
Number of mating cycles	200, without resistive load					
Mating force of a plug-in connection	approx. 20 ... 70 N (depending on pole number)					
Unmating force of a plug-in connection	when unlocked: approx. 20 ... 70 N (depending on pole number)					
Retention force of a plug-in connection	when locked: > 80 N					
Environmental requirements						
Processing temperature	-5 ... +40 °C					
Continuous operating temperature	-35 ... +85 °C					
Note on continuous operating temperature	Cable for temperatures ≤ 70 °C (including halogen-free) Insulating parts for temperatures ≤ 105 °C					

Cables with a different fire class can be found in the eS-hop.

All WINSTA® components are 100% protected against mismatching when:

- plugging different numbers of poles
- plugging while rotated 180
- plugging while laterally staggered
- plugging one pole

All connectors for mounted installations (snap-in versions for lighting fixtures or devices, all types of PCB and distribution connectors) are factory-equipped with locking levers to ensure plugs and sockets are securely locked. Additional locking levers are only required for flying leads (plug/socket).

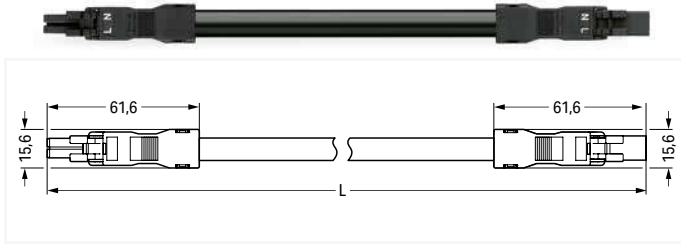
Cover Page 368

See technical section for further information

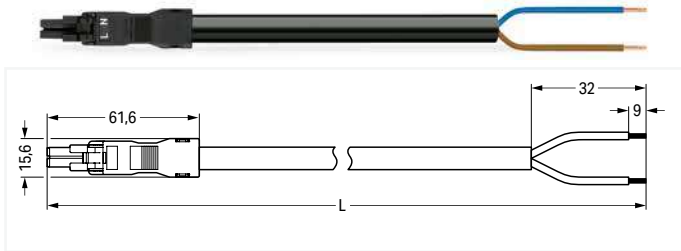
Approvals and corresponding ratings, visit www.wago.com

Cable assembly ▶ WINSTA® MINI ▶ 891 Series

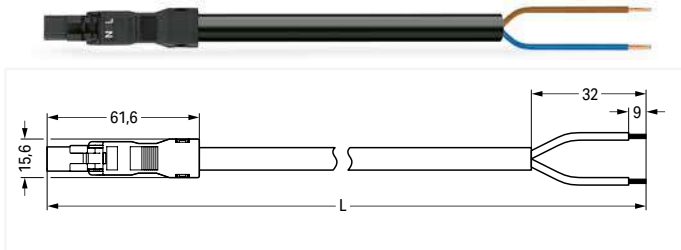
Pole number: 2 ▶ Fire class per EN 50575: E_{ca} ▶ Coding: A ▶ 1 mm² ▶ Marking: L N ▶ PVC ▶
 Sheathed cable diameter: 5.9 ... 7.5 mm ▶ H05VV-F 2x1 ▶ General mains applications



Interconnecting cable ▶ Socket - Plug ▶ Protection type: IP20; IP40 when mated			
Total length	Connector color / Strain relief color		PU
	black / black	white / white	
1 m	891-8992/005-101	891-8992/005-102	1
2 m	891-8992/005-201	891-8992/005-202	1
3 m	891-8992/005-301	891-8992/005-302	1
4 m	891-8992/005-401	891-8992/005-402	1
5 m	891-8992/005-501	891-8992/005-502	1
6 m	891-8992/005-601	891-8992/005-602	1
7 m	891-8992/005-701	891-8992/005-702	1
8 m	891-8992/005-801	891-8992/005-802	1



Connecting cable ▶ Socket - free end ▶ Protection type: IP40			
Total length	Connector color / Strain relief color		PU
	black / black	white / white	
1 m	891-8992/105-101	891-8992/105-102	1
2 m	891-8992/105-201	891-8992/105-202	1
3 m	891-8992/105-301	891-8992/105-302	1
4 m	891-8992/105-401	891-8992/105-402	1
5 m	891-8992/105-501	891-8992/105-502	1
6 m	891-8992/105-601	891-8992/105-602	1
7 m	891-8992/105-701	891-8992/105-702	1
8 m	891-8992/105-801	891-8992/105-802	1



Connecting cable ▶ Plug - free end ▶ Protection type: IP20; IP40 when mated			
Total length	Connector color / Strain relief color		PU
	black / black	white / white	
1 m	891-8992/205-101	891-8992/205-102	1
2 m	891-8992/205-201	891-8992/205-202	1
3 m	891-8992/205-301	891-8992/205-302	1
4 m	891-8992/205-401	891-8992/205-402	1
5 m	891-8992/205-501	891-8992/205-502	1
6 m	891-8992/205-601	891-8992/205-602	1
7 m	891-8992/205-701	891-8992/205-702	1
8 m	891-8992/205-801	891-8992/205-802	1

Accessories; for all products on this page



Locking lever; for flying leads; manually operated



Locking lever; for flying leads; tool operated



Mounting carrier; for flying leads; 2- to 5-pole

Color	Item no.	PU (SPU)
● black	890-101	100 (50)
○ white	890-121	100 (50)

Color	Item no.	PU (SPU)
● black	890-111	100 (50)
○ white	890-131	100 (50)

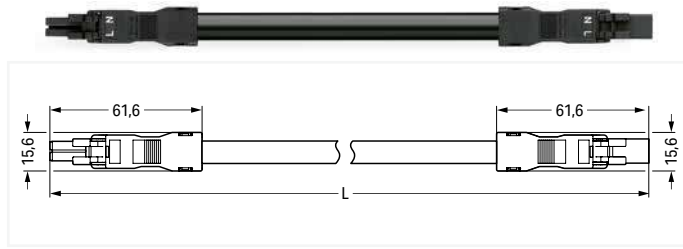
Color	Item no.	PU
● black	890-310	100
○ white	890-311	100

PU = packaging unit; SPU = subpackaging unit; Dimensions in mm

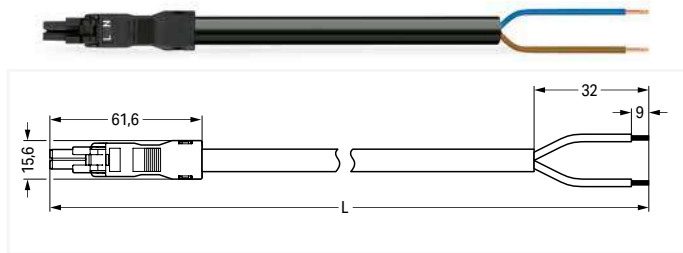
Cable assembly ▶ WINSTA® MINI ▶ 891 Series

Pole number: 2 ▶ Fire class per EN 50575: E_{ca} ▶ Coding: A ▶ 1 mm² ▶ Marking: L N ▶ Halogen-free
 ▶ Sheathed cable diameter: 5.9 ... 7.5 mm ▶ H05Z1Z1-F 2x1 ▶ General mains applications

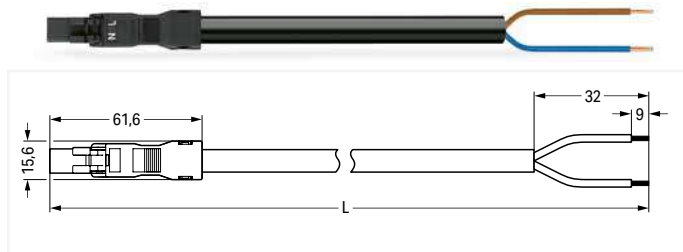
1



Interconnecting cable ▶ Socket - Plug ▶ Protection type: IP20; IP40 when mated			
Total length	Connector color / Strain relief color		PU
	black / black	white / white	
1 m	891-8992/015-101	891-8992/015-102	1
2 m	891-8992/015-201	891-8992/015-202	1
3 m	891-8992/015-301	891-8992/015-302	1
4 m	891-8992/015-401	891-8992/015-402	1
5 m	891-8992/015-501	891-8992/015-502	1
6 m	891-8992/015-601	891-8992/015-602	1
7 m	891-8992/015-701	891-8992/015-702	1
8 m	891-8992/015-801	891-8992/015-802	1



Connecting cable ▶ Socket - free end ▶ Protection type: IP40			
Total length	Connector color / Strain relief color		PU
	black / black	white / white	
1 m	891-8992/115-101	891-8992/115-102	1
2 m	891-8992/115-201	891-8992/115-202	1
3 m	891-8992/115-301	891-8992/115-302	1
4 m	891-8992/115-401	891-8992/115-402	1
5 m	891-8992/115-501	891-8992/115-502	1
6 m	891-8992/115-601	891-8992/115-602	1
7 m	891-8992/115-701	891-8992/115-702	1
8 m	891-8992/115-801	891-8992/115-802	1



Connecting cable ▶ Plug - free end ▶ Protection type: IP20; IP40 when mated			
Total length	Connector color / Strain relief color		PU
	black / black	white / white	
1 m	891-8992/215-101	891-8992/215-102	1
2 m	891-8992/215-201	891-8992/215-202	1
3 m	891-8992/215-301	891-8992/215-302	1
4 m	891-8992/215-401	891-8992/215-402	1
5 m	891-8992/215-501	891-8992/215-502	1
6 m	891-8992/215-601	891-8992/215-602	1
7 m	891-8992/215-701	891-8992/215-702	1
8 m	891-8992/215-801	891-8992/215-802	1

Accessories; for all products on this page



Locking lever; for flying leads; manually operated



Locking lever; for flying leads; tool operated



Mounting carrier; for flying leads; 2- to 5-pole

Color	Item no.	PU (SPU)
● black	890-101	100 (50)
○ white	890-121	100 (50)

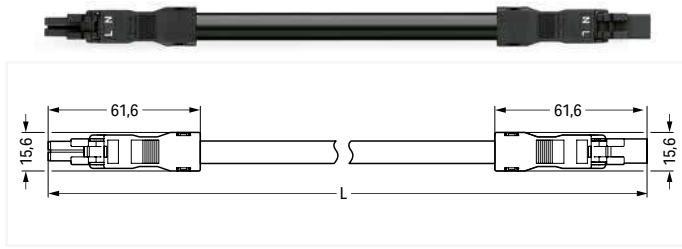
Color	Item no.	PU (SPU)
● black	890-111	100 (50)
○ white	890-131	100 (50)

Color	Item no.	PU
● black	890-310	100
○ white	890-311	100

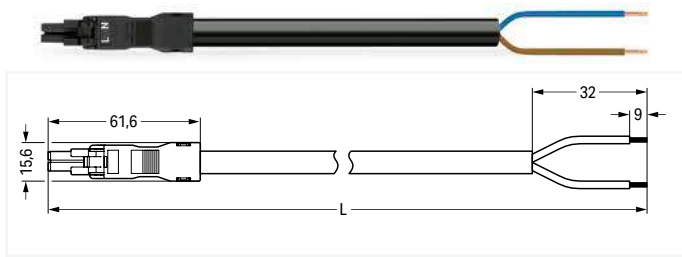
PU = packaging unit; SPU = subpackaging unit; Dimensions in mm

Cable assembly ▶ WINSTA® MINI ▶ 891 Series

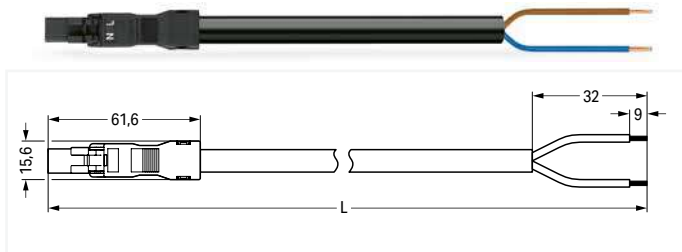
Pole number: 2 ▶ Fire class per EN 50575: E_{ca} ▶ Coding: A ▶ 1.5 mm² ▶ Marking: L N ▶ PVC ▶ Sheathed cable diameter: 6.8 ... 8.6 mm ▶ H05VV-F 2x1.5 ▶ General mains applications



Interconnecting cable ▶ Socket - Plug ▶ Protection type: IP20; IP40 when mated			
Total length	Connector color / Strain relief color		PU
	black / black	white / white	
1 m	891-8992/006-101	891-8992/006-102	1
2 m	891-8992/006-201	891-8992/006-202	1
3 m	891-8992/006-301	891-8992/006-302	1
4 m	891-8992/006-401	891-8992/006-402	1
5 m	891-8992/006-501	891-8992/006-502	1
6 m	891-8992/006-601	891-8992/006-602	1
7 m	891-8992/006-701	891-8992/006-702	1
8 m	891-8992/006-801	891-8992/006-802	1



Connecting cable ▶ Socket - free end ▶ Protection type: IP40			
Total length	Connector color / Strain relief color		PU
	black / black	white / white	
1 m	891-8992/106-101	891-8992/106-102	1
2 m	891-8992/106-201	891-8992/106-202	1
3 m	891-8992/106-301	891-8992/106-302	1
4 m	891-8992/106-401	891-8992/106-402	1
5 m	891-8992/106-501	891-8992/106-502	1
6 m	891-8992/106-601	891-8992/106-602	1
7 m	891-8992/106-701	891-8992/106-702	1
8 m	891-8992/106-801	891-8992/106-802	1



Connecting cable ▶ Plug - free end ▶ Protection type: IP20; IP40 when mated			
Total length	Connector color / Strain relief color		PU
	black / black	white / white	
1 m	891-8992/206-101	891-8992/206-102	1
2 m	891-8992/206-201	891-8992/206-202	1
3 m	891-8992/206-301	891-8992/206-302	1
4 m	891-8992/206-401	891-8992/206-402	1
5 m	891-8992/206-501	891-8992/206-502	1
6 m	891-8992/206-601	891-8992/206-602	1
7 m	891-8992/206-701	891-8992/206-702	1
8 m	891-8992/206-801	891-8992/206-802	1

Accessories; for all products on this page

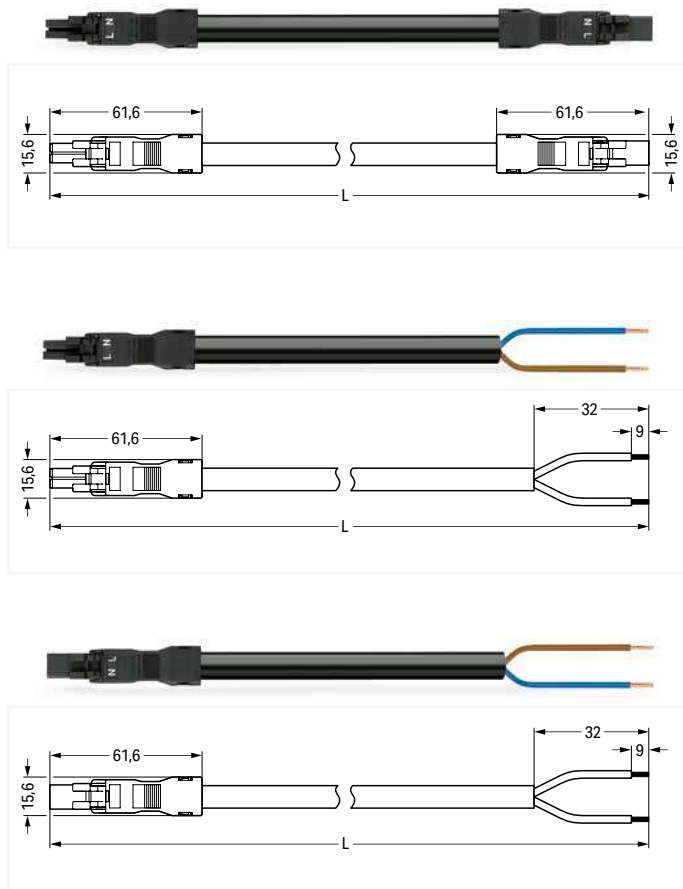
	Locking lever; for flying leads; manually operated		Locking lever; for flying leads; tool operated		Mounting carrier; for flying leads; 2- to 5-pole			
Color	Item no.	PU (SPU)	Color	Item no.	PU (SPU)	Color	Item no.	PU
● black	890-101	100 (50)	● black	890-111	100 (50)	● black	890-310	100
○ white	890-121	100 (50)	○ white	890-131	100 (50)	○ white	890-311	100

PU = packaging unit; SPU = subpackaging unit; Dimensions in mm

Cable assembly ▶ WINSTA® MINI ▶ 891 Series

Pole number: 2 ▶ Fire class per EN 50575: E_{ca} ▶ Coding: A ▶ 1.5 mm² ▶ Marking: L N ▶ Halogen-free ▶ Sheathed cable diameter: 6.8 ... 8.6 mm ▶ H05Z1Z1-F 2x1.5 ▶ General mains applications

1



Interconnecting cable ▶ Socket - Plug ▶ Protection type: IP20; IP40 when mated

Total length	Connector color / Strain relief color		PU
	black / black	white / white	
1 m	891-8992/016-101	891-8992/016-102	1
2 m	891-8992/016-201	891-8992/016-202	1
3 m	891-8992/016-301	891-8992/016-302	1
4 m	891-8992/016-401	891-8992/016-402	1
5 m	891-8992/016-501	891-8992/016-502	1
6 m	891-8992/016-601	891-8992/016-602	1
7 m	891-8992/016-701	891-8992/016-702	1
8 m	891-8992/016-801	891-8992/016-802	1

Connecting cable ▶ Socket - free end ▶ Protection type: IP40

Total length	Connector color / Strain relief color		PU
	black / black	white / white	
1 m	891-8992/116-101	891-8992/116-102	1
2 m	891-8992/116-201	891-8992/116-202	1
3 m	891-8992/116-301	891-8992/116-302	1
4 m	891-8992/116-401	891-8992/116-402	1
5 m	891-8992/116-501	891-8992/116-502	1
6 m	891-8992/116-601	891-8992/116-602	1
7 m	891-8992/116-701	891-8992/116-702	1
8 m	891-8992/116-801	891-8992/116-802	1

Connecting cable ▶ Plug - free end ▶ Protection type: IP20; IP40 when mated

Total length	Connector color / Strain relief color		PU
	black / black	white / white	
1 m	891-8992/216-101	891-8992/216-102	1
2 m	891-8992/216-201	891-8992/216-202	1
3 m	891-8992/216-301	891-8992/216-302	1
4 m	891-8992/216-401	891-8992/216-402	1
5 m	891-8992/216-501	891-8992/216-502	1
6 m	891-8992/216-601	891-8992/216-602	1
7 m	891-8992/216-701	891-8992/216-702	1
8 m	891-8992/216-801	891-8992/216-802	1

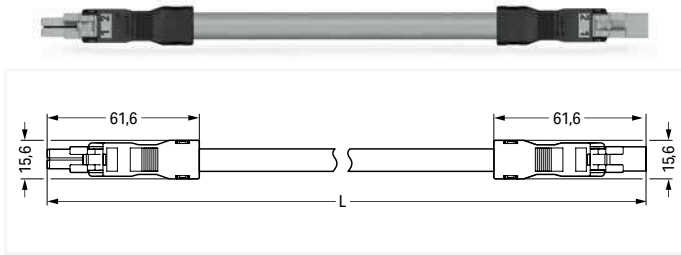
Accessories; for all products on this page

	Locking lever; for flying leads; manually operated		Locking lever; for flying leads; tool operated		Mounting carrier; for flying leads; 2- to 5-pole			
Color	Item no.	PU (SPU)	Color	Item no.	PU (SPU)	Color	Item no.	PU
● black	890-101	100 (50)	● black	890-111	100 (50)	● black	890-310	100
○ white	890-121	100 (50)	○ white	890-131	100 (50)	○ white	890-311	100

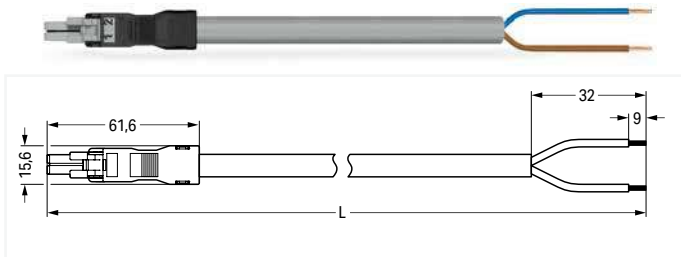
PU = packaging unit; SPU = subpackaging unit; Dimensions in mm

Cable assembly ▶ WINSTA® MINI ▶ 891 Series

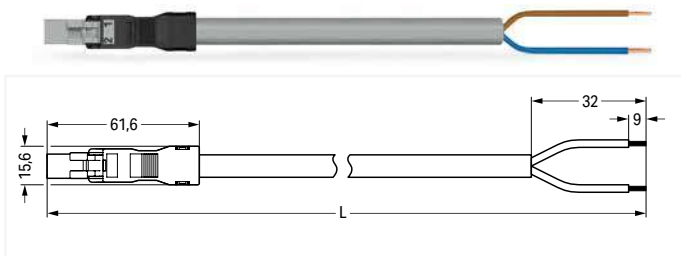
Pole number: 2 ▶ Fire class per EN 50575: E_{ca} ▶ Coding: B ▶ 1 mm² ▶ Marking: 1 2 ▶ PVC ▶ Sheathed cable diameter: 5.9 ... 7.5 mm ▶ Control line 2 x 1 ▶ Control technology



Interconnecting cable ▶ Socket - Plug ▶ Protection type: IP20; IP40 when mated				
Total length	Connector color / Strain relief color			PU
	gray / black	light green / black	pink / black	
1 m	891-8992/005-103	891-8992/005-105	891-8992/005-107	1
2 m	891-8992/005-203	891-8992/005-205	891-8992/005-207	1
3 m	891-8992/005-303	891-8992/005-305	891-8992/005-307	1
4 m	891-8992/005-403	891-8992/005-405	891-8992/005-407	1
5 m	891-8992/005-503	891-8992/005-505	891-8992/005-507	1
6 m	891-8992/005-603	891-8992/005-605	891-8992/005-607	1
7 m	891-8992/005-703	891-8992/005-705	891-8992/005-707	1
8 m	891-8992/005-803	891-8992/005-805	891-8992/005-807	1



Connecting cable ▶ Socket - free end ▶ Protection type: IP40				
Total length	Connector color / Strain relief color			PU
	gray / black	light green / black	pink / black	
1 m	891-8992/105-103	891-8992/105-105	891-8992/105-107	1
2 m	891-8992/105-203	891-8992/105-205	891-8992/105-207	1
3 m	891-8992/105-303	891-8992/105-305	891-8992/105-307	1
4 m	891-8992/105-403	891-8992/105-405	891-8992/105-407	1
5 m	891-8992/105-503	891-8992/105-505	891-8992/105-507	1
6 m	891-8992/105-603	891-8992/105-605	891-8992/105-607	1
7 m	891-8992/105-703	891-8992/105-705	891-8992/105-707	1
8 m	891-8992/105-803	891-8992/105-805	891-8992/105-807	1



Connecting cable ▶ Plug - free end ▶ Protection type: IP20; IP40 when mated				
Total length	Connector color / Strain relief color			PU
	gray / black	light green / black	pink / black	
1 m	891-8992/205-103	891-8992/205-105	891-8992/205-107	1
2 m	891-8992/205-203	891-8992/205-205	891-8992/205-207	1
3 m	891-8992/205-303	891-8992/205-305	891-8992/205-307	1
4 m	891-8992/205-403	891-8992/205-405	891-8992/205-407	1
5 m	891-8992/205-503	891-8992/205-505	891-8992/205-507	1
6 m	891-8992/205-603	891-8992/205-605	891-8992/205-607	1
7 m	891-8992/205-703	891-8992/205-705	891-8992/205-707	1
8 m	891-8992/205-803	891-8992/205-805	891-8992/205-807	1

Accessories; for all products on this page



Locking lever; for flying leads; manually operated



Locking lever; for flying leads; tool operated



Mounting carrier; for flying leads; 2- to 5-pole

Color	Item no.	PU (SPU)
● black	890-101	100 (50)
○ white	890-121	100 (50)

Color	Item no.	PU (SPU)
● black	890-111	100 (50)
○ white	890-131	100 (50)

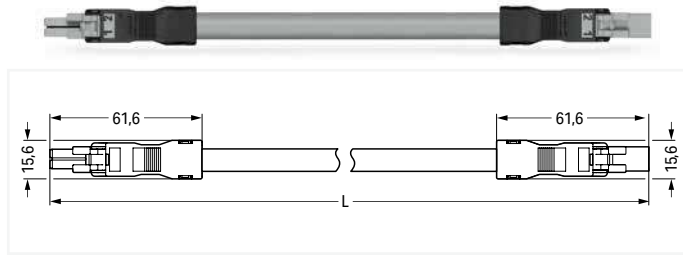
Color	Item no.	PU
● black	890-310	100
○ white	890-311	100

PU = packaging unit; SPU = subpackaging unit; Dimensions in mm

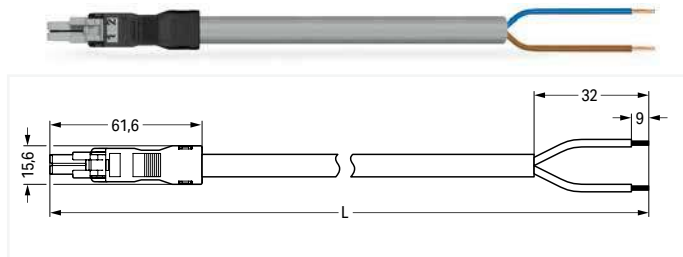
Cable assembly ▶ WINSTA® MINI ▶ 891 Series

Pole number: 2 ▶ Fire class per EN 50575: E_{ca} ▶ Coding: B ▶ 1.5 mm² ▶ Marking: 1 2 ▶ PVC ▶ Sheathed cable diameter: 6.8 ... 8.6 mm ▶ Control line 2 x 1.5 ▶ Control technology

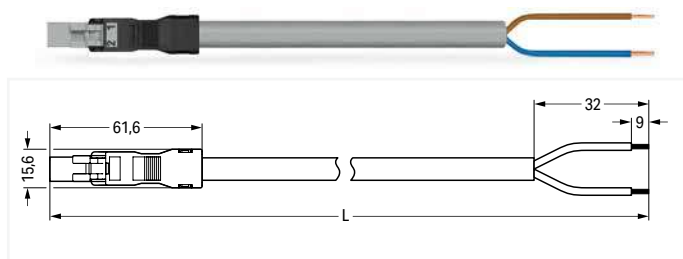
1



Interconnecting cable ▶ Socket - Plug ▶ Protection type: IP20; IP40 when mated				
Total length	Connector color / Strain relief color			PU
	gray / black	light green / black	pink / black	
1 m	891-8992/006-103	891-8992/006-105	891-8992/006-107	1
2 m	891-8992/006-203	891-8992/006-205	891-8992/006-207	1
3 m	891-8992/006-303	891-8992/006-305	891-8992/006-307	1
4 m	891-8992/006-403	891-8992/006-405	891-8992/006-407	1
5 m	891-8992/006-503	891-8992/006-505	891-8992/006-507	1
6 m	891-8992/006-603	891-8992/006-605	891-8992/006-607	1
7 m	891-8992/006-703	891-8992/006-705	891-8992/006-707	1
8 m	891-8992/006-803	891-8992/006-805	891-8992/006-807	1



Connecting cable ▶ Socket - free end ▶ Protection type: IP40				
Total length	Connector color / Strain relief color			PU
	gray / black	light green / black	pink / black	
1 m	891-8992/106-103	891-8992/106-105	891-8992/106-107	1
2 m	891-8992/106-203	891-8992/106-205	891-8992/106-207	1
3 m	891-8992/106-303	891-8992/106-305	891-8992/106-307	1
4 m	891-8992/106-403	891-8992/106-405	891-8992/106-407	1
5 m	891-8992/106-503	891-8992/106-505	891-8992/106-507	1
6 m	891-8992/106-603	891-8992/106-605	891-8992/106-607	1
7 m	891-8992/106-703	891-8992/106-705	891-8992/106-707	1
8 m	891-8992/106-803	891-8992/106-805	891-8992/106-807	1



Connecting cable ▶ Plug - free end ▶ Protection type: IP20; IP40 when mated				
Total length	Connector color / Strain relief color			PU
	gray / black	light green / black	pink / black	
1 m	891-8992/206-103	891-8992/206-105	891-8992/206-107	1
2 m	891-8992/206-203	891-8992/206-205	891-8992/206-207	1
3 m	891-8992/206-303	891-8992/206-305	891-8992/206-307	1
4 m	891-8992/206-403	891-8992/206-405	891-8992/206-407	1
5 m	891-8992/206-503	891-8992/206-505	891-8992/206-507	1
6 m	891-8992/206-603	891-8992/206-605	891-8992/206-607	1
7 m	891-8992/206-703	891-8992/206-705	891-8992/206-707	1
8 m	891-8992/206-803	891-8992/206-805	891-8992/206-807	1

Accessories; for all products on this page



Locking lever; for flying leads; manually operated



Locking lever; for flying leads; tool operated



Mounting carrier; for flying leads; 2- to 5-pole

Color	Item no.	PU (SPU)
● black	890-101	100 (50)
○ white	890-121	100 (50)

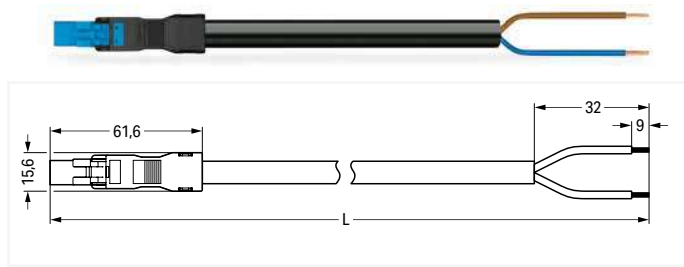
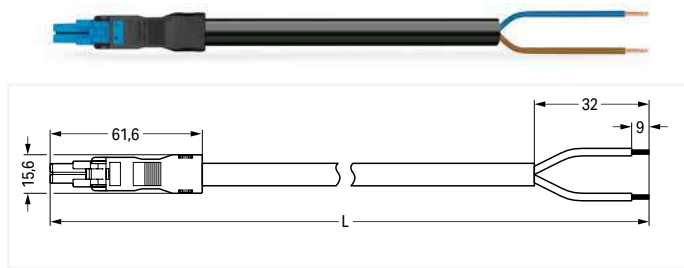
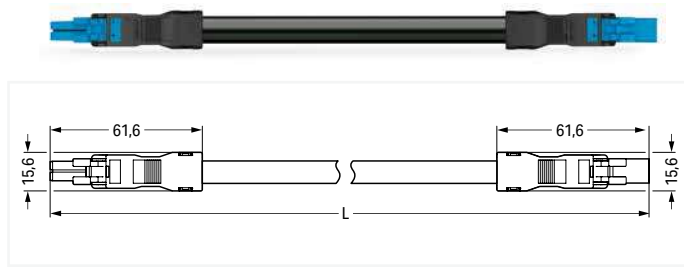
Color	Item no.	PU (SPU)
● black	890-111	100 (50)
○ white	890-131	100 (50)

Color	Item no.	PU
● black	890-310	100
○ white	890-311	100

PU = packaging unit; SPU = subpackaging unit; Dimensions in mm

Cable assembly ▶ WINSTA® MINI ▶ 891 Series

Pole number: 2 ▶ Fire class per EN 50575: E_{ca} ▶ Coding: I ▶ 1.5 mm² ▶ Marking: + - ▶ PVC ▶ Sheathed cable diameter: 6.8 ... 8.6 mm ▶ H05VV-F 2x1.5 ▶ DALI, Lighting Management



Interconnecting cable ▶ Socket - Plug ▶ Protection type: IP20; IP40 when mated

Total length	Connector color / Strain relief color		PU
	blue / black	blue / white	
1 m	891-8982/006-101	891-8982/006-102	1
2 m	891-8982/006-201	891-8982/006-202	1
3 m	891-8982/006-301	891-8982/006-302	1
4 m	891-8982/006-401	891-8982/006-402	1
5 m	891-8982/006-501	891-8982/006-502	1
6 m	891-8982/006-601	891-8982/006-602	1
7 m	891-8982/006-701	891-8982/006-702	1
8 m	891-8982/006-801	891-8982/006-802	1

Connecting cable ▶ Socket - free end ▶ Protection type: IP40

Total length	Connector color / Strain relief color		PU
	blue / black	blue / white	
1 m	891-8982/106-101	891-8982/106-102	1
2 m	891-8982/106-201	891-8982/106-202	1
3 m	891-8982/106-301	891-8982/106-302	1
4 m	891-8982/106-401	891-8982/106-402	1
5 m	891-8982/106-501	891-8982/106-502	1
6 m	891-8982/106-601	891-8982/106-602	1
7 m	891-8982/106-701	891-8982/106-702	1
8 m	891-8982/106-801	891-8982/106-802	1

Connecting cable ▶ Plug - free end ▶ Protection type: IP20; IP40 when mated

Total length	Connector color / Strain relief color		PU
	blue / black	blue / white	
1 m	891-8982/206-101	891-8982/206-102	1
2 m	891-8982/206-201	891-8982/206-202	1
3 m	891-8982/206-301	891-8982/206-302	1
4 m	891-8982/206-401	891-8982/206-402	1
5 m	891-8982/206-501	891-8982/206-502	1
6 m	891-8982/206-601	891-8982/206-602	1
7 m	891-8982/206-701	891-8982/206-702	1
8 m	891-8982/206-801	891-8982/206-802	1

Accessories; for all products on this page



Locking lever; for flying leads; manually operated



Locking lever; for flying leads; tool operated



Mounting carrier; for flying leads; 2- to 5-pole

Color	Item no.	PU (SPU)
● black	890-101	100 (50)
○ white	890-121	100 (50)

Color	Item no.	PU (SPU)
● black	890-111	100 (50)
○ white	890-131	100 (50)

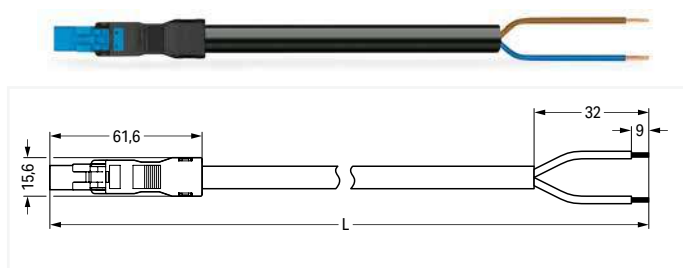
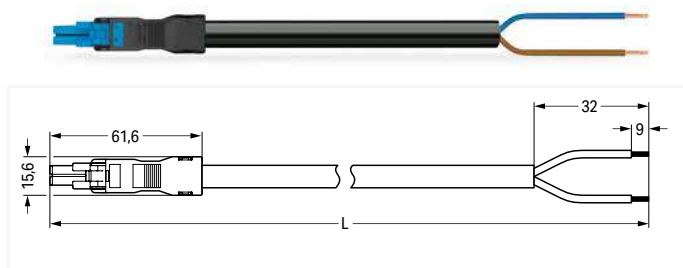
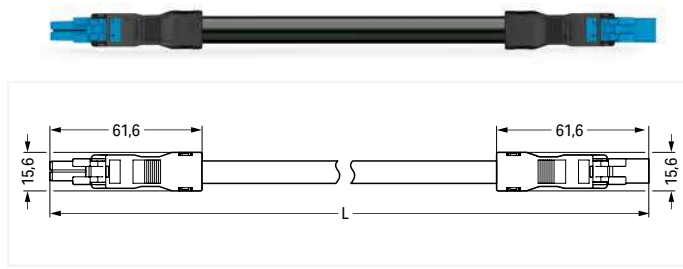
Color	Item no.	PU
● black	890-310	100
○ white	890-311	100

PU = packaging unit; SPU = subpackaging unit; Dimensions in mm

Cable assembly ▶ WINSTA® MINI ▶ 891 Series

Pole number: 2 ▶ Fire class per EN 50575: E_{ca} ▶ Coding: I ▶ 1.5 mm² ▶ Marking: + - ▶ Halogen-free
 ▶ Sheathed cable diameter: 6.8 ... 8.6 mm ▶ H05Z1Z1-F 2x1.5 ▶ DALI, Lighting Management

1



Interconnecting cable ▶ Socket - Plug ▶ Protection type: IP20; IP40 when mated			
Total length	Connector color / Strain relief color		PU
	blue / black	blue / white	
1 m	891-8982/016-101	891-8982/016-102	1
2 m	891-8982/016-201	891-8982/016-202	1
3 m	891-8982/016-301	891-8982/016-302	1
4 m	891-8982/016-401	891-8982/016-402	1
5 m	891-8982/016-501	891-8982/016-502	1
6 m	891-8982/016-601	891-8982/016-602	1
7 m	891-8982/016-701	891-8982/016-702	1
8 m	891-8982/016-801	891-8982/016-802	1

Connecting cable ▶ Socket - free end ▶ Protection type: IP40			
Total length	Connector color / Strain relief color		PU
	blue / black	blue / white	
1 m	891-8982/116-101	891-8982/116-102	1
2 m	891-8982/116-201	891-8982/116-202	1
3 m	891-8982/116-301	891-8982/116-302	1
4 m	891-8982/116-401	891-8982/116-402	1
5 m	891-8982/116-501	891-8982/116-502	1
6 m	891-8982/116-601	891-8982/116-602	1
7 m	891-8982/116-701	891-8982/116-702	1
8 m	891-8982/116-801	891-8982/116-802	1

Connecting cable ▶ Plug - free end ▶ Protection type: IP20; IP40 when mated			
Total length	Connector color / Strain relief color		PU
	blue / black	blue / white	
1 m	891-8982/216-101	891-8982/216-102	1
2 m	891-8982/216-201	891-8982/216-202	1
3 m	891-8982/216-301	891-8982/216-302	1
4 m	891-8982/216-401	891-8982/216-402	1
5 m	891-8982/216-501	891-8982/216-502	1
6 m	891-8982/216-601	891-8982/216-602	1
7 m	891-8982/216-701	891-8982/216-702	1
8 m	891-8982/216-801	891-8982/216-802	1

Accessories; for all products on this page

	Locking lever; for flying leads; manually operated		Locking lever; for flying leads; tool operated		Mounting carrier; for flying leads; 2- to 5-pole			
Color	Item no.	PU (SPU)	Color	Item no.	PU (SPU)	Color	Item no.	PU
● black	890-101	100 (50)	● black	890-111	100 (50)	● black	890-310	100
○ white	890-121	100 (50)	○ white	890-131	100 (50)	○ white	890-311	100

PU = packaging unit; SPU = subpackaging unit; Dimensions in mm

Pluggable connectors ▶ WINSTA® MINI ▶ 890 Series

Pole number: 3



- Protected against mismatching and maintenance-free
- Push-in CAGE CLAMP® spring pressure connection technology for direct termination of solid conductors
- Low profile with 4.4 mm pole spacing
- When assembled, the installation connectors comply with IP40 and are suitable for easily accessible areas.

Electrical data						
Coding	A			B		
Ratings per	IEC/EN 60664-1			IEC/EN 60664-1		
Overvoltage category	III	III	II	III	III	II
Pollution degree	3	2	2	3	2	2
Nominal voltage	250 V	-	-	250 V	-	-
Rated surge voltage	4 kV	-	-	4 kV	-	-
Rated current	16 A	-	-	16 A	-	-
Note (rated current)				13 A for 3-pole load		
Approvals per	UL 1977			UL 1977		
Rated voltage	600 V			600 V		
Rated current	14 A			14 A		

Connection data	
Connection technology	Push-in CAGE CLAMP®
Strip length	9 mm / 0.35 inches
Nominal cross-section	1.5 mm² / 16 AWG
Solid conductor	0.25 ... 1.5 mm² / 22 ... 16 AWG
Solid conductor; push-in termination	0.75 ... 1.5 mm² / 20 ... 16 AWG
Stranded conductor	0.25 ... 1 mm² / 22 ... 18 AWG
Fine-stranded conductor	0.25 ... 1.5 mm² / 22 ... 16 AWG
Fine-stranded conductor; with insulated ferrule	0.25 ... 0.75 mm² / 22 ... 20 AWG
Fine-stranded conductor; with uninsulated ferrule	0.25 ... 0.75 mm² / 22 ... 20 AWG
Fine-stranded conductor; with ferrule; push-in termination	0.75 mm² / 20 AWG

Material Data	
Material group	I
Insulation material	Polyamide (PA66)
Flammability class per UL94	V0
Clamping spring material	Chrome-nickel spring steel (CrNi)
Contact material	Copper or copper alloy; surface-treated
Contact plating	Tin

Mechanical Data	
Number of mating cycles	200, without resistive load
Mating force of a plug-in connection	approx. 20 ... 70 N (depending on pole number)
Unmating force of a plug-in connection	Unlocked: approx. 20 ... 70 N (depending on pole number)
Retention force of a plug-in connection	Locked: > 80 N

Environmental requirements	
Processing temperature	-5 ... +40 °C
Continuous operating temperature	-35 ... +85 °C
Note on continuous operating temperature	Insulating parts for temperatures ≤ 105 °C

All WINSTA® components are 100% protected against mismatching when:

- plugging different numbers of poles
- plugging while rotated 180
- plugging while laterally staggered
- plugging one pole

All connectors for mounted installations (snap-in versions for lighting fixtures or devices, all types of PCB and distribution connectors) are factory-equipped with locking levers to ensure plugs and sockets are securely locked. Additional locking levers are only required for flying leads (plug/socket).

Cover [Page 368](#)

Shield termination [Page 367](#)

Tool [Page 392](#)

See technical section for further information

Approvals and corresponding ratings, visit www.wago.com

Pluggable connectors ▶ WINSTA® MINI ▶ 890 Series

Pole number: 3

Strain relief housing ▶ Female connector/socket ▶ Strip length (outer insulation): 40 mm ▶ Connectable sheathed cable diameter: 4.5 ... 10 mm ▶ Protection type: IP40

Strain relief housing ▶ Male connector/plug ▶ Strip length (outer insulation): 40 mm ▶ Connectable sheathed cable diameter: 4.5 ... 10 mm ▶ Protection type: IP40



890-103

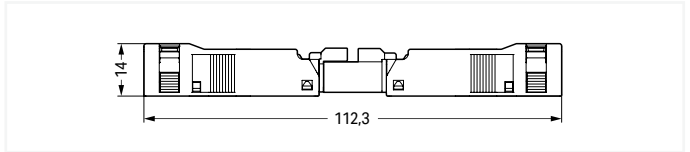
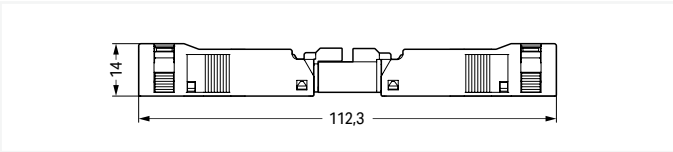
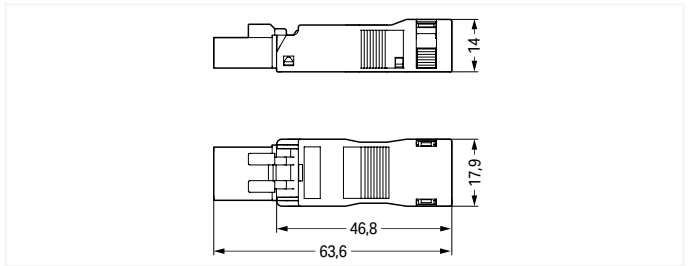
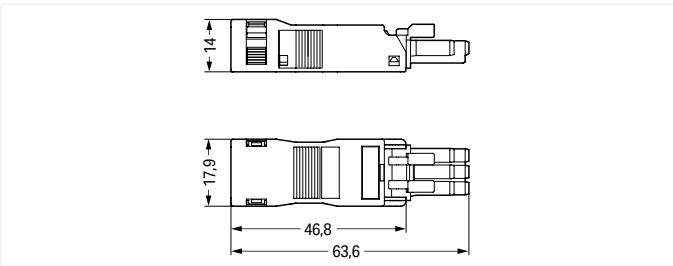
890-113

General mains applications

Color	Coding	Marking	Item no.	PU
● black	A	L ⊕ N	890-103	50
○ white	A	L ⊕ N	890-123	50

General mains applications

Color	Coding	Marking	Item no.	PU
● black	A	N ⊕ L	890-113	50
○ white	A	N ⊕ L	890-133	50



Overall length when mated

Overall length when mated

Accessories; for all products on this page



Locking lever; for flying leads; manually operated

Color	Item no.	PU (SPU)
● black	890-101	100 (50)
○ white	890-121	100 (50)



Locking lever; for flying leads; tool operated

Color	Item no.	PU (SPU)
● black	890-111	100 (50)
○ white	890-131	100 (50)



Mounting carrier; for flying leads; 2- to 5-pole

Color	Item no.	PU
● black	890-310	100
○ white	890-311	100



Operating tool; for WAGO WINSTA® MINI Connectors; Pole number: 3

Color	Item no.	PU
● green	890-383	1

PU = packaging unit; SPU = subpackaging unit; Dimensions in mm

Pluggable connectors ▶ WINSTA® MINI ▶ 890 Series

Pole number: 3

Female connector/socket ▶ Protection type: IP20; IP40 with strain relief housing

Male connector/plug ▶ Protection type: IP20; IP40 when mated with strain relief housing



1

890-203

890-213

General mains applications

Color	Coding	Marking	Item no.	PU
● black	A	L ⊕ N	890-203	50
○ white	A	L ⊕ N	890-223	50

Control technology

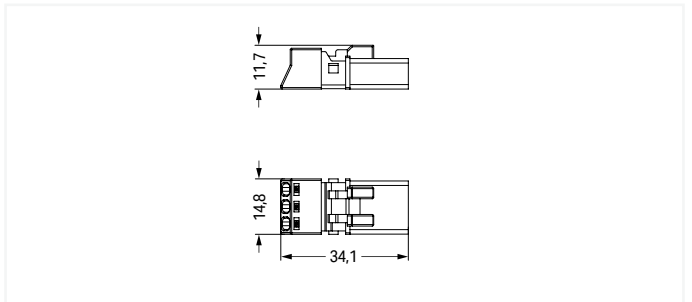
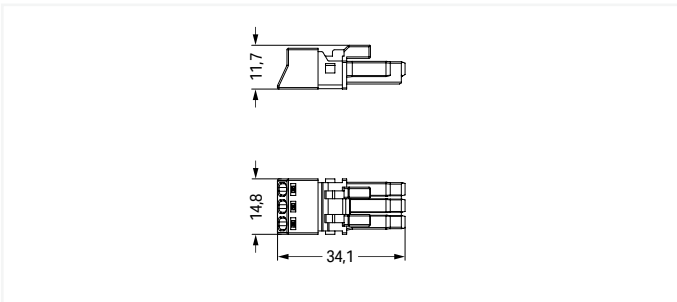
Color	Coding	Marking	Item no.	PU
○ gray	B	1 2 3	890-243	50
○ gray	B	L ⊕ N	890-243/060-000	50
○ gray	B	2 PE 1	890-243/062-000	50
● light green	B	1 2 3	890-263	50
● light green	B	U+ X/Y U-	890-263/071-000	50
● light green	B	1 ⊕ 2	890-263/073-000	50
● pink	B	1 2 3	890-283	50
● pink	B	1 2 5	890-283/081-000	50
● pink	B	+ S -	890-283/082-000	50

General mains applications


Color	Coding	Marking	Item no.	PU
● black	A	N ⊕ L	890-213	50
○ white	A	N ⊕ L	890-233	50

Control technology


Color	Coding	Marking	Item no.	PU
○ gray	B	3 2 1	890-253	50
○ gray	B	N ⊕ L	890-253/060-000	50
○ gray	B	1 PE 2	890-253/062-000	50
● light green	B	3 2 1	890-273	50
● light green	B	U- X/Y U+	890-273/071-000	50
● light green	B	2 ⊕ 1	890-273/073-000	50
● pink	B	3 2 1	890-293	50
● pink	B	5 2 1	890-293/081-000	50
● pink	B	- S +	890-293/082-000	50




Accessories; for all products on this page

 Locking lever; for flying leads; manually operated


Color	Item no.	PU (SPU)
● black	890-101	100 (50)
○ white	890-121	100 (50)

 Locking lever; for flying leads; tool operated


Color	Item no.	PU (SPU)
● black	890-111	100 (50)
○ white	890-131	100 (50)

 Mounting carrier; for flying leads; 2- to 5-pole

Color	Item no.	PU
● black	890-310	100
○ white	890-311	100

 Operating tool; for WAGO WINSTA® MINI Connectors; Pole number: 3

Color	Item no.	PU
● green	890-383	1

 Strain relief housing; Connectable sheathed cable diameter: 4.5 ... 10 mm; Strip length (outer insulation): 40 mm

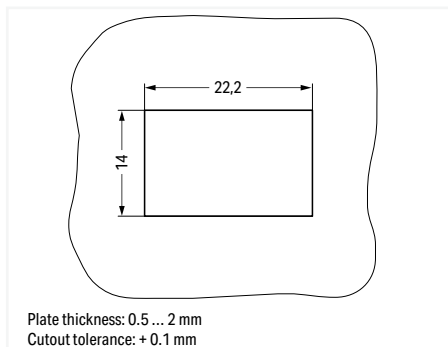
Color	Item no.	PU
● black	890-503	50
○ white	890-513	50

PU = packaging unit; SPU = subpackaging unit; Dimensions in mm

Snap-in device connector ▶ WINSTA® MINI ▶ 890 Series

Pole number: 3

1



- Protected against mismatching and maintenance-free
- Push-in CAGE CLAMP® spring pressure connection technology allows solid conductors to be simply pushed into a unit.
- Low profile with 4.4 mm pole spacing
- When assembled, the installation connectors comply with IP40 and are suitable for easily accessible areas.

Electrical data						
Coding	A			B		
Ratings per	IEC/EN 60664-1			IEC/EN 60664-1		
Overvoltage category	III	III	II	III	III	II
Pollution degree	3	2	2	3	2	2
Nominal voltage	250 V	-	-	250 V	-	-
Rated surge voltage	4 kV	-	-	4 kV	-	-
Rated current	16 A	-	-	16 A	-	-
Note (rated current)	13 A for 3-pole load					
Approvals per	UL 1977			UL 1977		
Rated voltage	600 V			600 V		
Rated current	14 A			14 A		

Connection data	
Connection technology	Push-in CAGE CLAMP®
Strip length	9 mm / 0.35 inches
Nominal cross-section	1.5 mm ² / 16 AWG
Solid conductor	0.25 ... 1.5 mm ² / 22 ... 16 AWG
Solid conductor; push-in termination	0.75 ... 1.5 mm ² / 20 ... 16 AWG
Stranded conductor	0.25 ... 1 mm ² / 22 ... 18 AWG
Fine-stranded conductor	0.25 ... 1.5 mm ² / 22 ... 16 AWG
Fine-stranded conductor; with insulated ferrule	0.25 ... 0.75 mm ² / 22 ... 20 AWG
Fine-stranded conductor; with uninsulated ferrule	0.25 ... 0.75 mm ² / 22 ... 20 AWG
Fine-stranded conductor; with ferrule; push-in termination	0.75 mm ² / 20 AWG

Material Data	
Insulation material	Polyamide (PA66)
Clamping spring material	Chrome-nickel spring steel (CrNi)
Contact material	Copper or copper alloy; surface-treated
Contact plating	Tin

Mechanical Data	
Number of mating cycles	200, without resistive load
Mating force of a plug-in connection	approx. 20 ... 70 N (depending on pole number)
Unmating force of a plug-in connection	Unlocked: approx. 20 ... 70 N (depending on pole number)
Retention force of a plug-in connection	Locked: > 80 N

Environmental requirements	
Processing temperature	-5 ... +40 °C
Continuous operating temperature	-35 ... +85 °C
Note on continuous operating temperature	Insulating parts for temperatures ≤ 105 °C

All WINSTA® components are 100% protected against mismatching when:

- plugging different numbers of poles
- plugging while rotated 180
- plugging while laterally staggered
- plugging one pole

All connectors for mounted installations (snap-in versions for lighting fixtures or devices, all types of PCB and distribution connectors) are factory-equipped with locking levers to ensure plugs and sockets are securely locked. Additional locking levers are only required for flying leads (plug/socket).

Tool Page 392

See technical section for further information

Approvals and corresponding ratings, visit www.wago.com

Snap-in device connector ▶ WINSTA® MINI ▶ 890 Series

Pole number: 3

Female connector/socket ▶ Protection type: IP40

Male connector/plug ▶ Protection type: IP20; IP40 when mated



1

890-703

890-713

General mains applications

Color	Coding	Marking	Item no.	PU (SPU)
● black	A	L ⊕ N	890-703	50 (50)
○ white	A	L ⊕ N	890-723	50 (50)

Control technology

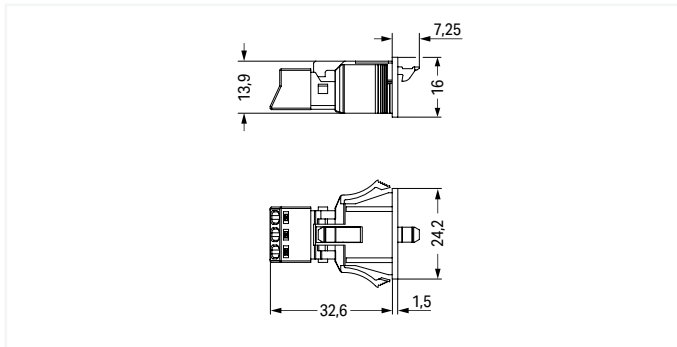
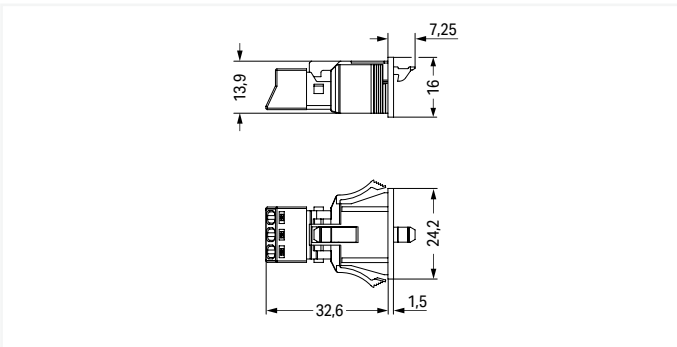
Color	Coding	Marking	Item no.	PU (SPU)
○ gray	B	1 2 3	890-743	50 (50)
○ gray	B	L ⊕ N	890-743/060-000	50 (50)
○ gray	B	2 PE 1	890-743/062-000	50 (50)
● light green	B	1 2 3	890-763	50 (50)
● light green	B	U+ X/Y U-	890-763/071-000	50 (50)
● light green	B	1 ⊕ 2	890-763/073-000	50 (50)
● pink	B	1 2 3	890-783	50 (50)
● pink	B	1 2 5	890-783/081-000	50 (50)
● pink	B	+ S -	890-783/082-000	50 (50)

General mains applications

Color	Coding	Marking	Item no.	PU (SPU)
● black	A	N ⊕ L	890-713	50 (50)
○ white	A	N ⊕ L	890-733	50 (50)

Control technology

Color	Coding	Marking	Item no.	PU (SPU)
○ gray	B	3 2 1	890-753	50 (50)
○ gray	B	N ⊕ L	890-753/060-000	50 (50)
○ gray	B	1 PE 2	890-753/062-000	50 (50)
● light green	B	3 2 1	890-773	50 (50)
● light green	B	U- X/Y U+	890-773/071-000	50 (50)
● light green	B	2 ⊕ 1	890-773/073-000	50 (50)
● pink	B	3 2 1	890-793	50 (50)
● pink	B	5 2 1	890-793/081-000	50 (50)
● pink	B	- S +	890-793/082-000	50 (50)



Accessories; for all products on this page



Operating tool; for WAGO WINSTA® MINI Connectors; Pole number: 3



Lockout cap; for cutout; Pole number: 3

Color	Item no.	PU
● green	890-383	1

Color	Item no.	PU
● black	890-643	100
○ white	890-693	100

PU = packaging unit; SPU = subpackaging unit; Dimensions in mm

Pluggable PCB connector ▶ WINSTA® MINI ▶ 890 Series

Pole number: 3



- Protected against mismatching and maintenance-free
- Push-in CAGE CLAMP® spring pressure connection technology allows solid conductors to be simply pushed into a unit.
- Low profile with 4.4 mm pole spacing

Electrical data						
Coding	A			B		
Ratings per	IEC/EN 60664-1			IEC/EN 60664-1		
Overvoltage category	III	III	II	III	III	II
Pollution degree	3	2	2	3	2	2
Nominal voltage	250 V	-	-	250 V	-	-
Rated surge voltage	4 kV	-	-	4 kV	-	-
Rated current	16 A	-	-	16 A	-	-
Note (rated current)				13 A for 3-pole load		
Approvals per	UL 1977			UL 1977		
Rated voltage	600 V			600 V		
Rated current	14 A			14 A		
Material Data						
Material group	I					
Insulation material	Polyamide (PA66)					
Flammability class per UL94	V0					
Clamping spring material	Chrome-nickel spring steel (CrNi)					
Contact material	Copper or copper alloy; surface-treated					
Contact plating	Tin					
Mechanical Data						
Solder pin arrangement	2 in-line solder pins/pole					
Number of solder pins per potential	2					
Solder pin length	3.5 mm					
Solder pin dimensions	1 x 0.8 mm					
Drilled hole diameter with tolerance	1.3 ^(+0.1) mm					
Mating force of a plug-in connection	approx. 20 ... 70 N (depending on pole number)					
Unmating force of a plug-in connection	Unlocked: approx. 20 ... 70 N (depending on pole number)					
Retention force of a plug-in connection	Locked: > 80 N					
Environmental requirements						
Processing temperature	-5 ... +40 °C					
Continuous operating temperature	-35 ... +85 °C					
Note on continuous operating temperature	Insulating parts for temperatures ≤ 105 °C					

All WINSTA® components are 100% protected against mismatching when:

- plugging different numbers of poles
- plugging while rotated 180
- plugging while laterally staggered
- plugging one pole

All connectors for mounted installations (snap-in versions for lighting fixtures or devices, all types of PCB and distribution connectors) are factory-equipped with locking levers to ensure plugs and sockets are securely locked. Additional locking levers are only required for flying leads (plug/socket).

See technical section for further information

Approvals and corresponding ratings, visit www.wago.com

Pluggable PCB connector ▶ WINSTA® MINI ▶ 890 Series

Pole number: 3

straight ▶ Female connector/socket

straight ▶ Male connector/plug



890-803

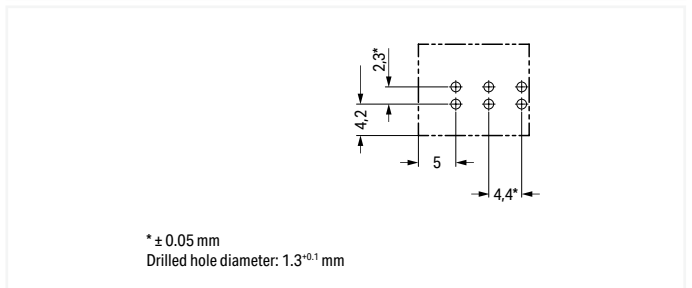
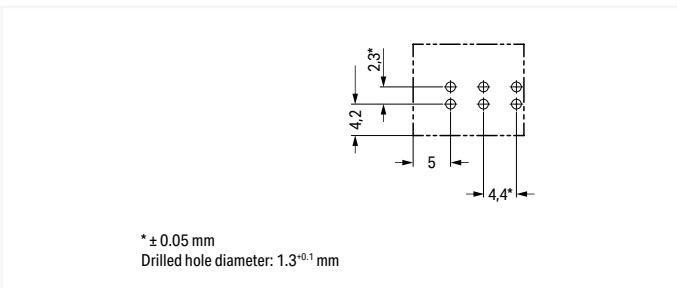
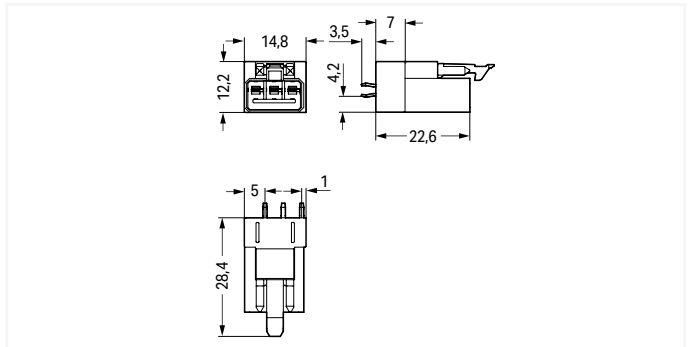
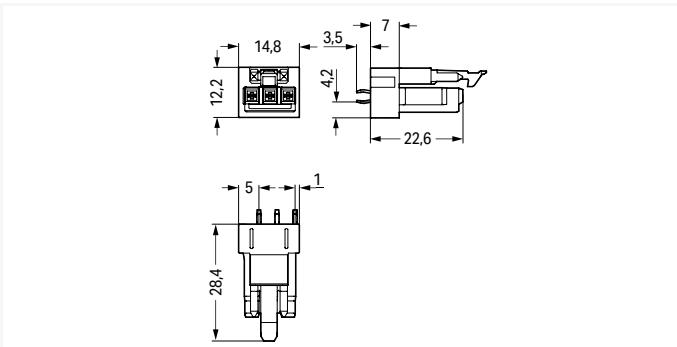
890-813

General mains applications				
Color	Coding	Marking	Item no.	PU
● black	A	L ⊕ N	890-803	100
○ white	A	L ⊕ N	890-823	100

Control technology				
Color	Coding	Marking	Item no.	PU
○ gray	B	1 2 3	890-843	100
● light green	B	1 2 3	890-863	100
● pink	B	1 2 3	890-883	100

General mains applications				
Color	Coding	Marking	Item no.	PU
● black	A	N ⊕ L	890-813	100
○ white	A	N ⊕ L	890-833	100

Control technology				
Color	Coding	Marking	Item no.	PU
○ gray	B	3 2 1	890-853	100
● light green	B	3 2 1	890-873	100
● pink	B	3 2 1	890-893	100



Pluggable PCB connector ▶ WINSTA® MINI ▶ 890 Series

Pole number: 3

angled ▶ Female connector/socket

angled ▶ Male connector/plug

1



890-803/011-000

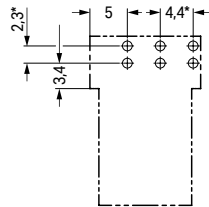
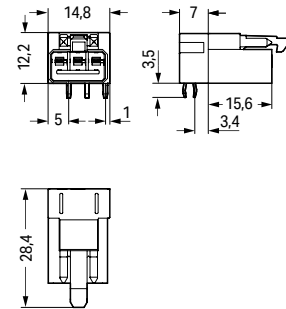
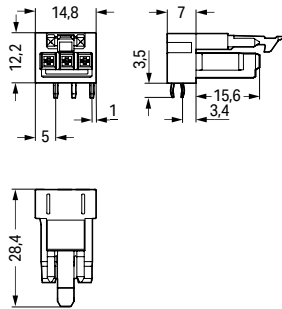
890-813/011-000

General mains applications				
Color	Coding	Marking	Item no.	PU
● black	A	L ⊕ N	890-803/011-000	100
○ white	A	L ⊕ N	890-823/011-000	100

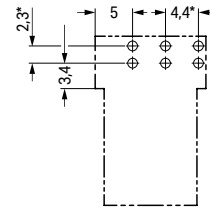
General mains applications				
Color	Coding	Marking	Item no.	PU
● black	A	N ⊕ L	890-813/011-000	100
○ white	A	N ⊕ L	890-833/011-000	100

Control technology				
Color	Coding	Marking	Item no.	PU
○ gray	B	1 2 3	890-843/011-000	100
● light green	B	1 2 3	890-863/011-000	100
● pink	B	1 2 3	890-883/011-000	100

Control technology				
Color	Coding	Marking	Item no.	PU
○ gray	B	3 2 1	890-853/011-000	100
● light green	B	3 2 1	890-873/011-000	100
● pink	B	3 2 1	890-893/011-000	100



* ± 0.05 mm
Drilled hole diameter: 1.3^{+0.1} mm



* ± 0.05 mm
Drilled hole diameter: 1.3^{+0.1} mm

Distribution connector ▶ WINSTA® MINI ▶ 890 Series

Pole number: 3 ▶ Protection type: IP20; IP40 when mated

1



- Protected against mismatching and maintenance-free
- Low profile with 4.4 mm pole spacing

Electrical data						
Coding	A			B		
Ratings per	IEC/EN 60664-1			IEC/EN 60664-1		
Overvoltage category	III	III	II	III	III	II
Pollution degree	3	2	2	3	2	2
Nominal voltage	250 V	-	-	250 V	-	-
Rated surge voltage	4 kV	-	-	4 kV	-	-
Rated current	16 A	-	-	16 A	-	-
Note (rated current)				13 A for 3-pole load		
Approvals per	UL 1977			UL 1977		
Rated voltage	600 V			600 V		
Rated current	14 A			14 A		
Material Data						
Insulation material	Polyamide (PA66)					
Flammability class per UL94	V0					
Contact material	Copper or copper alloy; surface-treated					
Contact plating	Tin					
Mechanical Data						
Number of mating cycles	200, without resistive load					
Mating force of a plug-in connection	Approx. 20 ... 70 N (depending on pole number)					
Unmating force of a plug-in connection	Unlocked: approx. 20 ... 70 N (depending on pole number)					
Retention force of a plug-in connection	When locked: > 80 N					
Protection type	IP20					
Note on protection type	IP40 when mated					
Environmental requirements						
Processing temperature	-5 ... +40 °C					
Continuous operating temperature	-35 ... +85 °C					
Note on continuous operating temperature	Insulating parts for temperatures ≤ 105 °C					

At least one snap-in connector **without** a locking lever is required on one side when connecting two lights directly via intermediate coupler.

All WINSTA® components are 100% protected against mismatching when:

- plugging different numbers of poles
- plugging while rotated 180
- plugging while laterally staggered
- plugging one pole

All connectors for mounted installations (snap-in versions for lighting fixtures or devices, all types of PCB and distribution connectors) are factory-equipped with locking levers to ensure plugs and sockets are securely locked. Additional locking levers are only required for flying leads (plug/socket).

See technical section for further information

Approvals and corresponding ratings, visit www.wago.com

Distribution connector ▶ WINSTA® MINI ▶ 890 Series

Pole number: 3 ▶ Protection type: IP20; IP40 when mated

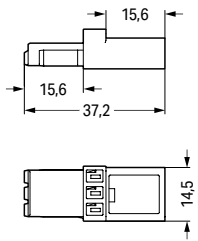
Intermediate coupler



890-603

General mains applications

Color	Coding	Marking	Item no.	PU
● black	A	-	890-603	50
○ white	A	-	890-653	50



PU = packaging unit; SPU = subpackaging unit; Dimensions in mm

Distribution connector ▶ WINSTA® MINI ▶ 890 Series

Pole number: 3 ▶ Protection type: IP20; IP40 when mated

T-distribution connector

Number of locking levers: 2

Number of locking levers: 3 ▶ for flying leads



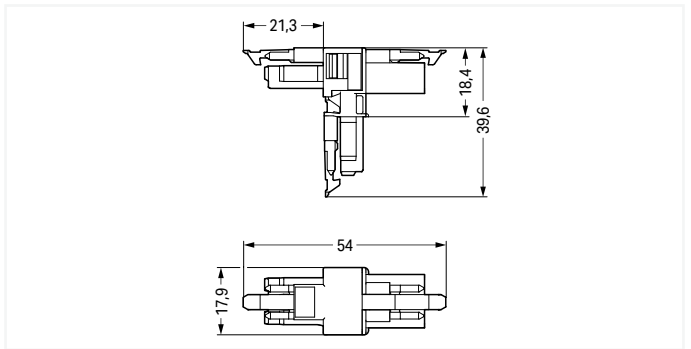
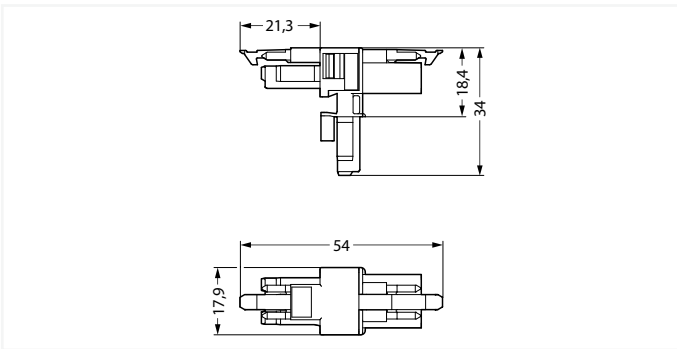
1

890-606

890-615

General mains applications				
Color	Coding	Marking	Item no.	PU
● black	A	L ⊕ N	890-606	25
○ white	A	L ⊕ N	890-656	25

General mains applications				
Color	Coding	Marking	Item no.	PU
● black	A	L ⊕ N	890-615	25
○ white	A	L ⊕ N	890-665	25



Distribution connector ▶ WINSTA® MINI ▶ 890 Series

Pole number: 3 ▶ Protection type: IP20; IP40 when mated

h-distribution connector, outputs on one side

Number of locking levers: 2

Number of locking levers: 3 ▶ for flying leads



1

890-634

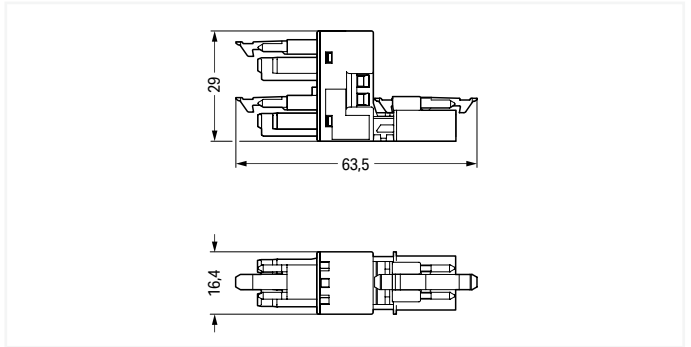
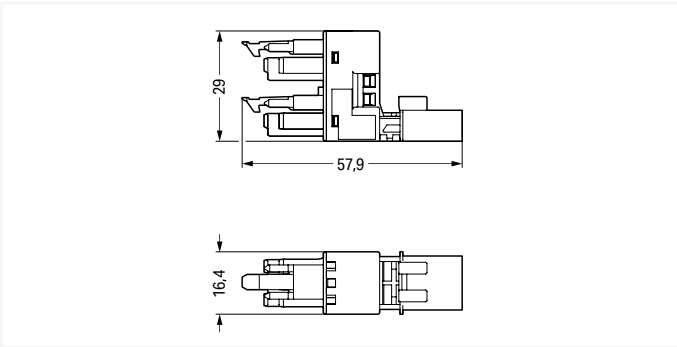
890-636

General mains applications				
Color	Coding	Marking	Item no.	PU
● black	A	L ⊕ N	890-634	50
○ white	A	L ⊕ N	890-684	50

General mains applications				
Color	Coding	Marking	Item no.	PU
● black	A	L ⊕ N	890-636	50
○ white	A	L ⊕ N	890-686	50

Control technology				
Color	Coding	Marking	Item no.	PU
○ gray	B	1 2 3	890-1661	50
● light green	B	1 2 3	890-1662	50
● pink	B	1 2 3	890-1663	50

Control technology				
Color	Coding	Marking	Item no.	PU
○ gray	B	1 2 3	890-1761	50
● light green	B	1 2 3	890-1762	50
● pink	B	1 2 3	890-1763	50



Accessories; for all products on this page



Mounting plate; for distribution connectors (except T-distribution connectors); 3-pole

Color	Item no.	PU
● black	890-623	50
○ white	890-673	50

PU = packaging unit; SPU = subpackaging unit; Dimensions in mm

Cable assembly ▶ WINSTA® MINI ▶ 891 Series

Pole number: 3 ▶ Fire class per EN 50575: E_{ca}

1



- Protected against mismatching and maintenance-free
- Low profile with 4.4 mm pole spacing

Electrical data									
Coding	A; B			A			B		
Wire cross-section	1 mm ²			1.5 mm ²			1.5 mm ²		
Ratings per	IEC/EN 60664-1			IEC/EN 60664-1			IEC/EN 60664-1		
Oversvoltage category	III	III	II	III	III	II	III	III	II
Pollution degree	3	2	2	3	2	2	3	2	2
Nominal voltage	250 V	-	-	250 V	-	-	250 V	-	-
Rated surge voltage	4 kV	-	-	4 kV	-	-	4 kV	-	-
Rated current	10 A	-	-	16 A	-	-	16 A	-	-
Note (rated current)							13 A for 3-pole load		
Material Data									
Insulation material	Polyamide (PA66)								
Contact material	Copper or copper alloy; surface-treated								
Contact plating	Tin								
Fire class per EN 50575	E _{ca}								
Mechanical Data									
Number of mating cycles	200, without resistive load								
Mating force of a plug-in connection	approx. 20 ... 70 N (depending on pole number)								
Unmating force of a plug-in connection	when unlocked: approx. 20 ... 70 N (depending on pole number)								
Retention force of a plug-in connection	when locked: > 80 N								
Environmental requirements									
Processing temperature	-5 ... +40 °C								
Continuous operating temperature	-35 ... +85 °C								
Note on continuous operating temperature	Cable for temperatures ≤ 70 °C (including halogen-free) Insulating parts for temperatures ≤ 105 °C								

Cables with a different fire class can be found in the eS-hop.

All WINSTA® components are 100% protected against mismatching when:

- plugging different numbers of poles
- plugging while rotated 180
- plugging while laterally staggered
- plugging one pole

All connectors for mounted installations (snap-in versions for lighting fixtures or devices, all types of PCB and distribution connectors) are factory-equipped with locking levers to ensure plugs and sockets are securely locked. Additional locking levers are only required for flying leads (plug/socket).

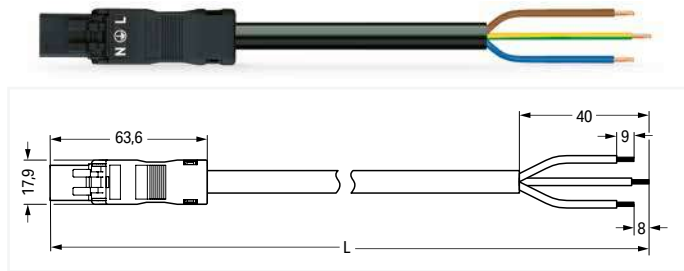
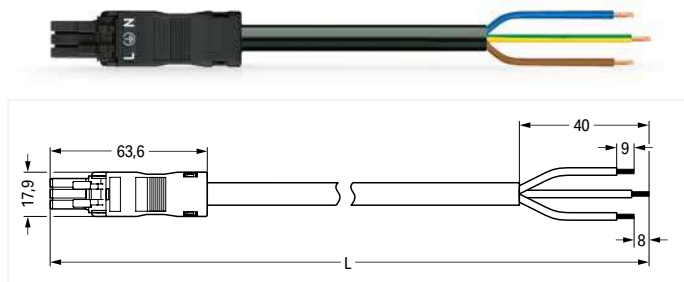
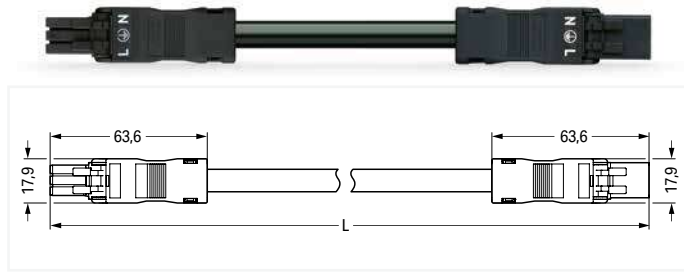
Cover Page 368

See technical section for further information

Approvals and corresponding ratings, visit www.wago.com

Cable assembly ▶ WINSTA® MINI ▶ 891 Series

Pole number: 3 ▶ Fire class per EN 50575: E_{Ca} ▶ Coding: A ▶ 1 mm² ▶ Marking: L ⊕ N ▶ PVC ▶ Sheathed cable diameter: 6.3 ... 8 mm ▶ H05VV-F 3G1 ▶ General mains applications



Interconnecting cable ▶ Socket - Plug ▶ Protection type: IP20; IP40 when mated			
Total length	Connector color / Strain relief color		PU
	black / black	white / white	
1 m	891-8993/005-101	891-8993/005-102	1
2 m	891-8993/005-201	891-8993/005-202	1
3 m	891-8993/005-301	891-8993/005-302	1
4 m	891-8993/005-401	891-8993/005-402	1
5 m	891-8993/005-501	891-8993/005-502	1
6 m	891-8993/005-601	891-8993/005-602	1
7 m	891-8993/005-701	891-8993/005-702	1
8 m	891-8993/005-801	891-8993/005-802	1

Connecting cable ▶ Socket - free end ▶ Protection type: IP40			
Total length	Connector color / Strain relief color		PU
	black / black	white / white	
1 m	891-8993/105-101	891-8993/105-102	1
2 m	891-8993/105-201	891-8993/105-202	1
3 m	891-8993/105-301	891-8993/105-302	1
4 m	891-8993/105-401	891-8993/105-402	1
5 m	891-8993/105-501	891-8993/105-502	1
6 m	891-8993/105-601	891-8993/105-602	1
7 m	891-8993/105-701	891-8993/105-702	1
8 m	891-8993/105-801	891-8993/105-802	1

Connecting cable ▶ Plug - free end ▶ Protection type: IP20; IP40 when mated			
Total length	Connector color / Strain relief color		PU
	black / black	white / white	
1 m	891-8993/205-101	891-8993/205-102	1
2 m	891-8993/205-201	891-8993/205-202	1
3 m	891-8993/205-301	891-8993/205-302	1
4 m	891-8993/205-401	891-8993/205-402	1
5 m	891-8993/205-501	891-8993/205-502	1
6 m	891-8993/205-601	891-8993/205-602	1
7 m	891-8993/205-701	891-8993/205-702	1
8 m	891-8993/205-801	891-8993/205-802	1

1

Accessories; for all products on this page



Locking lever; for flying leads; manually operated



Locking lever; for flying leads; tool operated



Mounting carrier; for flying leads; 2- to 5-pole

Color	Item no.	PU (SPU)
● black	890-101	100 (50)
○ white	890-121	100 (50)

Color	Item no.	PU (SPU)
● black	890-111	100 (50)
○ white	890-131	100 (50)

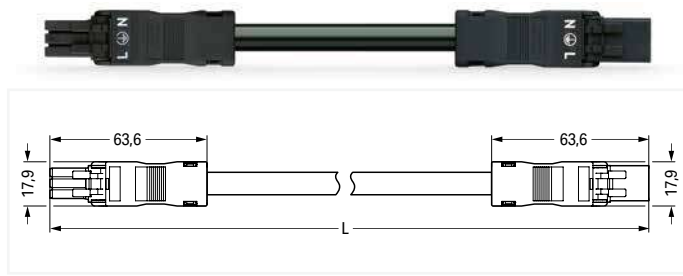
Color	Item no.	PU
● black	890-310	100
○ white	890-311	100

PU = packaging unit; SPU = subpackaging unit; Dimensions in mm

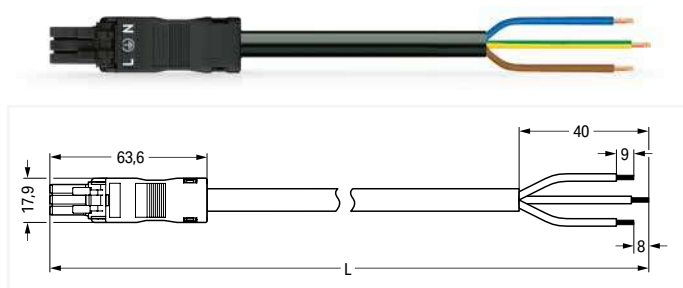
Cable assembly ▶ WINSTA® MINI ▶ 891 Series

Pole number: 3 ▶ Fire class per EN 50575: E_{ca} ▶ Coding: A ▶ 1 mm² ▶ Marking: L ⊕ N ▶ Halo-
gen-free ▶ Sheathed cable diameter: 6.3 ... 8 mm ▶ H05Z1Z1-F 3G1 ▶ General mains applications

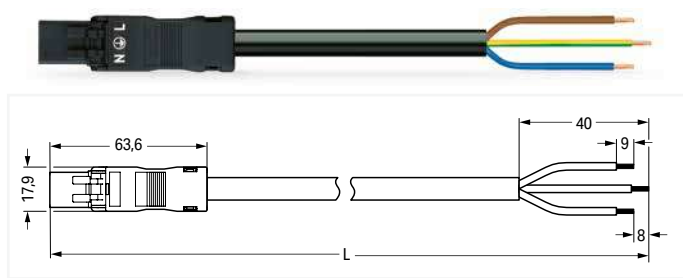
1



Interconnecting cable ▶ Socket - Plug ▶ Protection type: IP20; IP40 when mated			
Total length	Connector color / Strain relief color		PU
	black / black	white / white	
1 m	891-8993/015-101	891-8993/015-102	1
2 m	891-8993/015-201	891-8993/015-202	1
3 m	891-8993/015-301	891-8993/015-302	1
4 m	891-8993/015-401	891-8993/015-402	1
5 m	891-8993/015-501	891-8993/015-502	1
6 m	891-8993/015-601	891-8993/015-602	1
7 m	891-8993/015-701	891-8993/015-702	1
8 m	891-8993/015-801	891-8993/015-802	1



Connecting cable ▶ Socket - free end ▶ Protection type: IP40			
Total length	Connector color / Strain relief color		PU
	black / black	white / white	
1 m	891-8993/115-101	891-8993/115-102	1
2 m	891-8993/115-201	891-8993/115-202	1
3 m	891-8993/115-301	891-8993/115-302	1
4 m	891-8993/115-401	891-8993/115-402	1
5 m	891-8993/115-501	891-8993/115-502	1
6 m	891-8993/115-601	891-8993/115-602	1
7 m	891-8993/115-701	891-8993/115-702	1
8 m	891-8993/115-801	891-8993/115-802	1



Connecting cable ▶ Plug - free end ▶ Protection type: IP20; IP40 when mated			
Total length	Connector color / Strain relief color		PU
	black / black	white / white	
1 m	891-8993/215-101	891-8993/215-102	1
2 m	891-8993/215-201	891-8993/215-202	1
3 m	891-8993/215-301	891-8993/215-302	1
4 m	891-8993/215-401	891-8993/215-402	1
5 m	891-8993/215-501	891-8993/215-502	1
6 m	891-8993/215-601	891-8993/215-602	1
7 m	891-8993/215-701	891-8993/215-702	1
8 m	891-8993/215-801	891-8993/215-802	1

Accessories; for all products on this page



Locking lever; for flying leads; manually operated



Locking lever; for flying leads; tool operated



Mounting carrier; for flying leads; 2- to 5-pole

Color	Item no.	PU (SPU)
● black	890-101	100 (50)
○ white	890-121	100 (50)

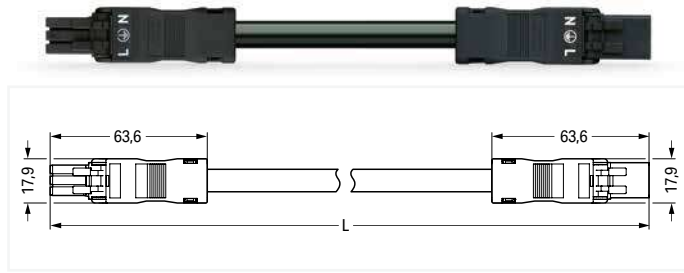
Color	Item no.	PU (SPU)
● black	890-111	100 (50)
○ white	890-131	100 (50)

Color	Item no.	PU
● black	890-310	100
○ white	890-311	100

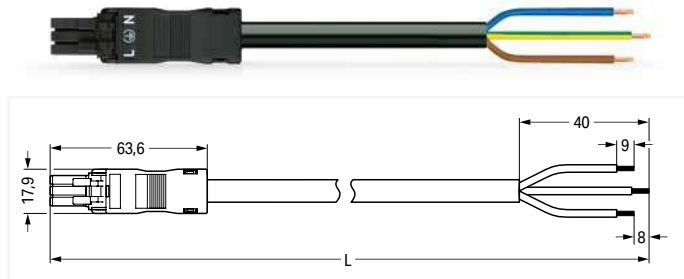
PU = packaging unit; SPU = subpackaging unit; Dimensions in mm

Cable assembly ▶ WINSTA® MINI ▶ 891 Series

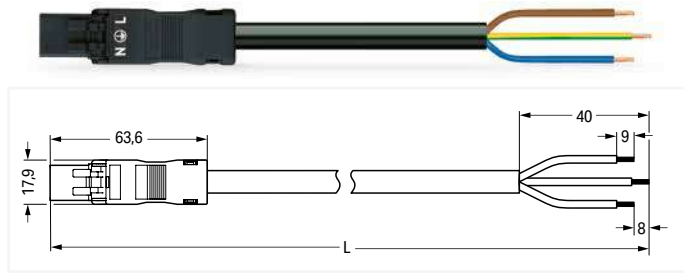
Pole number: 3 ▶ Fire class per EN 50575: E_{ca} ▶ Coding: A ▶ 1.5 mm² ▶ Marking: L ⊕ N ▶ PVC ▶ Sheathed cable diameter: 7.4 ... 9.4 mm ▶ H05VV-F 3G1.5 ▶ General mains applications



Interconnecting cable ▶ Socket - Plug ▶ Protection type: IP20; IP40 when mated			
Total length	Connector color / Strain relief color		PU
	black / black	white / white	
1 m	891-8993/006-101	891-8993/006-102	1
2 m	891-8993/006-201	891-8993/006-202	1
3 m	891-8993/006-301	891-8993/006-302	1
4 m	891-8993/006-401	891-8993/006-402	1
5 m	891-8993/006-501	891-8993/006-502	1
6 m	891-8993/006-601	891-8993/006-602	1
7 m	891-8993/006-701	891-8993/006-702	1
8 m	891-8993/006-801	891-8993/006-802	1



Connecting cable ▶ Socket - free end ▶ Protection type: IP40			
Total length	Connector color / Strain relief color		PU
	black / black	white / white	
1 m	891-8993/106-101	891-8993/106-102	1
2 m	891-8993/106-201	891-8993/106-202	1
3 m	891-8993/106-301	891-8993/106-302	1
4 m	891-8993/106-401	891-8993/106-402	1
5 m	891-8993/106-501	891-8993/106-502	1
6 m	891-8993/106-601	891-8993/106-602	1
7 m	891-8993/106-701	891-8993/106-702	1
8 m	891-8993/106-801	891-8993/106-802	1



Connecting cable ▶ Plug - free end ▶ Protection type: IP20; IP40 when mated			
Total length	Connector color / Strain relief color		PU
	black / black	white / white	
1 m	891-8993/206-101	891-8993/206-102	1
2 m	891-8993/206-201	891-8993/206-202	1
3 m	891-8993/206-301	891-8993/206-302	1
4 m	891-8993/206-401	891-8993/206-402	1
5 m	891-8993/206-501	891-8993/206-502	1
6 m	891-8993/206-601	891-8993/206-602	1
7 m	891-8993/206-701	891-8993/206-702	1
8 m	891-8993/206-801	891-8993/206-802	1

Accessories; for all products on this page



Locking lever; for flying leads; manually operated



Locking lever; for flying leads; tool operated



Mounting carrier; for flying leads; 2- to 5-pole

Color	Item no.	PU (SPU)
● black	890-101	100 (50)
○ white	890-121	100 (50)

Color	Item no.	PU (SPU)
● black	890-111	100 (50)
○ white	890-131	100 (50)

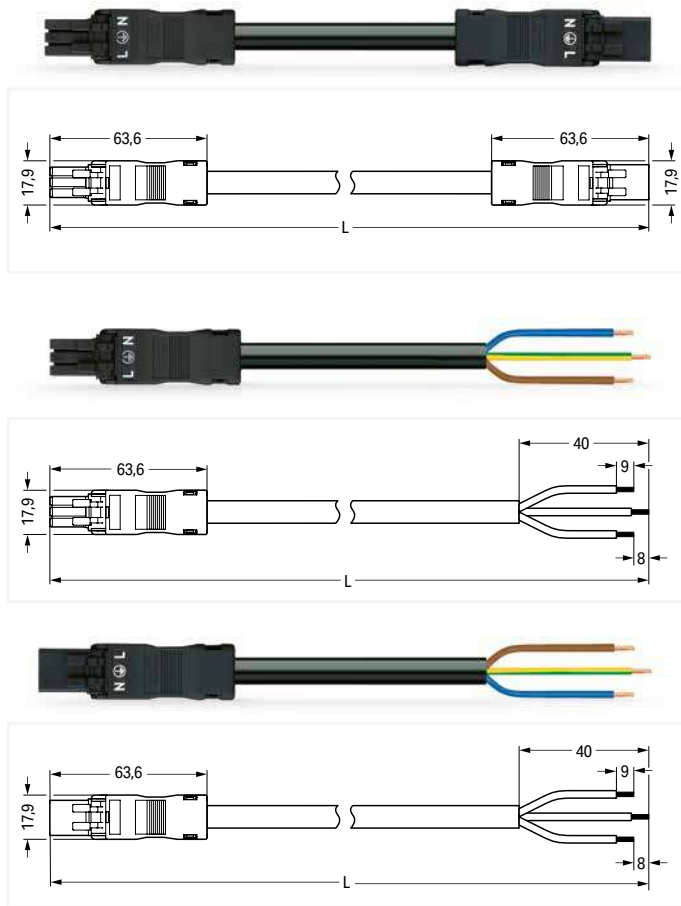
Color	Item no.	PU
● black	890-310	100
○ white	890-311	100

PU = packaging unit; SPU = subpackaging unit; Dimensions in mm

Cable assembly ▶ WINSTA® MINI ▶ 891 Series

Pole number: 3 ▶ Fire class per EN 50575: E_{ca} ▶ Coding: A ▶ 1.5 mm² ▶ Marking: L ⊕ N ▶ Halogen-free ▶ Sheathed cable diameter: 7.4 ... 9.4 mm ▶ H05Z1Z1-F 3G1.5 ▶ General mains applications

1



Interconnecting cable ▶ Socket - Plug ▶ Protection type: IP20; IP40 when mated			
Total length	Connector color / Strain relief color		PU
	black / black	white / white	
1 m	891-8993/016-101	891-8993/016-102	1
2 m	891-8993/016-201	891-8993/016-202	1
3 m	891-8993/016-301	891-8993/016-302	1
4 m	891-8993/016-401	891-8993/016-402	1
5 m	891-8993/016-501	891-8993/016-502	1
6 m	891-8993/016-601	891-8993/016-602	1
7 m	891-8993/016-701	891-8993/016-702	1
8 m	891-8993/016-801	891-8993/016-802	1

Connecting cable ▶ Socket - free end ▶ Protection type: IP40			
Total length	Connector color / Strain relief color		PU
	black / black	white / white	
1 m	891-8993/116-101	891-8993/116-102	1
2 m	891-8993/116-201	891-8993/116-202	1
3 m	891-8993/116-301	891-8993/116-302	1
4 m	891-8993/116-401	891-8993/116-402	1
5 m	891-8993/116-501	891-8993/116-502	1
6 m	891-8993/116-601	891-8993/116-602	1
7 m	891-8993/116-701	891-8993/116-702	1
8 m	891-8993/116-801	891-8993/116-802	1

Connecting cable ▶ Plug - free end ▶ Protection type: IP20; IP40 when mated			
Total length	Connector color / Strain relief color		PU
	black / black	white / white	
1 m	891-8993/216-101	891-8993/216-102	1
2 m	891-8993/216-201	891-8993/216-202	1
3 m	891-8993/216-301	891-8993/216-302	1
4 m	891-8993/216-401	891-8993/216-402	1
5 m	891-8993/216-501	891-8993/216-502	1
6 m	891-8993/216-601	891-8993/216-602	1
7 m	891-8993/216-701	891-8993/216-702	1
8 m	891-8993/216-801	891-8993/216-802	1

Accessories; for all products on this page



Locking lever; for flying leads; manually operated



Locking lever; for flying leads; tool operated



Mounting carrier; for flying leads; 2- to 5-pole

Color	Item no.	PU (SPU)
● black	890-101	100 (50)
○ white	890-121	100 (50)

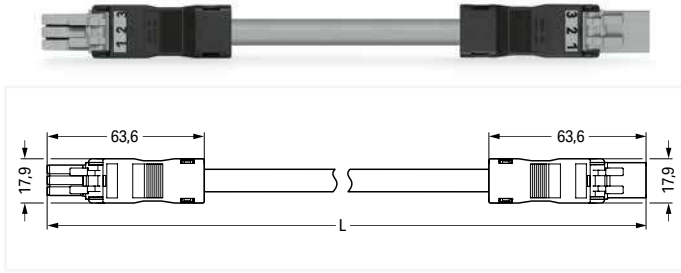
Color	Item no.	PU (SPU)
● black	890-111	100 (50)
○ white	890-131	100 (50)

Color	Item no.	PU
● black	890-310	100
○ white	890-311	100

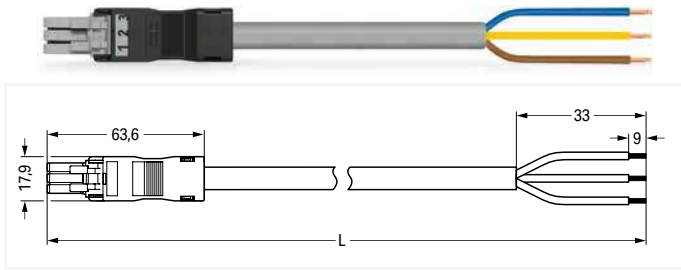
PU = packaging unit; SPU = subpackaging unit; Dimensions in mm

Cable assembly ▶ WINSTA® MINI ▶ 891 Series

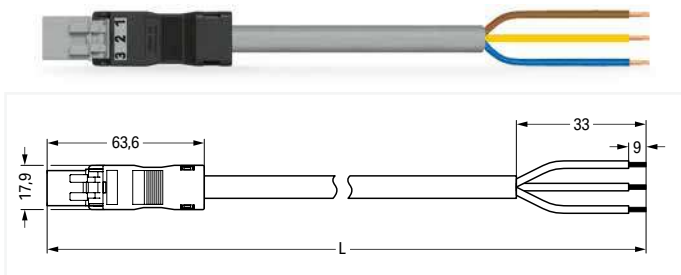
Pole number: 3 ▶ Fire class per EN 50575: E_{ca} ▶ Coding: B ▶ 1 mm² ▶ Marking: 1 2 3 ▶ PVC ▶ Sheathed cable diameter: 6.3 ... 8 mm ▶ Control line 3 x 1 ▶ Control technology



Interconnecting cable ▶ Socket - Plug ▶ Protection type: IP20; IP40 when mated				
Total length	Connector color / Strain relief color			PU
	gray / black	light green / black	pink / black	
1 m	891-8993/005-103	891-8993/005-105	891-8993/005-107	1
2 m	891-8993/005-203	891-8993/005-205	891-8993/005-207	1
3 m	891-8993/005-303	891-8993/005-305	891-8993/005-307	1
4 m	891-8993/005-403	891-8993/005-405	891-8993/005-407	1
5 m	891-8993/005-503	891-8993/005-505	891-8993/005-507	1
6 m	891-8993/005-603	891-8993/005-605	891-8993/005-607	1
7 m	891-8993/005-703	891-8993/005-705	891-8993/005-707	1
8 m	891-8993/005-803	891-8993/005-805	891-8993/005-807	1



Connecting cable ▶ Socket - free end ▶ Protection type: IP40				
Total length	Connector color / Strain relief color			PU
	gray / black	light green / black	pink / black	
1 m	891-8993/105-103	891-8993/105-105	891-8993/105-107	1
2 m	891-8993/105-203	891-8993/105-205	891-8993/105-207	1
3 m	891-8993/105-303	891-8993/105-305	891-8993/105-307	1
4 m	891-8993/105-403	891-8993/105-405	891-8993/105-407	1
5 m	891-8993/105-503	891-8993/105-505	891-8993/105-507	1
6 m	891-8993/105-603	891-8993/105-605	891-8993/105-607	1
7 m	891-8993/105-703	891-8993/105-705	891-8993/105-707	1
8 m	891-8993/105-803	891-8993/105-805	891-8993/105-807	1



Connecting cable ▶ Plug - free end ▶ Protection type: IP20; IP40 when mated				
Total length	Connector color / Strain relief color			PU
	gray / black	light green / black	pink / black	
1 m	891-8993/205-103	891-8993/205-105	891-8993/205-107	1
2 m	891-8993/205-203	891-8993/205-205	891-8993/205-207	1
3 m	891-8993/205-303	891-8993/205-305	891-8993/205-307	1
4 m	891-8993/205-403	891-8993/205-405	891-8993/205-407	1
5 m	891-8993/205-503	891-8993/205-505	891-8993/205-507	1
6 m	891-8993/205-603	891-8993/205-605	891-8993/205-607	1
7 m	891-8993/205-703	891-8993/205-705	891-8993/205-707	1
8 m	891-8993/205-803	891-8993/205-805	891-8993/205-807	1

Accessories; for all products on this page



Locking lever; for flying leads; manually operated



Locking lever; for flying leads; tool operated



Mounting carrier; for flying leads; 2- to 5-pole

Color	Item no.	PU (SPU)
● black	890-101	100 (50)
○ white	890-121	100 (50)

Color	Item no.	PU (SPU)
● black	890-111	100 (50)
○ white	890-131	100 (50)

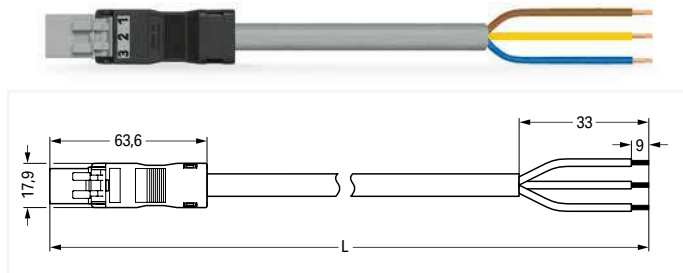
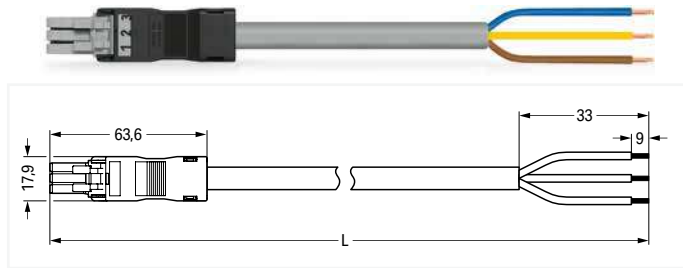
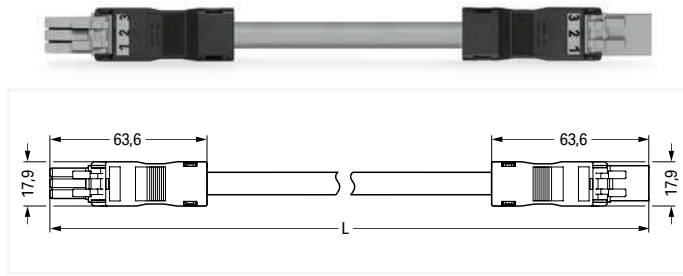
Color	Item no.	PU
● black	890-310	100
○ white	890-311	100

PU = packaging unit; SPU = subpackaging unit; Dimensions in mm

Cable assembly ▶ WINSTA® MINI ▶ 891 Series

Pole number: 3 ▶ Fire class per EN 50575: E_{ca} ▶ Coding: B ▶ 1.5 mm² ▶ Marking: 1 2 3 ▶ PVC ▶ Sheathed cable diameter: 7.4 ... 9.4 mm ▶ Control line 3 x 1.5 ▶ Control technology

1



Interconnecting cable ▶ Socket - Plug ▶ Protection type: IP20; IP40 when mated

Total length	Connector color / Strain relief color			PU
	gray / black	light green / black	pink / black	
1 m	891-8993/006-103	891-8993/006-105	891-8993/006-107	1
2 m	891-8993/006-203	891-8993/006-205	891-8993/006-207	1
3 m	891-8993/006-303	891-8993/006-305	891-8993/006-307	1
4 m	891-8993/006-403	891-8993/006-405	891-8993/006-407	1
5 m	891-8993/006-503	891-8993/006-505	891-8993/006-507	1
6 m	891-8993/006-603	891-8993/006-605	891-8993/006-607	1
7 m	891-8993/006-703	891-8993/006-705	891-8993/006-707	1
8 m	891-8993/006-803	891-8993/006-805	891-8993/006-807	1

Connecting cable ▶ Socket - free end ▶ Protection type: IP40

Total length	Connector color / Strain relief color			PU
	gray / black	light green / black	pink / black	
1 m	891-8993/106-103	891-8993/106-105	891-8993/106-107	1
2 m	891-8993/106-203	891-8993/106-205	891-8993/106-207	1
3 m	891-8993/106-303	891-8993/106-305	891-8993/106-307	1
4 m	891-8993/106-403	891-8993/106-405	891-8993/106-407	1
5 m	891-8993/106-503	891-8993/106-505	891-8993/106-507	1
6 m	891-8993/106-603	891-8993/106-605	891-8993/106-607	1
7 m	891-8993/106-703	891-8993/106-705	891-8993/106-707	1
8 m	891-8993/106-803	891-8993/106-805	891-8993/106-807	1

Connecting cable ▶ Plug - free end ▶ Protection type: IP20; IP40 when mated

Total length	Connector color / Strain relief color			PU
	gray / black	light green / black	pink / black	
1 m	891-8993/206-103	891-8993/206-105	891-8993/206-107	1
2 m	891-8993/206-203	891-8993/206-205	891-8993/206-207	1
3 m	891-8993/206-303	891-8993/206-305	891-8993/206-307	1
4 m	891-8993/206-403	891-8993/206-405	891-8993/206-407	1
5 m	891-8993/206-503	891-8993/206-505	891-8993/206-507	1
6 m	891-8993/206-603	891-8993/206-605	891-8993/206-607	1
7 m	891-8993/206-703	891-8993/206-705	891-8993/206-707	1
8 m	891-8993/206-803	891-8993/206-805	891-8993/206-807	1

Accessories; for all products on this page



Locking lever; for flying leads; manually operated



Locking lever; for flying leads; tool operated



Mounting carrier; for flying leads; 2- to 5-pole

Color	Item no.	PU (SPU)
● black	890-101	100 (50)
○ white	890-121	100 (50)

Color	Item no.	PU (SPU)
● black	890-111	100 (50)
○ white	890-131	100 (50)

Color	Item no.	PU
● black	890-310	100
○ white	890-311	100

PU = packaging unit; SPU = subpackaging unit; Dimensions in mm

Pluggable connectors ▶ WINSTA® MINI ▶ 890 Series

Pole number: 4

1



- Protected against mismatching and maintenance-free
- Push-in CAGE CLAMP® spring pressure connection technology for direct termination of solid conductors
- Low profile with 4.4 mm pole spacing
- When assembled, the installation connectors comply with IP40 and are suitable for easily accessible areas.

Electrical data						
Coding	A			B		
Ratings per	IEC/EN 60664-1			IEC/EN 60664-1		
Overvoltage category	III	III	II	III	III	II
Pollution degree	3	2	2	3	2	2
Nominal voltage	400 V	-	-	400 V	-	-
Rated surge voltage	6 kV	-	-	6 kV	-	-
Rated current	16 A	-	-	16 A	-	-
Note (rated current)				13 A for 3-pole load 10 A for 4-pole load		
Approvals per	UL 1977			UL 1977		
Rated voltage	600 V			600 V		
Rated current	12 A			12 A		

Connection data	
Connection technology	Push-in CAGE CLAMP®
Strip length	9 mm / 0.35 inches
Nominal cross-section	1.5 mm ² / 16 AWG
Solid conductor	0.25 ... 1.5 mm ² / 22 ... 16 AWG
Solid conductor; push-in termination	0.75 ... 1.5 mm ² / 20 ... 16 AWG
Stranded conductor	0.25 ... 1 mm ² / 22 ... 18 AWG
Fine-stranded conductor	0.25 ... 1.5 mm ² / 22 ... 16 AWG
Fine-stranded conductor; with insulated ferrule	0.25 ... 0.75 mm ² / 22 ... 20 AWG
Fine-stranded conductor; with uninsulated ferrule	0.25 ... 0.75 mm ² / 22 ... 20 AWG
Fine-stranded conductor; with ferrule; push-in termination	0.75 mm ² / 20 AWG

Material Data	
Material group	I
Insulation material	Polyamide (PA66)
Flammability class per UL94	V0
Clamping spring material	Chrome-nickel spring steel (CrNi)
Contact material	Copper or copper alloy; surface-treated
Contact plating	Tin

Mechanical Data	
Number of mating cycles	200, without resistive load
Mating force of a plug-in connection	approx. 20 ... 70 N (depending on pole number)
Unmating force of a plug-in connection	Unlocked: approx. 20 ... 70 N (depending on pole number)
Retention force of a plug-in connection	Locked: > 80 N

Environmental requirements	
Processing temperature	-5 ... +40 °C
Continuous operating temperature	-35 ... +85 °C
Note on continuous operating temperature	Insulating parts for temperatures ≤ 105 °C

All WINSTA® components are 100% protected against mismatching when:

- plugging different numbers of poles
- plugging while rotated 180
- plugging while laterally staggered
- plugging one pole

All connectors for mounted installations (snap-in versions for lighting fixtures or devices, all types of PCB and distribution connectors) are factory-equipped with locking levers to ensure plugs and sockets are securely locked. Additional locking levers are only required for flying leads (plug/socket).

Cover [Page 368](#)

Shield termination [Page 367](#)

Tool [Page 392](#)

See technical section for further information

Approvals and corresponding ratings, visit www.wago.com

Pluggable connectors ► WINSTA® MINI ► 890 Series

Pole number: 4

Strain relief housing ► Female connector/socket ► Strip length (outer insulation): 45 mm ► Connectable sheathed cable diameter: 6.5 ... 10.5 mm ► Protection type: IP40

Strain relief housing ► Male connector/plug ► Strip length (outer insulation): 45 mm ► Connectable sheathed cable diameter: 6.5 ... 10.5 mm ► Protection type: IP40



1

890-104

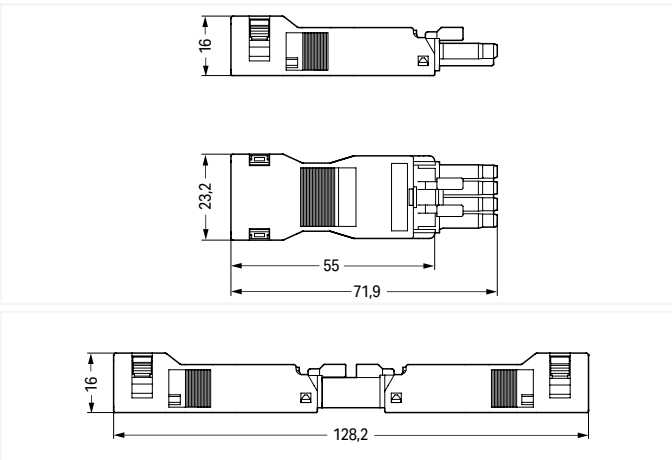
890-114

General mains applications

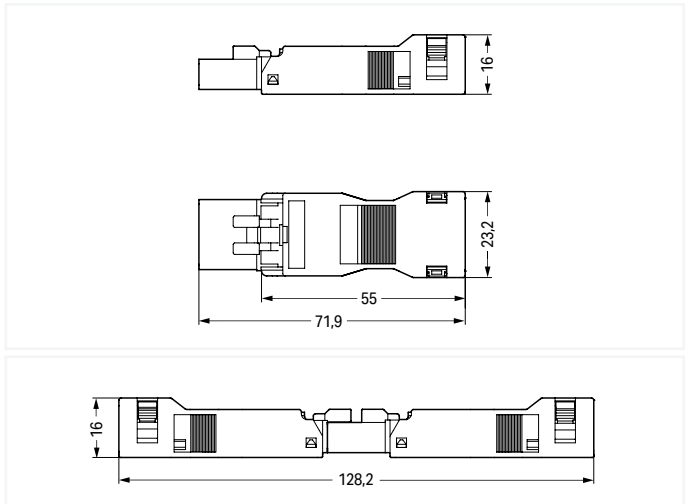
Color	Coding	Marking	Item no.	PU
● black	A	N ⊕ 2/L 1/L'	890-104	50
○ white	A	N ⊕ 2/L 1/L'	890-124	50

General mains applications

Color	Coding	Marking	Item no.	PU
● black	A	1/L' 2/L ⊕ N	890-114	50
○ white	A	1/L' 2/L ⊕ N	890-134	50



Overall length when mated



Overall length when mated

Accessories; for all products on this page



Locking lever; for flying leads; manually operated

Color	Item no.	PU (SPU)
● black	890-101	100 (50)
○ white	890-121	100 (50)



Locking lever; for flying leads; tool operated

Color	Item no.	PU (SPU)
● black	890-111	100 (50)
○ white	890-131	100 (50)



Mounting carrier; for flying leads; 2- to 5-pole

Color	Item no.	PU
● black	890-310	100
○ white	890-311	100



Operating tool; for WAGO WINSTA® MINI Connectors; Pole number: 4

Color	Item no.	PU
● green	890-384	1

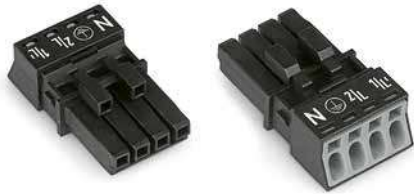
PU = packaging unit; SPU = subpackaging unit; Dimensions in mm

Pluggable connectors ▶ WINSTA® MINI ▶ 890 Series

Pole number: 4

Female connector/socket ▶ Protection type: IP20; IP40 with strain relief housing

Male connector/plug ▶ Protection type: IP20; IP40 when mated with strain relief housing



1

890-204

890-214

General mains applications

Color	Coding	Marking	Item no.	PU
● black	A	N ⊕ 2/L 1/L'	890-204	50
○ white	A	N ⊕ 2/L 1/L'	890-224	50

Control technology

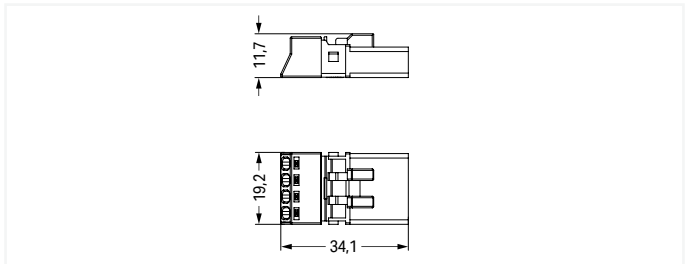
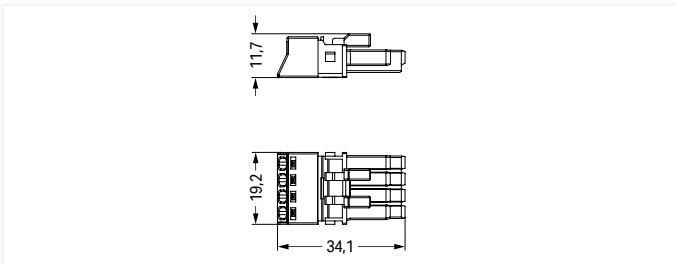
Color	Coding	Marking	Item no.	PU
○ gray	B	1 2 3 4	890-244	50
○ gray	B	N ⊕ 2/L 1/L'	890-244/060-000	50
○ gray	B	3 PE 2 1	890-244/062-000	50
○ gray	B	2L ⊕ 1L L	890-244/064-000	50
● light green	B	1 2 3 4	890-264	50
● light green	B	U- S U+ X/Y	890-264/071-000	50
● light green	B	U- U+ DI AI	890-264/072-000	50
● light green	B	1 ⊕ 2 3	890-264/073-000	50
● pink	B	1 2 3 4	890-284	50
● pink	B	1 2 5 3	890-284/081-000	50

General mains applications

Color	Coding	Marking	Item no.	PU
● black	A	1/L' 2/L ⊕ N	890-214	50
○ white	A	1/L' 2/L ⊕ N	890-234	50

Control technology

Color	Coding	Marking	Item no.	PU
○ gray	B	4 3 2 1	890-254	50
○ gray	B	1/L' 2/L ⊕ N	890-254/060-000	50
○ gray	B	1 2 PE 3	890-254/062-000	50
○ gray	B	L 1L ⊕ 2L	890-254/064-000	50
● light green	B	4 3 2 1	890-274	50
● light green	B	X/Y U+ S U-	890-274/071-000	50
● light green	B	AI DI U+ U-	890-274/072-000	50
● light green	B	3 2 ⊕ 1	890-274/073-000	50
● pink	B	4 3 2 1	890-294	50
● pink	B	3 5 2 1	890-294/081-000	50



Accessories; for all products on this page



Locking lever; for flying leads; manually operated

Color	Item no.	PU (SPU)
● black	890-101	100 (50)
○ white	890-121	100 (50)



Locking lever; for flying leads; tool operated

Color	Item no.	PU (SPU)
● black	890-111	100 (50)
○ white	890-131	100 (50)



Mounting carrier; for flying leads; 2- to 5-pole

Color	Item no.	PU
● black	890-310	100
○ white	890-311	100



Operating tool; for WAGO WINSTA® MINI Connectors; Pole number: 4

Color	Item no.	PU
● green	890-384	1



Strain relief housing; Connectable sheathed cable diameter: 6.5 ... 10.5 mm; Strip length (outer insulation): 45 mm

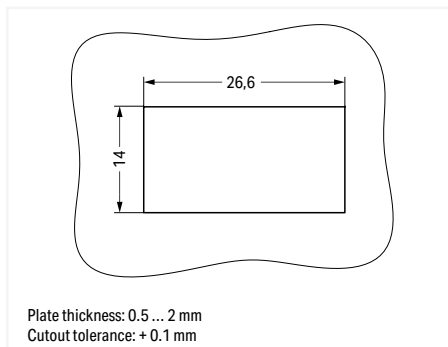
Color	Item no.	PU
● black	890-504	50
○ white	890-514	50

PU = packaging unit; SPU = subpackaging unit; Dimensions in mm

Snap-in device connector ▶ WINSTA® MINI ▶ 890 Series

Pole number: 4

1



- Protected against mismatching and maintenance-free
- Push-in CAGE CLAMP® spring pressure connection technology allows solid conductors to be simply pushed into a unit.
- Low profile with 4.4 mm pole spacing
- When assembled, the installation connectors comply with IP40 and are suitable for easily accessible areas.

Electrical data						
Coding	A			B		
Ratings per	IEC/EN 60664-1			IEC/EN 60664-1		
Overvoltage category	III	III	II	III	III	II
Pollution degree	3	2	2	3	2	2
Nominal voltage	400 V	-	-	400 V	-	-
Rated surge voltage	6 kV	-	-	6 kV	-	-
Rated current	16 A	-	-	16 A	-	-
Note (rated current)				13 A for 3-pole load 10 A for 4-pole load		
Approvals per	UL 1977			UL 1977		
Rated voltage	600 V			600 V		
Rated current	12 A			12 A		

Connection data	
Connection technology	Push-in CAGE CLAMP®
Strip length	9 mm / 0.35 inches
Nominal cross-section	1.5 mm ² / 16 AWG
Solid conductor	0.25 ... 1.5 mm ² / 22 ... 16 AWG
Solid conductor; push-in termination	0.75 ... 1.5 mm ² / 20 ... 16 AWG
Stranded conductor	0.25 ... 1 mm ² / 22 ... 18 AWG
Fine-stranded conductor	0.25 ... 1.5 mm ² / 22 ... 16 AWG
Fine-stranded conductor; with insulated ferrule	0.25 ... 0.75 mm ² / 22 ... 20 AWG
Fine-stranded conductor; with uninsulated ferrule	0.25 ... 0.75 mm ² / 22 ... 20 AWG
Fine-stranded conductor; with ferrule; push-in termination	0.75 mm ² / 20 AWG

Material Data	
Insulation material	Polyamide (PA66)
Clamping spring material	Chrome-nickel spring steel (CrNi)
Contact material	Copper or copper alloy; surface-treated
Contact plating	Tin

Mechanical Data	
Number of mating cycles	200, without resistive load
Mating force of a plug-in connection	approx. 20 ... 70 N (depending on pole number)
Unmating force of a plug-in connection	Unlocked: approx. 20 ... 70 N (depending on pole number)
Retention force of a plug-in connection	Locked: > 80 N

Environmental requirements	
Processing temperature	-5 ... +40 °C
Continuous operating temperature	-35 ... +85 °C
Note on continuous operating temperature	Insulating parts for temperatures ≤ 105 °C

All WINSTA® components are 100% protected against mismatching when:

- plugging different numbers of poles
- plugging while rotated 180
- plugging while laterally staggered
- plugging one pole

All connectors for mounted installations (snap-in versions for lighting fixtures or devices, all types of PCB and distribution connectors) are factory-equipped with locking levers to ensure plugs and sockets are securely locked. Additional locking levers are only required for flying leads (plug/socket).

Tool Page 392

See technical section for further information

Approvals and corresponding ratings, visit www.wago.com

Snap-in device connector ▶ WINSTA® MINI ▶ 890 Series

Pole number: 4

Female connector/socket ▶ Protection type: IP40

Male connector/plug ▶ Protection type: IP20; IP40 when mated



1

890-704

890-714

General mains applications

Color	Coding	Marking	Item no.	PU (SPU)
● black	A	N ⊕ 2/L 1/L'	890-704	50 (50)
○ white	A	N ⊕ 2/L 1/L'	890-724	50 (50)

Control technology

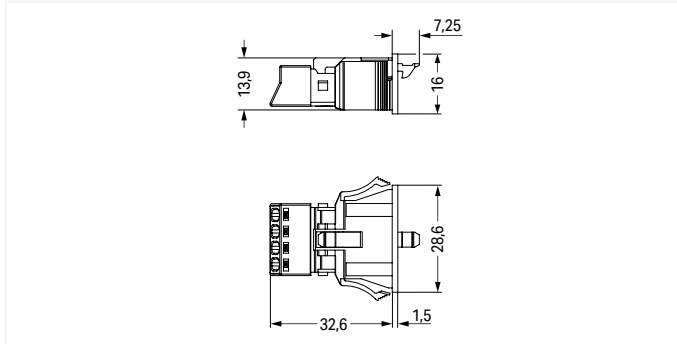
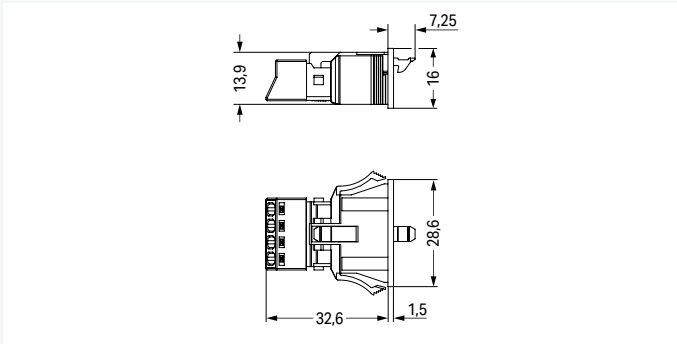
Color	Coding	Marking	Item no.	PU (SPU)
○ gray	B	1 2 3 4	890-744	50 (50)
○ gray	B	N ⊕ 2/L 1/L'	890-744/060-000	50 (50)
○ gray	B	3 PE 2 1	890-744/062-000	50 (50)
○ gray	B	2L ⊕ 1L L	890-744/064-000	50 (50)
● light green	B	1 2 3 4	890-764	50 (50)
● light green	B	U- S U+ X/Y	890-764/071-000	50 (50)
● light green	B	U- U+ DI AI	890-764/072-000	50 (50)
● light green	B	1 ⊕ 2 3	890-764/073-000	50 (50)
● pink	B	1 2 3 4	890-784	50 (50)
● pink	B	1 2 5 3	890-784/081-000	50 (50)

General mains applications

Color	Coding	Marking	Item no.	PU (SPU)
● black	A	1/L' 2/L ⊕ N	890-714	50 (50)
○ white	A	1/L' 2/L ⊕ N	890-734	50 (50)

Control technology

Color	Coding	Marking	Item no.	PU (SPU)
○ gray	B	4 3 2 1	890-754	50 (50)
○ gray	B	1/L' 2/L ⊕ N	890-754/060-000	50 (50)
○ gray	B	1 2 PE 3	890-754/062-000	50 (50)
○ gray	B	L 1L ⊕ 2L	890-754/064-000	50 (50)
● light green	B	4 3 2 1	890-774	50 (50)
● light green	B	X/Y U+ S U-	890-774/071-000	50 (50)
● light green	B	AI DI U+ U-	890-774/072-000	50 (50)
● light green	B	3 2 ⊕ 1	890-774/073-000	50 (50)
● pink	B	4 3 2 1	890-794	50 (50)
● pink	B	3 5 2 1	890-794/081-000	50 (50)



Accessories; for all products on this page



Operating tool; for WAGO WINSTA® MINI Connectors; Pole number: 4



Lockout cap; for cutout; Pole number: 4

Color	Item no.	PU
● green	890-384	1

Color	Item no.	PU
● black	890-644	100
○ white	890-694	100

PU = packaging unit; SPU = subpackaging unit; Dimensions in mm

Pluggable PCB connector ▶ WINSTA® MINI ▶ 890 Series

Pole number: 4

1



- Protected against mismatching and maintenance-free
- Push-in CAGE CLAMP® spring pressure connection technology allows solid conductors to be simply pushed into a unit.
- Low profile with 4.4 mm pole spacing

Electrical data						
Coding	A			B		
Ratings per	IEC/EN 60664-1			IEC/EN 60664-1		
Overvoltage category	III	III	II	III	III	II
Pollution degree	3	2	2	3	2	2
Nominal voltage	250 V	-	-	250 V	-	-
Rated surge voltage	4 kV	-	-	4 kV	-	-
Rated current	16 A	-	-	16 A	-	-
Note (rated current)				13 A for 3-pole load 10 A for 4-pole load		
Approvals per	UL 1977			UL 1977		
Rated voltage	600 V			600 V		
Rated current	12 A			12 A		
Material Data						
Material group	I					
Insulation material	Polyamide (PA66)					
Flammability class per UL94	V0					
Clamping spring material	Chrome-nickel spring steel (CrNi)					
Contact material	Copper or copper alloy; surface-treated					
Contact plating	Tin					
Mechanical Data						
Solder pin arrangement	2 in-line solder pins/pole					
Number of solder pins per potential	2					
Solder pin length	3.5 mm					
Solder pin dimensions	1 x 0.8 mm					
Drilled hole diameter with tolerance	1.3 ^(+0.1) mm					
Mating force of a plug-in connection	approx. 20 ... 70 N (depending on pole number)					
Unmating force of a plug-in connection	Unlocked: approx. 20 ... 70 N (depending on pole number)					
Retention force of a plug-in connection	Locked: > 80 N					
Environmental requirements						
Processing temperature	-5 ... +40 °C					
Continuous operating temperature	-35 ... +85 °C					
Note on continuous operating temperature	Insulating parts for temperatures ≤ 105 °C					

All WINSTA® components are 100% protected against mismatching when:

- plugging different numbers of poles
- plugging while rotated 180
- plugging while laterally staggered
- plugging one pole

All connectors for mounted installations (snap-in versions for lighting fixtures or devices, all types of PCB and distribution connectors) are factory-equipped with locking levers to ensure plugs and sockets are securely locked. Additional locking levers are only required for flying leads (plug/socket).

See technical section for further information

Approvals and corresponding ratings, visit www.wago.com

Pluggable PCB connector ▶ WINSTA® MINI ▶ 890 Series

Pole number: 4

straight ▶ Female connector/socket

straight ▶ Male connector/plug



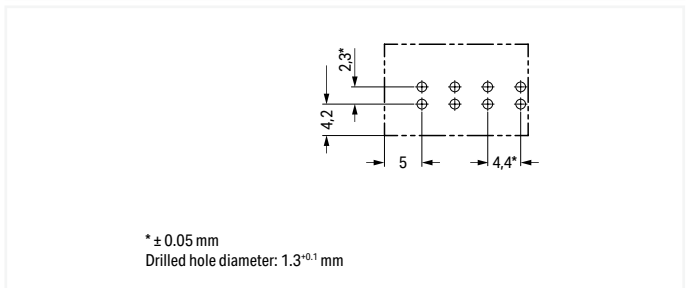
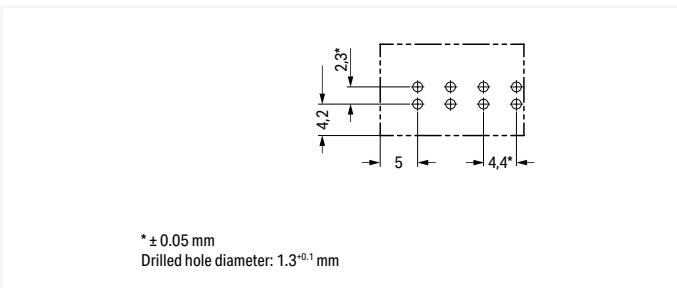
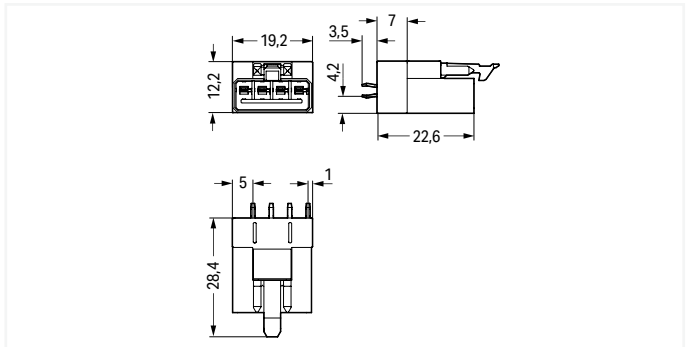
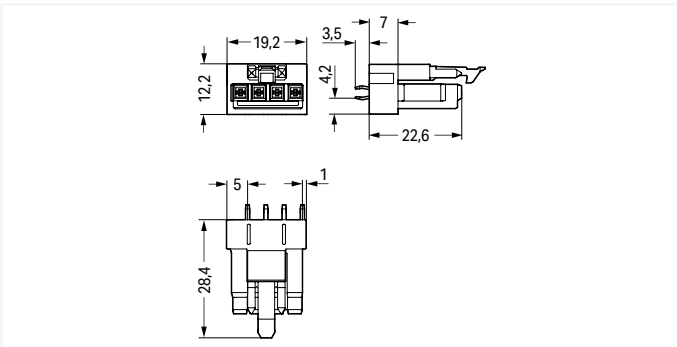
1

890-804

General mains applications				
Color	Coding	Marking	Item no.	PU
● black	A	N ⊕ 2/L 1/L'	890-804	50
○ white	A	N ⊕ 2/L 1/L'	890-824	50
Control technology				
Color	Coding	Marking	Item no.	PU
○ gray	B	1 2 3 4	890-844	50
● light green	B	1 2 3 4	890-864	50
● pink	B	1 2 3 4	890-884	50

890-814

General mains applications				
Color	Coding	Marking	Item no.	PU
● black	A	1/L' 2/L ⊕ N	890-814	50
○ white	A	1/L' 2/L ⊕ N	890-834	50
Control technology				
Color	Coding	Marking	Item no.	PU
○ gray	B	4 3 2 1	890-854	50
● light green	B	4 3 2 1	890-874	50
● pink	B	4 3 2 1	890-894	50



PU = packaging unit; SPU = subpackaging unit; Dimensions in mm

Pluggable PCB connector ▶ WINSTA® MINI ▶ 890 Series

Pole number: 4

angled ▶ Female connector/socket

angled ▶ Male connector/plug



1

890-804/011-000

890-814/011-000

General mains applications

Color	Coding	Marking	Item no.	PU
● black	A	N ⊕ 2/L 1/L'	890-804/011-000	50
○ white	A	N ⊕ 2/L 1/L'	890-824/011-000	50

Control technology

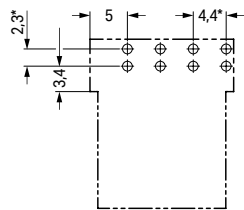
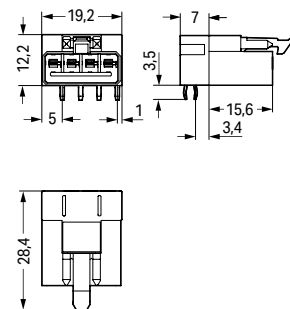
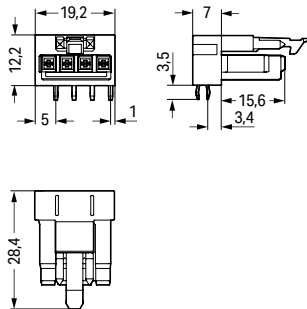
Color	Coding	Marking	Item no.	PU
○ gray	B	1 2 3 4	890-844/011-000	50
● light green	B	1 2 3 4	890-864/011-000	50
● pink	B	1 2 3 4	890-884/011-000	50

General mains applications

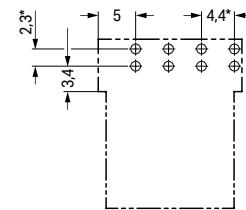
Color	Coding	Marking	Item no.	PU
● black	A	1/L' 2/L ⊕ N	890-814/011-000	50
○ white	A	1/L' 2/L ⊕ N	890-834/011-000	50

Control technology

Color	Coding	Marking	Item no.	PU
○ gray	B	4 3 2 1	890-854/011-000	50
● light green	B	4 3 2 1	890-874/011-000	50
● pink	B	4 3 2 1	890-894/011-000	50



* ± 0.05 mm
Drilled hole diameter: 1.3^{+0.1} mm



* ± 0.05 mm
Drilled hole diameter: 1.3^{+0.1} mm

Distribution connector ▶ WINSTA® MINI ▶ 890 Series

Pole number: 4 ▶ Protection type: IP20; IP40 when mated



- Protected against mismatching and maintenance-free
- Low profile with 4.4 mm pole spacing

Electrical data						
Coding	A			B		
Ratings per	IEC/EN 60664-1			IEC/EN 60664-1		
Overvoltage category	III	III	II	III	III	II
Pollution degree	3	2	2	3	2	2
Nominal voltage	400 V	-	-	400 V	-	-
Rated surge voltage	6 kV	-	-	6 kV	-	-
Rated current	16 A	-	-	16 A	-	-
Note (rated current)				13 A for 3-pole load 10 A for 4-pole load		
Approvals per	UL 1977			UL 1977		
Rated voltage	600 V			600 V		
Rated current	12 A			12 A		
Material Data						
Insulation material	Polyamide (PA66)					
Flammability class per UL94	V0					
Contact material	Copper or copper alloy; surface-treated					
Contact plating	Tin					
Mechanical Data						
Number of mating cycles	200, without resistive load					
Mating force of a plug-in connection	Approx. 20 ... 70 N (depending on pole number)					
Unmating force of a plug-in connection	Unlocked: approx. 20 ... 70 N (depending on pole number)					
Retention force of a plug-in connection	When locked: > 80 N					
Protection type	IP20					
Note on protection type	IP40 when mated					
Environmental requirements						
Processing temperature	-5 ... +40 °C					
Continuous operating temperature	-35 ... +85 °C					
Note on continuous operating temperature	Insulating parts for temperatures ≤ 105 °C					

At least one snap-in connector **without** a locking lever is required on one side when connecting two lights directly via intermediate coupler.

All WINSTA® components are 100% protected against mismatching when:

- plugging different numbers of poles
- plugging while rotated 180
- plugging while laterally staggered
- plugging one pole

All connectors for mounted installations (snap-in versions for lighting fixtures or devices, all types of PCB and distribution connectors) are factory-equipped with locking levers to ensure plugs and sockets are securely locked. Additional locking levers are only required for flying leads (plug/socket).

See technical section for further information

Approvals and corresponding ratings, visit www.wago.com

Distribution connector ▶ WINSTA® MINI ▶ 890 Series

Pole number: 4 ▶ Protection type: IP20; IP40 when mated

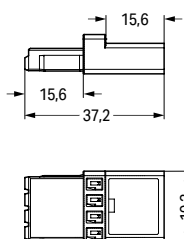
Intermediate coupler



890-604

General mains applications

Color	Coding	Marking	Item no.	PU
● black	A	-	890-604	50
○ white	A	-	890-654	50



Distribution connector ▶ WINSTA® MINI ▶ 890 Series

Pole number: 4 ▶ Protection type: IP20; IP40 when mated

T-distribution connector

Number of locking levers: 2

Number of locking levers: 3 ▶ for flying leads

1



890-626

890-627

General mains applications

Color	Coding	Marking	Item no.	PU
● black	A	N ⊕ 2/L 1/L'	890-626	25
○ white	A	N ⊕ 2/L 1/L'	890-676	25

Control technology

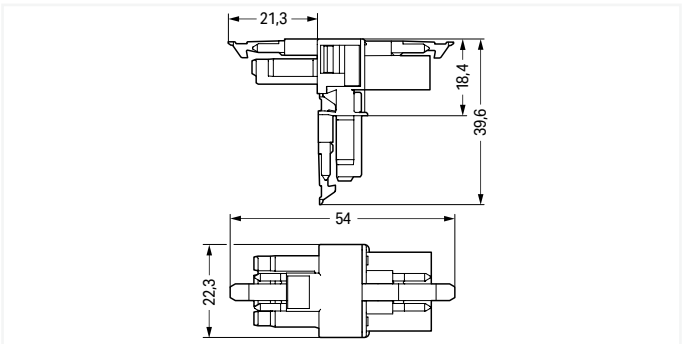
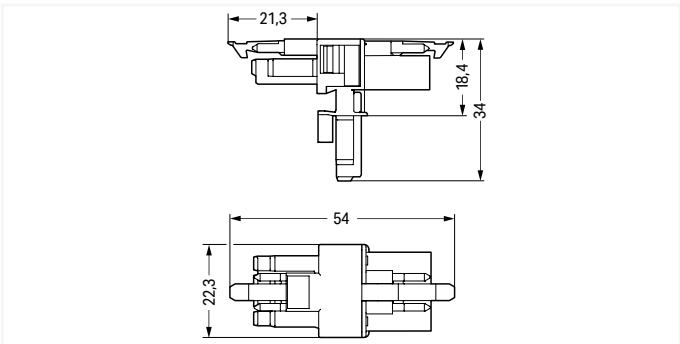
Color	Coding	Marking	Item no.	PU
○ gray	B	4 3 2 1	890-1631	25
● light green	B	4 3 2 1	890-1632	25
● pink	B	4 3 2 1	890-1633	25

General mains applications

Color	Coding	Marking	Item no.	PU
● black	A	N ⊕ 2/L 1/L'	890-627	25
○ white	A	N ⊕ 2/L 1/L'	890-677	25

Control technology

Color	Coding	Marking	Item no.	PU
○ gray	B	4 3 2 1	890-1731	25
● light green	B	4 3 2 1	890-1732	25
● pink	B	4 3 2 1	890-1733	25



PU = packaging unit; SPU = subpackaging unit; Dimensions in mm

Distribution connector ▶ WINSTA® MINI ▶ 890 Series

Pole number: 4 ▶ Protection type: IP20; IP40 when mated

h-distribution connector, outputs on one side

Number of locking levers: 2

Number of locking levers: 3 ▶ for flying leads

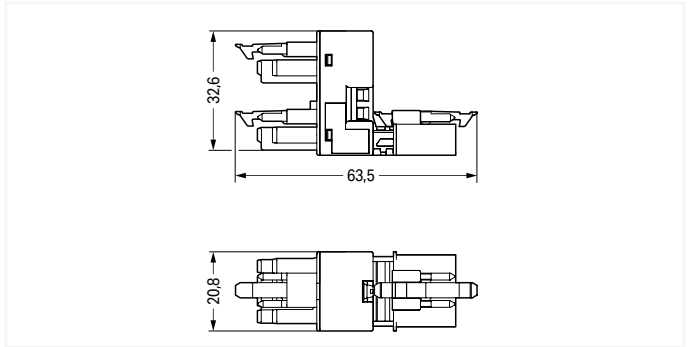
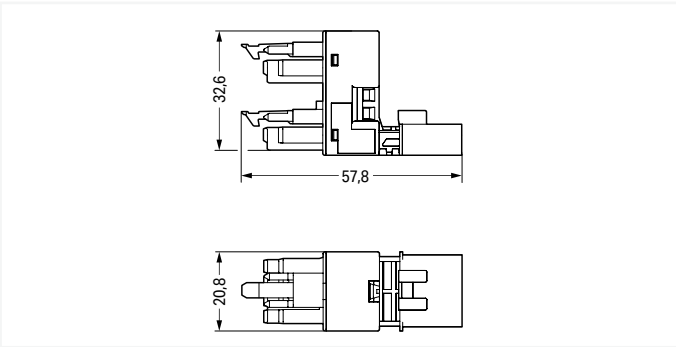


890-944

General mains applications				
Color	Coding	Marking	Item no.	PU
● black	A	N ⊕ 2/L 1/L'	890-944	50
○ white	A	N ⊕ 2/L 1/L'	890-994	50
Control technology				
Color	Coding	Marking	Item no.	PU
○ gray	B	1 2 3 4	890-1681	50
● light green	B	1 2 3 4	890-1682	50
● pink	B	1 2 3 4	890-1683	50

890-945

General mains applications				
Color	Coding	Marking	Item no.	PU
● black	A	N ⊕ 2/L 1/L'	890-945	50
○ white	A	N ⊕ 2/L 1/L'	890-995	50
Control technology				
Color	Coding	Marking	Item no.	PU
○ gray	B	1 2 3 4	890-1781	50
● light green	B	1 2 3 4	890-1782	50
● pink	B	1 2 3 4	890-1783	50



Accessories; for all products on this page



Mounting plate; for distribution connectors (except T-distribution connectors); 4-pole

Color	Item no.	PU (SPU)
● black	890-624	50 (50)
○ white	890-674	50 (50)

PU = packaging unit; SPU = subpackaging unit; Dimensions in mm

Distribution connector ▶ WINSTA® MINI ▶ 890 Series

Pole number: 4 ▶ Protection type: IP20; IP40 when mated

Distribution connector, 3-way ▶ Number of locking levers: 4

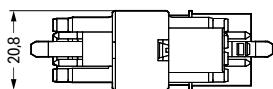
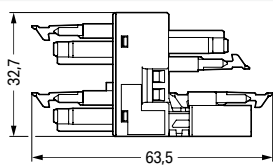
1



890-1734

Control technology

Color	Coding	Marking	Item no.	PU
○ gray	B	1 2 3 4	890-1734	50
● light green	B	1 2 3 4	890-1735	50
● pink	B	1 2 3 4	890-1736	50



Accessories; for all products on this page



Mounting plate; for distribution connectors (except T-distribution connectors); 4-pole

Color	Item no.	PU (SPU)
● black	890-624	50 (50)
○ white	890-674	50 (50)

PU = packaging unit; SPU = subpackaging unit; Dimensions in mm

Cable assembly ▶ WINSTA® MINI ▶ 891 Series

Pole number: 4 ▶ Fire class per EN 50575: E_{ca}

1



- Protected against mismatching and maintenance-free
- Low profile with 4.4 mm pole spacing

Electrical data									
Coding	A			B			B		
Wire cross-section	1.5 mm ²			1 mm ²			1.5 mm ²		
Ratings per	IEC/EN 60664-1			IEC/EN 60664-1			IEC/EN 60664-1		
Overtoltage category	III	III	II	III	III	II	III	III	II
Pollution degree	3	2	2	3	2	2	3	2	2
Nominal voltage	400 V	-	-	400 V	-	-	400 V	-	-
Rated surge voltage	6 kV	-	-	6 kV	-	-	6 kV	-	-
Rated current	16 A	-	-	10 A	-	-	16 A	-	-
Note (rated current)							13 A for 3-pole load 10 A for 4-pole load		
Material Data									
Insulation material	Polyamide (PA66)								
Contact material	Copper or copper alloy; surface-treated								
Contact plating	Tin								
Fire class per EN 50575	E _{ca}								
Mechanical Data									
Number of mating cycles	200, without resistive load								
Mating force of a plug-in connection	approx. 20 ... 70 N (depending on pole number)								
Unmating force of a plug-in connection	when unlocked: approx. 20 ... 70 N (depending on pole number)								
Retention force of a plug-in connection	when locked: > 80N								
Environmental requirements									
Processing temperature	-5 ... +40 °C								
Continuous operating temperature	-35 ... +85 °C								
Note on continuous operating temperature	Cable for temperatures ≤ 70 °C (including halogen-free) Insulating parts for temperatures ≤ 105 °C								

Cables with a different fire class can be found in the eShop.

All WINSTA® components are 100% protected against mismatching when:

- plugging different numbers of poles
- plugging while rotated 180
- plugging while laterally staggered
- plugging one pole

All connectors for mounted installations (snap-in versions for lighting fixtures or devices, all types of PCB and distribution connectors) are factory-equipped with locking levers to ensure plugs and sockets are securely locked. Additional locking levers are only required for flying leads (plug/socket).

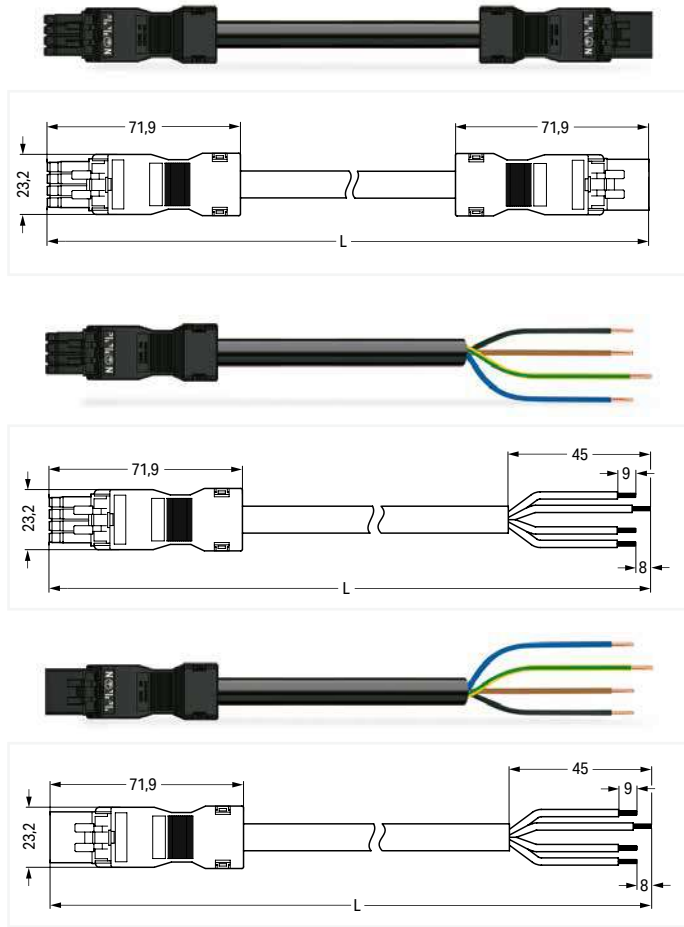
Cover Page 368

See technical section for further information

Approvals and corresponding ratings, visit www.wago.com

Cable assembly ▶ WINSTA® MINI ▶ 891 Series

Pole number: 4 ▶ Fire class per EN 50575: E_{Ca} ▶ Coding: A ▶ 1.5 mm² ▶ Marking: N ⊕ 2/L 1/L' ▶ PVC ▶ Sheathed cable diameter: 8.4 ... 10.5 mm ▶ H05VV-F 4G1.5 ▶ General mains applications



Interconnecting cable ▶ Socket - Plug ▶ Protection type: IP20; IP40 when mated

Total length	Connector color / Strain relief color		PU
	black / black	white / white	
1 m	891-8994/006-101	891-8994/006-102	1
2 m	891-8994/006-201	891-8994/006-202	1
3 m	891-8994/006-301	891-8994/006-302	1
4 m	891-8994/006-401	891-8994/006-402	1
5 m	891-8994/006-501	891-8994/006-502	1
6 m	891-8994/006-601	891-8994/006-602	1
7 m	891-8994/006-701	891-8994/006-702	1
8 m	891-8994/006-801	891-8994/006-802	1

Connecting cable ▶ Socket - free end ▶ Protection type: IP40

Total length	Connector color / Strain relief color		PU
	black / black	white / white	
1 m	891-8994/106-101	891-8994/106-102	1
2 m	891-8994/106-201	891-8994/106-202	1
3 m	891-8994/106-301	891-8994/106-302	1
4 m	891-8994/106-401	891-8994/106-402	1
5 m	891-8994/106-501	891-8994/106-502	1
6 m	891-8994/106-601	891-8994/106-602	1
7 m	891-8994/106-701	891-8994/106-702	1
8 m	891-8994/106-801	891-8994/106-802	1

Connecting cable ▶ Plug - free end ▶ Protection type: IP20; IP40 when mated

Total length	Connector color / Strain relief color		PU
	black / black	white / white	
1 m	891-8994/206-101	891-8994/206-102	1
2 m	891-8994/206-201	891-8994/206-202	1
3 m	891-8994/206-301	891-8994/206-302	1
4 m	891-8994/206-401	891-8994/206-402	1
5 m	891-8994/206-501	891-8994/206-502	1
6 m	891-8994/206-601	891-8994/206-602	1
7 m	891-8994/206-701	891-8994/206-702	1
8 m	891-8994/206-801	891-8994/206-802	1

Accessories; for all products on this page



Locking lever; for flying leads; manually operated



Locking lever; for flying leads; tool operated



Mounting carrier; for flying leads; 2- to 5-pole

Color	Item no.	PU (SPU)
● black	890-101	100 (50)
○ white	890-121	100 (50)

Color	Item no.	PU (SPU)
● black	890-111	100 (50)
○ white	890-131	100 (50)

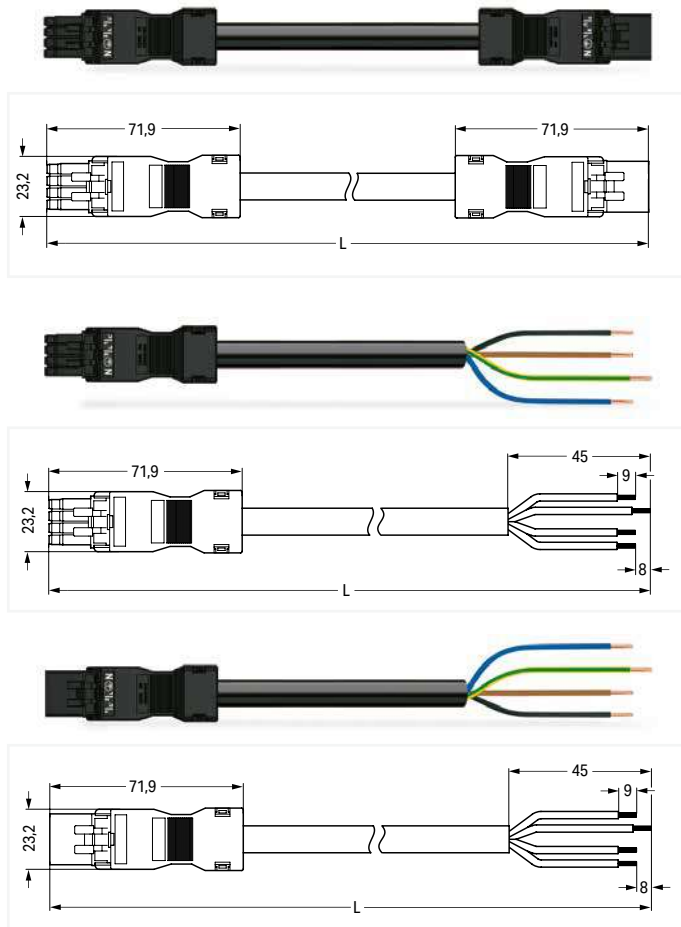
Color	Item no.	PU
● black	890-310	100
○ white	890-311	100

PU = packaging unit; SPU = subpackaging unit; Dimensions in mm

Cable assembly ▶ WINSTA® MINI ▶ 891 Series

Pole number: 4 ▶ Fire class per EN 50575: E_{ca} ▶ Coding: A ▶ 1.5 mm² ▶ Marking: N ⊕ 2/L 1/L' ▶ Halogen-free ▶ Sheathed cable diameter: 8.4 ... 10.5 mm ▶ H05Z1Z1-F 4G1.5 ▶ General mains applications

1



Interconnecting cable ▶ Socket - Plug ▶ Protection type: IP20; IP40 when mated			
Total length	Connector color / Strain relief color		PU
	black / black	white / white	
1 m	891-8994/016-101	891-8994/016-102	1
2 m	891-8994/016-201	891-8994/016-202	1
3 m	891-8994/016-301	891-8994/016-302	1
4 m	891-8994/016-401	891-8994/016-402	1
5 m	891-8994/016-501	891-8994/016-502	1
6 m	891-8994/016-601	891-8994/016-602	1
7 m	891-8994/016-701	891-8994/016-702	1
8 m	891-8994/016-801	891-8994/016-802	1

Connecting cable ▶ Socket - free end ▶ Protection type: IP40			
Total length	Connector color / Strain relief color		PU
	black / black	white / white	
1 m	891-8994/116-101	891-8994/116-102	1
2 m	891-8994/116-201	891-8994/116-202	1
3 m	891-8994/116-301	891-8994/116-302	1
4 m	891-8994/116-401	891-8994/116-402	1
5 m	891-8994/116-501	891-8994/116-502	1
6 m	891-8994/116-601	891-8994/116-602	1
7 m	891-8994/116-701	891-8994/116-702	1
8 m	891-8994/116-801	891-8994/116-802	1

Connecting cable ▶ Plug - free end ▶ Protection type: IP20; IP40 when mated			
Total length	Connector color / Strain relief color		PU
	black / black	white / white	
1 m	891-8994/216-101	891-8994/216-102	1
2 m	891-8994/216-201	891-8994/216-202	1
3 m	891-8994/216-301	891-8994/216-302	1
4 m	891-8994/216-401	891-8994/216-402	1
5 m	891-8994/216-501	891-8994/216-502	1
6 m	891-8994/216-601	891-8994/216-602	1
7 m	891-8994/216-701	891-8994/216-702	1
8 m	891-8994/216-801	891-8994/216-802	1

Accessories; for all products on this page



Locking lever; for flying leads; manually operated



Locking lever; for flying leads; tool operated



Mounting carrier; for flying leads; 2- to 5-pole

Color	Item no.	PU (SPU)
● black	890-101	100 (50)
○ white	890-121	100 (50)

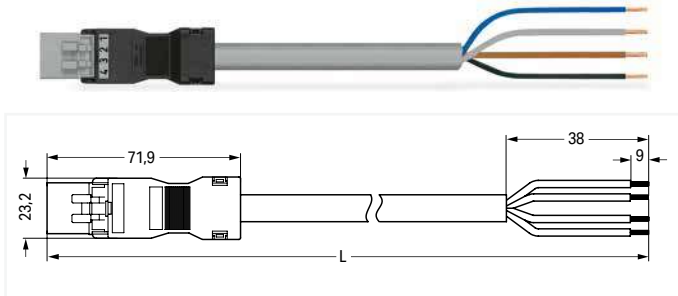
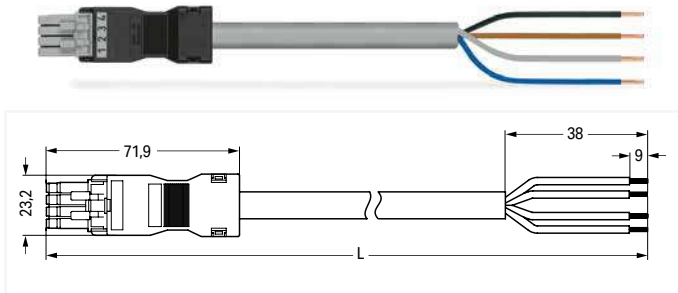
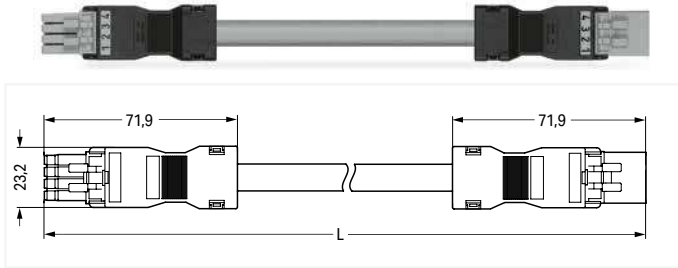
Color	Item no.	PU (SPU)
● black	890-111	100 (50)
○ white	890-131	100 (50)

Color	Item no.	PU
● black	890-310	100
○ white	890-311	100

PU = packaging unit; SPU = subpackaging unit; Dimensions in mm

Cable assembly ▶ WINSTA® MINI ▶ 891 Series

Pole number: 4 ▶ Fire class per EN 50575: E_{ca} ▶ Coding: B ▶ 1 mm² ▶ Marking: 1 2 3 4 ▶ PVC ▶ Sheathed cable diameter: 7.1 ... 9 mm ▶ Control line 4 x 1 ▶ Control technology



Interconnecting cable ▶ Socket - Plug ▶ Protection type: IP20; IP40 when mated

Total length	Connector color / Strain relief color			PU
	gray / black	light green / black	pink / black	
1 m	891-8994/005-103	891-8994/005-105	891-8994/005-107	1
2 m	891-8994/005-203	891-8994/005-205	891-8994/005-207	1
3 m	891-8994/005-303	891-8994/005-305	891-8994/005-307	1
4 m	891-8994/005-403	891-8994/005-405	891-8994/005-407	1
5 m	891-8994/005-503	891-8994/005-505	891-8994/005-507	1
6 m	891-8994/005-603	891-8994/005-605	891-8994/005-607	1
7 m	891-8994/005-703	891-8994/005-705	891-8994/005-707	1
8 m	891-8994/005-803	891-8994/005-805	891-8994/005-807	1

Connecting cable ▶ Socket - free end ▶ Protection type: IP40

Total length	Connector color / Strain relief color			PU
	gray / black	light green / black	pink / black	
1 m	891-8994/105-103	891-8994/105-105	891-8994/105-107	1
2 m	891-8994/105-203	891-8994/105-205	891-8994/105-207	1
3 m	891-8994/105-303	891-8994/105-305	891-8994/105-307	1
4 m	891-8994/105-403	891-8994/105-405	891-8994/105-407	1
5 m	891-8994/105-503	891-8994/105-505	891-8994/105-507	1
6 m	891-8994/105-603	891-8994/105-605	891-8994/105-607	1
7 m	891-8994/105-703	891-8994/105-705	891-8994/105-707	1
8 m	891-8994/105-803	891-8994/105-805	891-8994/105-807	1

Connecting cable ▶ Plug - free end ▶ Protection type: IP20; IP40 when mated

Total length	Connector color / Strain relief color			PU
	gray / black	light green / black	pink / black	
1 m	891-8994/205-103	891-8994/205-105	891-8994/205-107	1
2 m	891-8994/205-203	891-8994/205-205	891-8994/205-207	1
3 m	891-8994/205-303	891-8994/205-305	891-8994/205-307	1
4 m	891-8994/205-403	891-8994/205-405	891-8994/205-407	1
5 m	891-8994/205-503	891-8994/205-505	891-8994/205-507	1
6 m	891-8994/205-603	891-8994/205-605	891-8994/205-607	1
7 m	891-8994/205-703	891-8994/205-705	891-8994/205-707	1
8 m	891-8994/205-803	891-8994/205-805	891-8994/205-807	1

Accessories; for all products on this page



Locking lever; for flying leads; manually operated



Locking lever; for flying leads; tool operated



Mounting carrier; for flying leads; 2- to 5-pole

Color	Item no.	PU (SPU)
● black	890-101	100 (50)
○ white	890-121	100 (50)

Color	Item no.	PU (SPU)
● black	890-111	100 (50)
○ white	890-131	100 (50)

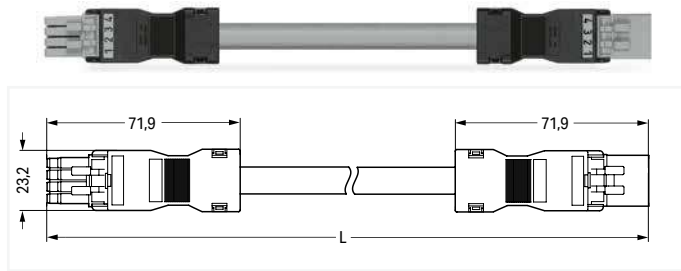
Color	Item no.	PU
● black	890-310	100
○ white	890-311	100

PU = packaging unit; SPU = subpackaging unit; Dimensions in mm

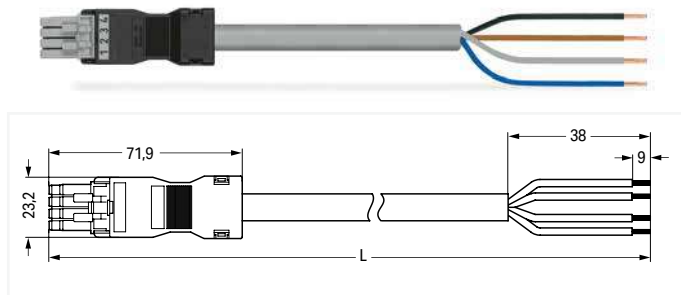
Cable assembly ▶ WINSTA® MINI ▶ 891 Series

Pole number: 4 ▶ Fire class per EN 50575: E_{ca} ▶ Coding: B ▶ 1.5 mm² ▶ Marking: 1 2 3 4 ▶ PVC ▶ Sheathed cable diameter: 8.4 ... 10.5 mm ▶ Control line 4 x 1.5 ▶ Control technology

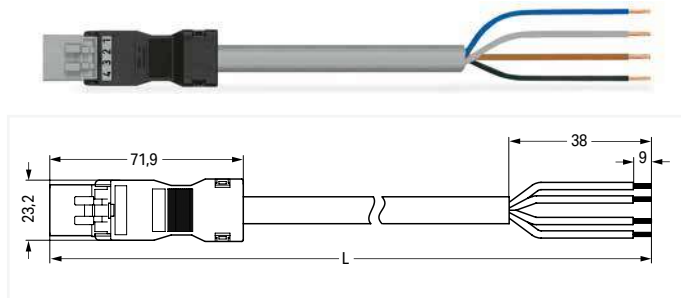
1



Interconnecting cable ▶ Socket - Plug ▶ Protection type: IP20; IP40 when mated				
Total length	Connector color / Strain relief color			PU
	gray / black	light green / black	pink / black	
1 m	891-8994/006-103	891-8994/006-105	891-8994/006-107	1
2 m	891-8994/006-203	891-8994/006-205	891-8994/006-207	1
3 m	891-8994/006-303	891-8994/006-305	891-8994/006-307	1
4 m	891-8994/006-403	891-8994/006-405	891-8994/006-407	1
5 m	891-8994/006-503	891-8994/006-505	891-8994/006-507	1
6 m	891-8994/006-603	891-8994/006-605	891-8994/006-607	1
7 m	891-8994/006-703	891-8994/006-705	891-8994/006-707	1
8 m	891-8994/006-803	891-8994/006-805	891-8994/006-807	1



Connecting cable ▶ Socket - free end ▶ Protection type: IP40				
Total length	Connector color / Strain relief color			PU
	gray / black	light green / black	pink / black	
1 m	891-8994/106-103	891-8994/106-105	891-8994/106-107	1
2 m	891-8994/106-203	891-8994/106-205	891-8994/106-207	1
3 m	891-8994/106-303	891-8994/106-305	891-8994/106-307	1
4 m	891-8994/106-403	891-8994/106-405	891-8994/106-407	1
5 m	891-8994/106-503	891-8994/106-505	891-8994/106-507	1
6 m	891-8994/106-603	891-8994/106-605	891-8994/106-607	1
7 m	891-8994/106-703	891-8994/106-705	891-8994/106-707	1
8 m	891-8994/106-803	891-8994/106-805	891-8994/106-807	1



Connecting cable ▶ Plug - free end ▶ Protection type: IP20; IP40 when mated				
Total length	Connector color / Strain relief color			PU
	gray / black	light green / black	pink / black	
1 m	891-8994/206-103	891-8994/206-105	891-8994/206-107	1
2 m	891-8994/206-203	891-8994/206-205	891-8994/206-207	1
3 m	891-8994/206-303	891-8994/206-305	891-8994/206-307	1
4 m	891-8994/206-403	891-8994/206-405	891-8994/206-407	1
5 m	891-8994/206-503	891-8994/206-505	891-8994/206-507	1
6 m	891-8994/206-603	891-8994/206-605	891-8994/206-607	1
7 m	891-8994/206-703	891-8994/206-705	891-8994/206-707	1
8 m	891-8994/206-803	891-8994/206-805	891-8994/206-807	1

Accessories; for all products on this page



Locking lever; for flying leads; manually operated



Locking lever; for flying leads; tool operated



Mounting carrier; for flying leads; 2- to 5-pole

Color	Item no.	PU (SPU)
● black	890-101	100 (50)
○ white	890-121	100 (50)

Color	Item no.	PU (SPU)
● black	890-111	100 (50)
○ white	890-131	100 (50)

Color	Item no.	PU
● black	890-310	100
○ white	890-311	100

PU = packaging unit; SPU = subpackaging unit; Dimensions in mm

1

Pluggable connectors ▶ WINSTA® MINI ▶ 890 Series

Pole number: 5

1



- Protected against mismatching and maintenance-free
- Push-in CAGE CLAMP® spring pressure connection technology for direct termination of solid conductors
- Low profile with 4.4 mm pole spacing
- When assembled, the installation connectors comply with IP40 and are suitable for easily accessible areas.

Electrical data									
Coding	A			B			I		
Ratings per	IEC/EN 60664-1			IEC/EN 60664-1			IEC/EN 60664-1		
Overvoltage category	III	III	II	III	III	II	III	III	II
Pollution degree	3	2	2	3	2	2	3	2	2
Nominal voltage	400 V	-	-	400 V	-	-	400 V	-	-
Rated surge voltage	6 kV	-	-	6 kV	-	-	6 kV	-	-
Rated current	13 A	-	-	16 A	-	-	16 A	-	-
Note (rated current)				13 A for 3-pole load 10 A for 4- and 5-pole load					
Approvals per	UL 1977			UL 1977			UL 1977		
Rated voltage	600 V			600 V			600 V		
Rated current	12 A			12 A			12 A		

Connection data	
Connection technology	Push-in CAGE CLAMP®
Strip length	9 mm / 0.35 inches
Nominal cross-section	1.5 mm ² / 16 AWG
Solid conductor	0.25 ... 1.5 mm ² / 22 ... 16 AWG
Solid conductor; push-in termination	0.75 ... 1.5 mm ² / 20 ... 16 AWG
Stranded conductor	0.25 ... 1 mm ² / 22 ... 18 AWG
Fine-stranded conductor	0.25 ... 1.5 mm ² / 22 ... 16 AWG
Fine-stranded conductor; with insulated ferrule	0.25 ... 0.75 mm ² / 22 ... 20 AWG
Fine-stranded conductor; with uninsulated ferrule	0.25 ... 0.75 mm ² / 22 ... 20 AWG
Fine-stranded conductor; with ferrule; push-in termination	0.75 mm ² / 20 AWG

Material Data	
Material group	I
Insulation material	Polyamide (PA66)
Flammability class per UL94	V0
Clamping spring material	Chrome-nickel spring steel (CrNi)
Contact material	Copper or copper alloy; surface-treated
Contact plating	Tin

Mechanical Data	
Number of mating cycles	200, without resistive load
Mating force of a plug-in connection	approx. 20 ... 70 N (depending on pole number)
Unmating force of a plug-in connection	Unlocked: approx. 20 ... 70 N (depending on pole number)
Retention force of a plug-in connection	Locked: > 80 N

Environmental requirements	
Processing temperature	-5 ... +40 °C
Continuous operating temperature	-35 ... +85 °C
Note on continuous operating temperature	Insulating parts for temperatures ≤ 105 °C

All WINSTA® components are 100% protected against mismatching when:

- plugging different numbers of poles
- plugging while rotated 180
- plugging while laterally staggered
- plugging one pole

All connectors for mounted installations (snap-in versions for lighting fixtures or devices, all types of PCB and distribution connectors) are factory-equipped with locking levers to ensure plugs and sockets are securely locked. Additional locking levers are only required for flying leads (plug/socket).

Cover [Page 368](#)

Shield termination [Page 367](#)

Tool [Page 392](#)

See technical section for further information

Approvals and corresponding ratings, visit www.wago.com

Pluggable connectors ▶ WINSTA® MINI ▶ 890 Series

Pole number: 5

Strain relief housing ▶ Female connector/socket ▶ Strip length (outer insulation): 45 mm ▶ Connectable sheathed cable diameter: 6.5 ... 10.5 mm ▶ Protection type: IP40

Strain relief housing ▶ Male connector/plug ▶ Strip length (outer insulation): 45 mm ▶ Connectable sheathed cable diameter: 6.5 ... 10.5 mm ▶ Protection type: IP40



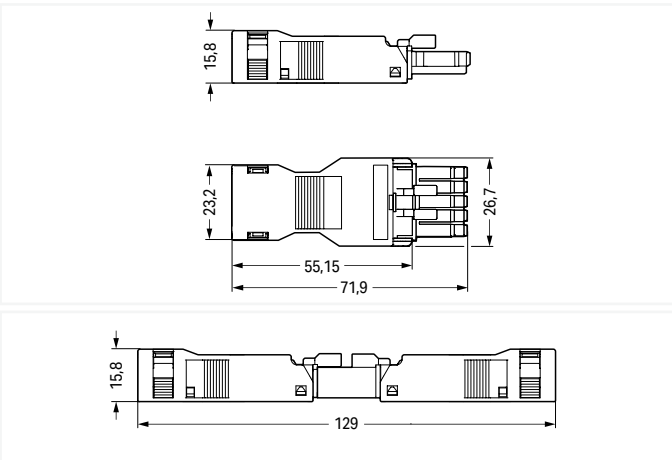
890-105



890-115

General mains applications

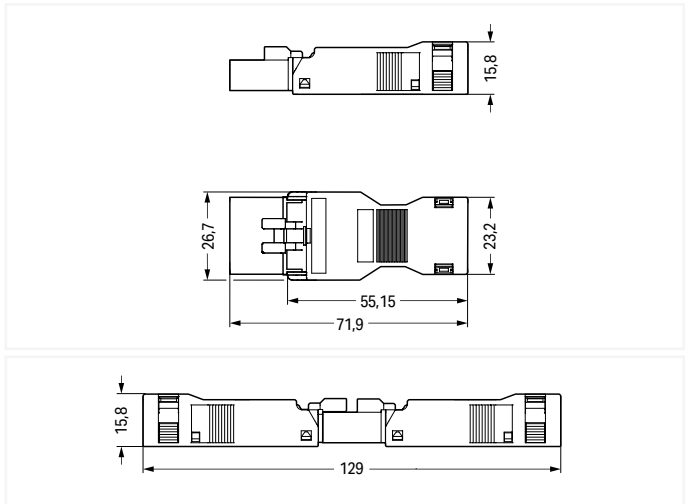
Color	Coding	Marking	Item no.	PU
● black	A	N ⊕ 1 2 3	890-105	50
○ white	A	N ⊕ 1 2 3	890-125	50



Overall length when mated

General mains applications

Color	Coding	Marking	Item no.	PU
● black	A	3 2 1 ⊕ N	890-115	50
○ white	A	3 2 1 ⊕ N	890-135	50



Overall length when mated

Accessories; for all products on this page



Locking lever; for flying leads; manually operated

Color	Item no.	PU (SPU)
● black	890-101	100 (50)
○ white	890-121	100 (50)



Locking lever; for flying leads; tool operated

Color	Item no.	PU (SPU)
● black	890-111	100 (50)
○ white	890-131	100 (50)



Mounting carrier; for flying leads; 2- to 5-pole

Color	Item no.	PU
● black	890-310	100
○ white	890-311	100



Operating tool; for WAGO WINSTA® MINI Connectors; Pole number: 5

Color	Item no.	PU
● green	890-385	1

PU = packaging unit; SPU = subpackaging unit; Dimensions in mm

Pluggable connectors ▶ WINSTA® MINI ▶ 890 Series

Pole number: 5

Female connector/socket ▶ Protection type: IP20; IP40 with strain relief housing

Male connector/plug ▶ Protection type: IP20; IP40 when mated with strain relief housing

1



890-205

890-215

General mains applications

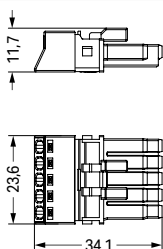
Color	Coding	Marking	Item no.	PU
● black	A	N ⊕ 1 2 3	890-205	50
○ white	A	N ⊕ 1 2 3	890-225	50

Control technology

Color	Coding	Marking	Item no.	PU
○ gray	B	1 2 3 4 5	890-245	50
○ gray	B	N ⊕ 1 2 3	890-245/060-000	50
○ gray	B	N PE 3 2 1	890-245/062-000	50
● light green	B	1 2 3 4 5	890-265	50
● light green	B	1 ⊕ 2 3 4	890-265/073-000	50
● pink	B	1 2 3 4 5	890-285	50
● pink	B	N ⊕ L I- I+	890-285/080-000	50
● pink	B	N ⊕ L - +	890-285/082-000	50

DALI, Lighting Management

Color	Coding	Marking	Item no.	PU
● blue	I	N ⊕ L - +	890-1105	50



General mains applications

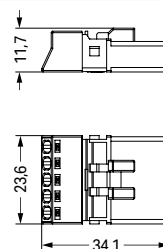
Color	Coding	Marking	Item no.	PU
● black	A	3 2 1 ⊕ N	890-215	50
○ white	A	3 2 1 ⊕ N	890-235	50

Control technology

Color	Coding	Marking	Item no.	PU
○ gray	B	5 4 3 2 1	890-255	50
○ gray	B	3 2 1 ⊕ N	890-255/060-000	50
○ gray	B	1 2 3 PE N	890-255/062-000	50
● light green	B	5 4 3 2 1	890-275	50
● light green	B	4 3 2 ⊕ 1	890-275/073-000	50
● pink	B	5 4 3 2 1	890-295	50
● pink	B	I+ I- L ⊕ N	890-295/080-000	50
● pink	B	+ - L ⊕ N	890-295/082-000	50

DALI, Lighting Management

Color	Coding	Marking	Item no.	PU
● blue	I	+ - L ⊕ N	890-1115	50



Accessories; for all products on this page



Locking lever; for flying leads; manually operated

Color	Item no.	PU (SPU)
● black	890-101	100 (50)
○ white	890-121	100 (50)



Locking lever; for flying leads; tool operated

Color	Item no.	PU (SPU)
● black	890-111	100 (50)
○ white	890-131	100 (50)



Mounting carrier; for flying leads; 2- to 5-pole

Color	Item no.	PU
● black	890-310	100
○ white	890-311	100



Operating tool; for WAGO WINSTA® MINI Connectors; Pole number: 5

Color	Item no.	PU
● green	890-385	1



Strain relief housing; Connectable sheathed cable diameter: 6.5 ... 10.5 mm; Strip length (outer insulation): 45 mm

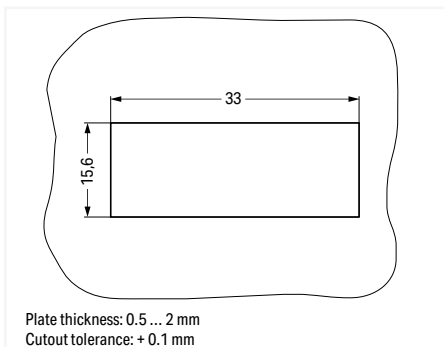
Color	Item no.	PU
● black	890-505	50
○ white	890-515	50

PU = packaging unit; SPU = subpackaging unit; Dimensions in mm

Snap-in device connector ► WINSTA® MINI ► 890 Series

Pole number: 5

1



- Protected against mismatching and maintenance-free
- Push-in CAGE CLAMP® spring pressure connection technology allows solid conductors to be simply pushed into a unit.
- Low profile with 4.4 mm pole spacing
- When assembled, the installation connectors comply with IP40 and are suitable for easily accessible areas.

Electrical data									
Coding	A			B			I		
Ratings per	IEC/EN 60664-1			IEC/EN 60664-1			IEC/EN 60664-1		
Overvoltage category	III	III	II	III	III	II	III	III	II
Pollution degree	3	2	2	3	2	2	3	2	2
Nominal voltage	400 V	-	-	400 V	-	-	400 V	-	-
Rated surge voltage	6 kV	-	-	6 kV	-	-	6 kV	-	-
Rated current	13 A	-	-	16 A	-	-	16 A	-	-
Note (rated current)				13 A for 3-pole load 10 A for 4- and 5-pole load					
Approvals per	UL 1977			UL 1977			UL 1977		
Rated voltage	600 V			600 V			600 V		
Rated current	12 A			12 A			12 A		

Connection data	
Connection technology	Push-in CAGE CLAMP®
Strip length	9 mm / 0.35 inches
Nominal cross-section	1.5 mm ² / 16 AWG
Solid conductor	0.25 ... 1.5 mm ² / 22 ... 16 AWG
Solid conductor; push-in termination	0.75 ... 1.5 mm ² / 20 ... 16 AWG
Stranded conductor	0.25 ... 1 mm ² / 22 ... 18 AWG
Fine-stranded conductor	0.25 ... 1.5 mm ² / 22 ... 16 AWG
Fine-stranded conductor; with insulated ferrule	0.25 ... 0.75 mm ² / 22 ... 20 AWG
Fine-stranded conductor; with uninsulated ferrule	0.25 ... 0.75 mm ² / 22 ... 20 AWG
Fine-stranded conductor; with ferrule; push-in termination	0.75 mm ² / 20 AWG

Material Data	
Insulation material	Polyamide (PA66)
Clamping spring material	Chrome-nickel spring steel (CrNi)
Contact material	Copper or copper alloy; surface-treated
Contact plating	Tin

Mechanical Data	
Number of mating cycles	200, without resistive load
Mating force of a plug-in connection	approx. 20 ... 70 N (depending on pole number)
Unmating force of a plug-in connection	Unlocked: approx. 20 ... 70 N (depending on pole number)
Retention force of a plug-in connection	Locked: > 80 N

Environmental requirements	
Processing temperature	-5 ... +40 °C
Continuous operating temperature	-35 ... +85 °C
Note on continuous operating temperature	Insulating parts for temperatures ≤ 105 °C

All WINSTA® components are 100% protected against mismatching when:

- plugging different numbers of poles
- plugging while rotated 180
- plugging while laterally staggered
- plugging one pole

All connectors for mounted installations (snap-in versions for lighting fixtures or devices, all types of PCB and distribution connectors) are factory-equipped with locking levers to ensure plugs and sockets are securely locked. Additional locking levers are only required for flying leads (plug/socket).

Tool Page 392

See technical section for further information

Approvals and corresponding ratings, visit www.wago.com

Snap-in device connector ▶ WINSTA® MINI ▶ 890 Series

Pole number: 5

Female connector/socket ▶ Protection type: IP40

Male connector/plug ▶ Protection type: IP20; IP40 when mated



890-705

General mains applications

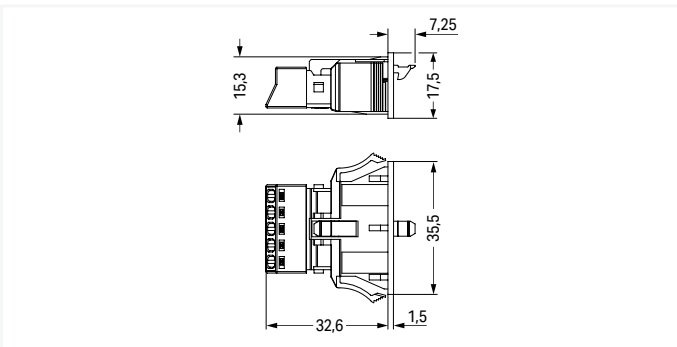
Color	Coding	Marking	Item no.	PU (SPU)
● black	A	N ⊕ 1 2 3	890-705	50 (50)
○ white	A	N ⊕ 1 2 3	890-725	50 (50)

Control technology

Color	Coding	Marking	Item no.	PU (SPU)
○ gray	B	1 2 3 4 5	890-745	50 (50)
○ gray	B	N ⊕ L1 L2 L3	890-745/060-000	50 (50)
○ gray	B	N PE 3 2 1	890-745/062-000	50 (50)
● light green	B	1 2 3 4 5	890-765	50 (50)
● light green	B	1 ⊕ 2 3 4	890-765/073-000	50 (50)
● pink	B	1 2 3 4 5	890-785	50 (50)
● pink	B	N ⊕ L I- I+	890-785/080-000	50 (50)
● pink	B	N ⊕ L - +	890-785/082-000	50 (50)

DALI, Lighting Management

Color	Coding	Marking	Item no.	PU (SPU)
● blue	I	N ⊕ L - +	890-2105	50 (50)



890-715

General mains applications

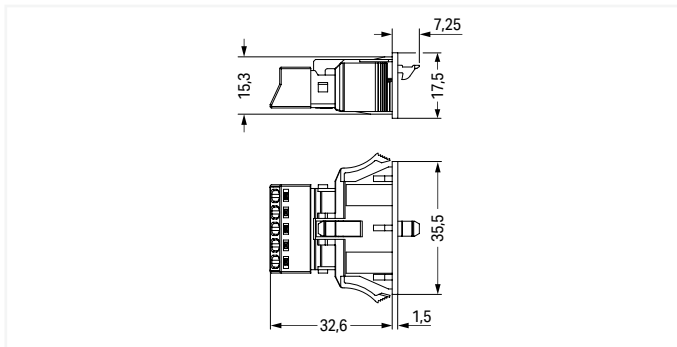
Color	Coding	Marking	Item no.	PU (SPU)
● black	A	3 2 1 ⊕ N	890-715	50 (25)
○ white	A	3 2 1 ⊕ N	890-735	50 (50)

Control technology

Color	Coding	Marking	Item no.	PU (SPU)
○ gray	B	5 4 3 2 1	890-755	50 (50)
○ gray	B	3 2 1 ⊕ N	890-755/060-000	50 (50)
○ gray	B	1 2 3 PE N	890-755/062-000	50 (50)
● light green	B	5 4 3 2 1	890-775	50 (50)
● light green	B	4 3 2 ⊕ 1	890-775/073-000	50 (50)
● pink	B	5 4 3 2 1	890-795	50 (50)
● pink	B	I+ I- L ⊕ N	890-795/080-000	50 (50)
● pink	B	+ - L ⊕ N	890-795/082-000	50 (50)

DALI, Lighting Management

Color	Coding	Marking	Item no.	PU (SPU)
● blue	I	+ - L ⊕ N	890-2115	50 (50)



Accessories; for all products on this page



Lockout cap; for cutout; Pole number: 3



Operating tool; for WAGO WINSTA® MINI Connectors; Pole number: 5

Color	Item no.	PU
● black	770-643	100
○ white	770-693	100

Color	Item no.	PU
● green	890-385	1

PU = packaging unit; SPU = subpackaging unit; Dimensions in mm

Pluggable PCB connector ▶ WINSTA® MINI ▶ 890 Series

Pole number: 5



- Protected against mismatching and maintenance-free
- Push-in CAGE CLAMP® spring pressure connection technology allows solid conductors to be simply pushed into a unit.
- Low profile with 4.4 mm pole spacing

Electrical data									
Coding	A			B			I		
Ratings per	IEC/EN 60664-1			IEC/EN 60664-1			IEC/EN 60664-1		
Overvoltage category	III	III	II	III	III	II	III	III	II
Pollution degree	3	2	2	3	2	2	3	2	2
Nominal voltage	250 V	-	-	250 V	-	-	250 V	-	-
Rated surge voltage	4 kV	-	-	4 kV	-	-	4 kV	-	-
Rated current	13 A	-	-	16 A	-	-	16 A	-	-
Note (rated current)				13 A for 3-pole load 10 A for 4- and 5-pole load					
Approvals per	UL 1977			UL 1977			UL 1977		
Rated voltage	600 V			600 V			600 V		
Rated current	12 A			12 A			12 A		
Material Data									
Material group	I								
Insulation material	Polyamide (PA66)								
Flammability class per UL94	V0								
Clamping spring material	Chrome-nickel spring steel (CrNi)								
Contact material	Copper or copper alloy; surface-treated								
Contact plating	Tin								
Mechanical Data									
Solder pin arrangement	2 in-line solder pins/pole								
Number of solder pins per potential	2								
Solder pin length	3.5 mm								
Solder pin dimensions	1 x 0.8 mm								
Drilled hole diameter with tolerance	1.3 ^(+0.1) mm								
Mating force of a plug-in connection	approx. 20 ... 70 N (depending on pole number)								
Unmating force of a plug-in connection	Unlocked: approx. 20 ... 70 N (depending on pole number)								
Retention force of a plug-in connection	Locked: > 80 N								
Environmental requirements									
Processing temperature	-5 ... +40 °C								
Continuous operating temperature	-35 ... +85 °C								
Note on continuous operating temperature	Insulating parts for temperatures ≤ 105 °C								

All WINSTA® components are 100% protected against mismatching when:

- plugging different numbers of poles
- plugging while rotated 180
- plugging while laterally staggered
- plugging one pole

All connectors for mounted installations (snap-in versions for lighting fixtures or devices, all types of PCB and distribution connectors) are factory-equipped with locking levers to ensure plugs and sockets are securely locked. Additional locking levers are only required for flying leads (plug/socket).

See technical section for further information

Approvals and corresponding ratings, visit www.wago.com

Pluggable PCB connector ▶ WINSTA® MINI ▶ 890 Series

Pole number: 5

straight ▶ Female connector/socket

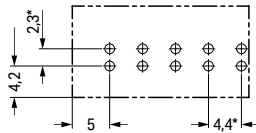
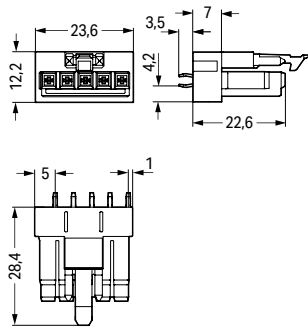


890-805

General mains applications				
Color	Coding	Marking	Item no.	PU
● black	A	N ⊕ 1 2 3	890-805	50
○ white	A	N ⊕ 1 2 3	890-825	50

Control technology				
Color	Coding	Marking	Item no.	PU
○ gray	B	1 2 3 4 5	890-845	50
● light green	B	1 2 3 4 5	890-865	50
● pink	B	1 2 3 4 5	890-885	50

DALI, Lighting Management				
Color	Coding	Marking	Item no.	PU
● blue	I	N ⊕ L - +	890-3105	50



* ± 0.05 mm
Drilled hole diameter: 1.3^{+0.1} mm

straight ▶ Male connector/plug

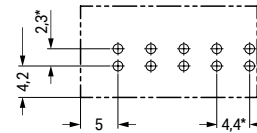
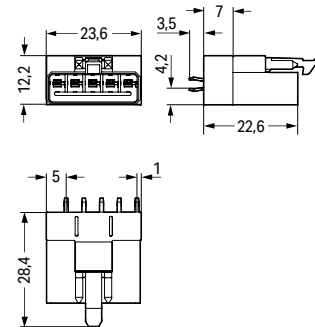


890-815

General mains applications				
Color	Coding	Marking	Item no.	PU
● black	A	3 2 1 ⊕ N	890-815	50
○ white	A	3 2 1 ⊕ N	890-835	50

Control technology				
Color	Coding	Marking	Item no.	PU
○ gray	B	5 4 3 2 1	890-855	50
● light green	B	5 4 3 2 1	890-875	50
● pink	B	5 4 3 2 1	890-895	50

DALI, Lighting Management				
Color	Coding	Marking	Item no.	PU
● blue	I	+ - L ⊕ N	890-3115	50



* ± 0.05 mm
Drilled hole diameter: 1.3^{+0.1} mm

PU = packaging unit; SPU = subpackaging unit; Dimensions in mm

Pluggable PCB connector ▶ WINSTA® MINI ▶ 890 Series

Pole number: 5

angled ▶ Female connector/socket

angled ▶ Male connector/plug



1

890-805/011-000

890-815/011-000

General mains applications

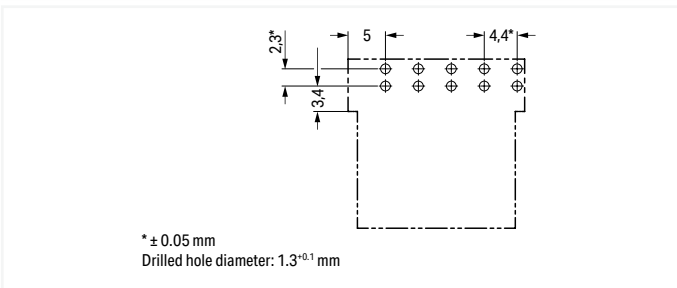
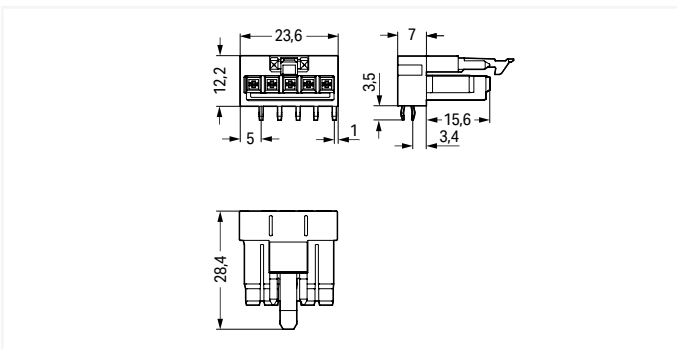
Color	Coding	Marking	Item no.	PU
● black	A	N ⊕ 1 2 3	890-805/011-000	50
○ white	A	N ⊕ 1 2 3	890-825/011-000	50

Control technology

Color	Coding	Marking	Item no.	PU
○ gray	B	1 2 3 4 5	890-845/011-000	50
● light green	B	1 2 3 4 5	890-865/011-000	50
● pink	B	1 2 3 4 5	890-885/011-000	50

DALI, Lighting Management

Color	Coding	Marking	Item no.	PU
● blue	I	N ⊕ L - +	890-3105/011-000	50



General mains applications

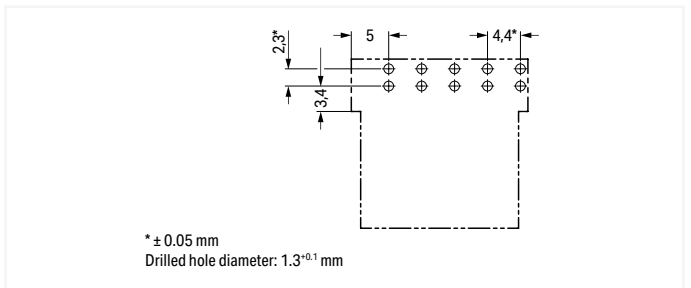
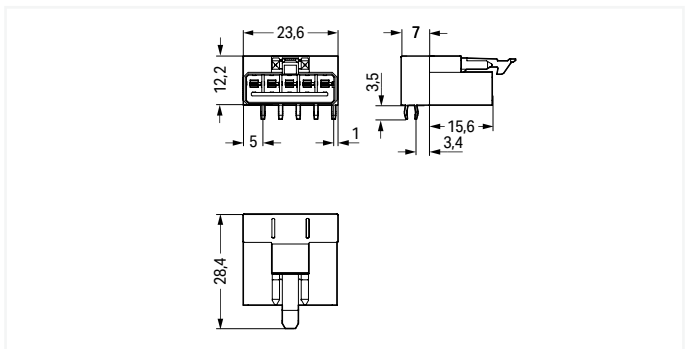
Color	Coding	Marking	Item no.	PU
● black	A	3 2 1 ⊕ N	890-815/011-000	50
○ white	A	3 2 1 ⊕ N	890-835/011-000	50

Control technology

Color	Coding	Marking	Item no.	PU
○ gray	B	5 4 3 2 1	890-855/011-000	50
● light green	B	5 4 3 2 1	890-875/011-000	50
● pink	B	5 4 3 2 1	890-895/011-000	50

DALI, Lighting Management

Color	Coding	Marking	Item no.	PU
● blue	I	+ - L ⊕ N	890-3115/011-000	50



PU = packaging unit; SPU = subpackaging unit; Dimensions in mm

Distribution connector ▶ WINSTA® MINI ▶ 890 Series

Pole number: 5 ▶ Protection type: IP20; IP40 when mated

1



- Protected against mismatching and maintenance-free
- Low profile with 4.4 mm pole spacing

Electrical data						
Coding	A; I			A		
Ratings per	IEC/EN 60664-1			IEC/EN 60664-1		
Overvoltage category	III	III	II	III	III	II
Pollution degree	3	2	2	3	2	2
Nominal voltage	400 V	-	-	400 V	-	-
Rated surge voltage	6 kV	-	-	6 kV	-	-
Rated current	16 A	-	-	13 A	-	-
Approvals per	UL 1977			UL 1977		
Rated voltage	600 V			600 V		
Rated current	12 A			12 A		
Material Data						
Insulation material	Polyamide (PA66)					
Flammability class per UL94	V0					
Contact material	Copper or copper alloy; surface-treated					
Contact plating	Tin					
Mechanical Data						
Number of mating cycles	200, without resistive load					
Mating force of a plug-in connection	Approx. 20 ... 70 N (depending on pole number)					
Unmating force of a plug-in connection	Unlocked: approx. 20 ... 70 N (depending on pole number)					
Retention force of a plug-in connection	When locked: > 80 N					
Protection type	IP20					
Note on protection type	IP40 when mated					
Environmental requirements						
Processing temperature	-5 ... +40 °C					
Continuous operating temperature	-35 ... +85 °C					
Note on continuous operating temperature	Insulating parts for temperatures ≤ 105 °C					

At least one snap-in connector **without** a locking lever is required on one side when connecting two lights directly via intermediate coupler.

All WINSTA® components are 100% protected against mismatching when:

- plugging different numbers of poles
- plugging while rotated 180
- plugging while laterally staggered
- plugging one pole

All connectors for mounted installations (snap-in versions for lighting fixtures or devices, all types of PCB and distribution connectors) are factory-equipped with locking levers to ensure plugs and sockets are securely locked. Additional locking levers are only required for flying leads (plug/socket).

See technical section for further information

Approvals and corresponding ratings, visit www.wago.com

Distribution connector ▶ WINSTA® MINI ▶ 890 Series

Pole number: 5 ▶ Protection type: IP20; IP40 when mated

Intermediate coupler



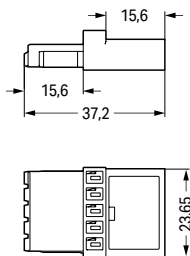
890-605

General mains applications

Color	Coding	Marking	Item no.	PU
● black	A	-	890-605	50
○ white	A	-	890-655	50

DALI, Lighting Management

Color	Coding	Marking	Item no.	PU
● blue	I	-	890-619	50



PU = packaging unit; SPU = subpackaging unit; Dimensions in mm

Distribution connector ▶ WINSTA® MINI ▶ 890 Series

Pole number: 5 ▶ Protection type: IP20; IP40 when mated

T-distribution connector

Number of locking levers: 2

Number of locking levers: 3 ▶ for flying leads

1



890-621

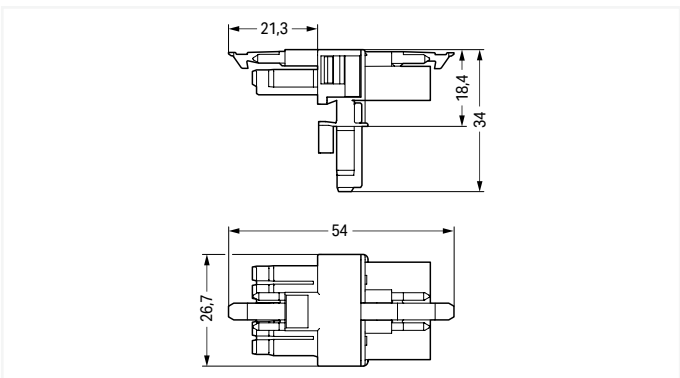
890-622

General mains applications

Color	Coding	Marking	Item no.	PU
● black	A	N ⊕ 1 2 3	890-621	25
○ white	A	N ⊕ 1 2 3	890-671	25

DALI, Lighting Management

Color	Coding	Marking	Item no.	PU
● blue	I	N ⊕ L - +	890-617	25

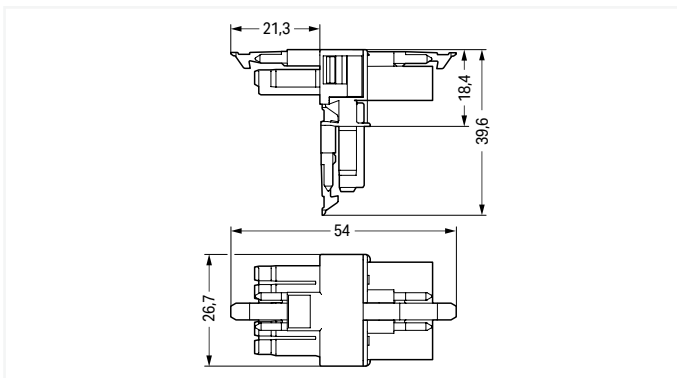


General mains applications

Color	Coding	Marking	Item no.	PU
● black	A	N ⊕ 1 2 3	890-622	25
○ white	A	N ⊕ 1 2 3	890-672	25

DALI, Lighting Management

Color	Coding	Marking	Item no.	PU
● blue	I	N ⊕ L - +	890-620	25



PU = packaging unit; SPU = subpackaging unit; Dimensions in mm

Distribution connector ▶ WINSTA® MINI ▶ 890 Series

Pole number: 5 ▶ Protection type: IP20; IP40 when mated

h-distribution connector, outputs on one side

Number of locking levers: 2

Number of locking levers: 3 ▶ for flying leads



890-929

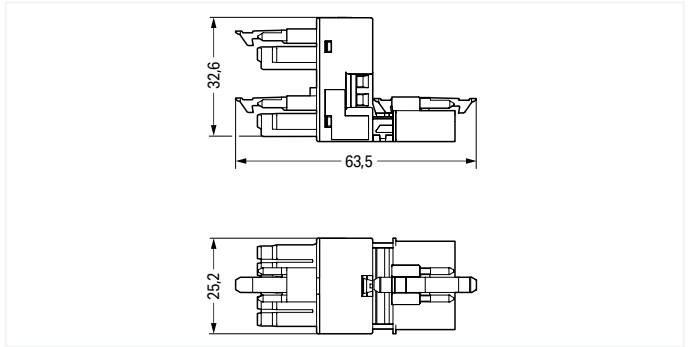
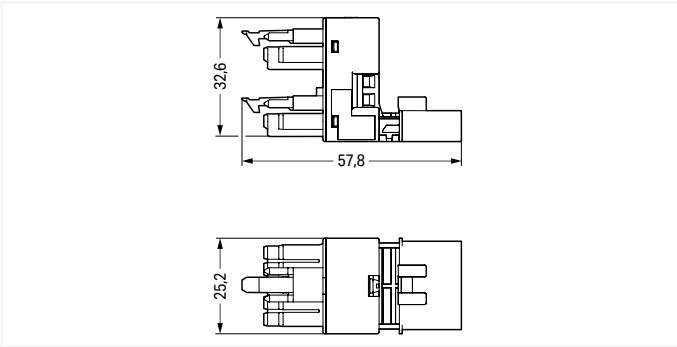
General mains applications				
Color	Coding	Marking	Item no.	PU
● black	A	N ⊕ 1 2 3	890-929	50
○ white	A	N ⊕ 1 2 3	890-979	50

DALI, Lighting Management				
Color	Coding	Marking	Item no.	PU
● blue	I	N ⊕ L - +	890-982	50

890-930

General mains applications				
Color	Coding	Marking	Item no.	PU
● black	A	N ⊕ 1 2 3	890-930	50
○ white	A	N ⊕ 1 2 3	890-980	50

DALI, Lighting Management				
Color	Coding	Marking	Item no.	PU
● blue	I	N ⊕ L - +	890-983	50



Accessories; for all products on this page



Mounting plate; for distribution connectors (except T-distribution connectors); 5-pole

Color	Item no.	PU (SPU)
● black	890-625	50 (50)
○ white	890-675	50 (50)

PU = packaging unit; SPU = subpackaging unit; Dimensions in mm

Cable assembly ▶ WINSTA® MINI ▶ 891 Series

Pole number: 5 ▶ Fire class per EN 50575: E_{ca}

1



- Protected against mismatching and maintenance-free
- Low profile with 4.4 mm pole spacing

Electrical data									
Coding	A			B			B		
Wire cross-section	1.5 mm ²			1 mm ²			1.5 mm ²		
Ratings per	IEC/EN 60664-1			IEC/EN 60664-1			IEC/EN 60664-1		
Overvoltage category	III	III	II	III	III	II	III	III	II
Pollution degree	3	2	2	3	2	2	3	2	2
Nominal voltage	400 V	-	-	400 V	-	-	400 V	-	-
Rated surge voltage	6 kV	-	-	6 kV	-	-	6 kV	-	-
Rated current	13 A	-	-	10 A	-	-	16 A	-	-
Note (rated current)							13 A for 3-pole load 10 A for 4- and 5-pole load		

Electrical data			
Coding	I		
Wire cross-section	1.5 mm ²		
Ratings per	IEC/EN 60664-1		
Overvoltage category	III	III	II
Pollution degree	3	2	2
Nominal voltage	400 V	-	-
Rated surge voltage	6 kV	-	-
Rated current	16 A	-	-
Note (rated current)			

Material Data	
Insulation material	Polyamide (PA66)
Contact material	Copper or copper alloy; surface-treated
Contact plating	Tin
Fire class per EN 50575	E _{ca}

Mechanical Data	
Number of mating cycles	200, without resistive load
Mating force of a plug-in connection	approx. 20 ... 70 N (depending on pole number)
Unmating force of a plug-in connection	when unlocked: approx. 20 ... 70 N (depending on pole number)
Retention force of a plug-in connection	when locked: > 80 N

Environmental requirements	
Processing temperature	-5 ... +40 °C
Continuous operating temperature	-35 ... +85 °C
Note on continuous operating temperature	Cable for temperatures ≤ 70 °C (including halogen-free) Insulating parts for temperatures ≤ 105 °C

Cables with a different fire class can be found in the eShop.

All WINSTA® components are 100% protected against mismatching when:

- plugging different numbers of poles
- plugging while rotated 180
- plugging while laterally staggered
- plugging one pole

All connectors for mounted installations (snap-in versions for lighting fixtures or devices, all types of PCB and distribution connectors) are factory-equipped with locking levers to ensure plugs and sockets are securely locked. Additional locking levers are only required for flying leads (plug/socket).

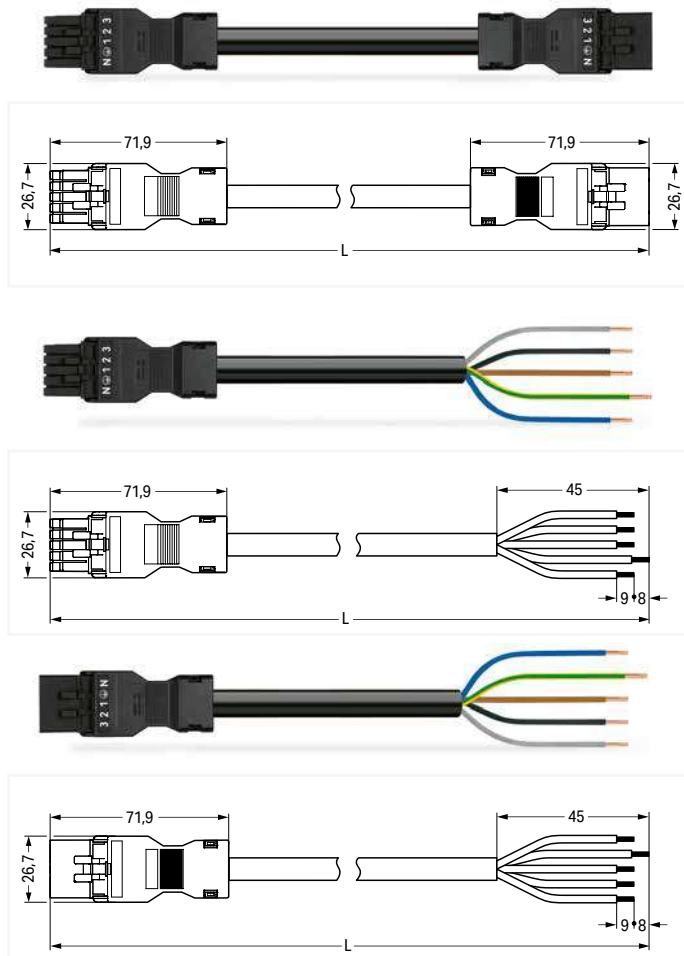
Cover Page 368

See technical section for further information

Approvals and corresponding ratings, visit www.wago.com

Cable assembly ▶ WINSTA® MINI ▶ 891 Series

Pole number: 5 ▶ Fire class per EN 50575: E_{ca} ▶ Coding: A ▶ 1.5 mm² ▶ Marking: N ⊕ 1 2 3 ▶ PVC ▶ Sheathed cable diameter: 9.3 ... 11.6 mm ▶ H05VV-F 5G1.5 ▶ General mains applications



Interconnecting cable ▶ Socket - Plug ▶ Protection type: IP20; IP40 when mated

Total length	Connector color / Strain relief color		PU
	black / black	white / white	
1 m	891-8995/006-101	891-8995/006-102	1
2 m	891-8995/006-201	891-8995/006-202	1
3 m	891-8995/006-301	891-8995/006-302	1
4 m	891-8995/006-401	891-8995/006-402	1
5 m	891-8995/006-501	891-8995/006-502	1
6 m	891-8995/006-601	891-8995/006-602	1
7 m	891-8995/006-701	891-8995/006-702	1
8 m	891-8995/006-801	891-8995/006-802	1

Connecting cable ▶ Socket - free end ▶ Protection type: IP40

Total length	Connector color / Strain relief color		PU
	black / black	white / white	
1 m	891-8995/106-101	891-8995/106-102	1
2 m	891-8995/106-201	891-8995/106-202	1
3 m	891-8995/106-301	891-8995/106-302	1
4 m	891-8995/106-401	891-8995/106-402	1
5 m	891-8995/106-501	891-8995/106-502	1
6 m	891-8995/106-601	891-8995/106-602	1
7 m	891-8995/106-701	891-8995/106-702	1
8 m	891-8995/106-801	891-8995/106-802	1

Connecting cable ▶ Plug - free end ▶ Protection type: IP20; IP40 when mated

Total length	Connector color / Strain relief color		PU
	black / black	white / white	
1 m	891-8995/206-101	891-8995/206-102	1
2 m	891-8995/206-201	891-8995/206-202	1
3 m	891-8995/206-301	891-8995/206-302	1
4 m	891-8995/206-401	891-8995/206-402	1
5 m	891-8995/206-501	891-8995/206-502	1
6 m	891-8995/206-601	891-8995/206-602	1
7 m	891-8995/206-701	891-8995/206-702	1
8 m	891-8995/206-801	891-8995/206-802	1

Accessories; for all products on this page

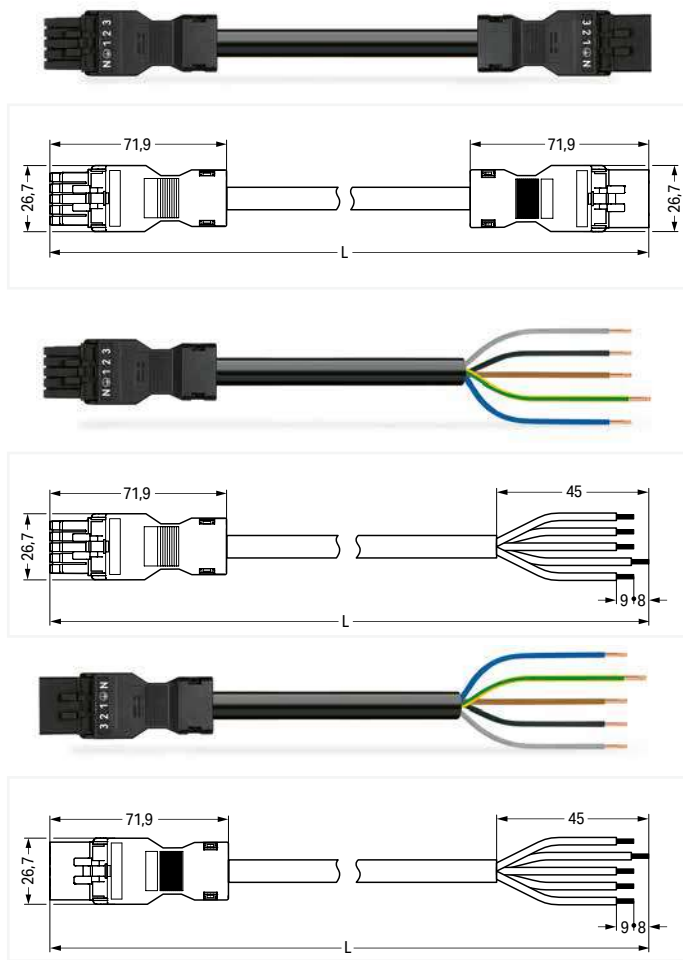
	Locking lever; for flying leads; manually operated		Locking lever; for flying leads; tool operated		Mounting carrier; for flying leads; 2- to 5-pole			
Color	Item no.	PU (SPU)	Color	Item no.	PU (SPU)	Color	Item no.	PU
● black	890-101	100 (50)	● black	890-111	100 (50)	● black	890-310	100
○ white	890-121	100 (50)	○ white	890-131	100 (50)	○ white	890-311	100

PU = packaging unit; SPU = subpackaging unit; Dimensions in mm

Cable assembly ▶ WINSTA® MINI ▶ 891 Series

Pole number: 5 ▶ Fire class per EN 50575: E_{ca} ▶ Coding: A ▶ 1.5 mm² ▶ Marking: N ⊕ 1 2 3 ▶ Halogen-free ▶ Sheathed cable diameter: 9.3 ... 11.6 mm ▶ H05Z1Z1-F 5G1.5 ▶ General mains applications

1



Interconnecting cable ▶ Socket - Plug ▶ Protection type: IP20; IP40 when mated			
Total length	Connector color / Strain relief color		PU
	black / black	white / white	
1 m	891-8995/016-101	891-8995/016-102	1
2 m	891-8995/016-201	891-8995/016-202	1
3 m	891-8995/016-301	891-8995/016-302	1
4 m	891-8995/016-401	891-8995/016-402	1
5 m	891-8995/016-501	891-8995/016-502	1
6 m	891-8995/016-601	891-8995/016-602	1
7 m	891-8995/016-701	891-8995/016-702	1
8 m	891-8995/016-801	891-8995/016-802	1

Connecting cable ▶ Socket - free end ▶ Protection type: IP40			
Total length	Connector color / Strain relief color		PU
	black / black	white / white	
1 m	891-8995/116-101	891-8995/116-102	1
2 m	891-8995/116-201	891-8995/116-202	1
3 m	891-8995/116-301	891-8995/116-302	1
4 m	891-8995/116-401	891-8995/116-402	1
5 m	891-8995/116-501	891-8995/116-502	1
6 m	891-8995/116-601	891-8995/116-602	1
7 m	891-8995/116-701	891-8995/116-702	1
8 m	891-8995/116-801	891-8995/116-802	1

Connecting cable ▶ Plug - free end ▶ Protection type: IP20; IP40 when mated			
Total length	Connector color / Strain relief color		PU
	black / black	white / white	
1 m	891-8995/216-101	891-8995/216-102	1
2 m	891-8995/216-201	891-8995/216-202	1
3 m	891-8995/216-301	891-8995/216-302	1
4 m	891-8995/216-401	891-8995/216-402	1
5 m	891-8995/216-501	891-8995/216-502	1
6 m	891-8995/216-601	891-8995/216-602	1
7 m	891-8995/216-701	891-8995/216-702	1
8 m	891-8995/216-801	891-8995/216-802	1

Accessories; for all products on this page



Locking lever; for flying leads; manually operated



Locking lever; for flying leads; tool operated



Mounting carrier; for flying leads; 2- to 5-pole

Color	Item no.	PU (SPU)
● black	890-101	100 (50)
○ white	890-121	100 (50)

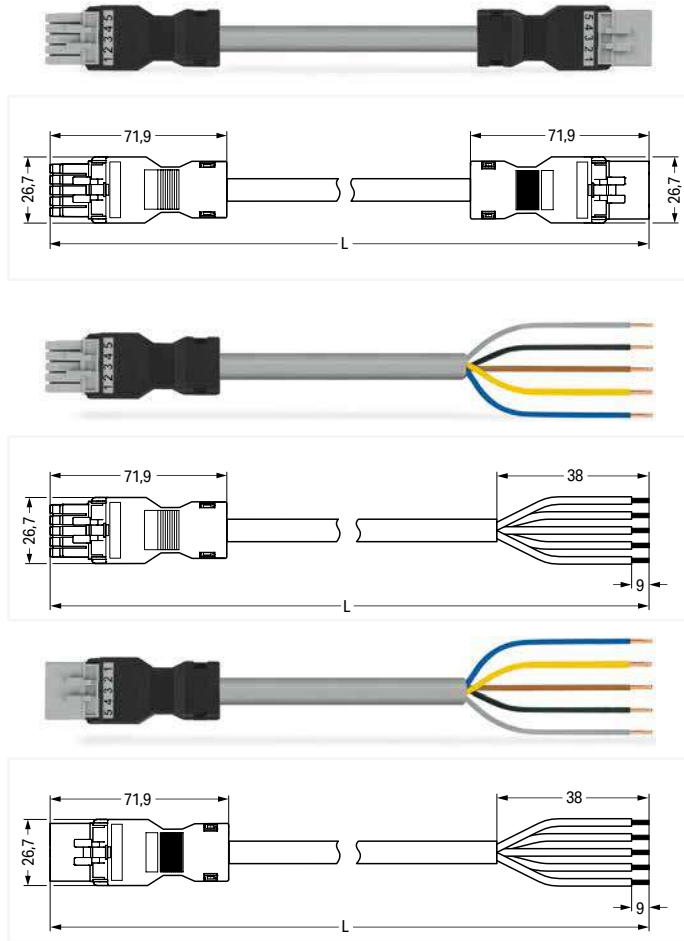
Color	Item no.	PU (SPU)
● black	890-111	100 (50)
○ white	890-131	100 (50)

Color	Item no.	PU
● black	890-310	100
○ white	890-311	100

PU = packaging unit; SPU = subpackaging unit; Dimensions in mm

Cable assembly ▶ WINSTA® MINI ▶ 891 Series

Pole number: 5 ▶ Fire class per EN 50575: E_{ca} ▶ Coding: B ▶ 1 mm² ▶ Marking: 1 2 3 4 5 ▶ PVC ▶ Sheathed cable diameter: 7.8 ... 9.3 mm ▶ Control line 5 x 1 ▶ Control technology



Interconnecting cable ▶ Socket - Plug ▶ Protection type: IP20; IP40 when mated				
Total length	Connector color / Strain relief color			PU
	gray / black	light green / black	pink / black	
1 m	891-8995/005-103	891-8995/005-105	891-8995/005-107	1
2 m	891-8995/005-203	891-8995/005-205	891-8995/005-207	1
3 m	891-8995/005-303	891-8995/005-305	891-8995/005-307	1
4 m	891-8995/005-403	891-8995/005-405	891-8995/005-407	1
5 m	891-8995/005-503	891-8995/005-505	891-8995/005-507	1
6 m	891-8995/005-603	891-8995/005-605	891-8995/005-607	1
7 m	891-8995/005-703	891-8995/005-705	891-8995/005-707	1
8 m	891-8995/005-803	891-8995/005-805	891-8995/005-807	1

Connecting cable ▶ Socket - free end ▶ Protection type: IP40				
Total length	Connector color / Strain relief color			PU
	gray / black	light green / black	pink / black	
1 m	891-8995/105-103	891-8995/105-105	891-8995/105-107	1
2 m	891-8995/105-203	891-8995/105-205	891-8995/105-207	1
3 m	891-8995/105-303	891-8995/105-305	891-8995/105-307	1
4 m	891-8995/105-403	891-8995/105-405	891-8995/105-407	1
5 m	891-8995/105-503	891-8995/105-505	891-8995/105-507	1
6 m	891-8995/105-603	891-8995/105-605	891-8995/105-607	1
7 m	891-8995/105-703	891-8995/105-705	891-8995/105-707	1
8 m	891-8995/105-803	891-8995/105-805	891-8995/105-807	1

Connecting cable ▶ Plug - free end ▶ Protection type: IP20; IP40 when mated				
Total length	Connector color / Strain relief color			PU
	gray / black	light green / black	pink / black	
1 m	891-8995/205-103	891-8995/205-105	891-8995/205-107	1
2 m	891-8995/205-203	891-8995/205-205	891-8995/205-207	1
3 m	891-8995/205-303	891-8995/205-305	891-8995/205-307	1
4 m	891-8995/205-403	891-8995/205-405	891-8995/205-407	1
5 m	891-8995/205-503	891-8995/205-505	891-8995/205-507	1
6 m	891-8995/205-603	891-8995/205-605	891-8995/205-607	1
7 m	891-8995/205-703	891-8995/205-705	891-8995/205-707	1
8 m	891-8995/205-803	891-8995/205-805	891-8995/205-807	1

Accessories; for all products on this page



Locking lever; for flying leads; manually operated



Locking lever; for flying leads; tool operated



Mounting carrier; for flying leads; 2- to 5-pole

Color	Item no.	PU (SPU)
● black	890-101	100 (50)
○ white	890-121	100 (50)

Color	Item no.	PU (SPU)
● black	890-111	100 (50)
○ white	890-131	100 (50)

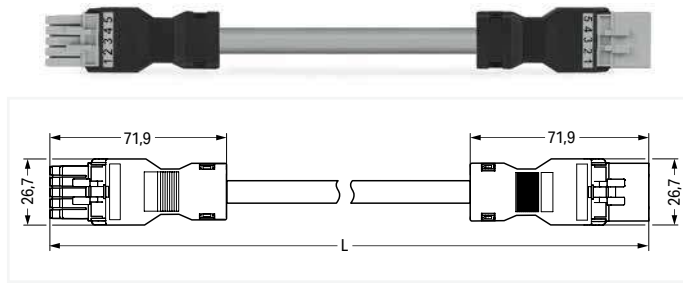
Color	Item no.	PU
● black	890-310	100
○ white	890-311	100

PU = packaging unit; SPU = subpackaging unit; Dimensions in mm

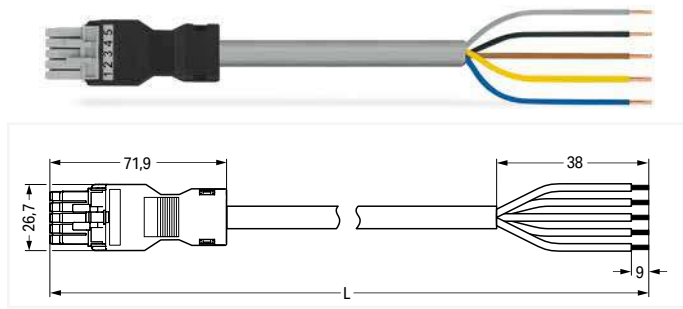
Cable assembly ▶ WINSTA® MINI ▶ 891 Series

Pole number: 5 ▶ Fire class per EN 50575: E_{ca} ▶ Coding: B ▶ 1.5 mm² ▶ Marking: 1 2 3 4 5 ▶ PVC ▶ Sheathed cable diameter: 9.3 ... 11.6 mm ▶ Control line 5 x 1.5 ▶ Control technology

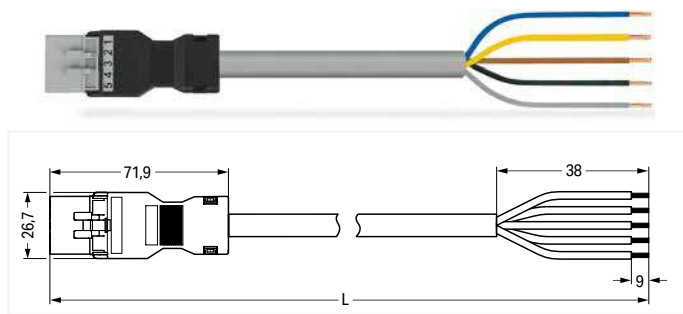
1



Interconnecting cable ▶ Socket - Plug ▶ Protection type: IP20; IP40 when mated				
Total length	Connector color / Strain relief color			PU
	gray / black	light green / black	pink / black	
1 m	891-8995/006-103	891-8995/006-105	891-8995/006-107	1
2 m	891-8995/006-203	891-8995/006-205	891-8995/006-207	1
3 m	891-8995/006-303	891-8995/006-305	891-8995/006-307	1
4 m	891-8995/006-403	891-8995/006-405	891-8995/006-407	1
5 m	891-8995/006-503	891-8995/006-505	891-8995/006-507	1
6 m	891-8995/006-603	891-8995/006-605	891-8995/006-607	1
7 m	891-8995/006-703	891-8995/006-705	891-8995/006-707	1
8 m	891-8995/006-803	891-8995/006-805	891-8995/006-807	1






Connecting cable ▶ Socket - free end ▶ Protection type: IP40				
Total length	Connector color / Strain relief color			PU
	gray / black	light green / black	pink / black	
1 m	891-8995/106-103	891-8995/106-105	891-8995/106-107	1
2 m	891-8995/106-203	891-8995/106-205	891-8995/106-207	1
3 m	891-8995/106-303	891-8995/106-305	891-8995/106-307	1
4 m	891-8995/106-403	891-8995/106-405	891-8995/106-407	1
5 m	891-8995/106-503	891-8995/106-505	891-8995/106-507	1
6 m	891-8995/106-603	891-8995/106-605	891-8995/106-607	1
7 m	891-8995/106-703	891-8995/106-705	891-8995/106-707	1
8 m	891-8995/106-803	891-8995/106-805	891-8995/106-807	1



Connecting cable ▶ Plug - free end ▶ Protection type: IP20; IP40 when mated				
Total length	Connector color / Strain relief color			PU
	gray / black	light green / black	pink / black	
1 m	891-8995/206-103	891-8995/206-105	891-8995/206-107	1
2 m	891-8995/206-203	891-8995/206-205	891-8995/206-207	1
3 m	891-8995/206-303	891-8995/206-305	891-8995/206-307	1
4 m	891-8995/206-403	891-8995/206-405	891-8995/206-407	1
5 m	891-8995/206-503	891-8995/206-505	891-8995/206-507	1
6 m	891-8995/206-603	891-8995/206-605	891-8995/206-607	1
7 m	891-8995/206-703	891-8995/206-705	891-8995/206-707	1
8 m	891-8995/206-803	891-8995/206-805	891-8995/206-807	1

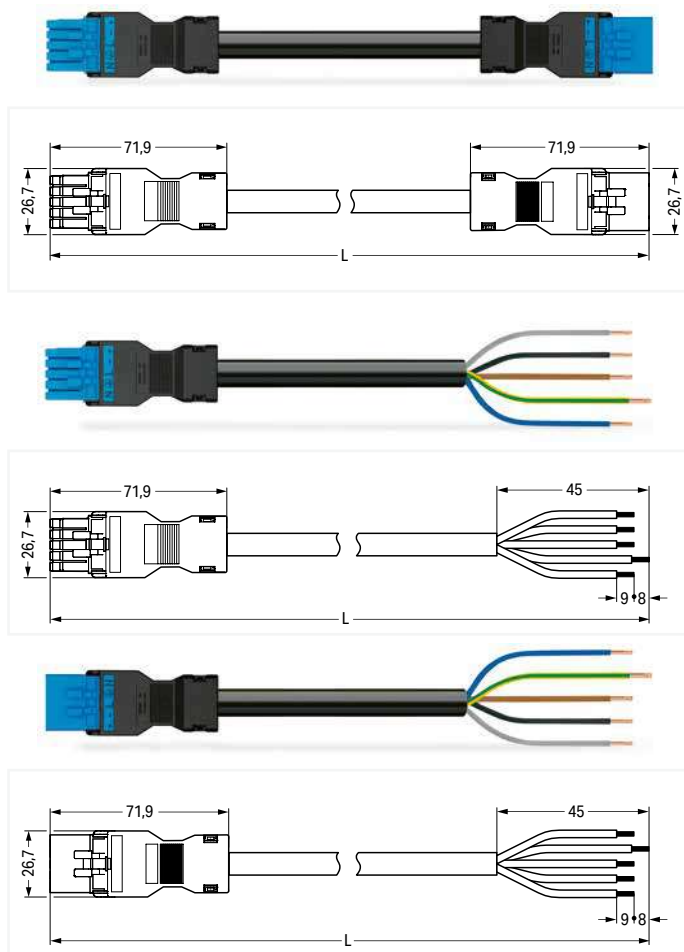
Accessories; for all products on this page

	Locking lever; for flying leads; manually operated		Locking lever; for flying leads; tool operated		Mounting carrier; for flying leads; 2- to 5-pole			
Color	Item no.	PU (SPU)	Color	Item no.	PU (SPU)	Color	Item no.	PU
● black	890-101	100 (50)	● black	890-111	100 (50)	● black	890-310	100
○ white	890-121	100 (50)	○ white	890-131	100 (50)	○ white	890-311	100

PU = packaging unit; SPU = subpackaging unit; Dimensions in mm

Cable assembly ▶ WINSTA® MINI ▶ 891 Series

Pole number: 5 ▶ Fire class per EN 50575: E_{ca} ▶ Coding: I ▶ 1.5 mm² ▶ Marking: N ⊕ L - + ▶ PVC ▶ Sheathed cable diameter: 9.3 ... 11.6 mm ▶ H05VV-F 5G1.5 ▶ DALI, Lighting Management



Interconnecting cable ▶ Socket - Plug ▶ Protection type: IP20; IP40 when mated			
Total length	Connector color / Strain relief color		PU
	blue / black	blue / white	
1 m	891-8985/006-101	891-8985/006-102	1
2 m	891-8985/006-201	891-8985/006-202	1
3 m	891-8985/006-301	891-8985/006-302	1
4 m	891-8985/006-401	891-8985/006-402	1
5 m	891-8985/006-501	891-8985/006-502	1
6 m	891-8985/006-601	891-8985/006-602	1
7 m	891-8985/006-701	891-8985/006-702	1
8 m	891-8985/006-801	891-8985/006-802	1

Connecting cable ▶ Socket - free end ▶ Protection type: IP40			
Total length	Connector color / Strain relief color		PU
	blue / black	blue / white	
1 m	891-8985/106-101	891-8985/106-102	1
2 m	891-8985/106-201	891-8985/106-202	1
3 m	891-8985/106-301	891-8985/106-302	1
4 m	891-8985/106-401	891-8985/106-402	1
5 m	891-8985/106-501	891-8985/106-502	1
6 m	891-8985/106-601	891-8985/106-602	1
7 m	891-8985/106-701	891-8985/106-702	1
8 m	891-8985/106-801	891-8985/106-802	1

Connecting cable ▶ Plug - free end ▶ Protection type: IP20; IP40 when mated			
Total length	Connector color / Strain relief color		PU
	blue / black	blue / white	
1 m	891-8985/206-101	891-8985/206-102	1
2 m	891-8985/206-201	891-8985/206-202	1
3 m	891-8985/206-301	891-8985/206-302	1
4 m	891-8985/206-401	891-8985/206-402	1
5 m	891-8985/206-501	891-8985/206-502	1
6 m	891-8985/206-601	891-8985/206-602	1
7 m	891-8985/206-701	891-8985/206-702	1
8 m	891-8985/206-801	891-8985/206-802	1

Accessories; for all products on this page



Locking lever; for flying leads; manually operated



Locking lever; for flying leads; tool operated



Mounting carrier; for flying leads; 2- to 5-pole

Color	Item no.	PU (SPU)
● black	890-101	100 (50)
○ white	890-121	100 (50)

Color	Item no.	PU (SPU)
● black	890-111	100 (50)
○ white	890-131	100 (50)

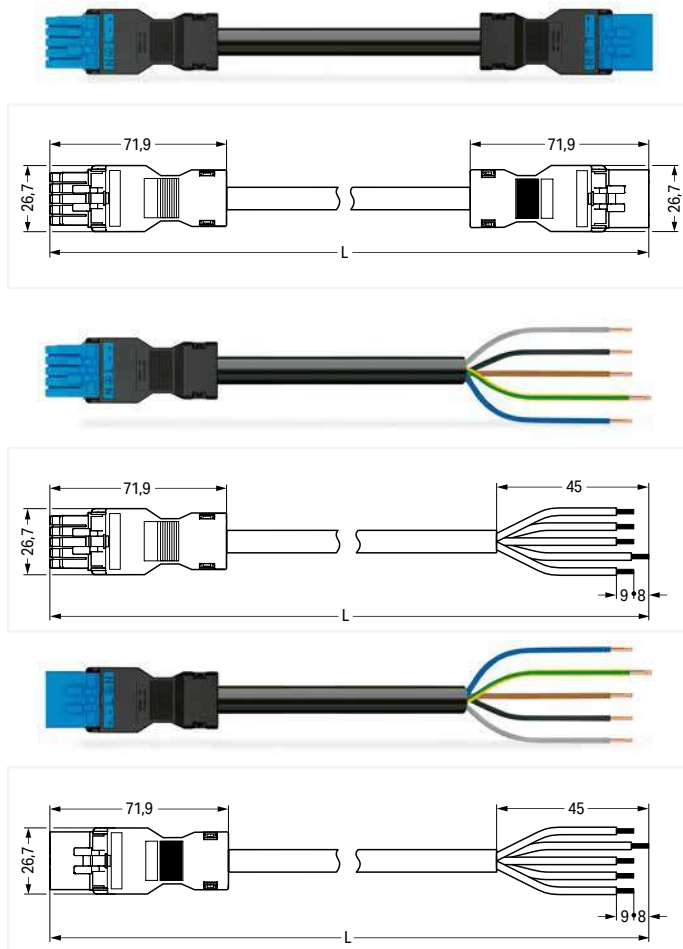
Color	Item no.	PU
● black	890-310	100
○ white	890-311	100

PU = packaging unit; SPU = subpackaging unit; Dimensions in mm

Cable assembly ▶ WINSTA® MINI ▶ 891 Series

Pole number: 5 ▶ Fire class per EN 50575: E_{ca} ▶ Coding: I ▶ 1.5 mm² ▶ Marking: N ⊕ L - + ▶ Halogen-free ▶ Sheathed cable diameter: 9.3 ... 11.6 mm ▶ H05Z1Z1-F 5G1.5 ▶ DALI, Lighting Management

1



Interconnecting cable ▶ Socket - Plug ▶ Protection type: IP20; IP40 when mated			
Total length	Connector color / Strain relief color		PU
	blue / black	blue / white	
1 m	891-8985/016-101	891-8985/016-102	1
2 m	891-8985/016-201	891-8985/016-202	1
3 m	891-8985/016-301	891-8985/016-302	1
4 m	891-8985/016-401	891-8985/016-402	1
5 m	891-8985/016-501	891-8985/016-502	1
6 m	891-8985/016-601	891-8985/016-602	1
7 m	891-8985/016-701	891-8985/016-702	1
8 m	891-8985/016-801	891-8985/016-802	1

Connecting cable ▶ Socket - free end ▶ Protection type: IP40			
Total length	Connector color / Strain relief color		PU
	blue / black	blue / white	
1 m	891-8985/116-101	891-8985/116-102	1
2 m	891-8985/116-201	891-8985/116-202	1
3 m	891-8985/116-301	891-8985/116-302	1
4 m	891-8985/116-401	891-8985/116-402	1
5 m	891-8985/116-501	891-8985/116-502	1
6 m	891-8985/116-601	891-8985/116-602	1
7 m	891-8985/116-701	891-8985/116-702	1
8 m	891-8985/116-801	891-8985/116-802	1

Connecting cable ▶ Plug - free end ▶ Protection type: IP20; IP40 when mated			
Total length	Connector color / Strain relief color		PU
	blue / black	blue / white	
1 m	891-8985/216-101	891-8985/216-102	1
2 m	891-8985/216-201	891-8985/216-202	1
3 m	891-8985/216-301	891-8985/216-302	1
4 m	891-8985/216-401	891-8985/216-402	1
5 m	891-8985/216-501	891-8985/216-502	1
6 m	891-8985/216-601	891-8985/216-602	1
7 m	891-8985/216-701	891-8985/216-702	1
8 m	891-8985/216-801	891-8985/216-802	1

Accessories; for all products on this page



Locking lever; for flying leads; manually operated



Locking lever; for flying leads; tool operated



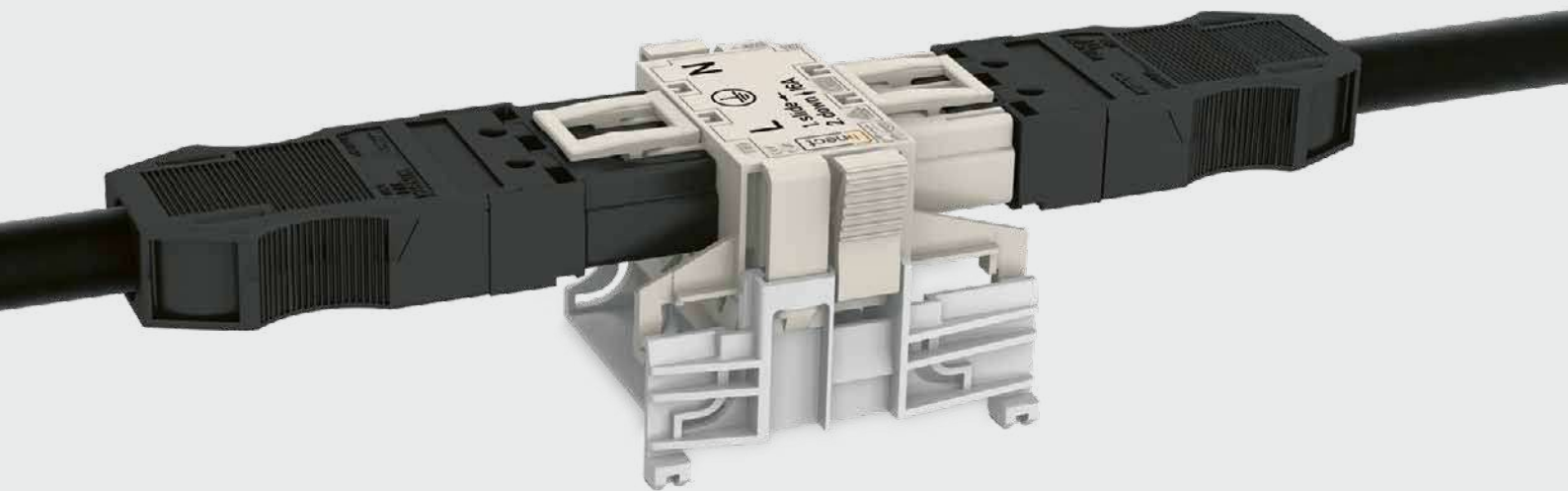
Mounting carrier; for flying leads; 2- to 5-pole

Color	Item no.	PU (SPU)
● black	890-101	100 (50)
○ white	890-121	100 (50)

Color	Item no.	PU (SPU)
● black	890-111	100 (50)
○ white	890-131	100 (50)

Color	Item no.	PU
● black	890-310	100
○ white	890-311	100

PU = packaging unit; SPU = subpackaging unit; Dimensions in mm



WAGO Pluggable Connection System *WINSTA*® MIDI

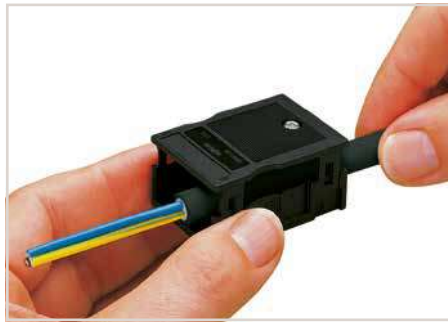
WAGO Pluggable Connection System WINSTA® MIDI ▶ 770, 771 Series

4 mm² / 25 A

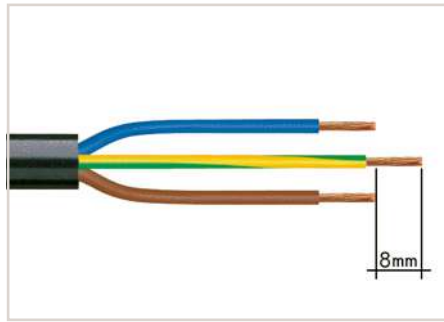
- Note:**
- Installation connectors are designed for connection and disconnection while not under load.
 - There is no hazard-inducing interchangeability with systems based on IEC 60309, IEC 60320, IEC 60906 and with national connector and socket systems.
 - Compliance with the standards (IEC 61535) does not guarantee hazard-preventing, non-interchangeability with installation connector systems from various manufacturers.
 - Installation connector systems are not a substitute for residential connector/socket systems.
 - B-Coded components from the WINSTA® MIDI series are designed for specialty applications (e.g., measurement, control and regulation technology) and certified per DIN EN 61984.
 - WINSTA® MIDI Connectors are not intended for installation in open or easily accessible areas.

	Page	
	Linect® T-Connectors; 770 Series	
	2-pole	129
	3-pole	167
	4-pole	209
	5-pole	241
	Pluggable Connectors; 770 Series	
	2-pole	124
	3-pole	148
	4-pole	196
	5-pole	222
	Snap-In Device Connectors; 770 Series	
	3-pole	154
	4-pole	200
	Pluggable PCB Connectors; 770 Series	
	3-pole	160
	4-pole	204
	Distribution Connectors; 770 Series	
	2-pole	128
	3-pole	164
	Cable Assemblies; 771 Series	
	2-pole	134
	3-pole	174
	4-pole	214
	Cable Assemblies; IP 2XD; 771 Series	
	3-pole	175

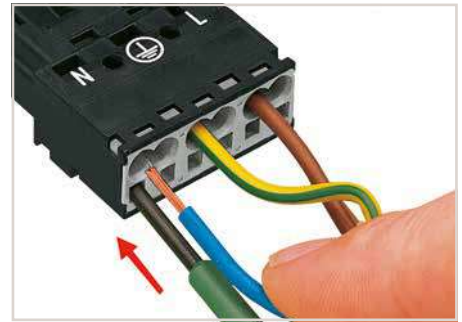
WINSTA® MIDI ▶ 770, 771 Series Installation



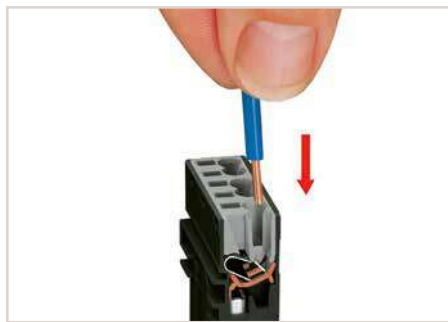
We recommend pulling the pre-latched strain relief housing over the cable prior to termination. However, the strain relief can be mounted at a later time as well.



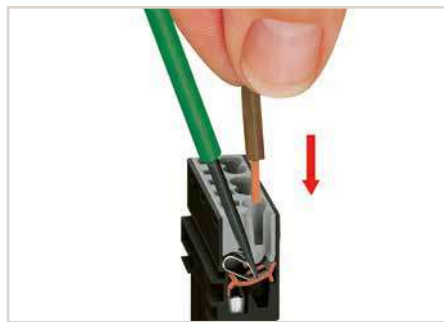
1. Strip length, outer insulation = x mm ❶
2. Strip length = 9 mm
3. Extended ground conductor = 8 mm



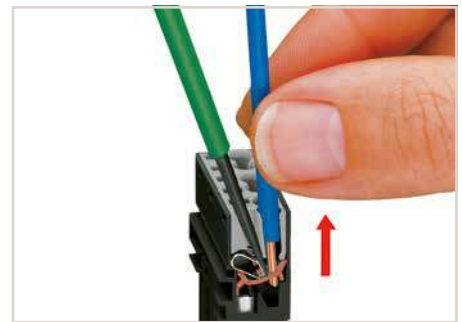
To terminate fine-stranded conductors, open the clamping unit via screwdriver (2.5 mm blade width) and insert a stripped conductor until it hits backstop.



Insert the stripped solid conductor until it hits backstop.



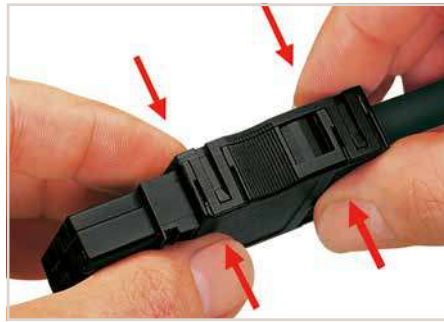
To terminate fine-stranded conductors, open the clamping unit via screwdriver (2.5 mm blade width) and insert a stripped conductor until it hits backstop.



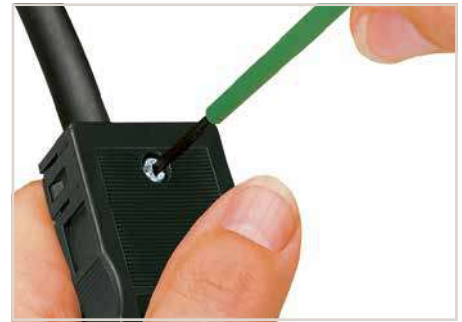
To remove the conductor, actuate the clamp via screwdriver (2.5 mm blade width) and pull out the conductor.



Latch the strain relief housing on the plug/socket. Note the "TOP" inscription.



Prepare strain relief housing by snapping together upper and bottom part.



Tighten strain relief screw via screwdriver (2.5 mm blade width).



Simply cut off the coding pin from the socket.



Insert coding pin into plug (break first) until it engages.



Marking strain relief housing via WSB Quick Marking System.

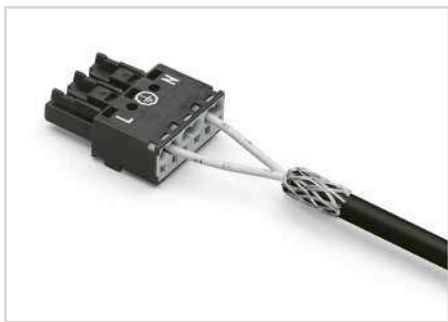
❶ Strip length, outer insulation: 2-pole = 35 mm, 3- to 5-pole = 55 mm



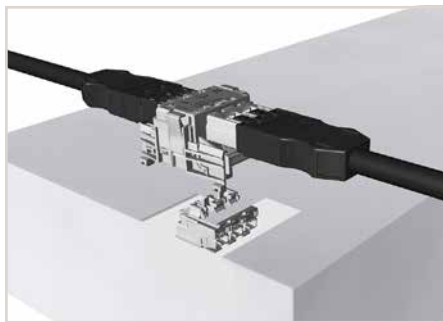
Connector with shield termination



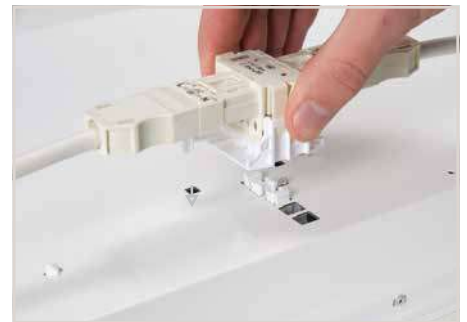
the light connection system



Apply the shield to the rubber cable.
Strip length, outer insulation = 55 mm
Shield length = 10 mm



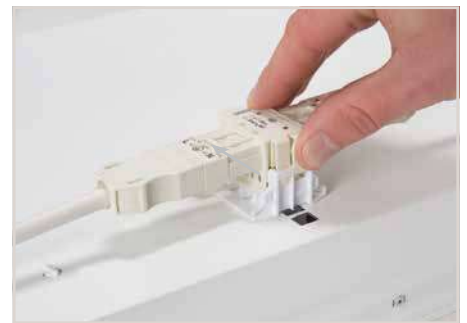
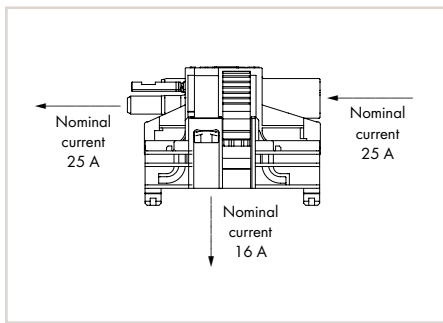
Connecting a T-connector to a 294 Series lighting connector.



Align the T-connector with the square cutouts.



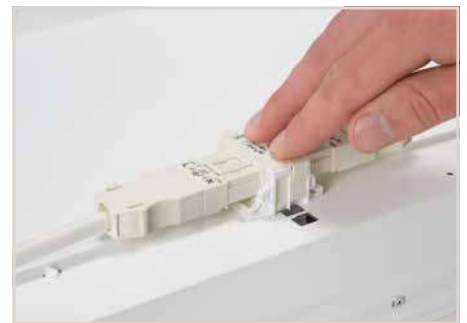
Push the shield connecting plate into the connector until fully inserted.



Move the T-connector toward the square cutouts until it is locked in position.



First insert the wired connector into strain relief housing, then snap cover and tighten screw.

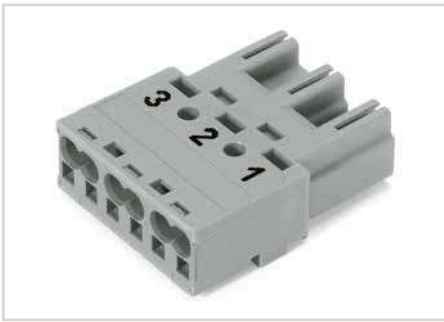


Push down until fully engaged – done!

WINSTA® MIDI ▶ Coding: B ▶ 770, 771 Series

Description and Installation

2



Gray, B-coded connector with "3 2 1" marking, e.g., control signal (A circuit)



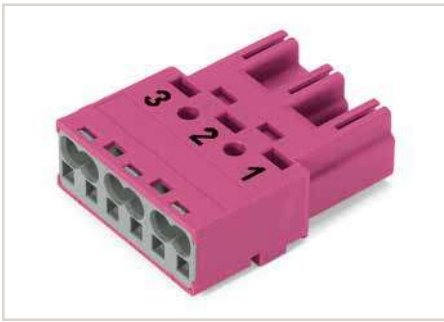
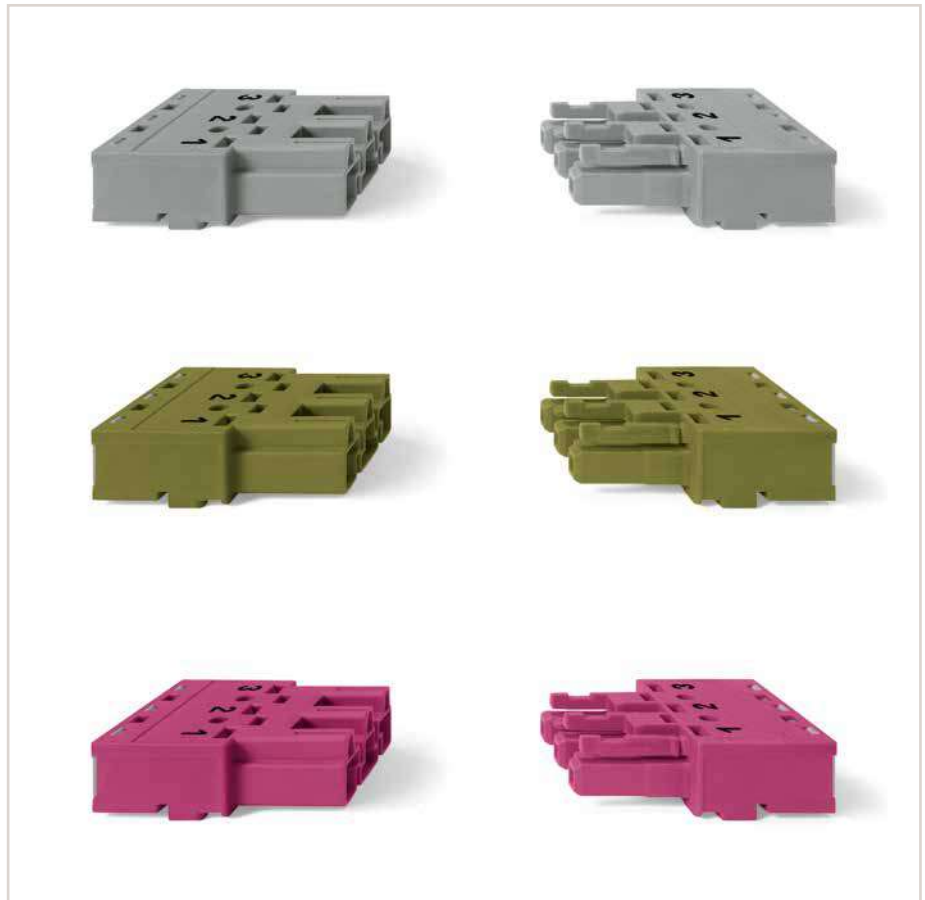
Easy circuit identification via different marking and colors



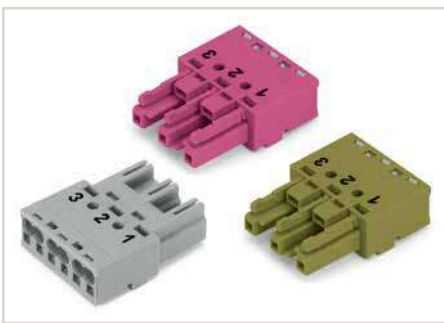
B-coded connectors (shown in gray) not only differ in color, but also in their design, making them incompatible with other coded connectors.



Light green, B-coded connector with "3 2 1" marking, e.g., DC power supply (24 V circuit)



Pink, B-coded connector with "3 2 1" marking, e.g., control signal (B circuit)

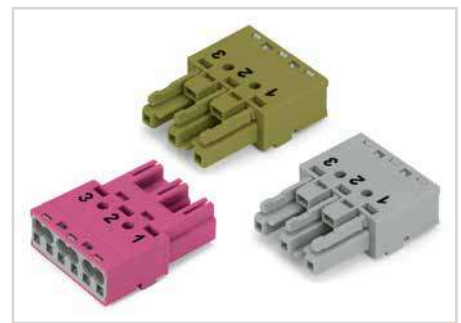
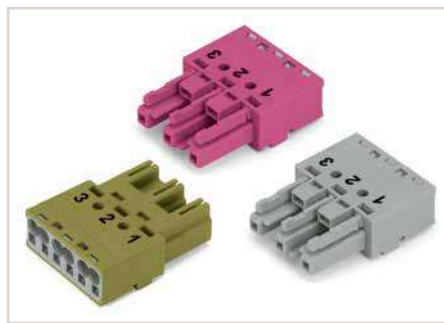


B-coded connectors with different colors can be plugged together.

Important note:

Different colors and/or pole markings are used for circuit identification.

Only connectors of the same color and same pole marking must be plugged together.



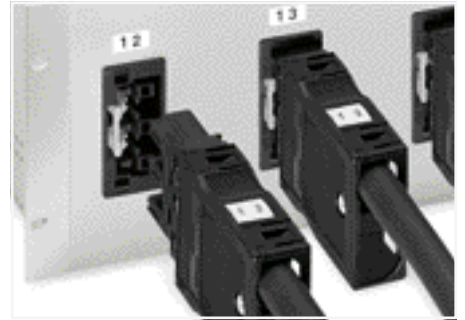
WINSTA® MIDI ▶ 770, 771 Series Marking



Labeling strain relief housings (770 Series) via marking strips (Item No. 210-333)



Labeling strain relief housings (771 Series) via marking strips (Item No. 210-334)

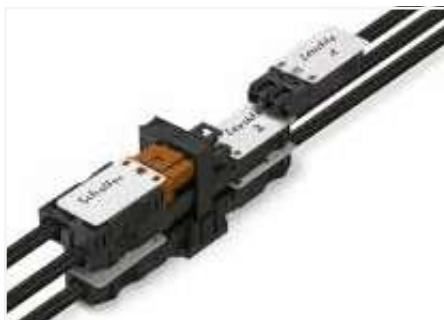


Labeling strain relief housings via WSB Quick Marking System.

2



Cable assembly with marker for custom labeling



Distribution connector with custom labeled cables



Colored markers for extra visual identification of cable assemblies on a WINSTA® Distribution Box

Pluggable connectors ▶ WINSTA® MIDI ▶ 770 Series

Pole number: 2 ▶ Number of connection points: 2 ▶ Protection type: IP20



- Protected against mismatching and maintenance-free
- Push-in CAGE CLAMP® spring pressure connection technology for direct termination of solid conductors
- Two wire connections per pole for loops or bridges

Electrical data			
Coding	A; B; I; L		
Ratings per	IEC/EN 60664-1		
Overvoltage category	III	III	II
Pollution degree	3	2	2
Nominal voltage	250 V	-	-
Rated surge voltage	4 kV	-	-
Rated current	25 A	-	-
Approvals per	UL 1977		
Rated voltage	600 V		
Rated current	23 A		

Connection data	
Connection technology	Push-in CAGE CLAMP®
Strip length	9 mm / 0.35 inches
Nominal cross-section	4 mm ² / 12 AWG
Solid conductor	0.5 ... 4 mm ² / 20 ... 12 AWG
Solid conductor; push-in termination	1.5 ... 4 mm ² / 16 ... 12 AWG
Stranded conductor	0.5 ... 2.5 mm ² / 20 ... 14 AWG
Fine-stranded conductor	0.5 ... 4 mm ² / 20 ... 12 AWG
Fine-stranded conductor; with insulated ferrule	0.25 ... 1.5 mm ² / 20 ... 16 AWG
Fine-stranded conductor; with uninsulated ferrule	0.25 ... 2.5 mm ² / 20 ... 14 AWG
Fine-stranded conductor; with ferrule; push-in termination	1.5 mm ² / 16 AWG

Material Data	
Material group	I
Insulation material	Polyamide (PA66)
Flammability class per UL94	V0
Clamping spring material	Chrome-nickel spring steel (CrNi)
Contact material	Copper or copper alloy; surface-treated
Contact plating	Tin

Mechanical Data	
Number of mating cycles	200, without resistive load
Mating force of a plug-in connection	approx. 20 ... 70 N (depending on pole number)
Unmating force of a plug-in connection	Unlocked: approx. 20 ... 70 N (depending on pole number)
Retention force of a plug-in connection	Locked: > 80 N
Protection type	IP20
Note on protection type	When mated and secured with a strain relief housing: IP2xC (These compact connectors are not designed for use in open, easily accessible areas!)

Environmental requirements	
Processing temperature	-5 ... +40 °C
Continuous operating temperature	-35 ... +85 °C
Note on continuous operating temperature	Insulating parts for temperatures ≤ 105 °C

All WINSTA® components are 100% protected against mismatching when:

- plugging different numbers of poles
- plugging while rotated 180
- plugging while laterally staggered
- plugging one pole

All connectors for mounted installations (snap-in versions for lighting fixtures or devices, all types of PCB and distribution connectors) are factory-equipped with locking levers to ensure plugs and sockets are securely locked. Additional locking levers are only required for flying leads (plug/socket).

Cover [Page 368](#)

Installation [Page 382](#)

Tool [Page 392](#)

See technical section for further information

Approvals and corresponding ratings, visit www.wago.com

Pluggable connectors ▶ WINSTA® MIDI ▶ 770 Series

Pole number: 2 ▶ Number of connection points: 2 ▶ Protection type: IP20

Strain relief housing ▶ Female connector/socket ▶ Strip length (outer insulation): 35 mm ▶ Connectable sheathed cable diameter: 7 ... 10.5 mm

Strain relief housing ▶ Male connector/plug ▶ Strip length (outer insulation): 35 mm ▶ Connectable sheathed cable diameter: 7 ... 10.5 mm



770-102/041-000

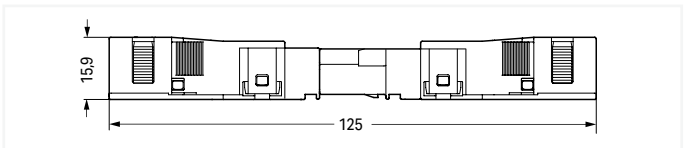
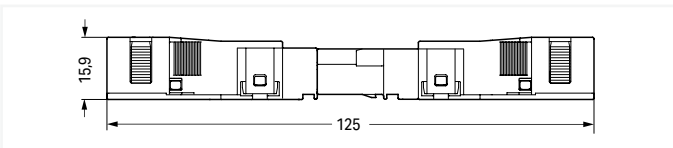
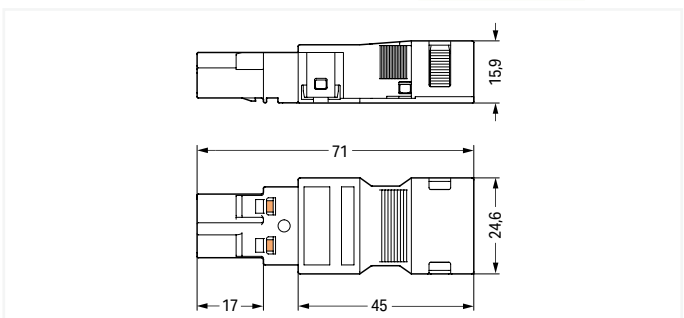
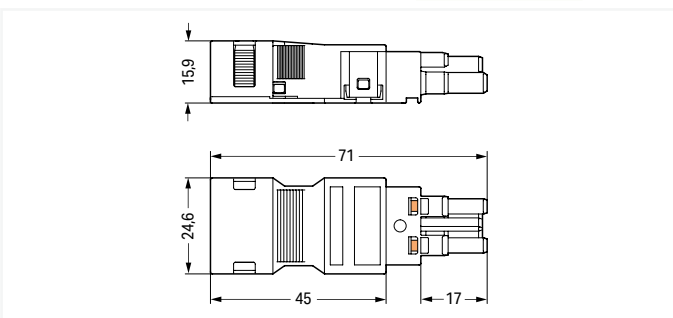
770-112/041-000

General mains applications

Color	Coding	Marking	Item no.	PU
● black	A	L N	770-102/041-000	25
○ white	A	L N	770-122/041-000	25

General mains applications

Color	Coding	Marking	Item no.	PU
● black	A	N L	770-112/041-000	25
○ white	A	N L	770-132/041-000	25



Overall length when mated

Overall length when mated

Item-Specific Accessories

Item-Specific Accessories



Lockout cap; for socket; separable; Pole number: 12

Color	Item no.	PU
● black	770-201	100
○ white	770-221	100



Lockout cap; for plugs; separable; Pole number: 5

Color	Item no.	PU
● yellow	770-360	100

Accessories; for all products on this page



Locking lever; for flying leads; manually operated

Color	Item no.	PU (SPU)
● black	770-101	100 (25)
○ white	770-121	100 (25)



Locking lever; for flying leads; tool operated

Color	Item no.	PU (SPU)
● black	770-111	100 (25)
○ white	770-131	100 (25)



Operating tool; for WAGO WINSTA® MIDI Connectors; Pole number: 2

Color	Item no.	PU (SPU)
● green	770-382	50 (1)

PU = packaging unit; SPU = subpackaging unit; Dimensions in mm

Pluggable connectors ▶ WINSTA® MIDI ▶ 770 Series

Pole number: 2 ▶ Number of connection points: 2 ▶ Protection type: IP20

Female connector/socket

Male connector/plug



2

770-202

770-212

General mains applications

Color	Coding	Marking	Item no.	PU
● black	A	L N	770-202	100
○ white	A	L N	770-222	100

Control technology

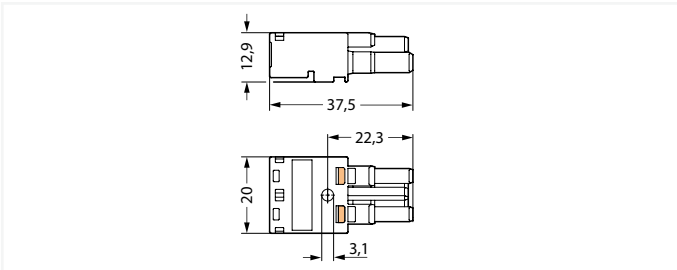
Color	Coding	Marking	Item no.	PU
○ gray	B	1 2	770-242	100
○ gray	B	L N	770-242/060-000	100
● light green	B	1 2	770-262	100
● pink	B	1 2	770-282	100
● pink	B	I+ I-	770-282/080-000	100
● pink	B	+ -	770-282/082-000	100

DALI, Lighting Management

Color	Coding	Marking	Item no.	PU
● blue	I	DA+ DA-	770-1102	100

Emergency power supply

Color	Coding	Marking	Item no.	PU
● dark gray	L	L' N'	770-1162	100



Item-Specific Accessories



Lockout cap; for socket; separable; Pole number: 12

Color	Item no.	PU
● black	770-201	100
○ white	770-221	100

General mains applications

Color	Coding	Marking	Item no.	PU
● black	A	N L	770-212	100
○ white	A	N L	770-232	100

Control technology

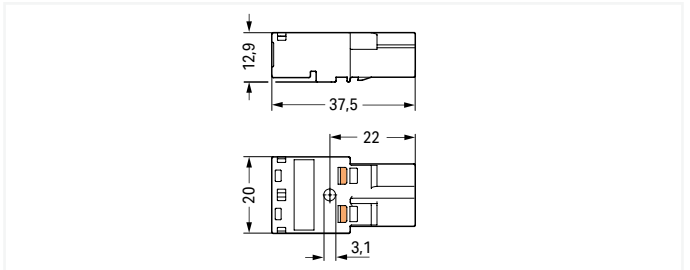
Color	Coding	Marking	Item no.	PU
○ gray	B	2 1	770-252	100
○ gray	B	N L	770-252/060-000	100
● light green	B	2 1	770-272	100
● pink	B	2 1	770-292	100
● pink	B	I- I+	770-292/080-000	100
● pink	B	- +	770-292/082-000	100

DALI, Lighting Management

Color	Coding	Marking	Item no.	PU
● blue	I	DA- DA+	770-1112	100

Emergency power supply

Color	Coding	Marking	Item no.	PU
● dark gray	L	N' L'	770-1172	100



Item-Specific Accessories



Lockout cap; for plugs; separable; Pole number: 5

Color	Item no.	PU
● yellow	770-360	100

Accessories; for all products on this page



Locking lever; for flying leads; manually operated

Color	Item no.	PU (SPU)
● black	770-101	100 (25)
○ white	770-121	100 (25)



Locking lever; for flying leads; tool operated

Color	Item no.	PU (SPU)
● black	770-111	100 (25)
○ white	770-131	100 (25)



Operating tool; for WAGO WINSTA® MIDI Connectors; Pole number: 2

Color	Item no.	PU (SPU)
● green	770-382	50 (1)



Strain relief housing; Connectable sheathed cable diameter: 7 ... 10.5 mm; Strip length (outer insulation): 35 mm

Color	Item no.	PU
● black	770-502/041-000	50
○ white	770-512/041-000	50



Strain relief housing; Connectable sheathed cable diameter: 5 ... 9 mm; Strip length (outer insulation): 35 mm

Color	Item no.	PU
● black	770-502/042-000	50
○ white	770-512/042-000	50

PU = packaging unit; SPU = subpackaging unit; Dimensions in mm

2

Distribution connector ▶ WINSTA® MIDI ▶ 770 Series

Pole number: 2



- Protected against mismatching and maintenance-free

Electrical data			
Coding	I; L; A; B		
Ratings per	IEC/EN 60664-1		
Overvoltage category	III	III	II
Pollution degree	3	2	2
Nominal voltage	250 V	-	-
Rated surge voltage	4 kV	-	-
Rated current	25 A	-	-
Approvals per	UL 1977		
Rated voltage	600 V		
Rated current	23 A		
Material Data			
Insulation material	Polyamide (PA66)		
Flammability class per UL94	V0		
Contact material	Copper or copper alloy; surface-treated		
Contact plating	Tin		
Mechanical Data			
Number of mating cycles	200, without resistive load		
Mating force of a plug-in connection	Approx. 20 ... 70 N (depending on pole number)		
Unmating force of a plug-in connection	Unlocked: approx. 20 ... 70 N (depending on pole number)		
Retention force of a plug-in connection	When locked: > 80 N		
Protection type	IP20		
Note on protection type	When mated: IP2xC (These compact connectors are not designed for use in open, easily accessible areas!)		
Environmental requirements			
Processing temperature	-5 ... +40 °C		
Continuous operating temperature	-35 ... +85 °C		
Note on continuous operating temperature	Insulating parts for temperatures ≤ 105 °C		

All WINSTA® components are 100% protected against mismatching when:

- plugging different numbers of poles
- plugging while rotated 180
- plugging while laterally staggered
- plugging one pole

All connectors for mounted installations (snap-in versions for lighting fixtures or devices, all types of PCB and distribution connectors) are factory-equipped with locking levers to ensure plugs and sockets are securely locked. Additional locking levers are only required for flying leads (plug/socket).

See technical section for further information

Approvals and corresponding ratings, visit www.wago.com

Distribution connector ▶ WINSTA® MIDI ▶ 770 Series

Pole number: 2

Linect® T-connector



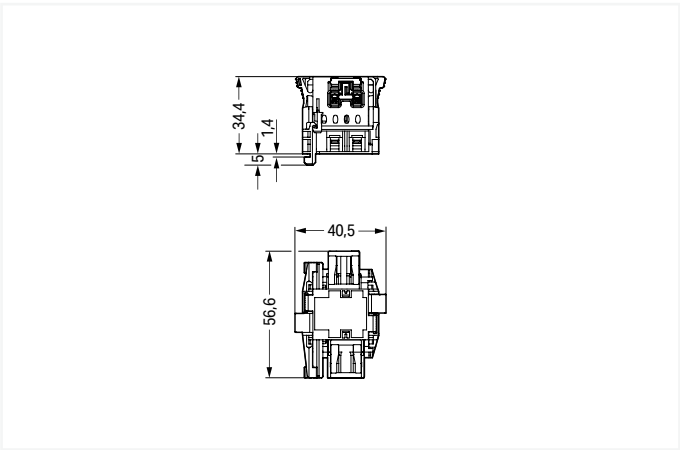
770-7102

DALI, Lighting Management

Color	Coding	Marking	Item no.	PU
○ white	I	DA+ DA-	770-7102	25

Emergency power supply

Color	Coding	Marking	Item no.	PU
○ white	L	L' N'	770-7502	25



2

Accessories; for all products on this page



Lockout cap; for socket; separable; Pole number: 12



Lockout cap; for plugs; separable; Pole number: 5

Color	Item no.	PU
● black	770-201	100
○ white	770-221	100

Color	Item no.	PU
● yellow	770-360	100

PU = packaging unit; SPU = subpackaging unit; Dimensions in mm

Distribution connector ▶ WINSTA® MIDI ▶ 770 Series

Pole number: 2

T-distribution connector

Number of locking levers: 2

for flying leads ▶ Number of locking levers: 3



2

770-1606

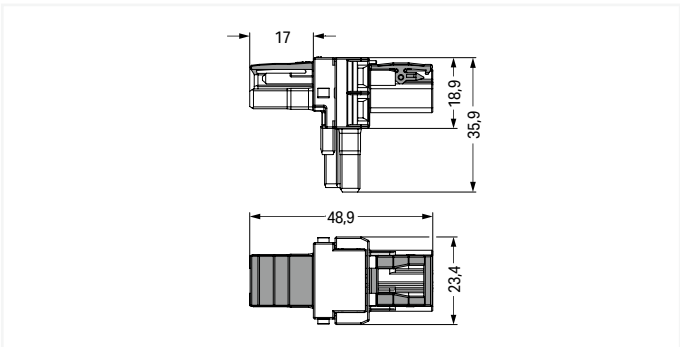
770-1615

General mains applications

Color	Coding	Marking	Item no.	PU
● black	A	L N	770-1606	50
○ white	A	L N	770-1656	50

Control technology

Color	Coding	Marking	Item no.	PU
○ gray	B	1 2	770-1601	50
● light green	B	1 2	770-1602	50
● pink	B	1 2	770-1603	50

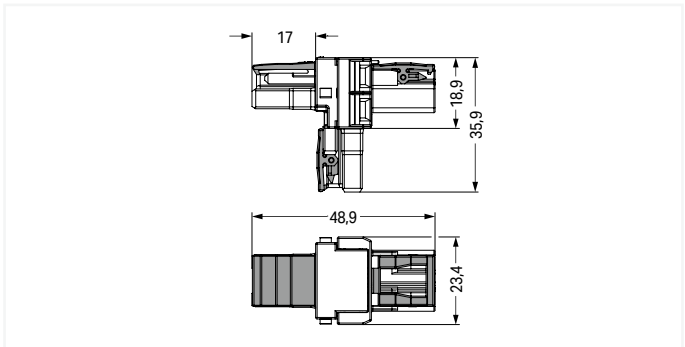


General mains applications

Color	Coding	Marking	Item no.	PU
● black	A	L N	770-1615	50
○ white	A	L N	770-1665	50

Control technology

Color	Coding	Marking	Item no.	PU
○ gray	B	1 2	770-1701	50
● light green	B	1 2	770-1702	50
● pink	B	1 2	770-1703	50



Accessories; for all products on this page



Lockout cap; for socket; separable; Pole number: 12



Lockout cap; for plugs; separable; Pole number: 5

Color	Item no.	PU
● black	770-201	100
○ white	770-221	100

Color	Item no.	PU
● yellow	770-360	100

PU = packaging unit; SPU = subpackaging unit; Dimensions in mm

Distribution connector ▶ WINSTA® MIDI ▶ 770 Series

Pole number: 2

h-distribution connector, outputs on both sides

Number of locking levers: 2

for flying leads ▶ Number of locking levers: 3

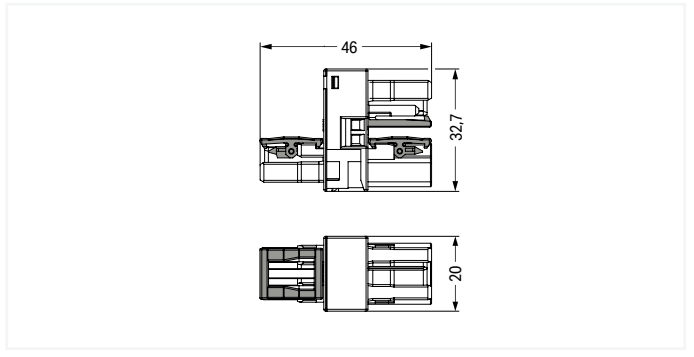
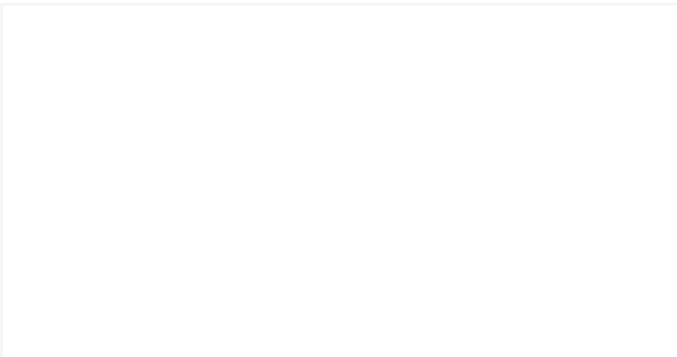


770-1608

770-1658

Control technology				
Color	Coding	Marking	Item no.	PU
○ gray	B	1 2	770-1608	50
● light green	B	1 2	770-1609	50
● pink	B	1 2	770-1610	50

Control technology				
Color	Coding	Marking	Item no.	PU
○ gray	B	1 2	770-1658	50
● light green	B	1 2	770-1659	50
● pink	B	1 2	770-1660	50



2

Accessories; for all products on this page



Mounting plate; for distribution connectors (except T-distribution connectors); 2-pole

Color	Item no.	PU
● black	770-1626	25
○ white	770-1627	25



Lockout cap; for socket; separable; Pole number: 12

Color	Item no.	PU
● black	770-201	100
○ white	770-221	100



Lockout cap; for plugs; separable; Pole number: 5

Color	Item no.	PU
● yellow	770-360	100

PU = packaging unit; SPU = subpackaging unit; Dimensions in mm

Distribution connector ▶ WINSTA® MIDI ▶ 770 Series

Pole number: 2

h-distribution connector, outputs on one side

Number of locking levers: 2

for flying leads ▶ Number of locking levers: 3



2

770-1634

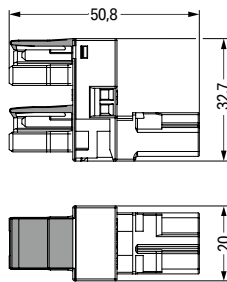
770-1636

General mains applications

Color	Coding	Marking	Item no.	PU
● black	A	L N	770-1634	50
○ white	A	L N	770-1684	50

Control technology

Color	Coding	Marking	Item no.	PU
○ gray	B	1 2	770-1651	50
● light green	B	1 2	770-1652	50
● pink	B	1 2	770-1653	50

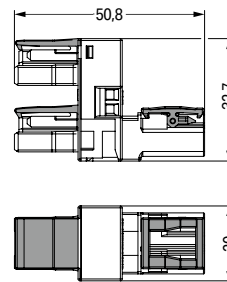


General mains applications

Color	Coding	Marking	Item no.	PU
● black	A	L N	770-1636	50
○ white	A	L N	770-1686	50

Control technology

Color	Coding	Marking	Item no.	PU
○ gray	B	1 2	770-1751	50
● light green	B	1 2	770-1752	50
● pink	B	1 2	770-1753	50



Accessories; for all products on this page



Mounting plate; for distribution connectors (except T-distribution connectors); 2-pole

Color	Item no.	PU
● black	770-1626	25
○ white	770-1627	25



Lockout cap; for socket; separable; Pole number: 12

Color	Item no.	PU
● black	770-201	100
○ white	770-221	100



Lockout cap; for plugs; separable; Pole number: 5

Color	Item no.	PU
● yellow	770-360	100

PU = packaging unit; SPU = subpackaging unit; Dimensions in mm

Distribution connector ▶ WINSTA® MIDI ▶ 770 Series

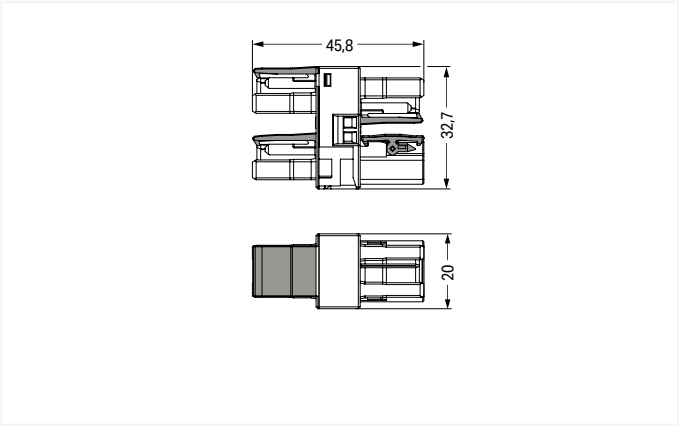
Pole number: 2

Distribution connector, 3-way ▶ Number of locking levers: 4



770-1704

Control technology				
Color	Coding	Marking	Item no.	PU
○ gray	B	1 2	770-1704	50
● light green	B	1 2	770-1705	50
● pink	B	1 2	770-1706	50



2

Accessories; for all products on this page



Mounting plate; for distribution connectors (except T-distribution connectors); 2-pole

Color	Item no.	PU
● black	770-1626	25
○ white	770-1627	25



Lockout cap; for socket; separable; Pole number: 12

Color	Item no.	PU
● black	770-201	100
○ white	770-221	100



Lockout cap; for plugs; separable; Pole number: 5

Color	Item no.	PU
● yellow	770-360	100

PU = packaging unit; SPU = subpackaging unit; Dimensions in mm

Cable assembly ▶ WINSTA® MIDI ▶ 771 Series

Pole number: 2 ▶ Protection type: IP20 ▶ Fire class per EN 50575: E_{ca}



- Protected against mismatching and maintenance-free
- Push-in CAGE CLAMP® spring pressure connection technology allows solid conductors to be simply pushed into a unit.
- Two wire connections per pole for loops or bridges

Electrical data									
Coding	A; B; I; L			A; L			B		
Wire cross-section	1.5 mm ²			2.5 mm ²			1 mm ²		
Ratings per	IEC/EN 60664-1			IEC/EN 60664-1			IEC/EN 60664-1		
Overtoltage category	III	III	II	III	III	II	III	III	II
Pollution degree	3	2	2	3	2	2	3	2	2
Nominal voltage	250 V	-	-	250 V	-	-	250 V	-	-
Rated surge voltage	4 kV	-	-	4 kV	-	-	4 kV	-	-
Rated current	16 A	-	-	20 A	-	-	10 A	-	-
Material Data									
Insulation material	Polyamide (PA66)								
Contact material	Copper or copper alloy; surface-treated								
Contact plating	Tin								
Fire class per EN 50575	E _{ca}								
Mechanical Data									
Number of mating cycles	200, without resistive load								
Mating force of a plug-in connection	approx. 20 ... 70 N (depending on pole number)								
Unmating force of a plug-in connection	when unlocked: approx. 20 ... 70 N (depending on pole number)								
Retention force of a plug-in connection	when locked: > 80N								
Protection type	IP20								
Note on protection type	When mated: IP2xC (These compact connectors are not designed for use in open, easily accessible areas!)								
Environmental requirements									
Processing temperature	-5 ... +40 °C								
Continuous operating temperature	-35 ... +85 °C								
Note on continuous operating temperature	Cable for temperatures ≤ 70 °C (including halogen-free) Insulating parts for temperatures ≤ 105 °C								

Cables with a different fire class can be found in the eShop.

All WINSTA® components are 100% protected against mismatching when:

- plugging different numbers of poles
- plugging while rotated 180
- plugging while laterally staggered
- plugging one pole

All connectors for mounted installations (snap-in versions for lighting fixtures or devices, all types of PCB and distribution connectors) are factory-equipped with locking levers to ensure plugs and sockets are securely locked. Additional locking levers are only required for flying leads (plug/socket).

Cover [Page 368](#)

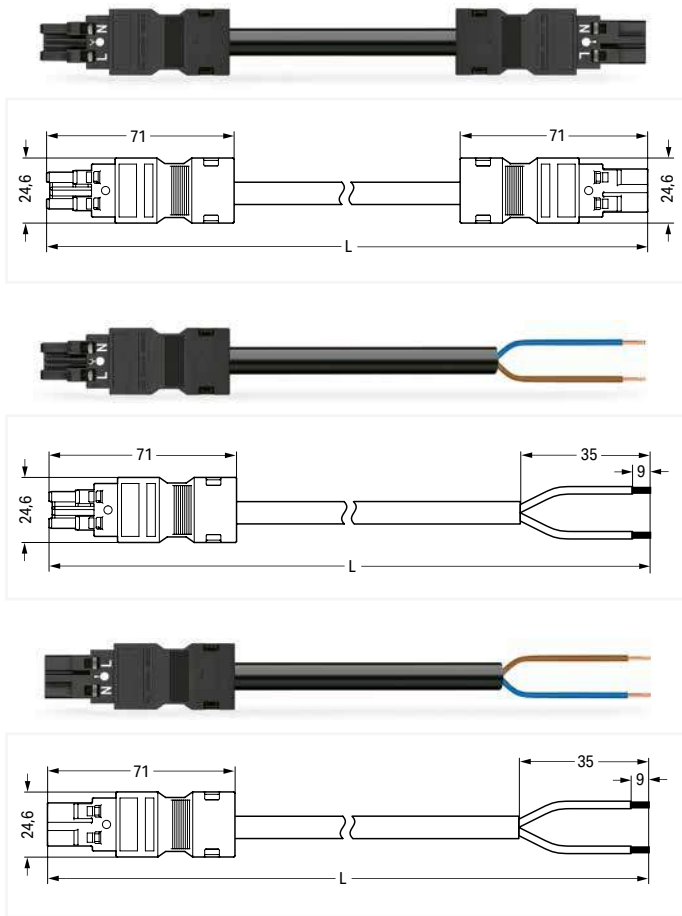
Marking [Page 397](#)

See technical section for further information

Approvals and corresponding ratings, visit www.wago.com

Cable assembly ▶ WINSTA® MIDI ▶ 771 Series

Pole number: 2 ▶ Protection type: IP20 ▶ Fire class per EN 50575: E_{ca} ▶ Coding: A ▶ 1.5 mm² ▶ Marking: L N ▶ PVC ▶ Sheathed cable diameter: 6.8 ... 8.6 mm ▶ H05VV-F 2x1.5 ▶ General mains applications



Interconnecting cable ▶ Socket - Plug

Total length	Connector color / Strain relief color		PU
	black / black	white / white	
1 m	771-8992/006-101	771-8992/006-102	1
2 m	771-8992/006-201	771-8992/006-202	1
3 m	771-8992/006-301	771-8992/006-302	1
4 m	771-8992/006-401	771-8992/006-402	1
5 m	771-8992/006-501	771-8992/006-502	1
6 m	771-8992/006-601	771-8992/006-602	1
7 m	771-8992/006-701	771-8992/006-702	1
8 m	771-8992/006-801	771-8992/006-802	1

Connecting cable ▶ Socket - free end ▶ Strip length (outer insulation): 35 mm

Total length	Connector color / Strain relief color		PU
	black / black	white / white	
1 m	771-8992/106-101	771-8992/106-102	1
2 m	771-8992/106-201	771-8992/106-202	1
3 m	771-8992/106-301	771-8992/106-302	1
4 m	771-8992/106-401	771-8992/106-402	1
5 m	771-8992/106-501	771-8992/106-502	1
6 m	771-8992/106-601	771-8992/106-602	1
7 m	771-8992/106-701	771-8992/106-702	1
8 m	771-8992/106-801	771-8992/106-802	1

Connecting cable ▶ Plug - free end ▶ Strip length (outer insulation): 35 mm

Total length	Connector color / Strain relief color		PU
	black / black	white / white	
1 m	771-8992/206-101	771-8992/206-102	1
2 m	771-8992/206-201	771-8992/206-202	1
3 m	771-8992/206-301	771-8992/206-302	1
4 m	771-8992/206-401	771-8992/206-402	1
5 m	771-8992/206-501	771-8992/206-502	1
6 m	771-8992/206-601	771-8992/206-602	1
7 m	771-8992/206-701	771-8992/206-702	1
8 m	771-8992/206-801	771-8992/206-802	1

2

Accessories; for all products on this page

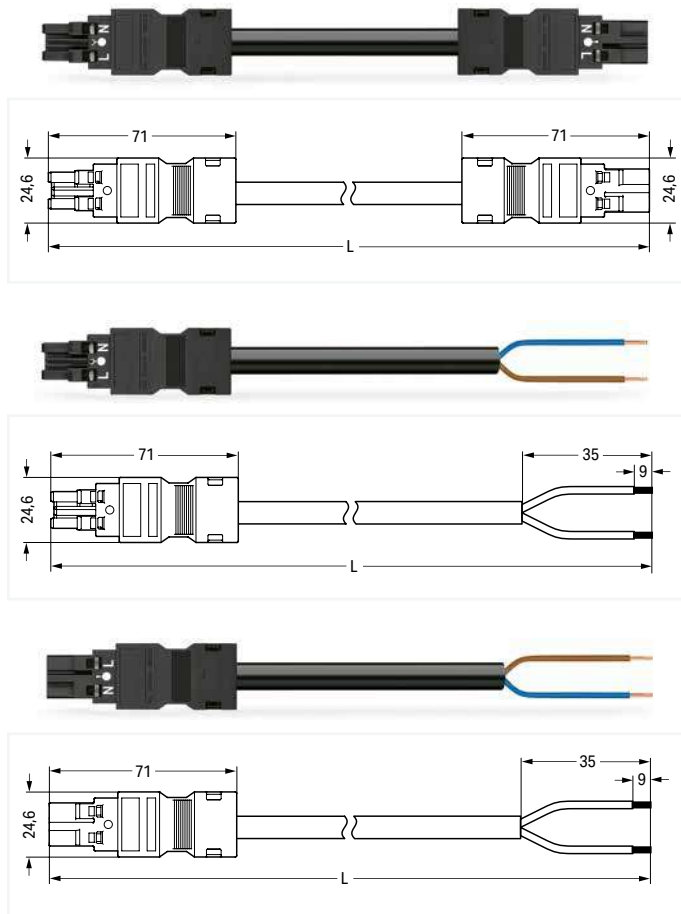
Locking lever; for flying leads; manually operated			Locking lever; for flying leads; tool operated			Mounting carrier; for flying leads; 2- to 5-pole		
Color	Item no.	PU (SPU)	Color	Item no.	PU (SPU)	Color	Item no.	PU
● black	770-101	100 (25)	● black	770-111	100 (25)	● black	770-310	25
○ white	770-121	100 (25)	○ white	770-131	100 (25)			

PU = packaging unit; SPU = subpackaging unit; Dimensions in mm

Cable assembly ▶ WINSTA® MIDI ▶ 771 Series

Pole number: 2 ▶ Protection type: IP20 ▶ Fire class per EN 50575: E_{ca} ▶ Coding: A ▶ 1.5 mm² ▶ Marking: L N ▶ Halogen-free ▶ Sheathed cable diameter: 6.8 ... 8.6 mm ▶ H05Z1Z1-F 2x1.5 ▶ General mains applications

2






Interconnecting cable ▶ Socket - Plug			
Total length	Connector color / Strain relief color		PU
	black / black	white / white	
1 m	771-8992/016-101	771-8992/016-102	1
2 m	771-8992/016-201	771-8992/016-202	1
3 m	771-8992/016-301	771-8992/016-302	1
4 m	771-8992/016-401	771-8992/016-402	1
5 m	771-8992/016-501	771-8992/016-502	1
6 m	771-8992/016-601	771-8992/016-602	1
7 m	771-8992/016-701	771-8992/016-702	1
8 m	771-8992/016-801	771-8992/016-802	1

Connecting cable ▶ Socket - free end ▶ Strip length (outer insulation): 35 mm			
Total length	Connector color / Strain relief color		PU
	black / black	white / white	
1 m	771-8992/116-101	771-8992/116-102	1
2 m	771-8992/116-201	771-8992/116-202	1
3 m	771-8992/116-301	771-8992/116-302	1
4 m	771-8992/116-401	771-8992/116-402	1
5 m	771-8992/116-501	771-8992/116-502	1
6 m	771-8992/116-601	771-8992/116-602	1
7 m	771-8992/116-701	771-8992/116-702	1
8 m	771-8992/116-801	771-8992/116-802	1

Connecting cable ▶ Plug - free end ▶ Strip length (outer insulation): 35 mm			
Total length	Connector color / Strain relief color		PU
	black / black	white / white	
1 m	771-8992/216-101	771-8992/216-102	1
2 m	771-8992/216-201	771-8992/216-202	1
3 m	771-8992/216-301	771-8992/216-302	1
4 m	771-8992/216-401	771-8992/216-402	1
5 m	771-8992/216-501	771-8992/216-502	1
6 m	771-8992/216-601	771-8992/216-602	1
7 m	771-8992/216-701	771-8992/216-702	1
8 m	771-8992/216-801	771-8992/216-802	1

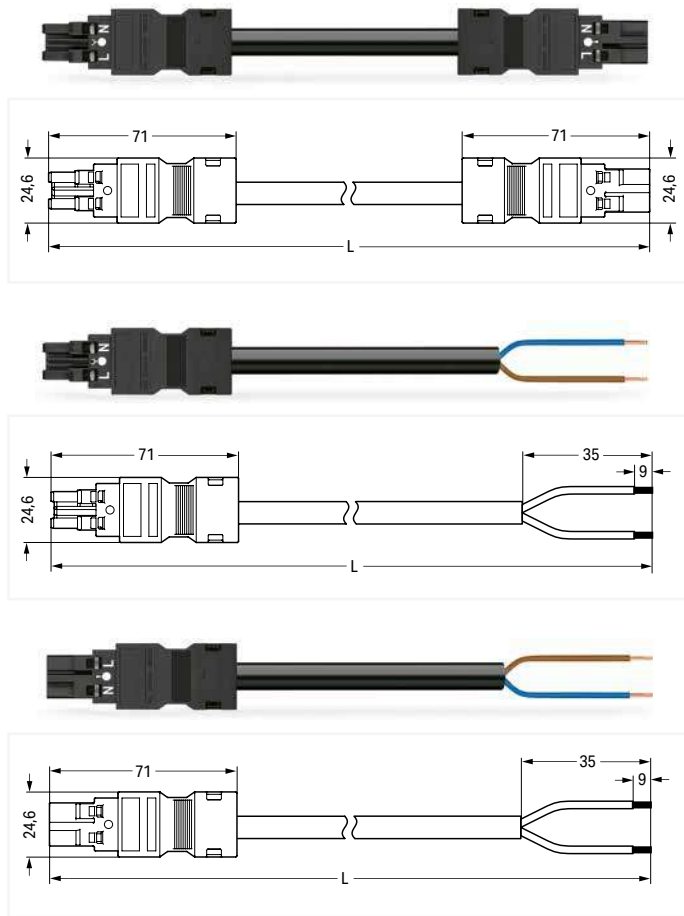
Accessories; for all products on this page

 Locking lever; for flying leads; manually operated			 Locking lever; for flying leads; tool operated			 Mounting carrier; for flying leads; 2- to 5-pole		
Color	Item no.	PU (SPU)	Color	Item no.	PU (SPU)	Color	Item no.	PU
● black	770-101	100 (25)	● black	770-111	100 (25)	● black	770-310	25
○ white	770-121	100 (25)	○ white	770-131	100 (25)			

PU = packaging unit; SPU = subpackaging unit; Dimensions in mm

Cable assembly ▶ WINSTA® MIDI ▶ 771 Series

Pole number: 2 ▶ Protection type: IP20 ▶ Fire class per EN 50575: E_{ca} ▶ Coding: A ▶ 2.5 mm² ▶ Marking: L N ▶ PVC ▶ Sheathed cable diameter: 8.4 ... 10.6 mm ▶ H05VV-F 2x2.5 ▶ General mains applications



Interconnecting cable ▶ Socket - Plug

Total length	Connector color / Strain relief color		PU
	black / black	white / white	
1 m	771-8992/007-101	771-8992/007-102	1
2 m	771-8992/007-201	771-8992/007-202	1
3 m	771-8992/007-301	771-8992/007-302	1
4 m	771-8992/007-401	771-8992/007-402	1
5 m	771-8992/007-501	771-8992/007-502	1
6 m	771-8992/007-601	771-8992/007-602	1
7 m	771-8992/007-701	771-8992/007-702	1
8 m	771-8992/007-801	771-8992/007-802	1

Connecting cable ▶ Socket - free end ▶ Strip length (outer insulation): 35 mm




Total length	Connector color / Strain relief color		PU
	black / black	white / white	
1 m	771-8992/107-101	771-8992/107-102	1
2 m	771-8992/107-201	771-8992/107-202	1
3 m	771-8992/107-301	771-8992/107-302	1
4 m	771-8992/107-401	771-8992/107-402	1
5 m	771-8992/107-501	771-8992/107-502	1
6 m	771-8992/107-601	771-8992/107-602	1
7 m	771-8992/107-701	771-8992/107-702	1
8 m	771-8992/107-801	771-8992/107-802	1

Connecting cable ▶ Plug - free end ▶ Strip length (outer insulation): 35 mm

Total length	Connector color / Strain relief color		PU
	black / black	white / white	
1 m	771-8992/207-101	771-8992/207-102	1
2 m	771-8992/207-201	771-8992/207-202	1
3 m	771-8992/207-301	771-8992/207-302	1
4 m	771-8992/207-401	771-8992/207-402	1
5 m	771-8992/207-501	771-8992/207-502	1
6 m	771-8992/207-601	771-8992/207-602	1
7 m	771-8992/207-701	771-8992/207-702	1
8 m	771-8992/207-801	771-8992/207-802	1

2

Accessories; for all products on this page

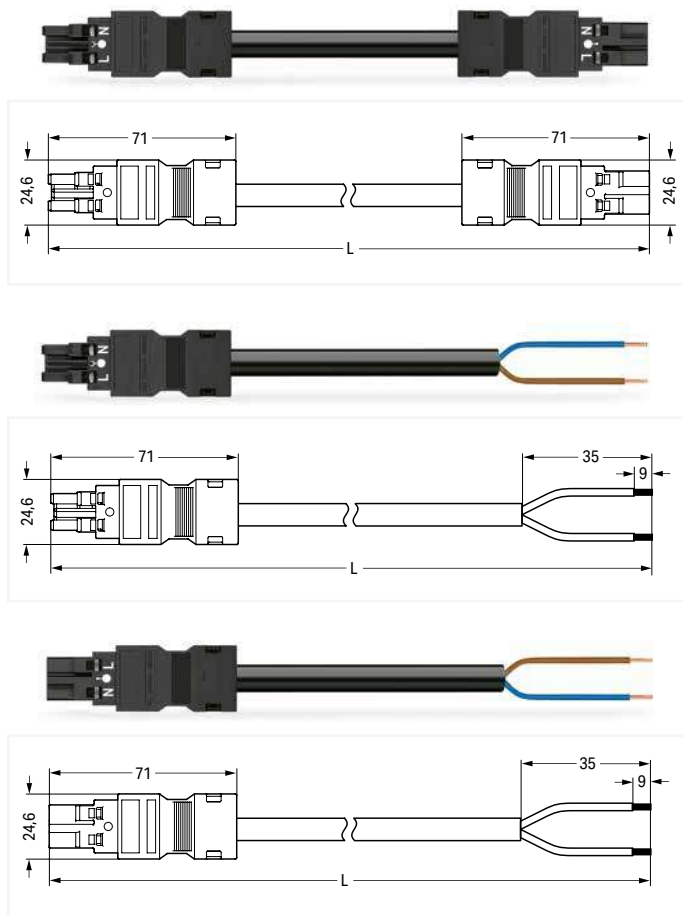
 Locking lever; for flying leads; manually operated			 Locking lever; for flying leads; tool operated			 Mounting carrier; for flying leads; 2- to 5-pole		
Color	Item no.	PU (SPU)	Color	Item no.	PU (SPU)	Color	Item no.	PU
● black	770-101	100 (25)	● black	770-111	100 (25)	● black	770-310	25
○ white	770-121	100 (25)	○ white	770-131	100 (25)			

PU = packaging unit; SPU = subpackaging unit; Dimensions in mm

Cable assembly ▶ WINSTA® MIDI ▶ 771 Series

Pole number: 2 ▶ Protection type: IP20 ▶ Fire class per EN 50575: E_{ca} ▶ Coding: A ▶ 2.5 mm² ▶ Marking: L N ▶ Halogen-free ▶ Sheathed cable diameter: 8.4 ... 10.6 mm ▶ H05Z1Z1-F 2x2.5 ▶ General mains applications

2



Interconnecting cable ▶ Socket - Plug			
Total length	Connector color / Strain relief color		PU
	black / black	white / white	
1 m	771-8992/017-101	771-8992/017-102	1
2 m	771-8992/017-201	771-8992/017-202	1
3 m	771-8992/017-301	771-8992/017-302	1
4 m	771-8992/017-401	771-8992/017-402	1
5 m	771-8992/017-501	771-8992/017-502	1
6 m	771-8992/017-601	771-8992/017-602	1
7 m	771-8992/017-701	771-8992/017-702	1
8 m	771-8992/017-801	771-8992/017-802	1

Connecting cable ▶ Socket - free end ▶ Strip length (outer insulation): 35 mm			
Total length	Connector color / Strain relief color		PU
	black / black	white / white	
1 m	771-8992/117-101	771-8992/117-102	1
2 m	771-8992/117-201	771-8992/117-202	1
3 m	771-8992/117-301	771-8992/117-302	1
4 m	771-8992/117-401	771-8992/117-402	1
5 m	771-8992/117-501	771-8992/117-502	1
6 m	771-8992/117-601	771-8992/117-602	1
7 m	771-8992/117-701	771-8992/117-702	1
8 m	771-8992/117-801	771-8992/117-802	1

Connecting cable ▶ Plug - free end ▶ Strip length (outer insulation): 35 mm			
Total length	Connector color / Strain relief color		PU
	black / black	white / white	
1 m	771-8992/217-101	771-8992/217-102	1
2 m	771-8992/217-201	771-8992/217-202	1
3 m	771-8992/217-301	771-8992/217-302	1
4 m	771-8992/217-401	771-8992/217-402	1
5 m	771-8992/217-501	771-8992/217-502	1
6 m	771-8992/217-601	771-8992/217-602	1
7 m	771-8992/217-701	771-8992/217-702	1
8 m	771-8992/217-801	771-8992/217-802	1

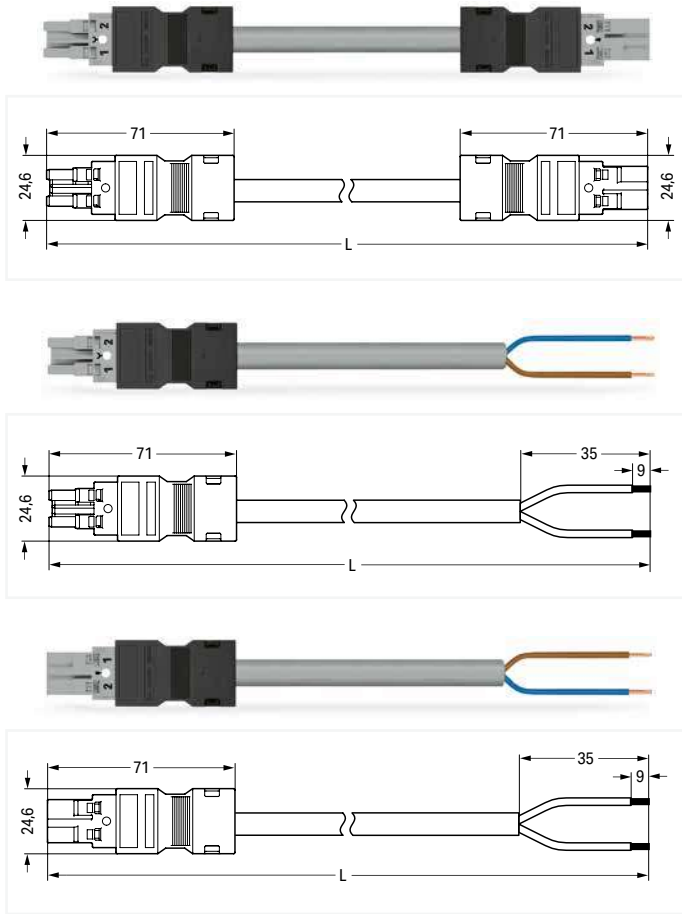
Accessories; for all products on this page

	Locking lever; for flying leads; manually operated		Locking lever; for flying leads; tool operated		Mounting carrier; for flying leads; 2- to 5-pole			
Color	Item no.	PU (SPU)	Color	Item no.	PU (SPU)	Color	Item no.	PU
● black	770-101	100 (25)	● black	770-111	100 (25)	● black	770-310	25
○ white	770-121	100 (25)	○ white	770-131	100 (25)			

PU = packaging unit; SPU = subpackaging unit; Dimensions in mm

Cable assembly ▶ WINSTA® MIDI ▶ 771 Series

Pole number: 2 ▶ Protection type: IP20 ▶ Fire class per EN 50575: E_{ca} ▶ Coding: B ▶ 1 mm² ▶ Marking: 1 2 ▶ PVC ▶ Sheathed cable diameter: 5.9 ... 7.5 mm ▶ Control line 2 x 1 ▶ Control technology



Interconnecting cable ▶ Socket - Plug

Total length	Connector color / Strain relief color			PU
	gray / black	light green / black	pink / black	
1 m	771-8992/005-103	771-8992/005-105	771-8992/005-107	1
2 m	771-8992/005-203	771-8992/005-205	771-8992/005-207	1
3 m	771-8992/005-303	771-8992/005-305	771-8992/005-307	1
4 m	771-8992/005-403	771-8992/005-405	771-8992/005-407	1
5 m	771-8992/005-503	771-8992/005-505	771-8992/005-507	1
6 m	771-8992/005-603	771-8992/005-605	771-8992/005-607	1
7 m	771-8992/005-703	771-8992/005-705	771-8992/005-707	1
8 m	771-8992/005-803	771-8992/005-805	771-8992/005-807	1

Connecting cable ▶ Socket - free end ▶ Strip length (outer insulation): 35 mm




Total length	Connector color / Strain relief color			PU
	gray / black	light green / black	pink / black	
1 m	771-8992/105-103	771-8992/105-105	771-8992/105-107	1
2 m	771-8992/105-203	771-8992/105-205	771-8992/105-207	1
3 m	771-8992/105-303	771-8992/105-305	771-8992/105-307	1
4 m	771-8992/105-403	771-8992/105-405	771-8992/105-407	1
5 m	771-8992/105-503	771-8992/105-505	771-8992/105-507	1
6 m	771-8992/105-603	771-8992/105-605	771-8992/105-607	1
7 m	771-8992/105-703	771-8992/105-705	771-8992/105-707	1
8 m	771-8992/105-803	771-8992/105-805	771-8992/105-807	1

Connecting cable ▶ Plug - free end ▶ Strip length (outer insulation): 35 mm

Total length	Connector color / Strain relief color			PU
	gray / black	light green / black	pink / black	
1 m	771-8992/205-103	771-8992/205-105	771-8992/205-107	1
2 m	771-8992/205-203	771-8992/205-205	771-8992/205-207	1
3 m	771-8992/205-303	771-8992/205-305	771-8992/205-307	1
4 m	771-8992/205-403	771-8992/205-405	771-8992/205-407	1
5 m	771-8992/205-503	771-8992/205-505	771-8992/205-507	1
6 m	771-8992/205-603	771-8992/205-605	771-8992/205-607	1
7 m	771-8992/205-703	771-8992/205-705	771-8992/205-707	1
8 m	771-8992/205-803	771-8992/205-805	771-8992/205-807	1

2

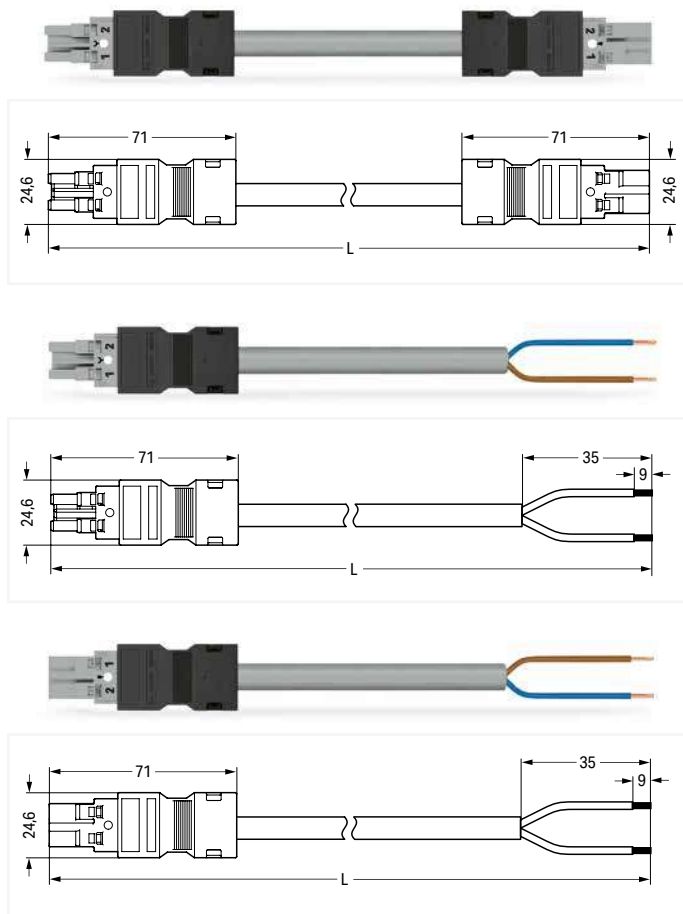
Accessories; for all products on this page

 Locking lever; for flying leads; manually operated			 Locking lever; for flying leads; tool operated			 Mounting carrier; for flying leads; 2- to 5-pole		
Color	Item no.	PU (SPU)	Color	Item no.	PU (SPU)	Color	Item no.	PU
● black	770-101	100 (25)	● black	770-111	100 (25)	● black	770-310	25
○ white	770-121	100 (25)	○ white	770-131	100 (25)			

PU = packaging unit; SPU = subpackaging unit; Dimensions in mm

Cable assembly ▶ WINSTA® MIDI ▶ 771 Series

Pole number: 2 ▶ Protection type: IP20 ▶ Fire class per EN 50575: E_{ca} ▶ Coding: B ▶ 1.5 mm² ▶ Marking: 1 2 ▶ PVC ▶ Sheathed cable diameter: 6.8 ... 8.6 mm ▶ Control line 2 x 1.5 ▶ Control technology



Interconnecting cable ▶ Socket - Plug				
Total length	Connector color / Strain relief color			PU
	gray / black	light green / black	pink / black	
1 m	771-8992/006-103	771-8992/006-105	771-8992/006-107	1
2 m	771-8992/006-203	771-8992/006-205	771-8992/006-207	1
3 m	771-8992/006-303	771-8992/006-305	771-8992/006-307	1
4 m	771-8992/006-403	771-8992/006-405	771-8992/006-407	1
5 m	771-8992/006-503	771-8992/006-505	771-8992/006-507	1
6 m	771-8992/006-603	771-8992/006-605	771-8992/006-607	1
7 m	771-8992/006-703	771-8992/006-705	771-8992/006-707	1
8 m	771-8992/006-803	771-8992/006-805	771-8992/006-807	1

Connecting cable ▶ Socket - free end ▶ Strip length (outer insulation): 35 mm				
Total length	Connector color / Strain relief color			PU
	gray / black	light green / black	pink / black	
1 m	771-8992/106-103	771-8992/106-105	771-8992/106-107	1
2 m	771-8992/106-203	771-8992/106-205	771-8992/106-207	1
3 m	771-8992/106-303	771-8992/106-305	771-8992/106-307	1
4 m	771-8992/106-403	771-8992/106-405	771-8992/106-407	1
5 m	771-8992/106-503	771-8992/106-505	771-8992/106-507	1
6 m	771-8992/106-603	771-8992/106-605	771-8992/106-607	1
7 m	771-8992/106-703	771-8992/106-705	771-8992/106-707	1
8 m	771-8992/106-803	771-8992/106-805	771-8992/106-807	1

Connecting cable ▶ Plug - free end ▶ Strip length (outer insulation): 35 mm				
Total length	Connector color / Strain relief color			PU
	gray / black	light green / black	pink / black	
1 m	771-8992/206-103	771-8992/206-105	771-8992/206-107	1
2 m	771-8992/206-203	771-8992/206-205	771-8992/206-207	1
3 m	771-8992/206-303	771-8992/206-305	771-8992/206-307	1
4 m	771-8992/206-403	771-8992/206-405	771-8992/206-407	1
5 m	771-8992/206-503	771-8992/206-505	771-8992/206-507	1
6 m	771-8992/206-603	771-8992/206-605	771-8992/206-607	1
7 m	771-8992/206-703	771-8992/206-705	771-8992/206-707	1
8 m	771-8992/206-803	771-8992/206-805	771-8992/206-807	1

Accessories; for all products on this page



Locking lever; for flying leads; manually operated



Locking lever; for flying leads; tool operated



Mounting carrier; for flying leads; 2- to 5-pole

Color	Item no.	PU (SPU)
● black	770-101	100 (25)
○ white	770-121	100 (25)

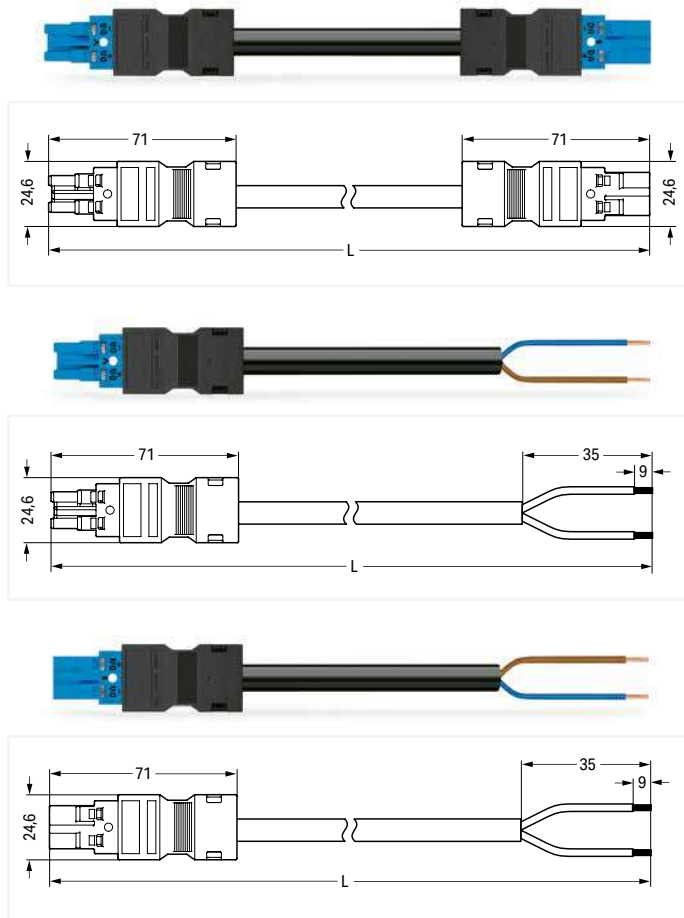
Color	Item no.	PU (SPU)
● black	770-111	100 (25)
○ white	770-131	100 (25)

Color	Item no.	PU
● black	770-310	25

PU = packaging unit; SPU = subpackaging unit; Dimensions in mm

Cable assembly ▶ WINSTA® MIDI ▶ 771 Series

Pole number: 2 ▶ Protection type: IP20 ▶ Fire class per EN 50575: E_{ca} ▶ Coding: I ▶ 1.5 mm² ▶ Marking: DA+ DA- ▶ PVC ▶ Sheathed cable diameter: 6.8 ... 8.6 mm ▶ H05VV-F 2x1.5 ▶ DALI, Lighting Management



Interconnecting cable ▶ Socket - Plug

Total length	Connector color / Strain relief color		PU
	blue / black	blue / white	
1 m	771-8982/006-101	771-8982/006-102	1
2 m	771-8982/006-201	771-8982/006-202	1
3 m	771-8982/006-301	771-8982/006-302	1
4 m	771-8982/006-401	771-8982/006-402	1
5 m	771-8982/006-501	771-8982/006-502	1
6 m	771-8982/006-601	771-8982/006-602	1
7 m	771-8982/006-701	771-8982/006-702	1
8 m	771-8982/006-801	771-8982/006-802	1

Connecting cable ▶ Socket - free end ▶ Strip length (outer insulation): 35 mm




Total length	Connector color / Strain relief color		PU
	blue / black	blue / white	
1 m	771-8982/106-101	771-8982/106-102	1
2 m	771-8982/106-201	771-8982/106-202	1
3 m	771-8982/106-301	771-8982/106-302	1
4 m	771-8982/106-401	771-8982/106-402	1
5 m	771-8982/106-501	771-8982/106-502	1
6 m	771-8982/106-601	771-8982/106-602	1
7 m	771-8982/106-701	771-8982/106-702	1
8 m	771-8982/106-801	771-8982/106-802	1

Connecting cable ▶ Plug - free end ▶ Strip length (outer insulation): 35 mm

Total length	Connector color / Strain relief color		PU
	blue / black	blue / white	
1 m	771-8982/206-101	771-8982/206-102	1
2 m	771-8982/206-201	771-8982/206-202	1
3 m	771-8982/206-301	771-8982/206-302	1
4 m	771-8982/206-401	771-8982/206-402	1
5 m	771-8982/206-501	771-8982/206-502	1
6 m	771-8982/206-601	771-8982/206-602	1
7 m	771-8982/206-701	771-8982/206-702	1
8 m	771-8982/206-801	771-8982/206-802	1



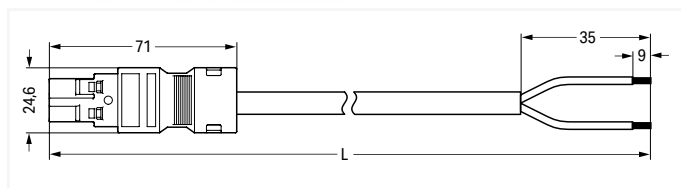
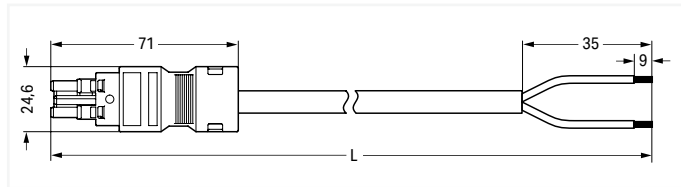
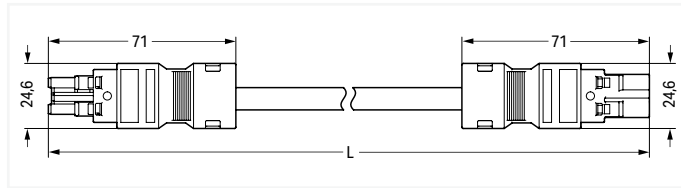
Accessories; for all products on this page

 Locking lever; for flying leads; manually operated			 Locking lever; for flying leads; tool operated			 Mounting carrier; for flying leads; 2- to 5-pole		
Color	Item no.	PU (SPU)	Color	Item no.	PU (SPU)	Color	Item no.	PU
● black	770-101	100 (25)	● black	770-111	100 (25)	● black	770-310	25
○ white	770-121	100 (25)	○ white	770-131	100 (25)			

PU = packaging unit; SPU = subpackaging unit; Dimensions in mm

Cable assembly ▶ WINSTA® MIDI ▶ 771 Series

Pole number: 2 ▶ Protection type: IP20 ▶ Fire class per EN 50575: E_{ca} ▶ Coding: I ▶ 1.5 mm² ▶ Marking: DA+ DA- ▶ Halogen-free ▶ Sheathed cable diameter: 6.8 ... 8.6 mm ▶ H05Z1Z1-F 2x1.5 ▶ DALI, Lighting Management



Interconnecting cable ▶ Socket - Plug

Total length	Connector color / Strain relief color		PU
	blue / black	blue / white	
1 m	771-8982/016-101	771-8982/016-102	1
2 m	771-8982/016-201	771-8982/016-202	1
3 m	771-8982/016-301	771-8982/016-302	1
4 m	771-8982/016-401	771-8982/016-402	1
5 m	771-8982/016-501	771-8982/016-502	1
6 m	771-8982/016-601	771-8982/016-602	1
7 m	771-8982/016-701	771-8982/016-702	1
8 m	771-8982/016-801	771-8982/016-802	1

Connecting cable ▶ Socket - free end ▶ Strip length (outer insulation): 35 mm

Total length	Connector color / Strain relief color		PU
	blue / black	blue / white	
1 m	771-8982/116-101	771-8982/116-102	1
2 m	771-8982/116-201	771-8982/116-202	1
3 m	771-8982/116-301	771-8982/116-302	1
4 m	771-8982/116-401	771-8982/116-402	1
5 m	771-8982/116-501	771-8982/116-502	1
6 m	771-8982/116-601	771-8982/116-602	1
7 m	771-8982/116-701	771-8982/116-702	1
8 m	771-8982/116-801	771-8982/116-802	1

Connecting cable ▶ Plug - free end ▶ Strip length (outer insulation): 35 mm

Total length	Connector color / Strain relief color		PU
	blue / black	blue / white	
1 m	771-8982/216-101	771-8982/216-102	1
2 m	771-8982/216-201	771-8982/216-202	1
3 m	771-8982/216-301	771-8982/216-302	1
4 m	771-8982/216-401	771-8982/216-402	1
5 m	771-8982/216-501	771-8982/216-502	1
6 m	771-8982/216-601	771-8982/216-602	1
7 m	771-8982/216-701	771-8982/216-702	1
8 m	771-8982/216-801	771-8982/216-802	1

Accessories; for all products on this page



Locking lever; for flying leads; manually operated



Locking lever; for flying leads; tool operated



Mounting carrier; for flying leads; 2- to 5-pole

Color	Item no.	PU (SPU)
● black	770-101	100 (25)
○ white	770-121	100 (25)

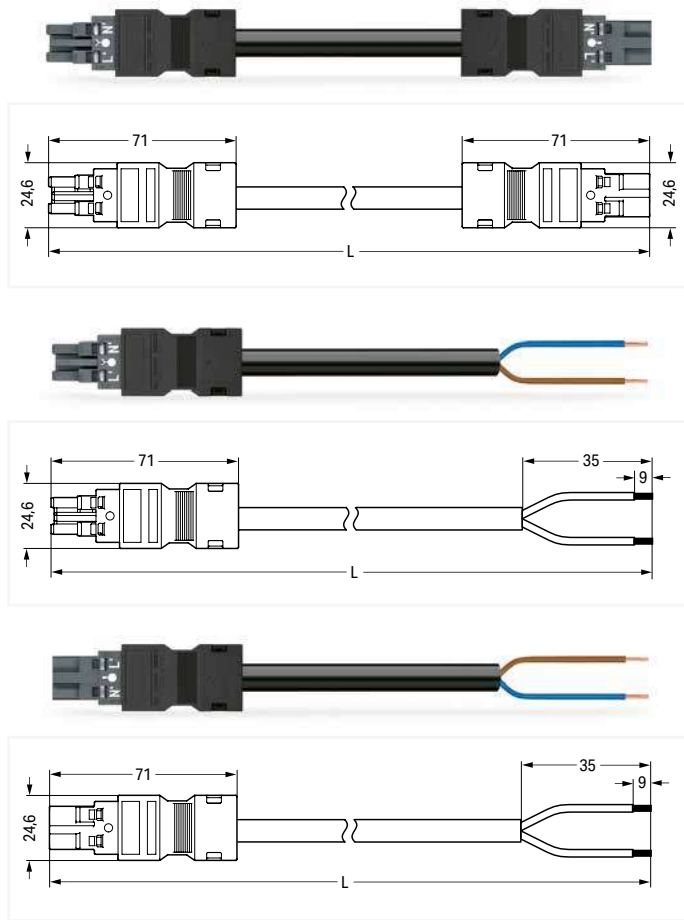
Color	Item no.	PU (SPU)
● black	770-111	100 (25)
○ white	770-131	100 (25)

Color	Item no.	PU
● black	770-310	25

PU = packaging unit; SPU = subpackaging unit; Dimensions in mm

Cable assembly ▶ WINSTA® MIDI ▶ 771 Series

Pole number: 2 ▶ Protection type: IP20 ▶ Fire class per EN 50575: E_{ca} ▶ Coding: L ▶ 1.5 mm² ▶ Marking: L' N' ▶ PVC ▶ Sheathed cable diameter: 6.8 ... 8.6 mm ▶ H05VV-F 2x1.5 ▶ Emergency power supply



Interconnecting cable ▶ Socket - Plug

Total length	Connector color / Strain relief color		PU
	dark gray / black	dark gray / white	
1 m	771-8982/006-103	771-8982/006-104	1
2 m	771-8982/006-203	771-8982/006-204	1
3 m	771-8982/006-303	771-8982/006-304	1
4 m	771-8982/006-403	771-8982/006-404	1
5 m	771-8982/006-503	771-8982/006-504	1
6 m	771-8982/006-603	771-8982/006-604	1
7 m	771-8982/006-703	771-8982/006-704	1
8 m	771-8982/006-803	771-8982/006-804	1

Connecting cable ▶ Socket - free end ▶ Strip length (outer insulation): 35 mm




Total length	Connector color / Strain relief color		PU
	dark gray / black	dark gray / white	
1 m	771-8982/106-103	771-8982/106-104	1
2 m	771-8982/106-203	771-8982/106-204	1
3 m	771-8982/106-303	771-8982/106-304	1
4 m	771-8982/106-403	771-8982/106-404	1
5 m	771-8982/106-503	771-8982/106-504	1
6 m	771-8982/106-603	771-8982/106-604	1
7 m	771-8982/106-703	771-8982/106-704	1
8 m	771-8982/106-803	771-8982/106-804	1

Connecting cable ▶ Plug - free end ▶ Strip length (outer insulation): 35 mm

Total length	Connector color / Strain relief color		PU
	dark gray / black	dark gray / white	
1 m	771-8982/206-103	771-8982/206-104	1
2 m	771-8982/206-203	771-8982/206-204	1
3 m	771-8982/206-303	771-8982/206-304	1
4 m	771-8982/206-403	771-8982/206-404	1
5 m	771-8982/206-503	771-8982/206-504	1
6 m	771-8982/206-603	771-8982/206-604	1
7 m	771-8982/206-703	771-8982/206-704	1
8 m	771-8982/206-803	771-8982/206-804	1

2

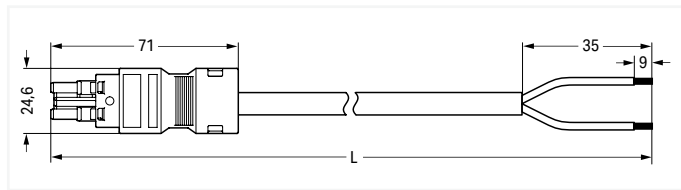
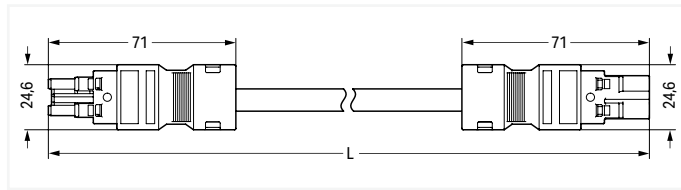
Accessories; for all products on this page

 Locking lever; for flying leads; manually operated			 Locking lever; for flying leads; tool operated			 Mounting carrier; for flying leads; 2- to 5-pole		
Color	Item no.	PU (SPU)	Color	Item no.	PU (SPU)	Color	Item no.	PU
● black	770-101	100 (25)	● black	770-111	100 (25)	● black	770-310	25
○ white	770-121	100 (25)	○ white	770-131	100 (25)			

PU = packaging unit; SPU = subpackaging unit; Dimensions in mm

Cable assembly ▶ WINSTA® MIDI ▶ 771 Series

Pole number: 2 ▶ Protection type: IP20 ▶ Fire class per EN 50575: E_{ca} ▶ Coding: L ▶ 1.5 mm² ▶ Marking: L' N' ▶ Halogen-free ▶ Sheathed cable diameter: 6.8 ... 8.6 mm ▶ H05Z1Z1-F 2x1.5 ▶ Emergency power supply



Interconnecting cable ▶ Socket - Plug			
Total length	Connector color / Strain relief color		PU
	dark gray / black	dark gray / white	
1 m	771-8982/016-103	771-8982/016-104	1
2 m	771-8982/016-203	771-8982/016-204	1
3 m	771-8982/016-303	771-8982/016-304	1
4 m	771-8982/016-403	771-8982/016-404	1
5 m	771-8982/016-503	771-8982/016-504	1
6 m	771-8982/016-603	771-8982/016-604	1
7 m	771-8982/016-703	771-8982/016-704	1
8 m	771-8982/016-803	771-8982/016-804	1

Connecting cable ▶ Socket - free end ▶ Strip length (outer insulation): 35 mm			
Total length	Connector color / Strain relief color		PU
	dark gray / black	dark gray / white	
1 m	771-8982/116-103	771-8982/116-104	1
2 m	771-8982/116-203	771-8982/116-204	1
3 m	771-8982/116-303	771-8982/116-304	1
4 m	771-8982/116-403	771-8982/116-404	1
5 m	771-8982/116-503	771-8982/116-504	1
6 m	771-8982/116-603	771-8982/116-604	1
7 m	771-8982/116-703	771-8982/116-704	1
8 m	771-8982/116-803	771-8982/116-804	1

Connecting cable ▶ Plug - free end ▶ Strip length (outer insulation): 35 mm			
Total length	Connector color / Strain relief color		PU
	dark gray / black	dark gray / white	
1 m	771-8982/216-103	771-8982/216-104	1
2 m	771-8982/216-203	771-8982/216-204	1
3 m	771-8982/216-303	771-8982/216-304	1
4 m	771-8982/216-403	771-8982/216-404	1
5 m	771-8982/216-503	771-8982/216-504	1
6 m	771-8982/216-603	771-8982/216-604	1
7 m	771-8982/216-703	771-8982/216-704	1
8 m	771-8982/216-803	771-8982/216-804	1

Accessories; for all products on this page



Locking lever; for flying leads; manually operated



Locking lever; for flying leads; tool operated



Mounting carrier; for flying leads; 2- to 5-pole

Color	Item no.	PU (SPU)
● black	770-101	100 (25)
○ white	770-121	100 (25)

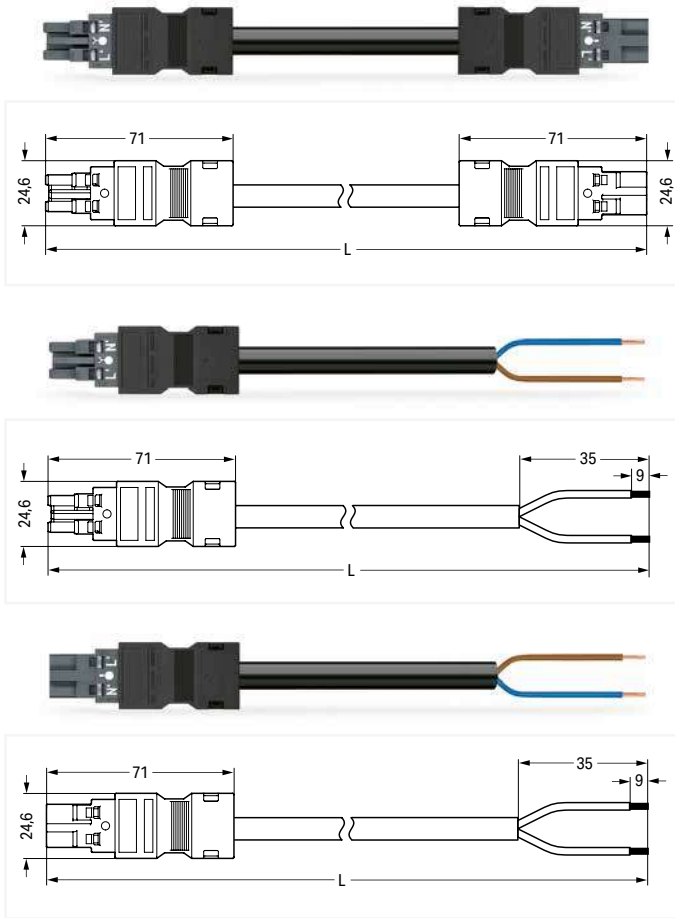
Color	Item no.	PU (SPU)
● black	770-111	100 (25)
○ white	770-131	100 (25)

Color	Item no.	PU
● black	770-310	25

PU = packaging unit; SPU = subpackaging unit; Dimensions in mm

Cable assembly ▶ WINSTA® MIDI ▶ 771 Series

Pole number: 2 ▶ Protection type: IP20 ▶ Fire class per EN 50575: E_{ca} ▶ Coding: L ▶ 2.5 mm² ▶ Marking: L' N' ▶ PVC ▶ Sheathed cable diameter: 8.4 ... 10.6 mm ▶ H05VV-F 2x2.5 ▶ Emergency power supply



Interconnecting cable ▶ Socket - Plug

Total length	Connector color / Strain relief color		PU
	dark gray / black	dark gray / white	
1 m	771-8982/007-103	771-8982/007-104	1
2 m	771-8982/007-203	771-8982/007-204	1
3 m	771-8982/007-303	771-8982/007-304	1
4 m	771-8982/007-403	771-8982/007-404	1
5 m	771-8982/007-503	771-8982/007-504	1
6 m	771-8982/007-603	771-8982/007-604	1
7 m	771-8982/007-703	771-8982/007-704	1
8 m	771-8982/007-803	771-8982/007-804	1

Connecting cable ▶ Socket - free end ▶ Strip length (outer insulation): 35 mm




Total length	Connector color / Strain relief color		PU
	dark gray / black	dark gray / white	
1 m	771-8982/107-103	771-8982/107-104	1
2 m	771-8982/107-203	771-8982/107-204	1
3 m	771-8982/107-303	771-8982/107-304	1
4 m	771-8982/107-403	771-8982/107-404	1
5 m	771-8982/107-503	771-8982/107-504	1
6 m	771-8982/107-603	771-8982/107-604	1
7 m	771-8982/107-703	771-8982/107-704	1
8 m	771-8982/107-803	771-8982/107-804	1

Connecting cable ▶ Plug - free end ▶ Strip length (outer insulation): 35 mm

Total length	Connector color / Strain relief color		PU
	dark gray / black	dark gray / white	
1 m	771-8982/207-103	771-8982/207-104	1
2 m	771-8982/207-203	771-8982/207-204	1
3 m	771-8982/207-303	771-8982/207-304	1
4 m	771-8982/207-403	771-8982/207-404	1
5 m	771-8982/207-503	771-8982/207-504	1
6 m	771-8982/207-603	771-8982/207-604	1
7 m	771-8982/207-703	771-8982/207-704	1
8 m	771-8982/207-803	771-8982/207-804	1

2

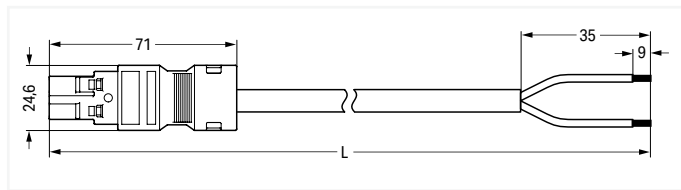
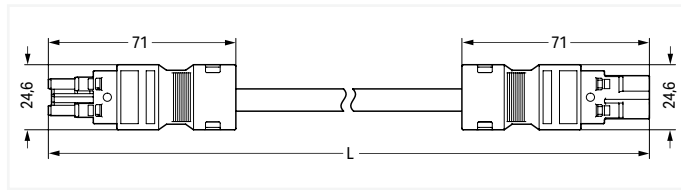
Accessories; for all products on this page

 Locking lever; for flying leads; manually operated			 Locking lever; for flying leads; tool operated			 Mounting carrier; for flying leads; 2- to 5-pole		
Color	Item no.	PU (SPU)	Color	Item no.	PU (SPU)	Color	Item no.	PU
● black	770-101	100 (25)	● black	770-111	100 (25)	● black	770-310	25
○ white	770-121	100 (25)	○ white	770-131	100 (25)			

PU = packaging unit; SPU = subpackaging unit; Dimensions in mm

Cable assembly ▶ WINSTA® MIDI ▶ 771 Series

Pole number: 2 ▶ Protection type: IP20 ▶ Fire class per EN 50575: E_{ca} ▶ Coding: L ▶ 2.5 mm² ▶ Marking: L' N' ▶ Halogen-free ▶ Sheathed cable diameter: 8.4 ... 10.6 mm ▶ H05Z1Z1-F 2x2.5 ▶ Emergency power supply



Interconnecting cable ▶ Socket - Plug

Total length	Connector color / Strain relief color		PU
	dark gray / black	dark gray / white	
1 m	771-8982/017-103	771-8982/017-104	1
2 m	771-8982/017-203	771-8982/017-204	1
3 m	771-8982/017-303	771-8982/017-304	1
4 m	771-8982/017-403	771-8982/017-404	1
5 m	771-8982/017-503	771-8982/017-504	1
6 m	771-8982/017-603	771-8982/017-604	1
7 m	771-8982/017-703	771-8982/017-704	1
8 m	771-8982/017-803	771-8982/017-804	1

Connecting cable ▶ Socket - free end ▶ Strip length (outer insulation): 35 mm

Total length	Connector color / Strain relief color		PU
	dark gray / black	dark gray / white	
1 m	771-8982/117-103	771-8982/117-104	1
2 m	771-8982/117-203	771-8982/117-204	1
3 m	771-8982/117-303	771-8982/117-304	1
4 m	771-8982/117-403	771-8982/117-404	1
5 m	771-8982/117-503	771-8982/117-504	1
6 m	771-8982/117-603	771-8982/117-604	1
7 m	771-8982/117-703	771-8982/117-704	1
8 m	771-8982/117-803	771-8982/117-804	1

Connecting cable ▶ Plug - free end ▶ Strip length (outer insulation): 35 mm

Total length	Connector color / Strain relief color		PU
	dark gray / black	dark gray / white	
1 m	771-8982/217-103	771-8982/217-104	1
2 m	771-8982/217-203	771-8982/217-204	1
3 m	771-8982/217-303	771-8982/217-304	1
4 m	771-8982/217-403	771-8982/217-404	1
5 m	771-8982/217-503	771-8982/217-504	1
6 m	771-8982/217-603	771-8982/217-604	1
7 m	771-8982/217-703	771-8982/217-704	1
8 m	771-8982/217-803	771-8982/217-804	1

Accessories; for all products on this page



Locking lever; for flying leads; manually operated



Locking lever; for flying leads; tool operated



Mounting carrier; for flying leads; 2- to 5-pole

Color	Item no.	PU (SPU)
● black	770-101	100 (25)
○ white	770-121	100 (25)

Color	Item no.	PU (SPU)
● black	770-111	100 (25)
○ white	770-131	100 (25)

Color	Item no.	PU
● black	770-310	25

PU = packaging unit; SPU = subpackaging unit; Dimensions in mm

2

Pluggable connectors ▶ WINSTA® MIDI ▶ 770 Series

Pole number: 3 ▶ Number of connection points: 2



- Protected against mismatching and maintenance-free
- Push-in CAGE CLAMP® spring pressure connection technology allows solid conductors to be simply pushed into a unit.
- Two wire connections per pole for loops or bridges
- Additional variable coding is possible.

Electrical data			
Coding	A; B; P; R; S		
Ratings per	IEC/EN 60664-1		
Overvoltage category	III	III	II
Pollution degree	3	2	2
Nominal voltage	250 V	-	-
Rated surge voltage	4 kV	-	-
Rated current	25 A	-	-
Approvals per	UL 1977		
Rated voltage	600 V		
Rated current	23 A		

Connection data	
Connection technology	Push-in CAGE CLAMP®
Strip length	9 mm / 0.35 inches
Nominal cross-section	4 mm ² / 12 AWG
Solid conductor	0.5 ... 4 mm ² / 20 ... 12 AWG
Solid conductor; push-in termination	1.5 ... 4 mm ² / 16 ... 12 AWG
Stranded conductor	0.5 ... 2.5 mm ² / 20 ... 14 AWG
Fine-stranded conductor	0.5 ... 4 mm ² / 20 ... 12 AWG
Fine-stranded conductor; with insulated ferrule	0.25 ... 1.5 mm ² / 20 ... 16 AWG
Fine-stranded conductor; with uninsulated ferrule	0.25 ... 2.5 mm ² / 20 ... 14 AWG
Fine-stranded conductor; with ferrule; push-in termination	1.5 mm ² / 16 AWG

Material Data	
Insulation material	Polyamide (PA66)
Clamping spring material	Chrome-nickel spring steel (CrNi)
Contact material	Copper or copper alloy; surface-treated
Contact plating	Tin

Mechanical Data	
Number of mating cycles	200, without resistive load
Mating force of a plug-in connection	approx. 20 ... 70 N (depending on pole number)
Unmating force of a plug-in connection	Unlocked: approx. 20 ... 70 N (depending on pole number)
Retention force of a plug-in connection	Locked: > 80 N

Environmental requirements	
Processing temperature	-5 ... +40 °C
Continuous operating temperature	-35 ... +85 °C
Note on continuous operating temperature	Insulating parts for temperatures ≤ 105 °C

All WINSTA® components are 100% protected against mismatching when:

- plugging different numbers of poles
- plugging while rotated 180
- plugging while laterally staggered
- plugging one pole

All connectors for mounted installations (snap-in versions for lighting fixtures or devices, all types of PCB and distribution connectors) are factory-equipped with locking levers to ensure plugs and sockets are securely locked. Additional locking levers are only required for flying leads (plug/socket).

Coding	Page 371
Installation	Page 382
Marking	Page 397
Shield termination	Page 375
Strain relief	Page 376
Tool	Page 392
See technical section for further information	
Approvals and corresponding ratings, visit www.wago.com	

Pluggable connectors ▶ WINSTA® MIDI ▶ 770 Series

Pole number: 3 ▶ Number of connection points: 2

Strain relief house, for quick assembly ▶ Female connector/socket ▶ Strip length (outer insulation): 48 mm ▶ Connectable sheathed cable diameter : 7 ... 11.5 mm

Strain relief house, for quick assembly ▶ Male connector/plug ▶ Strip length (outer insulation): 48 mm ▶ Connectable sheathed cable diameter : 7 ... 11.5 mm



770-203/035-000

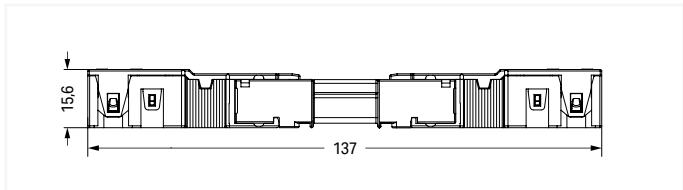
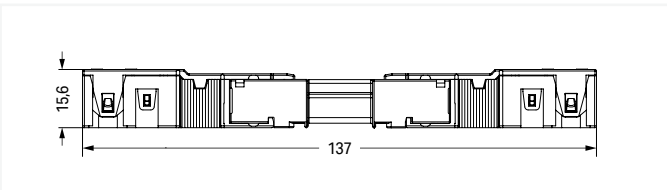
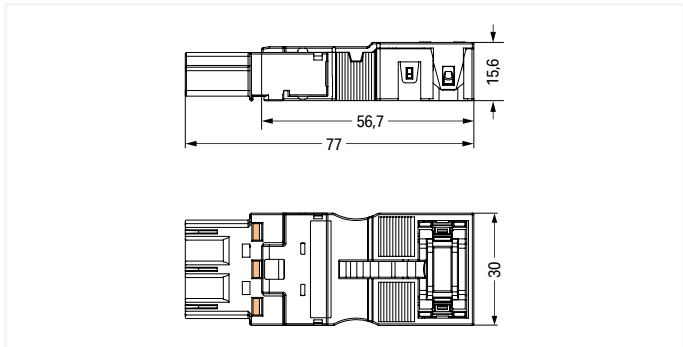
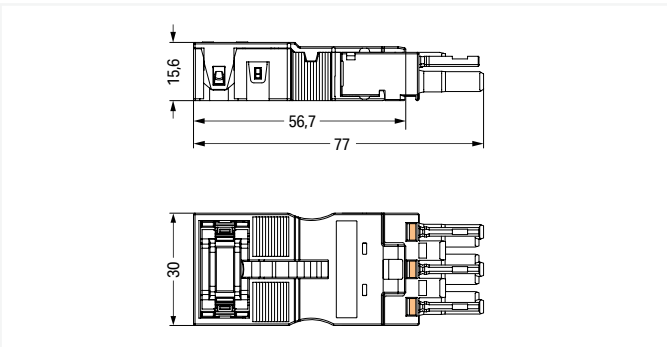
770-213/035-000

General mains applications

Color	Coding	Marking	Item no.	PU
● black	A	L ⊕ N	770-203/035-000	25
○ white	A	L ⊕ N	770-223/035-050	25

General mains applications

Color	Coding	Marking	Item no.	PU
● black	A	N ⊕ L	770-213/035-000	25
○ white	A	N ⊕ L	770-233/035-050	25



Overall length when mated

Overall length when mated

Item-Specific Accessories

Item-Specific Accessories



Lockout cap; for socket; separable; Pole number: 12

Color	Item no.	PU
● black	770-201	100
○ white	770-221	100



Lockout cap; for plugs; separable; Pole number: 5

Color	Item no.	PU
● yellow	770-360	100

Accessories; for all products on this page



Locking lever; for flying leads; manually operated

Color	Item no.	PU (SPU)
● black	770-101	100 (25)
○ white	770-121	100 (25)



Locking lever; for flying leads; tool operated

Color	Item no.	PU (SPU)
● black	770-111	100 (25)
○ white	770-131	100 (25)



Operating tool; for WAGO WINSTA® MIDI Connectors; Pole number: 3

Color	Item no.	PU (SPU)
● green	770-383	50 (1)

PU = packaging unit; SPU = subpackaging unit; Dimensions in mm

Pluggable connectors ▶ WINSTA® MIDI ▶ 770 Series

Pole number: 3 ▶ Number of connection points: 2

Strain relief housing ▶ Female connector/socket ▶ Strip length (outer insulation): 55 mm
▶ Connectable sheathed cable diameter : 8 ... 11.5 mm ▶ Protection type: IP2XC

Strain relief housing ▶ Male connector/plug ▶ Strip length (outer insulation): 55 mm ▶
Connectable sheathed cable diameter : 8 ... 11.5 mm ▶ Protection type: IP20



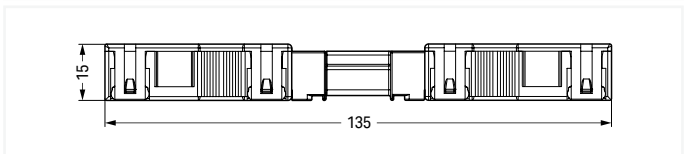
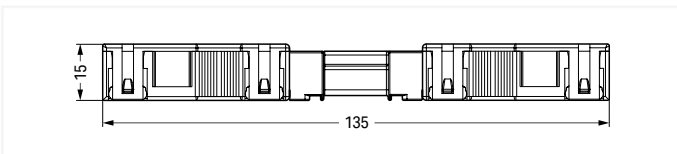
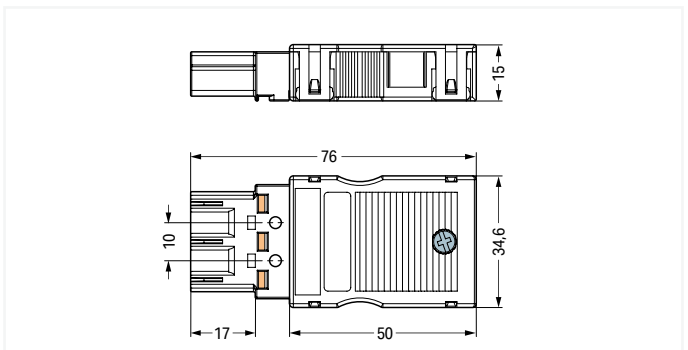
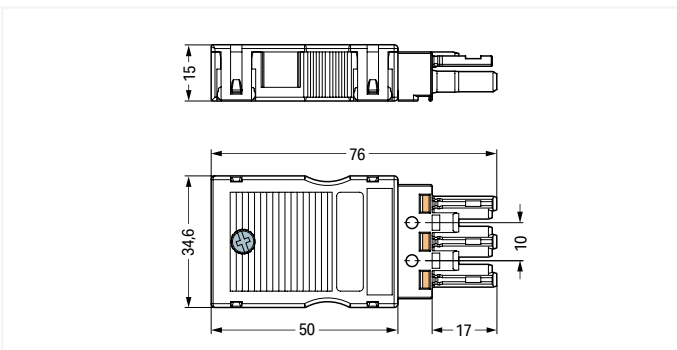
2

770-103

770-113

General mains applications				
Color	Coding	Marking	Item no.	PU
● black	A	L ⊕ N	770-103	25
○ white	A	L ⊕ N	770-123	25

General mains applications				
Color	Coding	Marking	Item no.	PU
● black	A	N ⊕ L	770-113	25
○ white	A	N ⊕ L	770-133	25



Overall length when mated

Overall length when mated

Item-Specific Accessories

Item-Specific Accessories



Lockout cap; for socket; separable;
Pole number: 12



Lockout cap; for plugs; separable; Pole
number: 5

Color	Item no.	PU
● black	770-201	100
○ white	770-221	100

Color	Item no.	PU
● yellow	770-360	100

Accessories; for all products on this page



Locking lever; for flying leads; manually
operated



Locking lever; for flying leads; tool
operated



Operating tool; for WAGO WINSTA®
MIDI Connectors; Pole number: 3

Color	Item no.	PU (SPU)
● black	770-101	100 (25)
○ white	770-121	100 (25)

Color	Item no.	PU (SPU)
● black	770-111	100 (25)
○ white	770-131	100 (25)

Color	Item no.	PU (SPU)
● green	770-383	50 (1)

PU = packaging unit; SPU = subpackaging unit; Dimensions in mm

Pluggable connectors ▶ WINSTA® MIDI ▶ 770 Series

Pole number: 3 ▶ Number of connection points: 2

Female connector/socket ▶ Protection type: IP20



770-203

General mains applications

Color	Coding	Marking	Item no.	PU
● black	A	L ⊕ N	770-203	100
○ white	A	L ⊕ N	770-223	100

Control technology

Color	Coding	Marking	Item no.	PU
○ gray	B	1 2 3	770-243	100
○ gray	B	L ⊕ N	770-243/060-000	100
○ gray	B	2 PE 1	770-243/062-000	100
○ gray	B	1 2 5	770-243/081-000	100
● light green	B	1 2 3	770-263	100
● light green	B	U+ X/Y U-	770-263/071-000	100
● light green	B	1 ⊕ 2	770-263/073-000	100
● pink	B	1 2 3	770-283	100
● pink	B	1 2 5	770-283/081-000	100
● pink	B	+ S -	770-283/082-000	100

EDV (UPS)

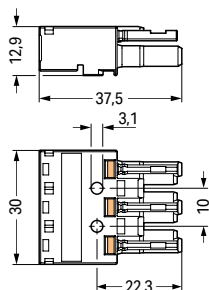
Color	Coding	Marking	Item no.	PU
● red	P	L ⊕ N	770-1303	100

LON bus

Color	Coding	Marking	Item no.	PU
● orange	R	LON LON S	770-1343	100

Switching function

Color	Coding	Marking	Item no.	PU
● brown	S	1 2 L	770-1363	100



Accessories; for all products on this page

Locking lever; for flying leads; manually operated		
Color	Item no.	PU (SPU)
● black	770-101	100 (25)
○ white	770-121	100 (25)

Locking lever; for flying leads; tool operated		
Color	Item no.	PU (SPU)
● black	770-111	100 (25)
○ white	770-131	100 (25)

Lockout cap; for socket; separable; Pole number: 12		
Color	Item no.	PU
● black	770-201	100
○ white	770-221	100

Operating tool; for WAGO WINSTA® MIDI Connectors; Pole number: 3		
Color	Item no.	PU (SPU)
● green	770-383	50 (1)

Strain relief housing; Connectable sheathed cable diameter: 8 ... 11.5 mm; Strip length (outer insulation): 55 mm		
Color	Item no.	PU
● black	770-503	50
○ white	770-513	50

PU = packaging unit; SPU = subpackaging unit; Dimensions in mm

Pluggable connectors ▶ WINSTA® MIDI ▶ 770 Series

Pole number: 3 ▶ Number of connection points: 2

Male connector/plug ▶ Protection type: IP20



2

770-213

General mains applications

Color	Coding	Marking	Item no.	PU
● black	A	N ⊕ L	770-213	100
○ white	A	N ⊕ L	770-233	100

Control technology

Color	Coding	Marking	Item no.	PU
○ gray	B	3 2 1	770-253	100
○ gray	B	N ⊕ L	770-253/060-000	100
○ gray	B	1 PE 2	770-253/062-000	100
○ gray	B	5 2 1	770-253/081-000	100
● light green	B	3 2 1	770-273	100
● light green	B	U- X/Y U+	770-273/071-000	100
● light green	B	2 ⊕ 1	770-273/073-000	100
● pink	B	3 2 1	770-293	100
● pink	B	5 2 1	770-293/081-000	100
● pink	B	- S +	770-293/082-000	100

EDV (UPS)

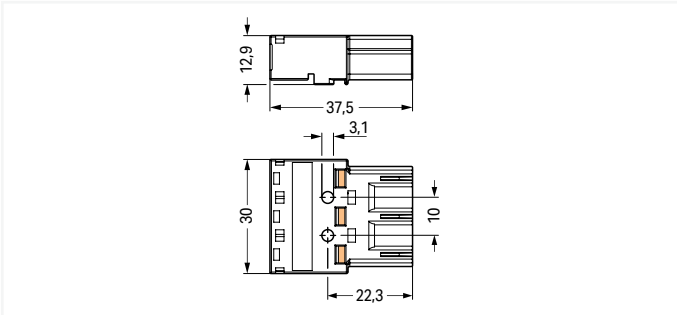
Color	Coding	Marking	Item no.	PU
● red	P	N ⊕ L	770-1313	100

LON bus


Color	Coding	Marking	Item no.	PU
● orange	R	S LON LON	770-1353	100

Switching function


Color	Coding	Marking	Item no.	PU
● brown	S	L 2 1	770-1373	100




Accessories; for all products on this page

 Locking lever; for flying leads; manually operated


Color	Item no.	PU (SPU)
● black	770-101	100 (25)
○ white	770-121	100 (25)

 Locking lever; for flying leads; tool operated


Color	Item no.	PU (SPU)
● black	770-111	100 (25)
○ white	770-131	100 (25)

 Lockout cap; for plugs; separable; Pole number: 5

Color	Item no.	PU
● yellow	770-360	100

 Operating tool; for WAGO WINSTA® MIDI Connectors; Pole number: 3

Color	Item no.	PU (SPU)
● green	770-383	50 (1)

 Strain relief housing; Connectable sheathed cable diameter: 8 ... 11.5 mm; Strip length (outer insulation): 55 mm

Color	Item no.	PU
● black	770-503	50
○ white	770-513	50

PU = packaging unit; SPU = subpackaging unit; Dimensions in mm

Pluggable connectors ► WINSTA® MIDI ► 770 Series

Pole number: 3 ► Number of connection points: 2

with direct ground contact ► Male connector/plug ► Protection type: IP20

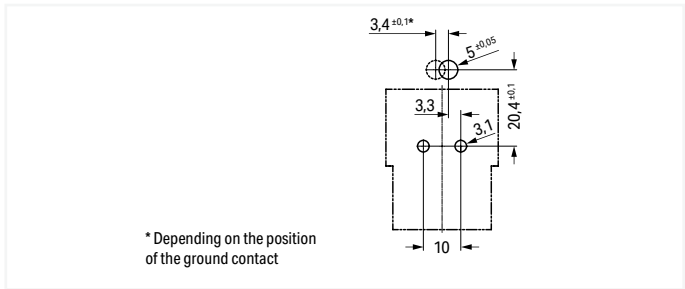
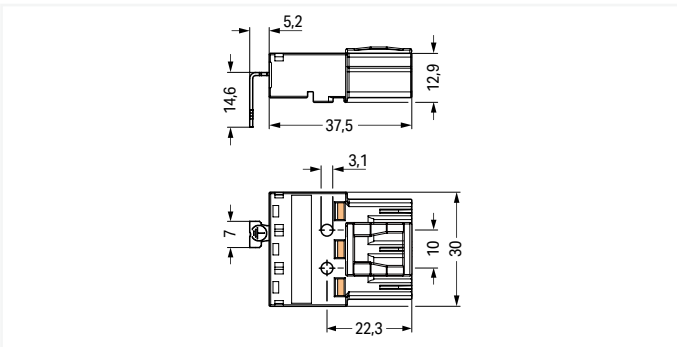


770-213/002-000

2

General mains applications

Color	Coding	Marking	Item no.	PU
● black	A	N ⊕ L	770-213/002-000	100
○ white	A	N ⊕ L	770-233/002-000	100



Accessories; for all products on this page



Locking lever; for flying leads; manually operated



Locking lever; for flying leads; tool operated



Lockout cap; for plugs; separable; Pole number: 5

Color	Item no.	PU (SPU)
● black	770-101	100 (25)
○ white	770-121	100 (25)

Color	Item no.	PU (SPU)
● black	770-111	100 (25)
○ white	770-131	100 (25)

Color	Item no.	PU
● yellow	770-360	100

PU = packaging unit; SPU = subpackaging unit; Dimensions in mm

Snap-in device connector ▶ WINSTA® MIDI ▶ 770 Series

Pole number: 3 ▶ Number of connection points: 2 ▶ Protection type: IP20



- Protected against mismatching and maintenance-free
- Push-in CAGE CLAMP® spring pressure connection technology allows solid conductors to be simply pushed into a unit.
- Two wire connections per pole for loops or bridges
- Additional variable coding is possible.

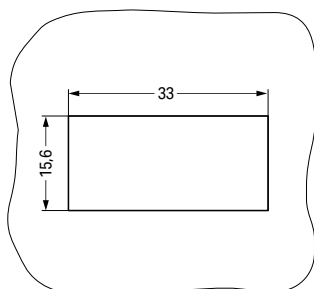


Plate thickness: 0.5 ... 2 mm
Cutout tolerance: + 0.1 mm

Electrical data			
Coding	A; B; P; R; S		
Ratings per	IEC/EN 60664-1		
Overvoltage category	III	III	II
Pollution degree	3	2	2
Nominal voltage	250 V	-	-
Rated surge voltage	4 kV	-	-
Rated current	25 A	-	-
Approvals per	UL 1977		
Rated voltage	600 V		
Rated current	23 A		

Connection data	
Connection technology	Push-in CAGE CLAMP®
Strip length	9 mm / 0.35 inches
Nominal cross-section	4 mm ² / 12 AWG
Solid conductor	0.5 ... 4 mm ² / 20 ... 12 AWG
Solid conductor; push-in termination	1.5 ... 4 mm ² / 16 ... 12 AWG
Stranded conductor	0.5 ... 2.5 mm ² / 20 ... 14 AWG
Fine-stranded conductor	0.5 ... 4 mm ² / 20 ... 12 AWG
Fine-stranded conductor; with insulated ferrule	0.25 ... 1.5 mm ² / 20 ... 16 AWG
Fine-stranded conductor; with uninsulated ferrule	0.25 ... 2.5 mm ² / 20 ... 14 AWG
Fine-stranded conductor; with ferrule; push-in termination	1.5 mm ² / 16 AWG

Material Data	
Insulation material	Polyamide (PA66)
Flammability class per UL94	V0
Clamping spring material	Chrome-nickel spring steel (CrNi)
Contact material	Copper or copper alloy; surface-treated
Contact plating	Tin

Mechanical Data	
Number of mating cycles	200, without resistive load
Mating force of a plug-in connection	approx. 20 ... 70 N (depending on pole number)
Unmating force of a plug-in connection	Unlocked: approx. 20 ... 70 N (depending on pole number)
Retention force of a plug-in connection	Locked: > 80 N
Protection type	IP20
Note on protection type	When mated: IP20xC (These compact connectors are not designed for use in open, easily accessible areas!)

Environmental requirements	
Processing temperature	-5 ... +40 °C
Continuous operating temperature	-35 ... +85 °C
Note on continuous operating temperature	Insulating parts for temperatures ≤ 105 °C

All WINSTA® components are 100% protected against mismatching when:

- plugging different numbers of poles
- plugging while rotated 180
- plugging while laterally staggered
- plugging one pole

All connectors for mounted installations (snap-in versions for lighting fixtures or devices, all types of PCB and distribution connectors) are factory-equipped with locking levers to ensure plugs and sockets are securely locked. Additional locking levers are only required for flying leads (plug/socket).

Coding Page 371

Locking system Page 371

Tool Page 392

See technical section for further information

Approvals and corresponding ratings, visit www.wago.com

Snap-in device connector ▶ WINSTA® MIDI ▶ 770 Series

Pole number: 3 ▶ Number of connection points: 2 ▶ Protection type: IP20

Female connector/socket



770-703

General mains applications

Color	Coding	Marking	Item no.	PU
● black	A	L ⊕ N	770-703	100
○ white	A	L ⊕ N	770-723	100

Control technology

Color	Coding	Marking	Item no.	PU
○ gray	B	1 2 3	770-743	100
○ gray	B	L ⊕ N	770-743/060-000	100
○ gray	B	2 PE 1	770-743/062-000	100
● light green	B	1 2 3	770-763	100
● light green	B	U+ X/Y U-	770-763/071-000	100
● light green	B	1 ⊕ 2	770-763/073-000	100
● pink	B	I+ I-	770-783/081-000	100
● pink	B	1 2 3	770-783	100
● pink	B	+ S -	770-783/082-000	100

EDV (UPS)

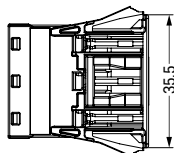
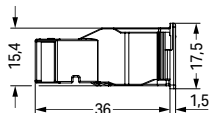
Color	Coding	Marking	Item no.	PU
● red	P	L ⊕ N	770-2303	100

LON bus

Color	Coding	Marking	Item no.	PU
● orange	R	LON LON S	770-2343	100

Switching function

Color	Coding	Marking	Item no.	PU
● brown	S	1 2 L	770-2363	100



Accessories; for all products on this page



Lockout cap; for socket; separable;
Pole number: 12



Operating tool; for WAGO WINSTA®
MIDI Connectors; Pole number: 3



Lockout cap; for cutout; Pole number: 3

Color	Item no.	PU
● black	770-201	100
○ white	770-221	100

Color	Item no.	PU (SPU)
● green	770-383	50 (1)

Color	Item no.	PU
● black	770-643	100
○ white	770-693	100

PU = packaging unit; SPU = subpackaging unit; Dimensions in mm

Snap-in device connector ▶ WINSTA® MIDI ▶ 770 Series

Pole number: 3 ▶ Number of connection points: 2 ▶ Protection type: IP20

Male connector/plug

with protruding interface ▶ Female connector/socket



2

770-713

770-703/009-000

General mains applications

Color	Coding	Marking	Item no.	PU
● black	A	N ⊕ L	770-713	100
○ white	A	N ⊕ L	770-733	100

Control technology

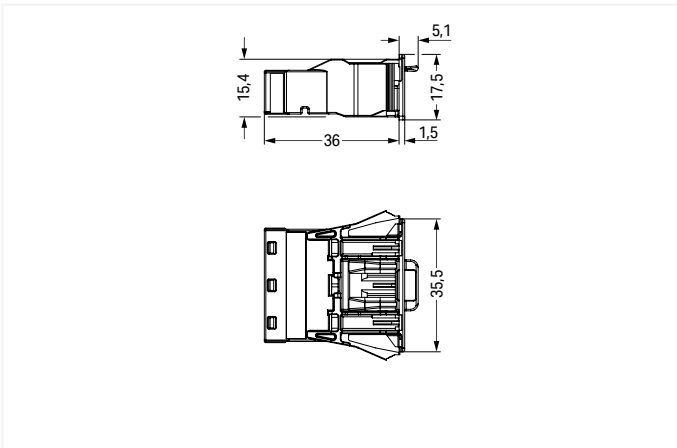
Color	Coding	Marking	Item no.	PU
○ gray	B	3 2 1	770-753	100
○ gray	B	N ⊕ L	770-753/060-000	100
○ gray	B	1 ⊕ 2	770-753/062-000	100
● light green	B	3 2 1	770-773	100
● light green	B	U- X/Y U+	770-773/071-000	100
● light green	B	2 ⊕ 1	770-773/073-000	100
● pink	B	5 2 1	770-793/081-000	100
● pink	B	3 2 1	770-793	100
● pink	B	- S +	770-793/082-000	100

EDV (UPS)

Color	Coding	Marking	Item no.	PU
● red	P	N ⊕ L	770-2313	100

LON bus

Color	Coding	Marking	Item no.	PU
● orange	R	S LON LON	770-2353	100

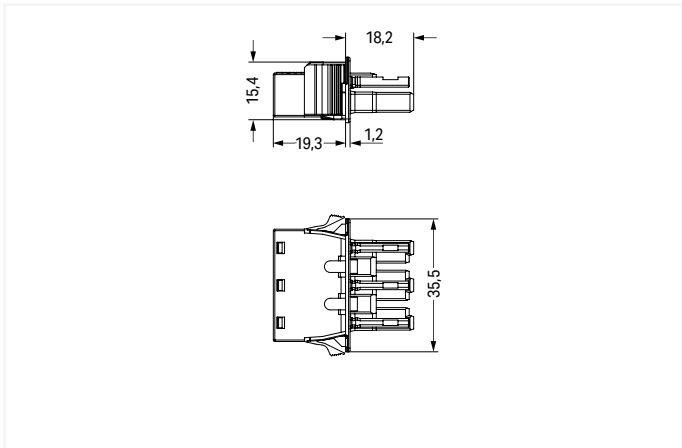


Item-Specific Accessories



Lockout cap; for plugs; separable; Pole number: 5

Color	Item no.	PU
● yellow	770-360	100



Item-Specific Accessories



Lockout cap; for socket; separable; Pole number: 12

Color	Item no.	PU
● black	770-201	100
○ white	770-221	100

Accessories; for all products on this page



Operating tool; for WAGO WINSTA® MIDI Connectors; Pole number: 3

Color	Item no.	PU (SPU)
● green	770-383	50 (1)



Lockout cap; for cutout; Pole number: 3

Color	Item no.	PU
● black	770-643	100
○ white	770-693	100

PU = packaging unit; SPU = subpackaging unit; Dimensions in mm

Snap-in device connector ▶ WINSTA® MIDI ▶ 770 Series

Pole number: 3 ▶ Number of connection points: 2 ▶ Protection type: IP20

with direct ground contact ▶ Male connector/plug



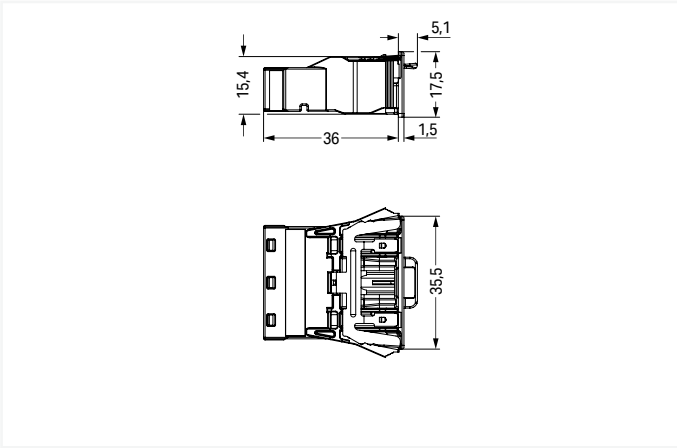
770-713/007-000

General mains applications

Color	Coding	Marking	Item no.	PU
● black	A	N ⊕ L	770-713/007-000	100
○ white	A	N ⊕ L	770-733/007-000	100

EDV (UPS)

Color	Coding	Marking	Item no.	PU
● red	P	N ⊕ L	770-2313/007-000	100



2

Accessories; for all products on this page



Lockout cap; for plugs; separable; Pole number: 5



Operating tool; for WAGO WINSTA® MIDI Connectors; Pole number: 3



Lockout cap; for cutout; Pole number: 3

Color	Item no.	PU
● yellow	770-360	100

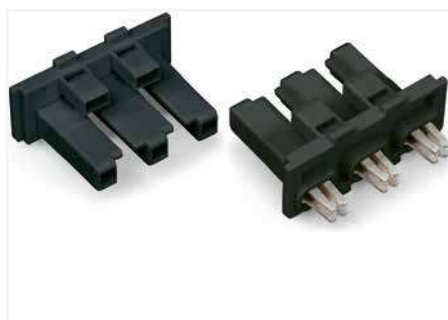
Color	Item no.	PU (SPU)
● green	770-383	50 (1)

Color	Item no.	PU
● black	770-643	100
○ white	770-693	100

PU = packaging unit; SPU = subpackaging unit; Dimensions in mm

Pluggable connectors ▶ WINSTA® MIDI ▶ 770 Series

Pole number: 3 ▶ Protection type: IP20



- Protected against mismatching and maintenance-free
- Push-in CAGE CLAMP® spring pressure connection technology allows solid conductors to be simply pushed into a unit.
- Two wire connections per pole for loops or bridges
- Additional variable coding is possible.

Electrical data			
Coding	A		
Ratings per	IEC/EN 60664-1		
Overvoltage category	III	III	II
Pollution degree	3	2	2
Nominal voltage	250 V	-	-
Rated surge voltage	4 kV	-	-
Rated current	25 A	-	-
Approvals per	UL 1977		
Rated voltage	600 V		
Rated current	23 A		
Material Data			
Insulation material	Polyamide (PA66)		
Flammability class per UL94	V0		
Clamping spring material	Chrome-nickel spring steel (CrNi)		
Contact material	Copper or copper alloy; surface-treated		
Contact plating	Tin		
Mechanical Data			
Number of mating cycles	200, without resistive load		
Mating force of a plug-in connection	approx. 20 ... 70 N (depending on pole number)		
Unmating force of a plug-in connection	Unlocked: approx. 20 ... 70 N (depending on pole number)		
Retention force of a plug-in connection	Locked: > 80 N		
Protection type	IP20		
Environmental requirements			
Processing temperature	-5 ... +40 °C		
Continuous operating temperature	-35 ... +85 °C		
Note on continuous operating temperature	Insulating parts for temperatures ≤ 105 °C		

Application note for the U.S. market (USR): Some versions may also be used for current interruption in accordance with the UL certificate in select applications with currents below 16 A and voltages up to 600 V. For further information, please contact your local sales office.

All WINSTA® components are 100% protected against mismatching when:

- plugging different numbers of poles
- plugging while rotated 180
- plugging while laterally staggered
- plugging one pole

All connectors for mounted installations (snap-in versions for lighting fixtures or devices, all types of PCB and distribution connectors) are factory-equipped with locking levers to ensure plugs and sockets are securely locked. Additional locking levers are only required for flying leads (plug/socket).

See technical section for further information

Approvals and corresponding ratings, visit www.wago.com

Pluggable connectors ▶ WINSTA® MIDI ▶ 770 Series

Pole number: 3 ▶ Protection type: IP20

Female connector/socket

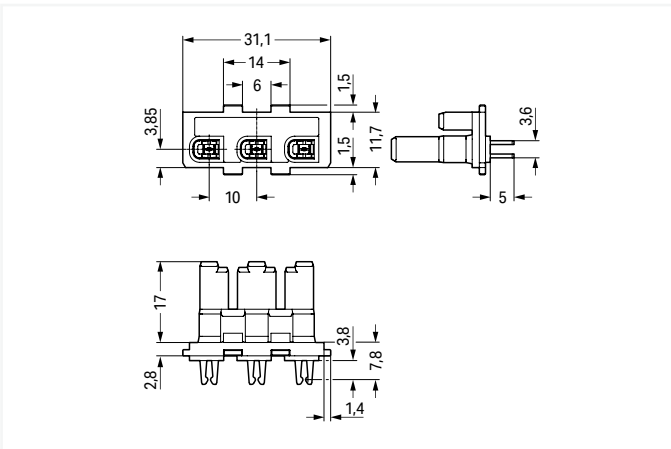


Male connector/plug



770-408

General mains applications				
Color	Coding	Marking	Item no.	PU
● black	A	plain	770-408	100
○ white	A	plain	770-428	100



Item-Specific Accessories

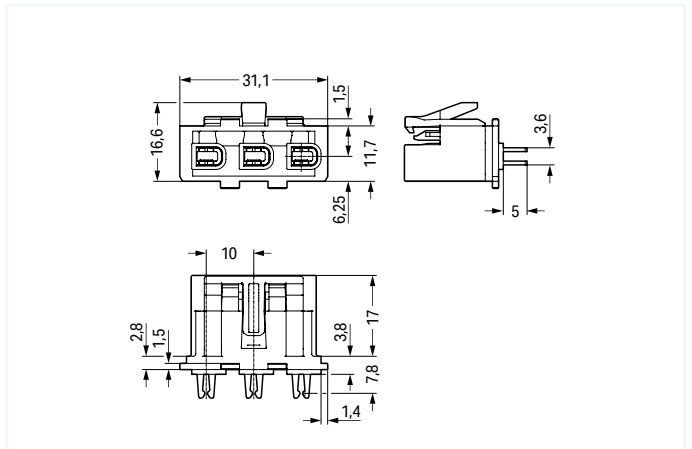


Lockout cap; for socket; separable; Pole number: 12

Color	Item no.	PU
● black	770-201	100
○ white	770-221	100

770-418

General mains applications				
Color	Coding	Marking	Item no.	PU
● black	A	plain	770-418	100
○ white	A	plain	770-438	100



Item-Specific Accessories



Lockout cap; for plugs; separable; Pole number: 5

Color	Item no.	PU
● yellow	770-360	100

PU = packaging unit; SPU = subpackaging unit; Dimensions in mm

Pluggable PCB connector ▶ WINSTA® MIDI ▶ 770 Series

Pole number: 3



- Protected against mismatching and maintenance-free
- Push-in CAGE CLAMP® spring pressure connection technology for direct termination of solid conductors
- Additional variable coding possible

Electrical data			
Coding	A; B		
Ratings per	IEC/EN 60664-1		
Overvoltage category	III	III	II
Pollution degree	3	2	2
Nominal voltage	250 V	-	-
Rated surge voltage	4 kV	-	-
Rated current	25 A	-	-
Approvals per	UL 1977		
Rated voltage	600 V		
Rated current	23 A		
Material Data			
Insulation material	Polyamide (PA66)		
Flammability class per UL94	V0		
Clamping spring material	Chrome-nickel spring steel (CrNi)		
Contact material	Copper or copper alloy; surface-treated		
Contact plating	Tin		
Mechanical Data			
Solder pin arrangement	2 in-line solder pins/pole		
Number of solder pins per potential	2		
Solder pin length	3.5 mm		
Solder pin dimensions	1 x 0.8 mm		
Drilled hole diameter with tolerance	1.5 ^{+0.1 ... +0.1} mm		
Number of mating cycles	200, without resistive load		
Mating force of a plug-in connection	approx. 20 ... 70 N (depending on pole number)		
Unmating force of a plug-in connection	Unlocked: approx. 20 ... 70 N (depending on pole number)		
Retention force of a plug-in connection	Locked: > 80 N		
Environmental requirements			
Processing temperature	-5 ... +40 °C		
Continuous operating temperature	-35 ... +85 °C		
Note on continuous operating temperature	Insulating parts for temperatures ≤ 105 °C		

All WINSTA® components are 100% protected against mismatching when:

- a.) plugging different numbers of poles
- b.) plugging while rotated 180
- c.) plugging while laterally staggered
- d.) plugging one pole

All connectors for mounted installations (snap-in versions for lighting fixtures or devices, all types of PCB and distribution connectors) are factory-equipped with locking levers to ensure plugs and sockets are securely locked. Additional locking levers are only required for flying leads (plug/socket).

Coding Page 371

See technical section for further information

Approvals and corresponding ratings, visit www.wago.com

Pluggable PCB connector ▶ WINSTA® MIDI ▶ 770 Series

Pole number: 3

straight ▶ Female connector/socket



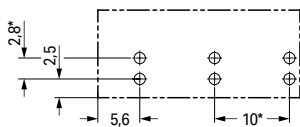
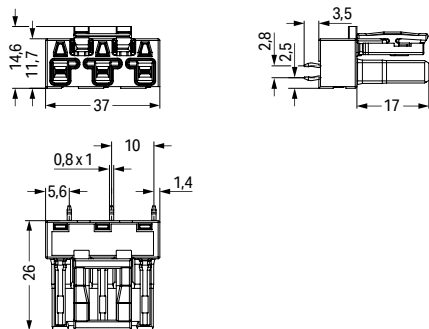
770-803

General mains applications

Color	Coding	Marking	Item no.	PU
● black	A	L ⊕ N	770-803	100
○ white	A	L ⊕ N	770-823	100

Control technology

Color	Coding	Marking	Item no.	PU
○ gray	B	1 2 3	770-843	100
○ gray	B	L ⊕ N	770-843/060-000	100
○ gray	B	2 PE 1	770-843/062-000	100
● light green	B	1 2 3	770-863	100
● light green	B	U+ X/Y U-	770-863/071-000	100
● light green	B	1 ⊕ 2	770-863/073-000	100
● pink	B	1 2 3	770-883	100
● pink	B	1 2 5	770-883/081-000	100
● pink	B	+ S -	770-883/082-000	100



* ± 0.05 mm
Drilled hole diameter: 1.5^{+0.1} mm

Item-Specific Accessories



Lockout cap; for socket; separable;
Pole number: 12

Color	Item no.	PU
● black	770-201	100
○ white	770-221	100

straight ▶ Male connector/plug



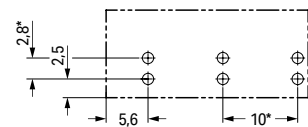
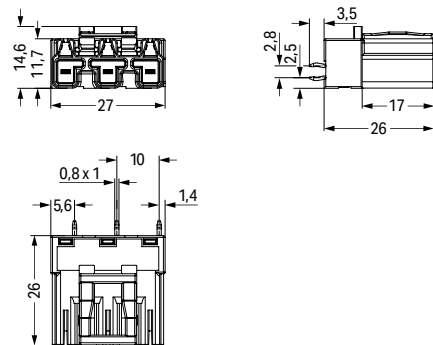
770-813

General mains applications

Color	Coding	Marking	Item no.	PU
● black	A	N ⊕ L	770-813	100
○ white	A	N ⊕ L	770-833	100

Control technology

Color	Coding	Marking	Item no.	PU
○ gray	B	3 2 1	770-853	100
○ gray	B	N ⊕ L	770-853/060-000	100
○ gray	B	1 PE 2	770-853/062-000	100
● light green	B	3 2 1	770-873	100
● light green	B	U- X/Y U+	770-873/071-000	100
● light green	B	2 ⊕ 1	770-873/073-000	100
● pink	B	3 2 1	770-893	100
● pink	B	5 2 1	770-893/081-000	100
● pink	B	- S +	770-893/082-000	100



* ± 0.05 mm
Drilled hole diameter: 1.5^{+0.1} mm

Item-Specific Accessories



Lockout cap; for plugs; separable; Pole number: 5

Color	Item no.	PU
● yellow	770-360	100

PU = packaging unit; SPU = subpackaging unit; Dimensions in mm

Pluggable PCB connector ▶ WINSTA® MIDI ▶ 770 Series

Pole number: 3

angled ▶ Female connector/socket



770-803/011-000

angled ▶ Male connector/plug



770-813/011-000

General mains applications

Color	Coding	Marking	Item no.	PU
● black	A	L ⊕ N	770-803/011-000	100
○ white	A	L ⊕ N	770-823/011-000	100

Control technology

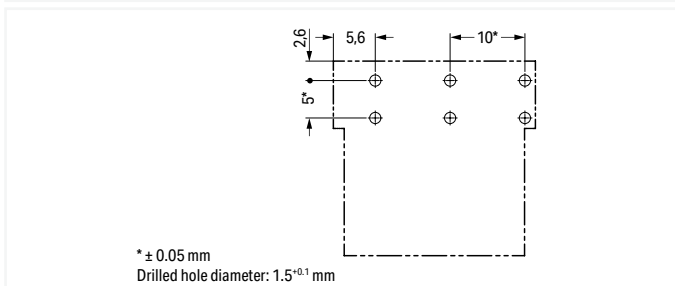
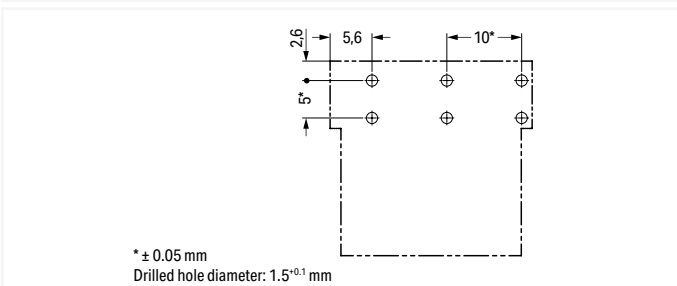
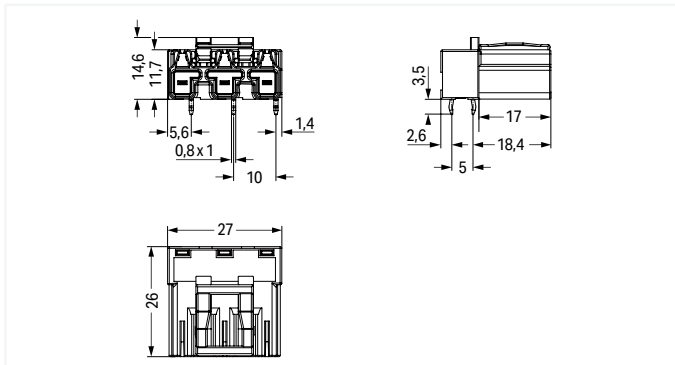
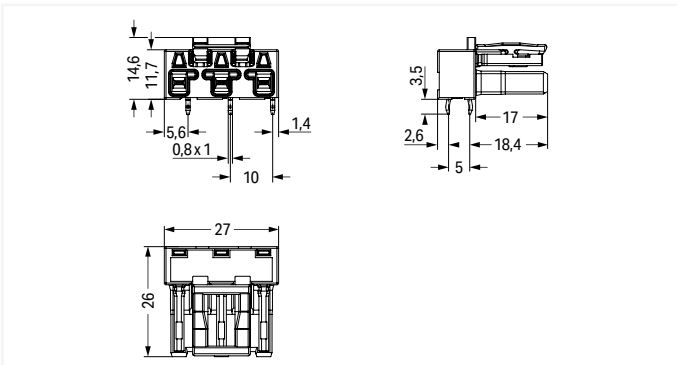
Color	Coding	Marking	Item no.	PU
○ gray	B	1 2 3	770-843/011-000	100
○ gray	B	L ⊕ N	770-843/011-000/060-000	100
○ gray	B	2 PE 1	770-843/011-000/062-000	100
● light green	B	1 2 3	770-863/011-000	100
● light green	B	U+ X/Y U-	770-863/011-000/071-000	100
● light green	B	1 ⊕ 2	770-863/011-000/073-000	100
● pink	B	1 2 3	770-883/011-000	100
● pink	B	1 2 5	770-883/011-000/081-000	100
● pink	B	+ S -	770-883/011-000/082-000	100

General mains applications

Color	Coding	Marking	Item no.	PU
● black	A	N ⊕ L	770-813/011-000	100
○ white	A	N ⊕ L	770-833/011-000	100

Control technology

Color	Coding	Marking	Item no.	PU
○ gray	B	3 2 1	770-853/011-000	100
○ gray	B	N ⊕ L	770-853/011-000/060-000	100
○ gray	B	1 PE 2	770-853/011-000/062-000	100
● light green	B	3 2 1	770-873/011-000	100
● light green	B	U- X/Y U+	770-873/011-000/071-000	100
● light green	B	2 ⊕ 1	770-873/011-000/073-000	100
● pink	B	3 2 1	770-893/011-000	100
● pink	B	5 2 1	770-893/011-000/081-000	100
● pink	B	- S +	770-893/011-000/082-000	100



Item-Specific Accessories



Lockout cap; for socket; separable; Pole number: 12

Color	Item no.	PU
● black	770-201	100
○ white	770-221	100



Lockout cap; for plugs; separable; Pole number: 5

Color	Item no.	PU
● yellow	770-360	100

PU = packaging unit; SPU = subpackaging unit; Dimensions in mm

2

Distribution connector ► WINSTA® MIDI ► 770 Series

Pole number: 3



- Protected against mismatching and maintenance-free
- Additional variable coding is possible.

Electrical data			
Coding	A; B; R; P		
Ratings per	IEC/EN 60664-1		
Overvoltage category	III	III	II
Pollution degree	3	2	2
Nominal voltage	250 V	-	-
Rated surge voltage	4 kV	-	-
Rated current	25 A	-	-
Approvals per	UL 1977		
Rated voltage	600 V		
Rated current	23 A		
Material Data			
Contact material	Copper or copper alloy; surface-treated		
Contact plating	Tin		
Mechanical Data			
Number of mating cycles	200, without resistive load		
Mating force of a plug-in connection	Approx. 20 ... 70 N (depending on pole number)		
Unmating force of a plug-in connection	Unlocked: approx. 20 ... 70 N (depending on pole number)		
Retention force of a plug-in connection	When locked: > 80 N		
Protection type	IP20		
Note on protection type	When mated: IP2xC (These compact connectors are not designed for use in open, easily accessible areas!)		
Environmental requirements			
Note on continuous operating temperature	Insulating parts for temperatures ≤ 105 °C		

At least one snap-in connector **without** a locking lever is required on one side when connecting two lights directly via intermediate coupler.

All WINSTA® components are 100% protected against mismatching when:

- plugging different numbers of poles
- plugging while rotated 180
- plugging while laterally staggered
- plugging one pole

All connectors for mounted installations (snap-in versions for lighting fixtures or devices, all types of PCB and distribution connectors) are factory-equipped with locking levers to ensure plugs and sockets are securely locked. Additional locking levers are only required for flying leads (plug/socket).

Coding Page 371

See technical section for further information

Approvals and corresponding ratings, visit www.wago.com

Distribution connector ▶ WINSTA® MIDI ▶ 770 Series

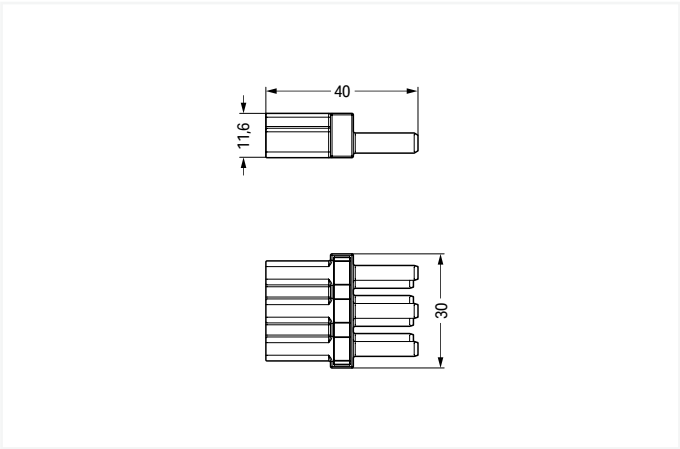
Pole number: 3

Intermediate coupler



770-603

General mains applications				
Color	Coding	Marking	Item no.	PU
● black	A	plain	770-603	100
○ white	A	plain	770-653	100



2

Accessories; for all products on this page



Lockout cap; for socket; separable; Pole number: 12



Lockout cap; for plugs; separable; Pole number: 5

Color	Item no.	PU
● black	770-201	100
○ white	770-221	100

Color	Item no.	PU
● yellow	770-360	100

PU = packaging unit; SPU = subpackaging unit; Dimensions in mm

Distribution connector ▶ WINSTA® MIDI ▶ 770 Series

Pole number: 3

Linect® T-connector

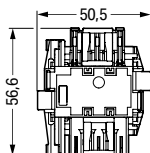
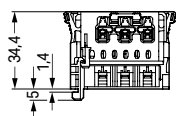


2

770-6223

General mains applications

Color	Coding	Marking	Item no.	PU
○ white	A	L ⊕ N	770-6223	25



Accessories; for all products on this page



Lockout cap; for socket; separable;
Pole number: 12



Lockout cap; for plugs; separable; Pole
number: 5

Color	Item no.	PU
● black	770-201	100
○ white	770-221	100

Color	Item no.	PU
● yellow	770-360	100

PU = packaging unit; SPU = subpackaging unit; Dimensions in mm

Distribution connector ▶ WINSTA® MIDI ▶ 770 Series

Pole number: 3

T-distribution connector

Number of locking levers: 2

for flying leads ▶ Number of locking levers: 3



770-606

770-615

General mains applications

Color	Coding	Marking	Item no.	PU
● black	A	L ⊕ N	770-606	50
○ white	A	L ⊕ N	770-656	50

Control technology

Color	Coding	Marking	Item no.	PU
○ gray	B	1 2 3	770-967	50
● light green	B	1 2 3	770-1612	50
● pink	B	1 2 3	770-1613	50

LON bus

Color	Coding	Marking	Item no.	PU
● orange	R	LON LON S	770-667	50

General mains applications

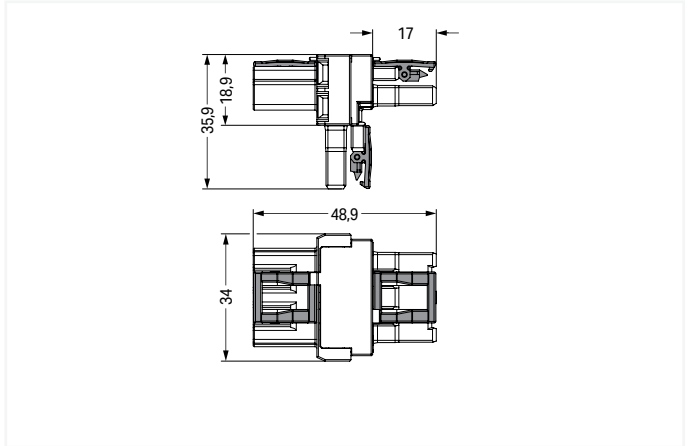
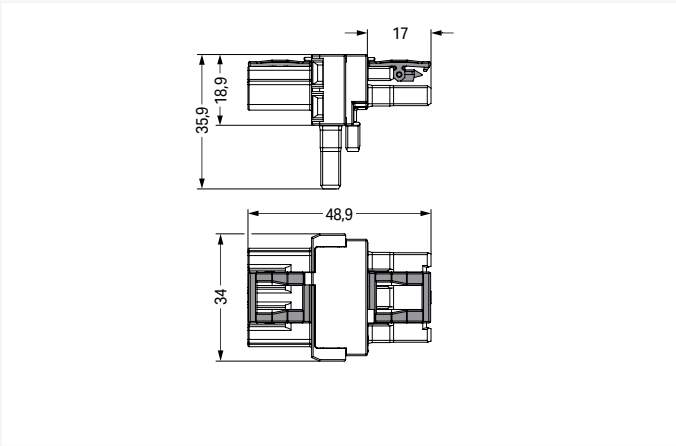
Color	Coding	Marking	Item no.	PU
● black	A	L ⊕ N	770-615	50
○ white	A	L ⊕ N	770-665	50

Control technology

Color	Coding	Marking	Item no.	PU
○ gray	B	1 2 3	770-970	50
● light green	B	1 2 3	770-1712	50
● pink	B	1 2 3	770-1713	50

LON bus

Color	Coding	Marking	Item no.	PU
● orange	R	LON LON S	770-670	50



Accessories; for all products on this page



Lockout cap; for socket; separable; Pole number: 12



Mounting carrier; for T-distribution connectors; 2- to 5-pole



Lockout cap; for plugs; separable; Pole number: 5

Color	Item no.	PU
● black	770-201	100
○ white	770-221	100

Color	Item no.	PU
● silver-colored	770-354	50

Color	Item no.	PU
● yellow	770-360	100

PU = packaging unit; SPU = subpackaging unit; Dimensions in mm

Distribution connector ▶ WINSTA® MIDI ▶ 770 Series

Pole number: 3

h-distribution connector, outputs on both sides

Number of locking levers: 2

for flying leads ▶ Number of locking levers: 3



770-633



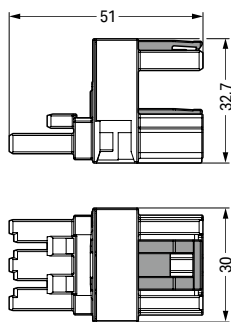
770-635

General mains applications

Color	Coding	Marking	Item no.	PU
● black	A	L ⊕ N	770-633	50
○ white	A	L ⊕ N	770-683	50

Control technology

Color	Coding	Marking	Item no.	PU
○ gray	B	1 2 3	770-1764	50
● light green	B	1 2 3	770-1765	50
● pink	B	1 2 3	770-1766	50

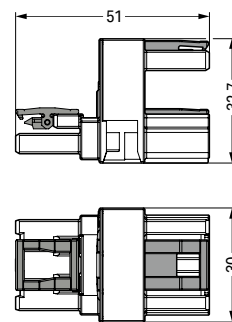


General mains applications

Color	Coding	Marking	Item no.	PU
● black	A	L ⊕ N	770-635	50
○ white	A	L ⊕ N	770-685	50

Control technology

Color	Coding	Marking	Item no.	PU
○ gray	B	1 2 3	770-1767	50
● light green	B	1 2 3	770-1768	50
● pink	B	1 2 3	770-1769	50



Accessories; for all products on this page



Lockout cap; for socket; separable; Pole number: 12



Lockout cap; for plugs; separable; Pole number: 5



Mounting plate; for distribution connectors (except T-distribution connectors); 3-pole

Color	Item no.	PU
● black	770-201	100
○ white	770-221	100

Color	Item no.	PU
● yellow	770-360	100

Color	Item no.	PU
● black	770-623	25
○ white	770-673	25

PU = packaging unit; SPU = subpackaging unit; Dimensions in mm

Distribution connector ▶ WINSTA® MIDI ▶ 770 Series

Pole number: 3

h-distribution connector, outputs on one side

Number of locking levers: 2

for flying leads ▶ Number of locking levers: 3



770-634

770-636

General mains applications

Color	Coding	Marking	Item no.	PU
● black	A	L ⊕ N	770-634	50
○ white	A	L ⊕ N	770-684	50

Control technology

Color	Coding	Marking	Item no.	PU
○ gray	B	1 2 3	770-1661	50
● light green	B	1 2 3	770-1662	50
● pink	B	1 2 3	770-1663	50

EDV (UPS)

Color	Coding	Marking	Item no.	PU
● red	P	L ⊕ N	770-934	50

General mains applications

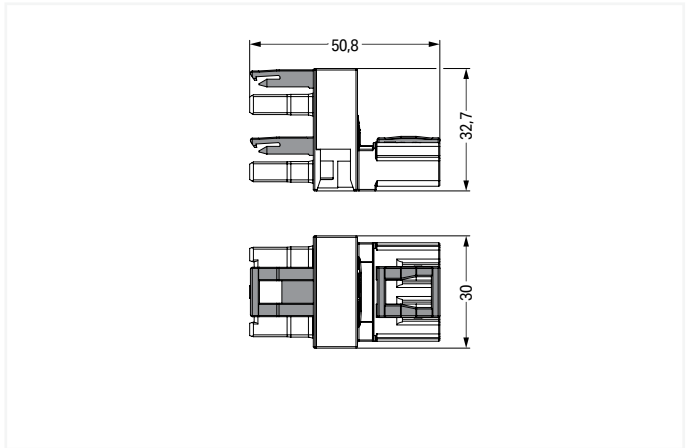
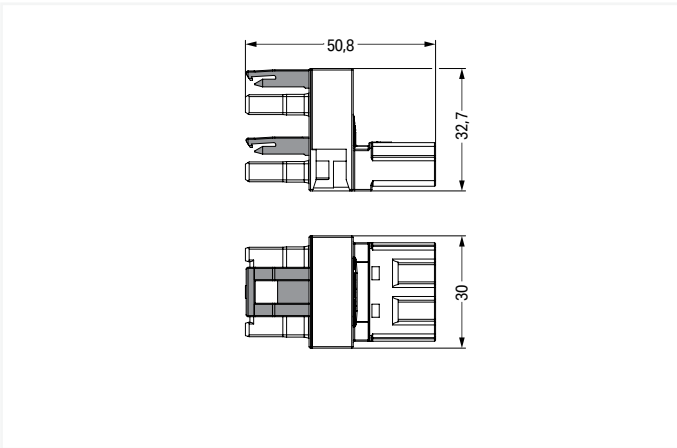
Color	Coding	Marking	Item no.	PU
● black	A	L ⊕ N	770-636	50
○ white	A	L ⊕ N	770-686	50

Control technology

Color	Coding	Marking	Item no.	PU
○ gray	B	1 2 3	770-1761	50
● light green	B	1 2 3	770-1762	50
● pink	B	1 2 3	770-1763	50

EDV (UPS)

Color	Coding	Marking	Item no.	PU
● red	P	L ⊕ N	770-936	50



Accessories; for all products on this page



Lockout cap; for socket; separable; Pole number: 12



Lockout cap; for plugs; separable; Pole number: 5



Mounting plate; for distribution connectors (except T-distribution connectors); 3-pole

Color	Item no.	PU
● black	770-201	100
○ white	770-221	100

Color	Item no.	PU
● yellow	770-360	100

Color	Item no.	PU
● black	770-623	25
○ white	770-673	25

PU = packaging unit; SPU = subpackaging unit; Dimensions in mm

Distribution connector ▶ WINSTA® MIDI ▶ 770 Series

Pole number: 3

Distribution connector, 3-way ▶ Number of locking levers: 4



2

770-607

General mains applications

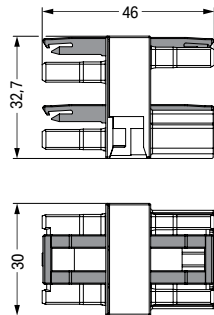
Color	Coding	Marking	Item no.	PU
● black	A	L ⊕ N	770-607	50
○ white	A	L ⊕ N	770-657	50

Control technology

Color	Coding	Marking	Item no.	PU
○ gray	B	1 2 3	770-1714	50
● light green	B	1 2 3	770-1715	50
● pink	B	1 2 3	770-1716	50

EDV (UPS)

Color	Coding	Marking	Item no.	PU
● red	P	L ⊕ N	770-907	50



Accessories; for all products on this page



Lockout cap; for socket; separable; Pole number: 12



Lockout cap; for plugs; separable; Pole number: 5



Mounting plate; for distribution connectors (except T-distribution connectors); 3-pole

Color	Item no.	PU
● black	770-201	100
○ white	770-221	100

Color	Item no.	PU
● yellow	770-360	100

Color	Item no.	PU
● black	770-623	25
○ white	770-673	25

PU = packaging unit; SPU = subpackaging unit; Dimensions in mm

Distribution connector ▶ WINSTA® MIDI ▶ 770 Series

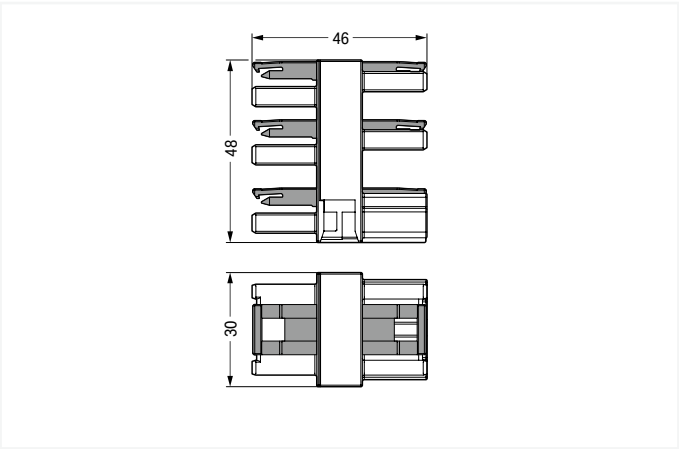
Pole number: 3

Distribution connector, 5-way ▶ Number of locking levers: 6



770-608

General mains applications				
Color	Coding	Marking	Item no.	PU
● black	A	L ⊕ N	770-608	25
○ white	A	L ⊕ N	770-658	25



2

Accessories; for all products on this page



Lockout cap; for socket; separable; Pole number: 12



Lockout cap; for plugs; separable; Pole number: 5



Mounting plate; for distribution connectors (except T-distribution connectors); 3-pole

Color	Item no.	PU
● black	770-201	100
○ white	770-221	100

Color	Item no.	PU
● yellow	770-360	100

Color	Item no.	PU
● black	770-623	25
○ white	770-673	25

PU = packaging unit; SPU = subpackaging unit; Dimensions in mm

Distribution connector ▶ WINSTA® MIDI ▶ 770 Series

Pole number: 3

Distribution connector for single-pole switch or series circuits ▶ for single-pole switch and series circuits ▶ Number of locking levers: 6

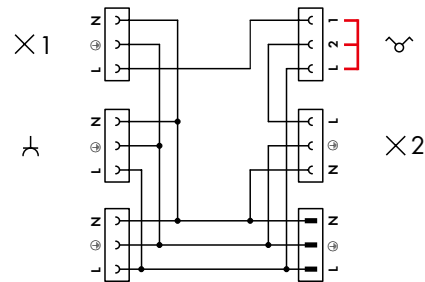
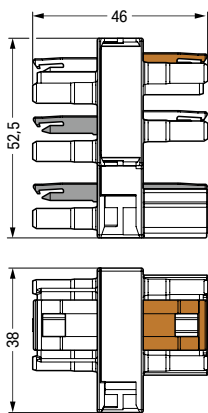
2



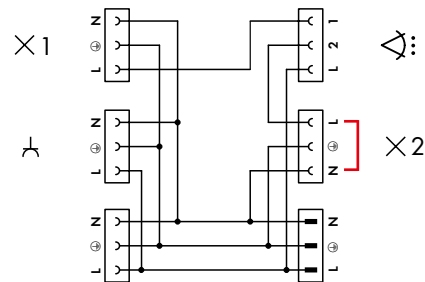
770-637

General mains applications

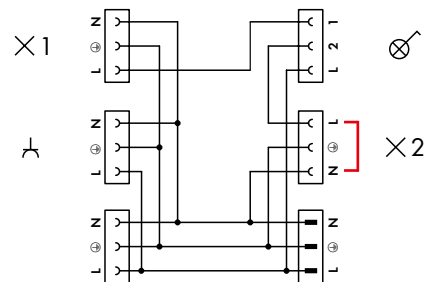
Color	Coding	Marking	Item no.	PU
● black	A	plain	770-637	10
○ white	A	plain	770-687	10



Internal circuit of 770-637 Distribution Connector with possible insertion position of 770-1373/14x-000 Shorting Plug



Internal circuit of 770-637 Distribution Connector with insertion position of 770-113/147-000 Shorting Plug for connecting a motion sensor



Internal circuit of 770-637 Distribution Connector with insertion position of 770-113/147-000 Shorting Plug for connecting a switch with control lamp

Accessories; for all products on this page



Shorting plug; for distribution connectors; series and two-way circuits; Pole number: 3; Coding: A

Marking	Item no.	PU
	770-113/147-000	25



Shorting plug; for distribution connectors; series and two-way circuits; Pole number: 3; Coding: S

Marking	Item no.	PU
	770-1373/146-000	25
	770-1373/147-000	25
	770-1373/148-000	25
	770-1373/149-000	25



Lockout cap; for socket; separable; Pole number: 12

Color	Item no.	PU
● black	770-201	100
○ white	770-221	100



Lockout cap; for plugs; separable; Pole number: 5

Color	Item no.	PU
● yellow	770-360	100



Mounting plate; for distribution connectors (except T-distribution connectors); 3-pole

Color	Item no.	PU
● black	770-623	25
○ white	770-673	25

PU = packaging unit; SPU = subpackaging unit; Dimensions in mm

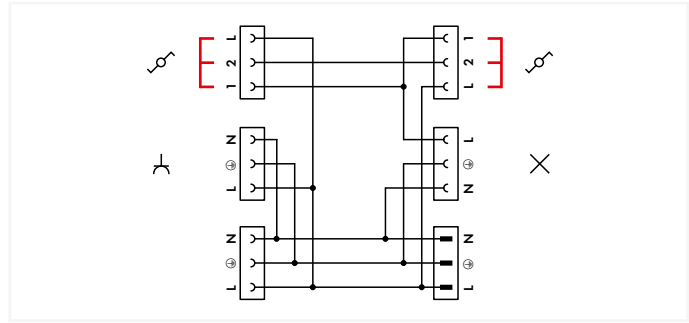
Distribution connector ▶ WINSTA® MIDI ▶ 770 Series

Pole number: 3

Distribution connector for single-pole switch and two-way circuits ▶ for single-pole switch and two-way circuits ▶ Number of locking levers: 6



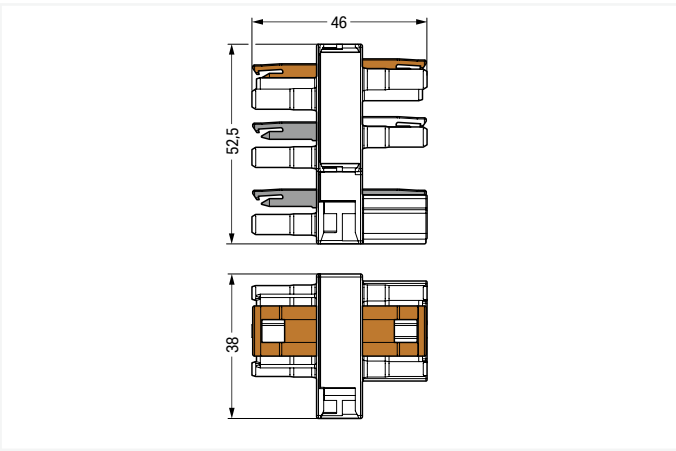
770-638



Internal circuit of 770-638 Distribution Connector with possible insertion positions of 770-1373/14x-000 Shorting Plug

General mains applications

Color	Coding	Marking	Item no.	PU
● black	A	plain	770-638	10
○ white	A	plain	770-688	10



2

Accessories; for all products on this page



Shorting plug; for distribution connectors; series and two-way circuits; Pole number: 3; Coding: S

Marking	Item no.	PU
□	770-1373/146-000	25
□	770-1373/147-000	25
□	770-1373/148-000	25
□	770-1373/149-000	25



Lockout cap; for socket; separable; Pole number: 12

Color	Item no.	PU
● black	770-201	100
○ white	770-221	100



Lockout cap; for plugs; separable; Pole number: 5

Color	Item no.	PU
● yellow	770-360	100



Mounting plate; for distribution connectors (except T-distribution connectors); 3-pole

Color	Item no.	PU
● black	770-623	25
○ white	770-673	25

PU = packaging unit; SPU = subpackaging unit; Dimensions in mm

Cable assembly ▶ WINSTA® MIDI ▶ 771 Series

Pole number: 3 ▶ Fire class per EN 50575: E_{ca}



- Protected against mismatching and maintenance-free
- Push-in CAGE CLAMP® spring pressure connection technology allows solid conductors to be simply pushed into a unit.
- Two wire connections per pole for loops or bridges
- Additional variable coding is possible.

Electrical data									
Coding	A; B; P; S			A; P			A; B		
Wire cross-section	1.5 mm ²			2.5 mm ²			0.75 mm ² ; 1 mm ²		
Ratings per	IEC/EN 60664-1			IEC/EN 60664-1			IEC/EN 60664-1		
Overtoltage category	III	III	II	III	III	II	III	III	II
Pollution degree	3	2	2	3	2	2	3	2	2
Nominal voltage	250 V	-	-	250 V	-	-	250 V	-	-
Rated surge voltage	4 kV	-	-	4 kV	-	-	4 kV	-	-
Rated current	16 A	-	-	20 A	-	-	10 A	-	-
Material Data									
Insulation material	Polyamide (PA66)								
Contact material	Copper or copper alloy; surface-treated								
Contact plating	Tin								
Fire class per EN 50575	E _{ca}								
Mechanical Data									
Number of mating cycles	200, without resistive load								
Mating force of a plug-in connection	approx. 20 ... 70 N (depending on pole number)								
Unmating force of a plug-in connection	when unlocked: approx. 20 ... 70 N (depending on pole number)								
Retention force of a plug-in connection	when locked: > 80N								
Note on protection type	When mated: IP2xC (These compact connectors are not designed for use in open, easily accessible areas!)								
Environmental requirements									
Processing temperature	-5 ... +40 °C								
Continuous operating temperature	-35 ... +85 °C								
Note on continuous operating temperature	Cable for temperatures ≤ 70 °C (including halogen-free) Insulating parts for temperatures ≤ 105 °C								

Cables with a different fire class can be found in the eShop.

All WINSTA® components are 100% protected against mismatching when:

- plugging different numbers of poles
- plugging while rotated 180
- plugging while laterally staggered
- plugging one pole

All connectors for mounted installations (snap-in versions for lighting fixtures or devices, all types of PCB and distribution connectors) are factory-equipped with locking levers to ensure plugs and sockets are securely locked. Additional locking levers are only required for flying leads (plug/socket).

Coding Page 371

Cover Page 368

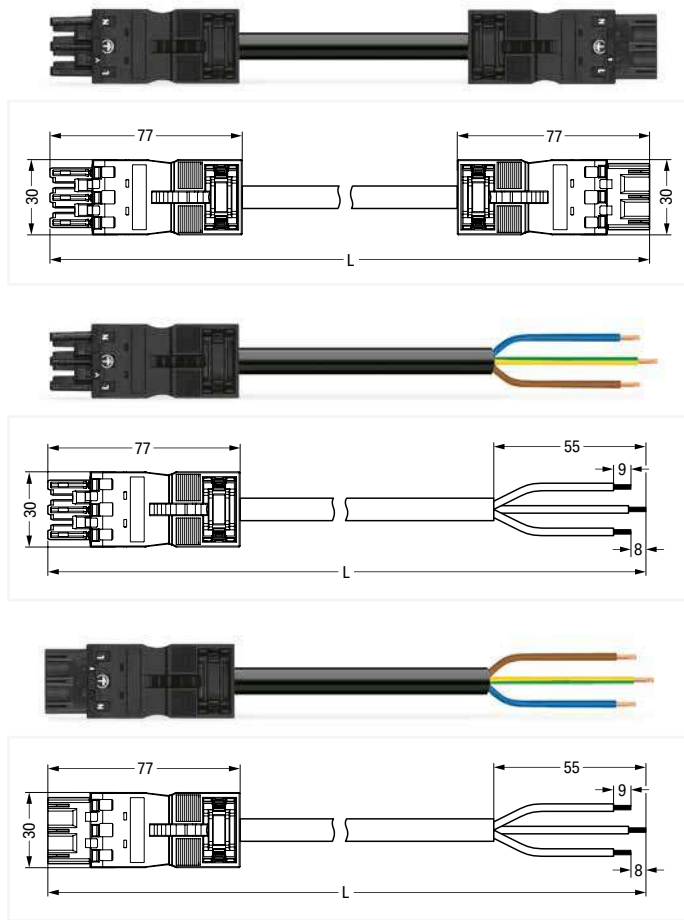
Marking Page 397

See technical section for further information

Approvals and corresponding ratings, visit www.wago.com

Cable assembly ▶ WINSTA® MIDI ▶ 771 Series

Pole number: 3 ▶ Fire class per EN 50575: E_{ca} ▶ Coding: A ▶ Protection type: IP2XD ▶ 1.5 mm²
 ▶ Marking: L ⊕ N ▶ PVC ▶ Sheathed cable diameter: 7.4 ... 9.4 mm ▶ H05VV-F 3G1.5 ▶ General mains applications






Interconnecting cable ▶ Socket - Plug			
Total length	Connector color / Strain relief color		PU
	black / black	white / white	
1 m	771-6993/006-101	771-6993/006-102	1
2 m	771-6993/006-201	771-6993/006-202	1
3 m	771-6993/006-301	771-6993/006-302	1
4 m	771-6993/006-401	771-6993/006-402	1
5 m	771-6993/006-501	771-6993/006-502	1
6 m	771-6993/006-601	771-6993/006-602	1
7 m	771-6993/006-701	771-6993/006-702	1
8 m	771-6993/006-801	771-6993/006-802	1

Connecting cable ▶ Socket - free end ▶ Strip length (outer insulation): 55 mm			
Total length	Connector color / Strain relief color		PU
	black / black	white / white	
1 m	771-6993/106-101	771-6993/106-102	1
2 m	771-6993/106-201	771-6993/106-202	1
3 m	771-6993/106-301	771-6993/106-302	1
4 m	771-6993/106-401	771-6993/106-402	1
5 m	771-6993/106-501	771-6993/106-502	1
6 m	771-6993/106-601	771-6993/106-602	1
7 m	771-6993/106-701	771-6993/106-702	1
8 m	771-6993/106-801	771-6993/106-802	1

Connecting cable ▶ Plug - free end ▶ Strip length (outer insulation): 55 mm			
Total length	Connector color / Strain relief color		PU
	black / black	white / white	
1 m	771-6993/206-101	771-6993/206-102	1
2 m	771-6993/206-201	771-6993/206-202	1
3 m	771-6993/206-301	771-6993/206-302	1
4 m	771-6993/206-401	771-6993/206-402	1
5 m	771-6993/206-501	771-6993/206-502	1
6 m	771-6993/206-601	771-6993/206-602	1
7 m	771-6993/206-701	771-6993/206-702	1
8 m	771-6993/206-801	771-6993/206-802	1

2

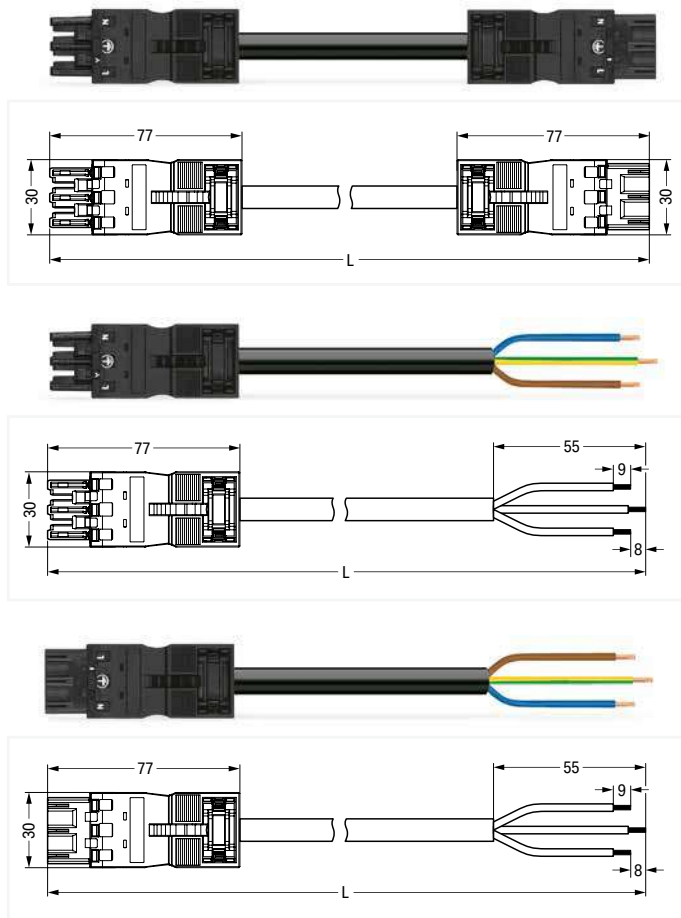
Accessories; for all products on this page

 Locking lever; for flying leads; manually operated			 Locking lever; for flying leads; tool operated			 Mounting carrier; for flying leads; 2- to 5-pole		
Color	Item no.	PU (SPU)	Color	Item no.	PU (SPU)	Color	Item no.	PU
● black	770-101	100 (25)	● black	770-111	100 (25)	● black	770-310	25
○ white	770-121	100 (25)	○ white	770-131	100 (25)			

PU = packaging unit; SPU = subpackaging unit; Dimensions in mm

Cable assembly ▶ WINSTA® MIDI ▶ 771 Series

Pole number: 3 ▶ Fire class per EN 50575: E_{ca} ▶ Coding: A ▶ Protection type: IP2XD ▶ 1.5 mm² ▶ Marking: L ⊕ N ▶ Halogen-free ▶ Sheathed cable diameter: 7.4 ... 9.4 mm ▶ H05Z1Z1-F 3G1.5 ▶ General mains applications






Interconnecting cable ▶ Socket - Plug			
Total length	Connector color / Strain relief color		PU
	black / black	white / white	
1 m	771-6993/016-101	771-6993/016-102	1
2 m	771-6993/016-201	771-6993/016-202	1
3 m	771-6993/016-301	771-6993/016-302	1
4 m	771-6993/016-401	771-6993/016-402	1
5 m	771-6993/016-501	771-6993/016-502	1
6 m	771-6993/016-601	771-6993/016-602	1
7 m	771-6993/016-701	771-6993/016-702	1
8 m	771-6993/016-801	771-6993/016-802	1

Connecting cable ▶ Socket - free end ▶ Strip length (outer insulation): 55 mm			
Total length	Connector color / Strain relief color		PU
	black / black	white / white	
1 m	771-6993/116-101	771-6993/116-102	1
2 m	771-6993/116-201	771-6993/116-202	1
3 m	771-6993/116-301	771-6993/116-302	1
4 m	771-6993/116-401	771-6993/116-402	1
5 m	771-6993/116-501	771-6993/116-502	1
6 m	771-6993/116-601	771-6993/116-602	1
7 m	771-6993/116-701	771-6993/116-702	1
8 m	771-6993/116-801	771-6993/116-802	1

Connecting cable ▶ Plug - free end ▶ Strip length (outer insulation): 55 mm			
Total length	Connector color / Strain relief color		PU
	black / black	white / white	
1 m	771-6993/216-101	771-6993/216-102	1
2 m	771-6993/216-201	771-6993/216-202	1
3 m	771-6993/216-301	771-6993/216-302	1
4 m	771-6993/216-401	771-6993/216-402	1
5 m	771-6993/216-501	771-6993/216-502	1
6 m	771-6993/216-601	771-6993/216-602	1
7 m	771-6993/216-701	771-6993/216-702	1
8 m	771-6993/216-801	771-6993/216-802	1

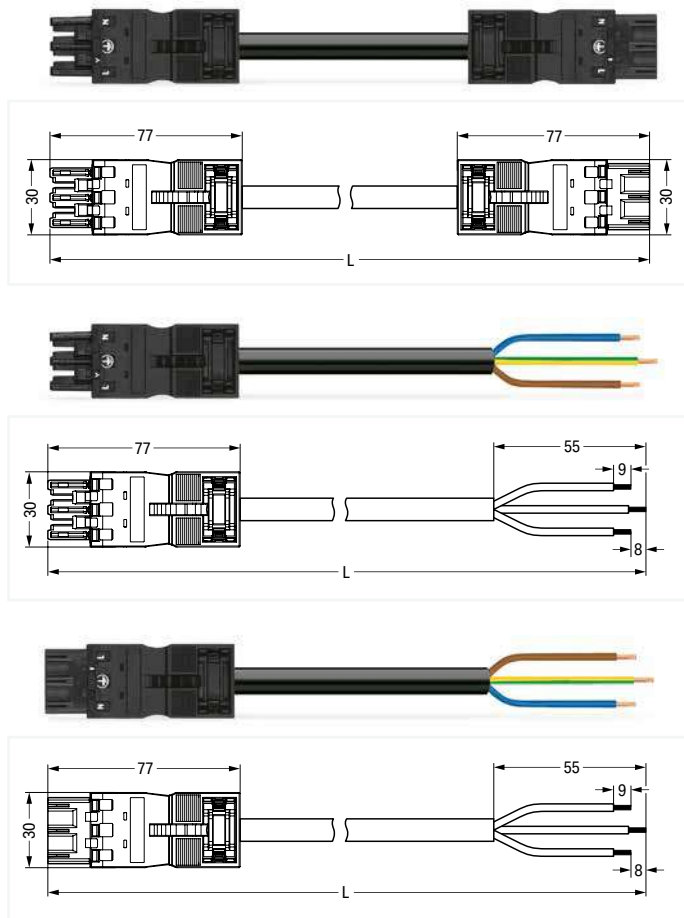
Accessories; for all products on this page

 Locking lever; for flying leads; manually operated			 Locking lever; for flying leads; tool operated			 Mounting carrier; for flying leads; 2- to 5-pole		
Color	Item no.	PU (SPU)	Color	Item no.	PU (SPU)	Color	Item no.	PU
● black	770-101	100 (25)	● black	770-111	100 (25)	● black	770-310	25
○ white	770-121	100 (25)	○ white	770-131	100 (25)			

PU = packaging unit; SPU = subpackaging unit; Dimensions in mm

Cable assembly ▶ WINSTA® MIDI ▶ 771 Series

Pole number: 3 ▶ Fire class per EN 50575: E_{ca} ▶ Coding: A ▶ Protection type: IP2XD ▶ 2.5 mm² ▶ Marking: L ⊕ N ▶ PVC ▶ Sheathed cable diameter: 9.2 ... 11.4 mm ▶ H05VV-F 3G2.5 ▶ General mains applications






Interconnecting cable ▶ Socket - Plug			
Total length	Connector color / Strain relief color		PU
	black / black	white / white	
1 m	771-6993/007-101	771-6993/007-102	1
2 m	771-6993/007-201	771-6993/007-202	1
3 m	771-6993/007-301	771-6993/007-302	1
4 m	771-6993/007-401	771-6993/007-402	1
5 m	771-6993/007-501	771-6993/007-502	1
6 m	771-6993/007-601	771-6993/007-602	1
7 m	771-6993/007-701	771-6993/007-702	1
8 m	771-6993/007-801	771-6993/007-802	1

Connecting cable ▶ Socket - free end ▶ Strip length (outer insulation): 55 mm			
Total length	Connector color / Strain relief color		PU
	black / black	white / white	
1 m	771-6993/107-101	771-6993/107-102	1
2 m	771-6993/107-201	771-6993/107-202	1
3 m	771-6993/107-301	771-6993/107-302	1
4 m	771-6993/107-401	771-6993/107-402	1
5 m	771-6993/107-501	771-6993/107-502	1
6 m	771-6993/107-601	771-6993/107-602	1
7 m	771-6993/107-701	771-6993/107-702	1
8 m	771-6993/107-801	771-6993/107-802	1

Connecting cable ▶ Plug - free end ▶ Strip length (outer insulation): 55 mm			
Total length	Connector color / Strain relief color		PU
	black / black	white / white	
1 m	771-6993/207-101	771-6993/207-102	1
2 m	771-6993/207-201	771-6993/207-202	1
3 m	771-6993/207-301	771-6993/207-302	1
4 m	771-6993/207-401	771-6993/207-402	1
5 m	771-6993/207-501	771-6993/207-502	1
6 m	771-6993/207-601	771-6993/207-602	1
7 m	771-6993/207-701	771-6993/207-702	1
8 m	771-6993/207-801	771-6993/207-802	1

2

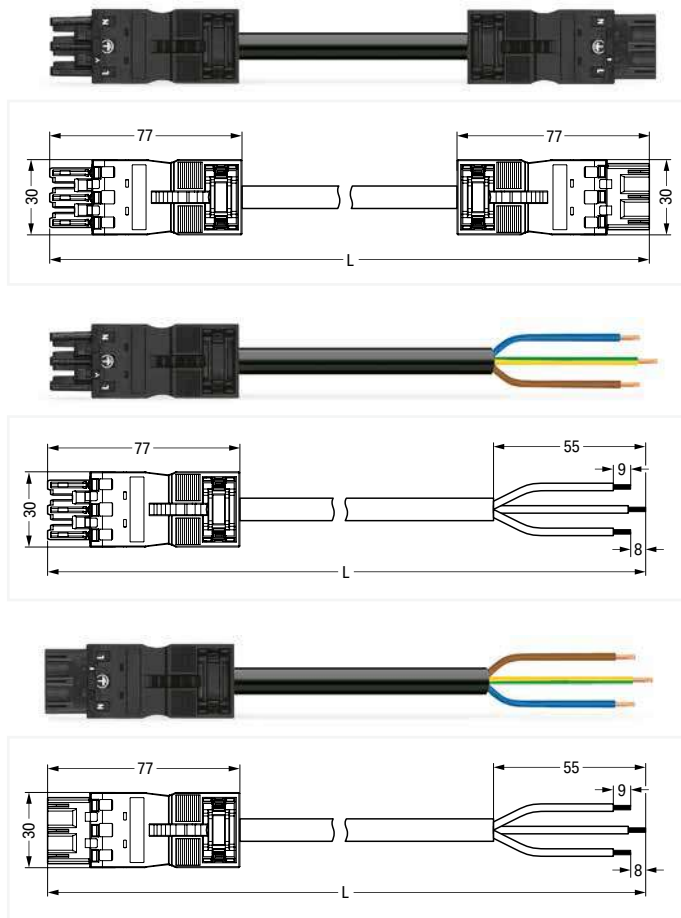
Accessories; for all products on this page

 Locking lever; for flying leads; manually operated			 Locking lever; for flying leads; tool operated			 Mounting carrier; for flying leads; 2- to 5-pole		
Color	Item no.	PU (SPU)	Color	Item no.	PU (SPU)	Color	Item no.	PU
● black	770-101	100 (25)	● black	770-111	100 (25)	● black	770-310	25
○ white	770-121	100 (25)	○ white	770-131	100 (25)			

PU = packaging unit; SPU = subpackaging unit; Dimensions in mm

Cable assembly ▶ WINSTA® MIDI ▶ 771 Series

Pole number: 3 ▶ Fire class per EN 50575: E_{ca} ▶ Coding: A ▶ Protection type: IP2XD ▶ 2.5 mm² ▶ Marking: L ⊕ N ▶ Halogen-free ▶ Sheathed cable diameter: 9.2 ... 11.4 mm ▶ H05Z1Z1-F 3G2.5 ▶ General mains applications






Interconnecting cable ▶ Socket - Plug			
Total length	Connector color / Strain relief color		PU
	black / black	white / white	
1 m	771-6993/017-101	771-6993/017-102	1
2 m	771-6993/017-201	771-6993/017-202	1
3 m	771-6993/017-301	771-6993/017-302	1
4 m	771-6993/017-401	771-6993/017-402	1
5 m	771-6993/017-501	771-6993/017-502	1
6 m	771-6993/017-601	771-6993/017-602	1
7 m	771-6993/017-701	771-6993/017-702	1
8 m	771-6993/017-801	771-6993/017-802	1

Connecting cable ▶ Socket - free end ▶ Strip length (outer insulation): 55 mm			
Total length	Connector color / Strain relief color		PU
	black / black	white / white	
1 m	771-6993/117-101	771-6993/117-102	1
2 m	771-6993/117-201	771-6993/117-202	1
3 m	771-6993/117-301	771-6993/117-302	1
4 m	771-6993/117-401	771-6993/117-402	1
5 m	771-6993/117-501	771-6993/117-502	1
6 m	771-6993/117-601	771-6993/117-602	1
7 m	771-6993/117-701	771-6993/117-702	1
8 m	771-6993/117-801	771-6993/117-802	1

Connecting cable ▶ Plug - free end ▶ Strip length (outer insulation): 55 mm			
Total length	Connector color / Strain relief color		PU
	black / black	white / white	
1 m	771-6993/217-101	771-6993/217-102	1
2 m	771-6993/217-201	771-6993/217-202	1
3 m	771-6993/217-301	771-6993/217-302	1
4 m	771-6993/217-401	771-6993/217-402	1
5 m	771-6993/217-501	771-6993/217-502	1
6 m	771-6993/217-601	771-6993/217-602	1
7 m	771-6993/217-701	771-6993/217-702	1
8 m	771-6993/217-801	771-6993/217-802	1

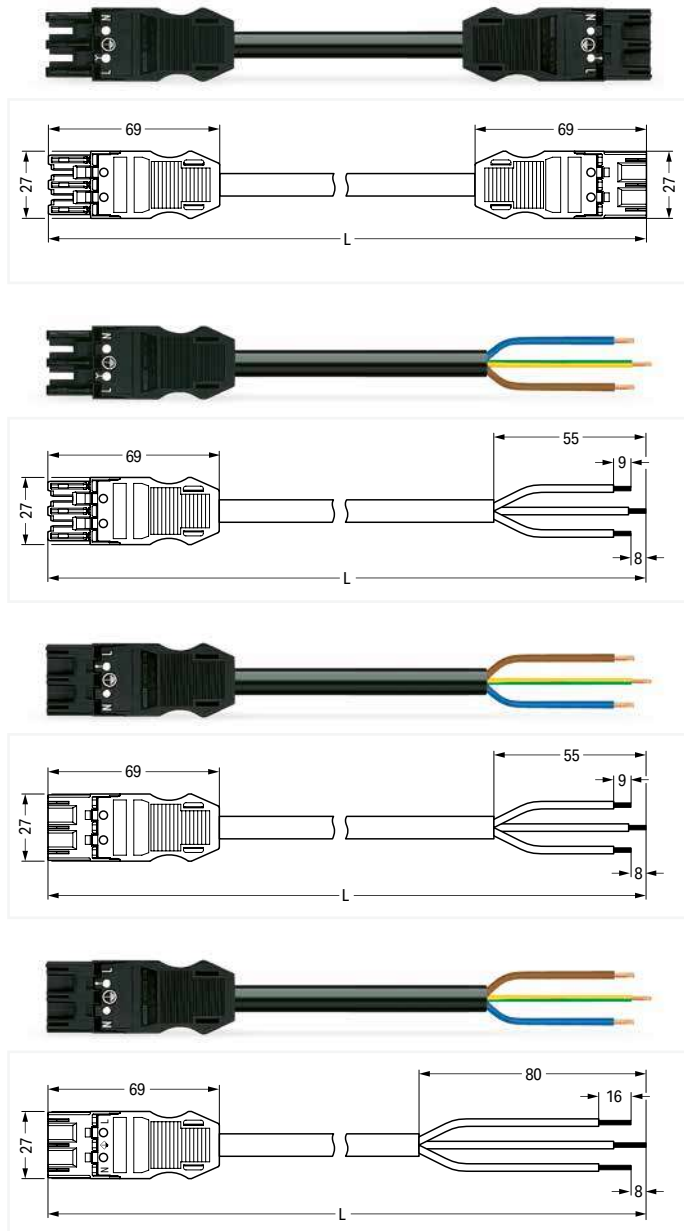
Accessories; for all products on this page

 Locking lever; for flying leads; manually operated			 Locking lever; for flying leads; tool operated			 Mounting carrier; for flying leads; 2- to 5-pole		
Color	Item no.	PU (SPU)	Color	Item no.	PU (SPU)	Color	Item no.	PU
● black	770-101	100 (25)	● black	770-111	100 (25)	● black	770-310	25
○ white	770-121	100 (25)	○ white	770-131	100 (25)			

PU = packaging unit; SPU = subpackaging unit; Dimensions in mm

Cable assembly ▶ WINSTA® MIDI ▶ 771 Series

Pole number: 3 ▶ Fire class per EN 50575: E_{ca} ▶ Coding: A ▶ Protection type: IP20 ▶ 1.5 mm² ▶ Marking: L ⊕ N ▶ PVC ▶ Sheathed cable diameter: 7.4 ... 9.4 mm ▶ H05VV-F 3G1.5 ▶ General mains applications






Interconnecting cable ▶ Socket - Plug			
Total length	Connector color / Strain relief color		PU
	black / black	white / white	
1 m	771-9993/006-101	771-9993/006-102	1
2 m	771-9993/006-201	771-9993/006-202	1
3 m	771-9993/006-301	771-9993/006-302	1
4 m	771-9993/006-401	771-9993/006-402	1
5 m	771-9993/006-501	771-9993/006-502	1
6 m	771-9993/006-601	771-9993/006-602	1
7 m	771-9993/006-701	771-9993/006-702	1
8 m	771-9993/006-801	771-9993/006-802	1

Connecting cable ▶ Socket - free end ▶ Strip length (outer insulation): 55 mm			
Total length	Connector color / Strain relief color		PU
	black / black	white / white	
1 m	771-9993/106-101	771-9993/106-102	1
2 m	771-9993/106-201	771-9993/106-202	1
3 m	771-9993/106-301	771-9993/106-302	1
4 m	771-9993/106-401	771-9993/106-402	1
5 m	771-9993/106-501	771-9993/106-502	1
6 m	771-9993/106-601	771-9993/106-602	1
7 m	771-9993/106-701	771-9993/106-702	1
8 m	771-9993/106-801	771-9993/106-802	1

Connecting cable ▶ Plug - free end ▶ Strip length (outer insulation): 55 mm			
Total length	Connector color / Strain relief color		PU
	black / black	white / white	
1 m	771-9993/206-101	771-9993/206-102	1
2 m	771-9993/206-201	771-9993/206-202	1
3 m	771-9993/206-301	771-9993/206-302	1
4 m	771-9993/206-401	771-9993/206-402	1
5 m	771-9993/206-501	771-9993/206-502	1
6 m	771-9993/206-601	771-9993/206-602	1
7 m	771-9993/206-701	771-9993/206-702	1
8 m	771-9993/206-801	771-9993/206-802	1

Connecting cable ▶ Plug - free end ▶ Strip length (outer insulation): 80 mm ▶ for switches and outlet installation			
Total length	Connector color / Strain relief color		PU
	black / black	white / white	
1 m	771-9993/3206-101		1
2 m	771-9993/3206-201		1
3 m	771-9993/3206-301		1
4 m	771-9993/3206-401		1
5 m	771-9993/3206-501		1
6 m	771-9993/3206-601		1
7 m	771-9993/3206-701		1
8 m	771-9993/3206-801		1

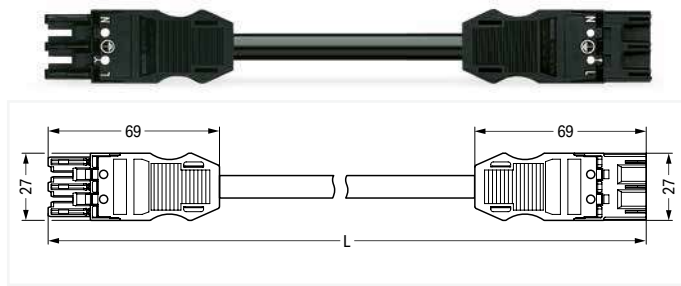
Accessories; for all products on this page

 Locking lever; for flying leads; manually operated			 Locking lever; for flying leads; tool operated			 Mounting carrier; for flying leads; 2- to 5-pole		
Color	Item no.	PU (SPU)	Color	Item no.	PU (SPU)	Color	Item no.	PU
● black	770-101	100 (25)	● black	770-111	100 (25)	● black	770-310	25
○ white	770-121	100 (25)	○ white	770-131	100 (25)			

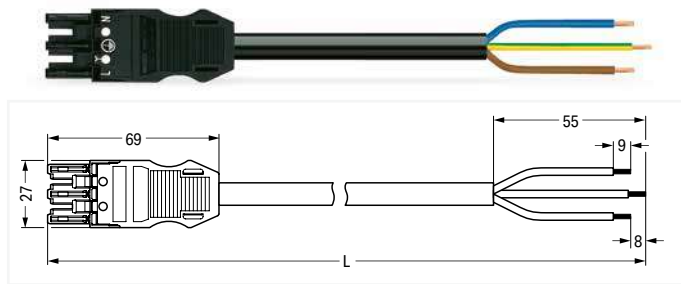
PU = packaging unit; SPU = subpackaging unit; Dimensions in mm

Cable assembly ▶ WINSTA® MIDI ▶ 771 Series

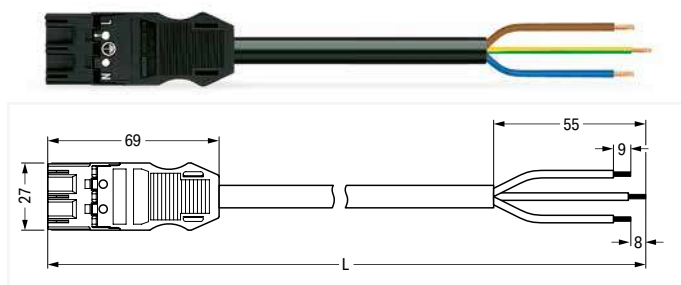
Pole number: 3 ▶ Fire class per EN 50575: E_{ca} ▶ Coding: A ▶ Protection type: IP20 ▶ 1.5 mm² ▶ Marking: L ⊕ N ▶ Halogen-free ▶ Sheathed cable diameter: 7.4 ... 9.4 mm ▶ H05Z1Z1-F 3G1.5 ▶ General mains applications



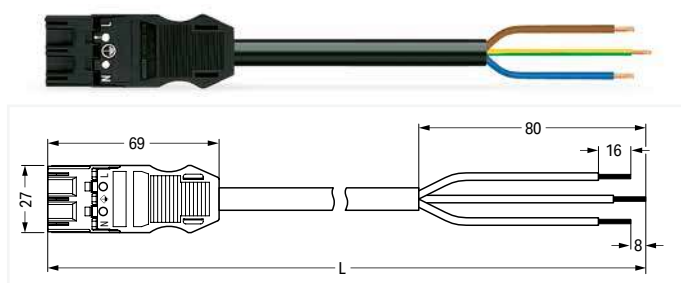
Total length	Connector color / Strain relief color		PU
	black / black	white / white	
1 m	771-9993/016-101	771-9993/016-102	1
2 m	771-9993/016-201	771-9993/016-202	1
3 m	771-9993/016-301	771-9993/016-302	1
4 m	771-9993/016-401	771-9993/016-402	1
5 m	771-9993/016-501	771-9993/016-502	1
6 m	771-9993/016-601	771-9993/016-602	1
7 m	771-9993/016-701	771-9993/016-702	1
8 m	771-9993/016-801	771-9993/016-802	1



Total length	Connector color / Strain relief color		PU
	black / black	white / white	
1 m	771-9993/116-101	771-9993/116-102	1
2 m	771-9993/116-201	771-9993/116-202	1
3 m	771-9993/116-301	771-9993/116-302	1
4 m	771-9993/116-401	771-9993/116-402	1
5 m	771-9993/116-501	771-9993/116-502	1
6 m	771-9993/116-601	771-9993/116-602	1
7 m	771-9993/116-701	771-9993/116-702	1
8 m	771-9993/116-801	771-9993/116-802	1



Total length	Connector color / Strain relief color		PU
	black / black	white / white	
1 m	771-9993/216-101	771-9993/216-102	1
2 m	771-9993/216-201	771-9993/216-202	1
3 m	771-9993/216-301	771-9993/216-302	1
4 m	771-9993/216-401	771-9993/216-402	1
5 m	771-9993/216-501	771-9993/216-502	1
6 m	771-9993/216-601	771-9993/216-602	1
7 m	771-9993/216-701	771-9993/216-702	1
8 m	771-9993/216-801	771-9993/216-802	1



Total length	Connector color / Strain relief color		PU
	black / black	white / white	
1 m	771-9993/3216-101		1
2 m	771-9993/3216-201		1
3 m	771-9993/3216-301		1
4 m	771-9993/3216-401		1
5 m	771-9993/3216-501		1
6 m	771-9993/3216-601		1
7 m	771-9993/3216-701		1
8 m	771-9993/3216-801		1

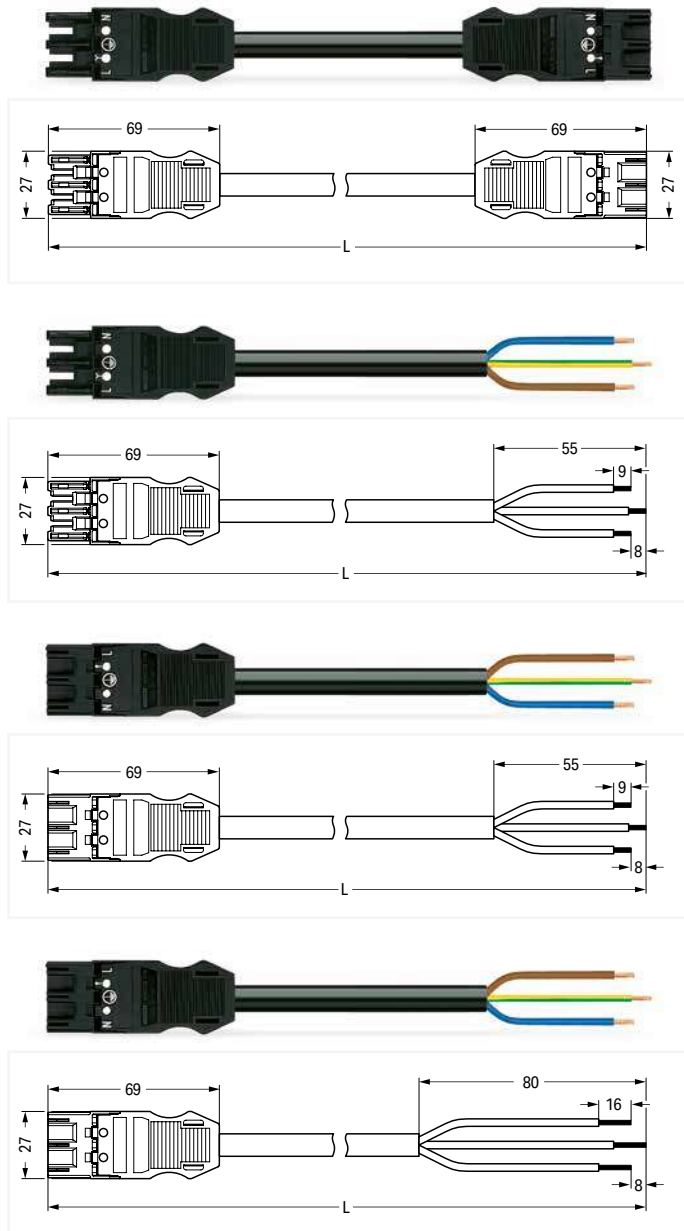
Accessories; for all products on this page

Locking lever; for flying leads; manually operated			Locking lever; for flying leads; tool operated			Mounting carrier; for flying leads; 2- to 5-pole		
Color	Item no.	PU (SPU)	Color	Item no.	PU (SPU)	Color	Item no.	PU
● black	770-101	100 (25)	● black	770-111	100 (25)	● black	770-310	25
○ white	770-121	100 (25)	○ white	770-131	100 (25)			

PU = packaging unit; SPU = subpackaging unit; Dimensions in mm

Cable assembly ▶ WINSTA® MIDI ▶ 771 Series

Pole number: 3 ▶ Fire class per EN 50575: E_{ca} ▶ Coding: A ▶ Protection type: IP20 ▶ 2.5 mm² ▶ Marking: L ⊕ N ▶ PVC ▶ Sheathed cable diameter: 9.2 ... 11.4 mm ▶ H05VV-F 3G2.5 ▶ General mains applications






Total length	Connector color / Strain relief color		PU
	black / black	white / white	
1 m	771-9993/007-101	771-9993/007-102	1
2 m	771-9993/007-201	771-9993/007-202	1
3 m	771-9993/007-301	771-9993/007-302	1
4 m	771-9993/007-401	771-9993/007-402	1
5 m	771-9993/007-501	771-9993/007-502	1
6 m	771-9993/007-601	771-9993/007-602	1
7 m	771-9993/007-701	771-9993/007-702	1
8 m	771-9993/007-801	771-9993/007-802	1

Total length	Connector color / Strain relief color		PU
	black / black	white / white	
1 m	771-9993/107-101	771-9993/107-102	1
2 m	771-9993/107-201	771-9993/107-202	1
3 m	771-9993/107-301	771-9993/107-302	1
4 m	771-9993/107-401	771-9993/107-402	1
5 m	771-9993/107-501	771-9993/107-502	1
6 m	771-9993/107-601	771-9993/107-602	1
7 m	771-9993/107-701	771-9993/107-702	1
8 m	771-9993/107-801	771-9993/107-802	1

Total length	Connector color / Strain relief color		PU
	black / black	white / white	
1 m	771-9993/207-101	771-9993/207-102	1
2 m	771-9993/207-201	771-9993/207-202	1
3 m	771-9993/207-301	771-9993/207-302	1
4 m	771-9993/207-401	771-9993/207-402	1
5 m	771-9993/207-501	771-9993/207-502	1
6 m	771-9993/207-601	771-9993/207-602	1
7 m	771-9993/207-701	771-9993/207-702	1
8 m	771-9993/207-801	771-9993/207-802	1

Total length	Connector color / Strain relief color		PU
	black / black	white / black	
1 m	771-9993/3207-101		1
2 m	771-9993/3207-201		1
3 m	771-9993/3207-301		1
4 m	771-9993/3207-401		1
5 m	771-9993/3207-501		1
6 m	771-9993/3207-601		1
7 m	771-9993/3207-701		1
8 m	771-9993/3207-801		1

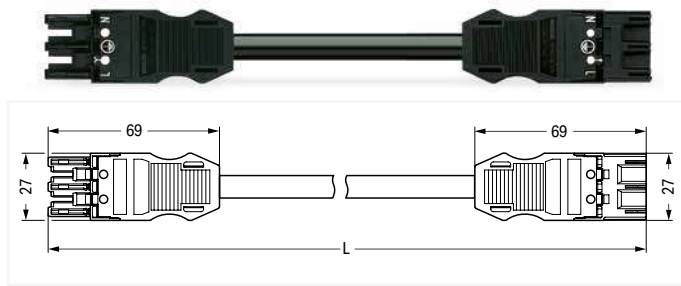
Accessories; for all products on this page

 Locking lever; for flying leads; manually operated			 Locking lever; for flying leads; tool operated			 Mounting carrier; for flying leads; 2- to 5-pole		
Color	Item no.	PU (SPU)	Color	Item no.	PU (SPU)	Color	Item no.	PU
● black	770-101	100 (25)	● black	770-111	100 (25)	● black	770-310	25
○ white	770-121	100 (25)	○ white	770-131	100 (25)			

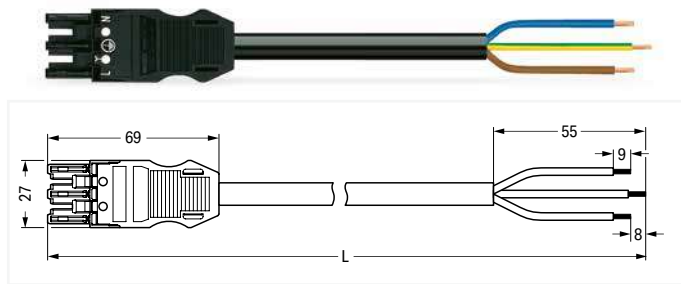
PU = packaging unit; SPU = subpackaging unit; Dimensions in mm

Cable assembly ▶ WINSTA® MIDI ▶ 771 Series

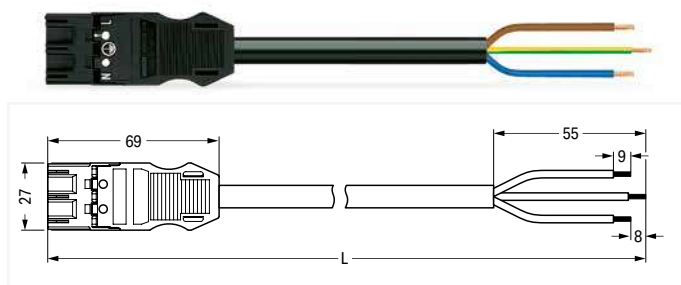
Pole number: 3 ▶ Fire class per EN 50575: E_{ca} ▶ Coding: A ▶ Protection type: IP20 ▶ 2.5 mm² ▶ Marking: L ⊕ N ▶ Halogen-free ▶ Sheathed cable diameter: 9.2 ... 11.4 mm ▶ H05Z1Z1-F 3G2.5 ▶ General mains applications



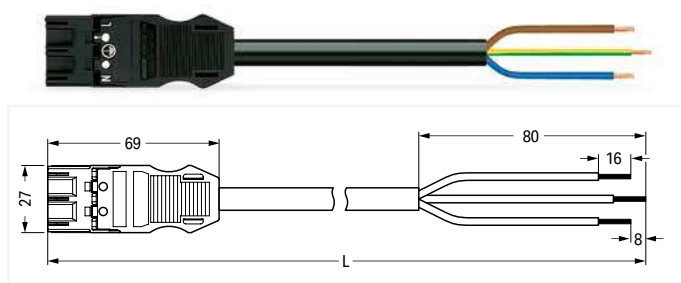
Interconnecting cable ▶ Socket - Plug			
Total length	Connector color / Strain relief color		PU
	black / black	white / white	
1 m	771-9993/017-101	771-9993/017-102	1
2 m	771-9993/017-201	771-9993/017-202	1
3 m	771-9993/017-301	771-9993/017-302	1
4 m	771-9993/017-401	771-9993/017-402	1
5 m	771-9993/017-501	771-9993/017-502	1
6 m	771-9993/017-601	771-9993/017-602	1
7 m	771-9993/017-701	771-9993/017-702	1
8 m	771-9993/017-801	771-9993/017-802	1



Connecting cable ▶ Socket - free end ▶ Strip length (outer insulation): 55 mm			
Total length	Connector color / Strain relief color		PU
	black / black	white / white	
1 m	771-9993/117-101	771-9993/117-102	1
2 m	771-9993/117-201	771-9993/117-202	1
3 m	771-9993/117-301	771-9993/117-302	1
4 m	771-9993/117-401	771-9993/117-402	1
5 m	771-9993/117-501	771-9993/117-502	1
6 m	771-9993/117-601	771-9993/117-602	1
7 m	771-9993/117-701	771-9993/117-702	1
8 m	771-9993/117-801	771-9993/117-802	1






Connecting cable ▶ Plug - free end ▶ Strip length (outer insulation): 55 mm			
Total length	Connector color / Strain relief color		PU
	black / black	white / white	
1 m	771-9993/217-101	771-9993/217-102	1
2 m	771-9993/217-201	771-9993/217-202	1
3 m	771-9993/217-301	771-9993/217-302	1
4 m	771-9993/217-401	771-9993/217-402	1
5 m	771-9993/217-501	771-9993/217-502	1
6 m	771-9993/217-601	771-9993/217-602	1
7 m	771-9993/217-701	771-9993/217-702	1
8 m	771-9993/217-801	771-9993/217-802	1



Connecting cable ▶ Plug - free end ▶ Strip length (outer insulation): 80 mm ▶ for switches and outlet installation			
Total length	Connector color / Strain relief color		PU
	black / black	white / white	
1 m	771-9993/3217-101		1
2 m	771-9993/3217-201		1
3 m	771-9993/3217-301		1
4 m	771-9993/3217-401		1
5 m	771-9993/3217-501		1
6 m	771-9993/3217-601		1
7 m	771-9993/3217-701		1
8 m	771-9993/3217-801		1

Accessories; for all products on this page

 Locking lever; for flying leads; manually operated			 Locking lever; for flying leads; tool operated			 Mounting carrier; for flying leads; 2- to 5-pole		
Color	Item no.	PU (SPU)	Color	Item no.	PU (SPU)	Color	Item no.	PU
● black	770-101	100 (25)	● black	770-111	100 (25)	● black	770-310	25
○ white	770-121	100 (25)	○ white	770-131	100 (25)			

PU = packaging unit; SPU = subpackaging unit; Dimensions in mm

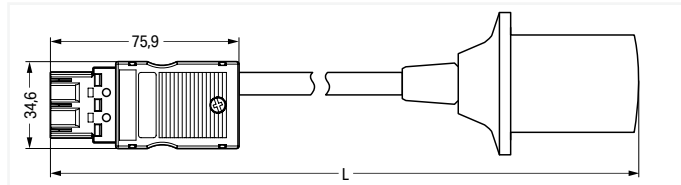
Cable assembly ▶ WINSTA® MIDI ▶ 771 Series

Pole number: 3 ▶ Fire class per EN 50575: E_{ca} ▶ Coding: A ▶ Protection type: IP20 ▶ Marking: L ⊕ N ▶ PVC ▶ General mains applications



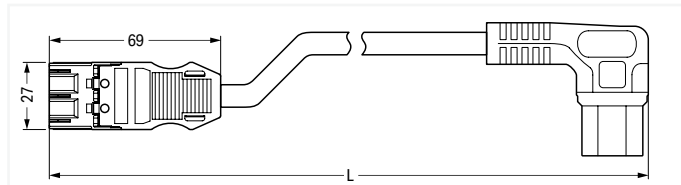
0.75 mm² ▶ Sheathed cable diameter: 5.7 ... 7.2 mm ▶ Adapter cable ▶ Plug - E 27 lamp socket

Total length	Connector color / Strain relief color		PU
	black / black		
0.5 m	771-8993/1004-051		1



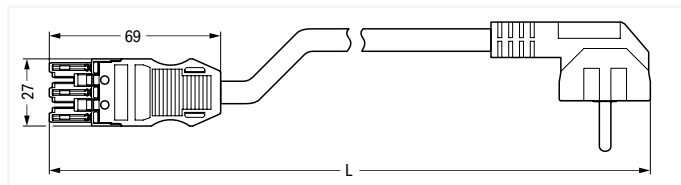
1 mm² ▶ Sheathed cable diameter: 6.3 ... 8 mm ▶ H05VV-F 3G1 ▶ Adapter cable ▶ Plug - Cold equipment coupling (angled)

Total length	Connector color / Strain relief color		PU
	black / black	white / white	
1 m	771-9993/805-101	771-9993/805-102	1
2 m	771-9993/805-201	771-9993/805-202	1
3 m	771-9993/805-301	771-9993/805-302	1



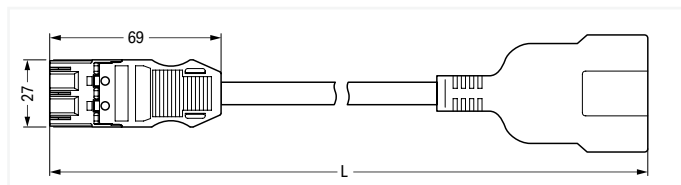
1.5 mm² ▶ Sheathed cable diameter: 7.4 ... 9.4 mm ▶ H05VV-F 3G1.5 ▶ Adapter cable ▶ Socket - SCHUKO plug, angled

Total length	Connector color / Strain relief color		PU
	black / black	white / white	
1 m	771-9993/306-101	771-9993/306-102	1
2 m	771-9993/306-201	771-9993/306-202	1
3 m	771-9993/306-301	771-9993/306-302	1



1.5 mm² ▶ Sheathed cable diameter: 7.4 ... 9.4 mm ▶ H05VV-F 3G1.5 ▶ Adapter cable ▶ Plug - SCHUKO socket

Total length	Connector color / Strain relief color		PU
	black / black	white / white	
1 m	771-9993/406-101	771-9993/406-102	1
2 m	771-9993/406-201	771-9993/406-202	1
3 m	771-9993/406-301	771-9993/406-302	1



Accessories; for all products on this page



Locking lever; for flying leads; manually operated



Locking lever; for flying leads; tool operated



Mounting carrier; for flying leads; 2- to 5-pole

Color	Item no.	PU (SPU)
● black	770-101	100 (25)
○ white	770-121	100 (25)

Color	Item no.	PU (SPU)
● black	770-111	100 (25)
○ white	770-131	100 (25)

Color	Item no.	PU
● black	770-310	25

PU = packaging unit; SPU = subpackaging unit; Dimensions in mm

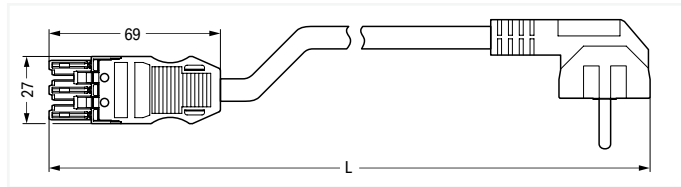
Cable assembly ▶ WINSTA® MIDI ▶ 771 Series

Pole number: 3 ▶ Fire class per EN 50575: E_{ca} ▶ Coding: A ▶ Protection type: IP20 ▶ Marking: L ⊕ N
 ▶ PVC ▶ General mains applications



2.5 mm² ▶ Sheathed cable diameter: 9.2 ... 11.4 mm ▶ H05VV-F 3G2.5 ▶ Adapter cable
 ▶ Socket - SCHUKO plug, angled

Total length	Connector color / Strain relief color		PU
	black / black	white / white	
1 m	771-9993/307-101	771-9993/307-102	1
2 m	771-9993/307-201	771-9993/307-202	1
3 m	771-9993/307-301	771-9993/307-302	1



2

Accessories; for all products on this page



Locking lever; for flying leads; manually operated



Locking lever; for flying leads; tool operated



Mounting carrier; for flying leads; 2- to 5-pole

Color	Item no.	PU (SPU)
● black	770-101	100 (25)
○ white	770-121	100 (25)

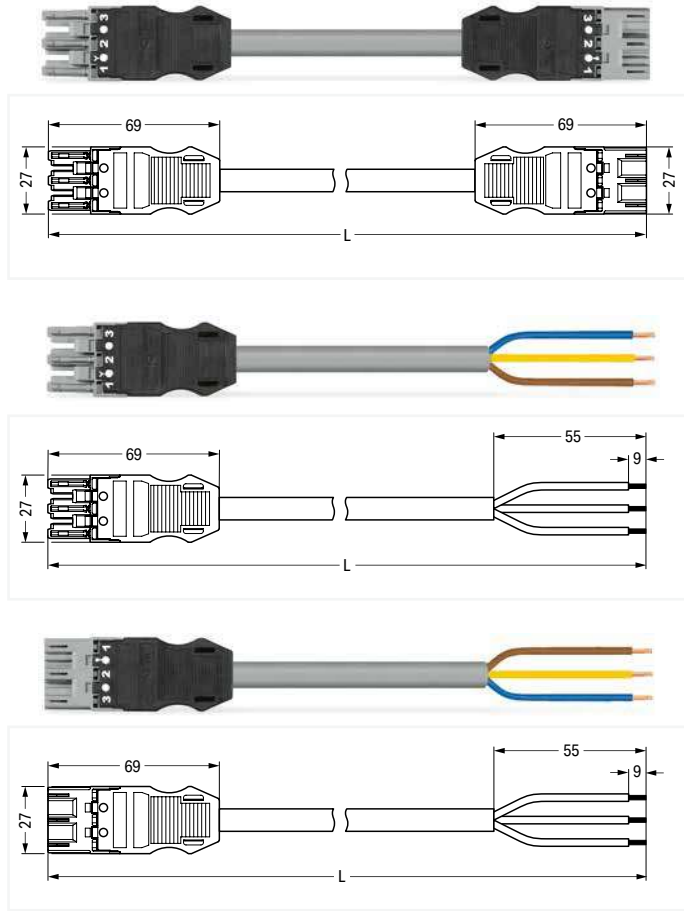
Color	Item no.	PU (SPU)
● black	770-111	100 (25)
○ white	770-131	100 (25)

Color	Item no.	PU
● black	770-310	25

PU = packaging unit; SPU = subpackaging unit; Dimensions in mm

Cable assembly ▶ WINSTA® MIDI ▶ 771 Series

Pole number: 3 ▶ Fire class per EN 50575: E_{ca} ▶ Coding: B ▶ Protection type: IP20 ▶ 1 mm² ▶ Marking: 1 2 3 ▶ PVC ▶ Sheathed cable diameter: 6.3 ... 8 mm ▶ Control line 3 x 1 ▶ Control technology



Interconnecting cable ▶ Socket - Plug

Total length	Connector color / Strain relief color			PU
	gray / black	light green / black	pink / black	
1 m	771-9993/005-103	771-9993/005-105	771-9993/005-107	1
2 m	771-9993/005-203	771-9993/005-205	771-9993/005-207	1
3 m	771-9993/005-303	771-9993/005-305	771-9993/005-307	1
4 m	771-9993/005-403	771-9993/005-405	771-9993/005-407	1
5 m	771-9993/005-503	771-9993/005-505	771-9993/005-507	1
6 m	771-9993/005-603	771-9993/005-605	771-9993/005-607	1
7 m	771-9993/005-703	771-9993/005-705	771-9993/005-707	1
8 m	771-9993/005-803	771-9993/005-805	771-9993/005-807	1

Connecting cable ▶ Socket - free end ▶ Strip length (outer insulation): 55 mm




Total length	Connector color / Strain relief color			PU
	gray / black	light green / black	pink / black	
1 m	771-9993/105-103	771-9993/105-105	771-9993/105-107	1
2 m	771-9993/105-203	771-9993/105-205	771-9993/105-207	1
3 m	771-9993/105-303	771-9993/105-305	771-9993/105-307	1
4 m	771-9993/105-403	771-9993/105-405	771-9993/105-407	1
5 m	771-9993/105-503	771-9993/105-505	771-9993/105-507	1
6 m	771-9993/105-603	771-9993/105-605	771-9993/105-607	1
7 m	771-9993/105-703	771-9993/105-705	771-9993/105-707	1
8 m	771-9993/105-803	771-9993/105-805	771-9993/105-807	1

Connecting cable ▶ Plug - free end ▶ Strip length (outer insulation): 55 mm

Total length	Connector color / Strain relief color			PU
	gray / black	light green / black	pink / black	
1 m	771-9993/205-103	771-9993/205-105	771-9993/205-107	1
2 m	771-9993/205-203	771-9993/205-205	771-9993/205-207	1
3 m	771-9993/205-303	771-9993/205-305	771-9993/205-307	1
4 m	771-9993/205-403	771-9993/205-405	771-9993/205-407	1
5 m	771-9993/205-503	771-9993/205-505	771-9993/205-507	1
6 m	771-9993/205-603	771-9993/205-605	771-9993/205-607	1
7 m	771-9993/205-703	771-9993/205-705	771-9993/205-707	1
8 m	771-9993/205-803	771-9993/205-805	771-9993/205-807	1

2

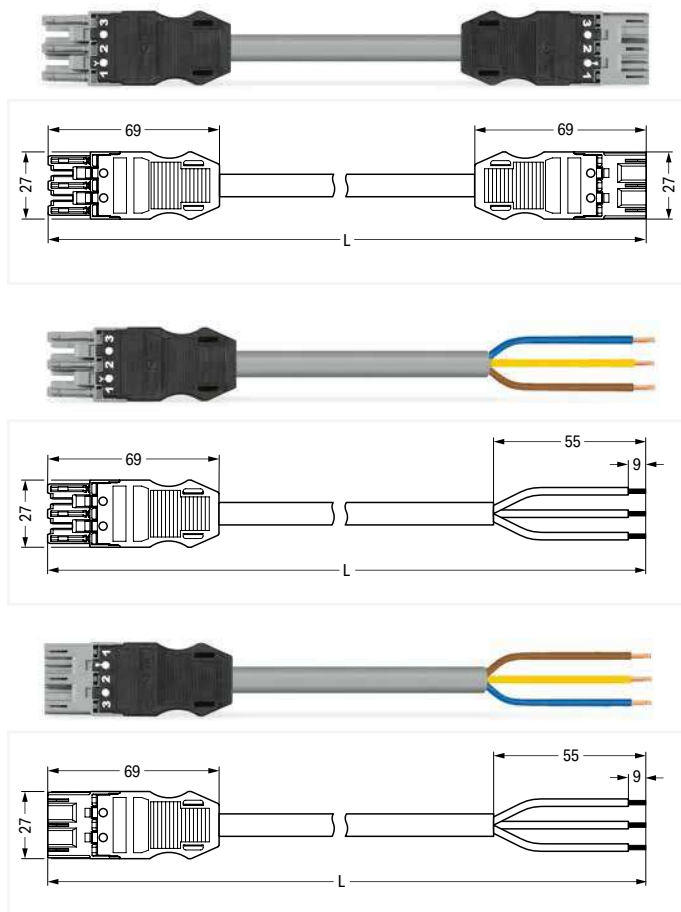
Accessories; for all products on this page

 Locking lever; for flying leads; manually operated			 Locking lever; for flying leads; tool operated			 Mounting carrier; for flying leads; 2- to 5-pole		
Color	Item no.	PU (SPU)	Color	Item no.	PU (SPU)	Color	Item no.	PU
● black	770-101	100 (25)	● black	770-111	100 (25)	● black	770-310	25
○ white	770-121	100 (25)	○ white	770-131	100 (25)			

PU = packaging unit; SPU = subpackaging unit; Dimensions in mm

Cable assembly ▶ WINSTA® MIDI ▶ 771 Series

Pole number: 3 ▶ Fire class per EN 50575: E_{ca} ▶ Coding: B ▶ Protection type: IP20 ▶ 1.5 mm² ▶ Marking: 1 2 3 ▶ PVC ▶ Sheathed cable diameter: 7.4 ... 9.4 mm ▶ Control line 3 x 1.5 ▶ Control technology






Interconnecting cable ▶ Socket - Plug				
Total length	Connector color / Strain relief color			PU
	gray / black	light green / black	pink / black	
1 m	771-9993/006-103	771-9993/006-105	771-9993/006-107	1
2 m	771-9993/006-203	771-9993/006-205	771-9993/006-207	1
3 m	771-9993/006-303	771-9993/006-305	771-9993/006-307	1
4 m	771-9993/006-403	771-9993/006-405	771-9993/006-407	1
5 m	771-9993/006-503	771-9993/006-505	771-9993/006-507	1
6 m	771-9993/006-603	771-9993/006-605	771-9993/006-607	1
7 m	771-9993/006-703	771-9993/006-705	771-9993/006-707	1
8 m	771-9993/006-803	771-9993/006-805	771-9993/006-807	1

Connecting cable ▶ Socket - free end ▶ Strip length (outer insulation): 55 mm				
Total length	Connector color / Strain relief color			PU
	gray / black	light green / black	pink / black	
1 m	771-9993/106-103	771-9993/106-105	771-9993/106-107	1
2 m	771-9993/106-203	771-9993/106-205	771-9993/106-207	1
3 m	771-9993/106-303	771-9993/106-305	771-9993/106-307	1
4 m	771-9993/106-403	771-9993/106-405	771-9993/106-407	1
5 m	771-9993/106-503	771-9993/106-505	771-9993/106-507	1
6 m	771-9993/106-603	771-9993/106-605	771-9993/106-607	1
7 m	771-9993/106-703	771-9993/106-705	771-9993/106-707	1
8 m	771-9993/106-803	771-9993/106-805	771-9993/106-807	1

Connecting cable ▶ Plug - free end ▶ Strip length (outer insulation): 55 mm				
Total length	Connector color / Strain relief color			PU
	gray / black	light green / black	pink / black	
1 m	771-9993/206-103	771-9993/206-105	771-9993/206-107	1
2 m	771-9993/206-203	771-9993/206-205	771-9993/206-207	1
3 m	771-9993/206-303	771-9993/206-305	771-9993/206-307	1
4 m	771-9993/206-403	771-9993/206-405	771-9993/206-407	1
5 m	771-9993/206-503	771-9993/206-505	771-9993/206-507	1
6 m	771-9993/206-603	771-9993/206-605	771-9993/206-607	1
7 m	771-9993/206-703	771-9993/206-705	771-9993/206-707	1
8 m	771-9993/206-803	771-9993/206-805	771-9993/206-807	1

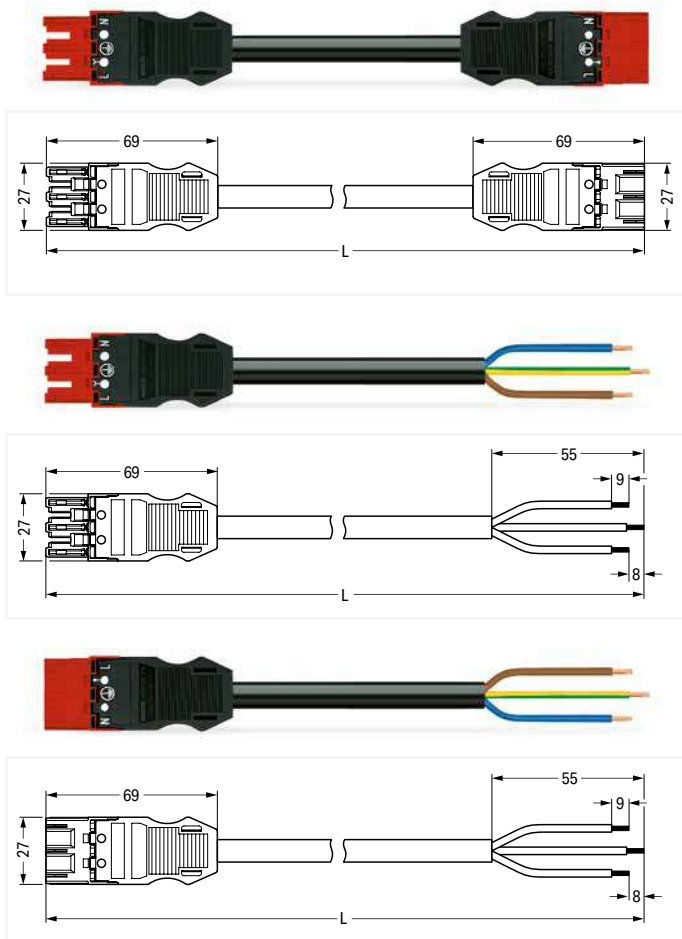
Accessories; for all products on this page

 Locking lever; for flying leads; manually operated			 Locking lever; for flying leads; tool operated			 Mounting carrier; for flying leads; 2- to 5-pole		
Color	Item no.	PU (SPU)	Color	Item no.	PU (SPU)	Color	Item no.	PU
● black	770-101	100 (25)	● black	770-111	100 (25)	● black	770-310	25
○ white	770-121	100 (25)	○ white	770-131	100 (25)			

PU = packaging unit; SPU = subpackaging unit; Dimensions in mm

Cable assembly ▶ WINSTA® MIDI ▶ 771 Series

Pole number: 3 ▶ Fire class per EN 50575: E_{ca} ▶ Coding: P ▶ Protection type: IP20 ▶ 1.5 mm² ▶ Marking: L ⊕ N ▶ PVC ▶ Sheathed cable diameter: 7.4 ... 9.4 mm ▶ H05VV-F 3G1.5 ▶ EDV (UPS)






Total length	Connector color / Strain relief color		PU
	red / black	red / white	
1 m	771-9973/006-101	771-9973/006-102	1
2 m	771-9973/006-201	771-9973/006-202	1
3 m	771-9973/006-301	771-9973/006-302	1
4 m	771-9973/006-401	771-9973/006-402	1
5 m	771-9973/006-501	771-9973/006-502	1
6 m	771-9973/006-601	771-9973/006-602	1
7 m	771-9973/006-701	771-9973/006-702	1
8 m	771-9973/006-801	771-9973/006-802	1

Total length	Connector color / Strain relief color		PU
	red / black	red / white	
1 m	771-9973/106-101	771-9973/106-102	1
2 m	771-9973/106-201	771-9973/106-202	1
3 m	771-9973/106-301	771-9973/106-302	1
4 m	771-9973/106-401	771-9973/106-402	1
5 m	771-9973/106-501	771-9973/106-502	1
6 m	771-9973/106-601	771-9973/106-602	1
7 m	771-9973/106-701	771-9973/106-702	1
8 m	771-9973/106-801	771-9973/106-802	1

Total length	Connector color / Strain relief color		PU
	red / black	red / white	
1 m	771-9973/206-101	771-9973/206-102	1
2 m	771-9973/206-201	771-9973/206-202	1
3 m	771-9973/206-301	771-9973/206-302	1
4 m	771-9973/206-401	771-9973/206-402	1
5 m	771-9973/206-501	771-9973/206-502	1
6 m	771-9973/206-601	771-9973/206-602	1
7 m	771-9973/206-701	771-9973/206-702	1
8 m	771-9973/206-801	771-9973/206-802	1

2

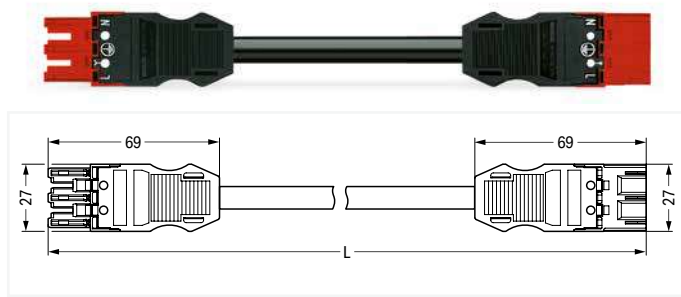
Accessories; for all products on this page

 Locking lever; for flying leads; manually operated			 Locking lever; for flying leads; tool operated			 Mounting carrier; for flying leads; 2- to 5-pole		
Color	Item no.	PU (SPU)	Color	Item no.	PU (SPU)	Color	Item no.	PU
● black	770-101	100 (25)	● black	770-111	100 (25)	● black	770-310	25
○ white	770-121	100 (25)	○ white	770-131	100 (25)			

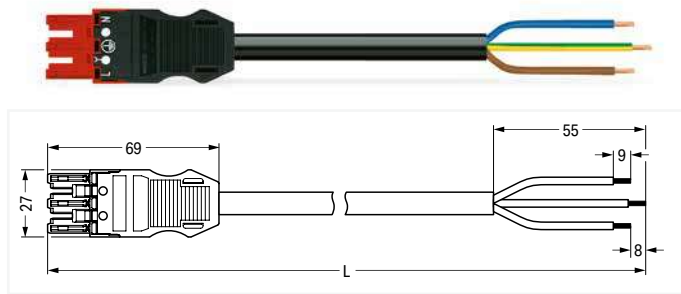
PU = packaging unit; SPU = subpackaging unit; Dimensions in mm

Cable assembly ▶ WINSTA® MIDI ▶ 771 Series

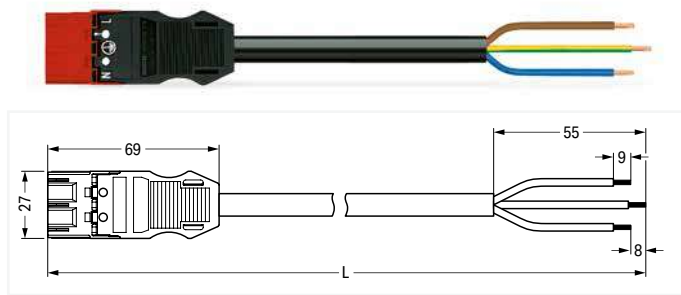
Pole number: 3 ▶ Fire class per EN 50575: E_{ca} ▶ Coding: P ▶ Protection type: IP20 ▶ 1.5 mm² ▶ Marking: L ⊕ N ▶ Halogen-free ▶ Sheathed cable diameter: 7.4 ... 9.4 mm ▶ H05Z1Z1-F 3G1.5 ▶ EDV (UPS)



Interconnecting cable ▶ Socket - Plug			
Total length	Connector color / Strain relief color		PU
	red / black	red / white	
1 m	771-9973/016-101	771-9973/016-102	1
2 m	771-9973/016-201	771-9973/016-202	1
3 m	771-9973/016-301	771-9973/016-302	1
4 m	771-9973/016-401	771-9973/016-402	1
5 m	771-9973/016-501	771-9973/016-502	1
6 m	771-9973/016-601	771-9973/016-602	1
7 m	771-9973/016-701	771-9973/016-702	1
8 m	771-9973/016-801	771-9973/016-802	1






Connecting cable ▶ Socket - free end ▶ Strip length (outer insulation): 55 mm			
Total length	Connector color / Strain relief color		PU
	red / black	red / white	
1 m	771-9973/116-101	771-9973/116-102	1
2 m	771-9973/116-201	771-9973/116-202	1
3 m	771-9973/116-301	771-9973/116-302	1
4 m	771-9973/116-401	771-9973/116-402	1
5 m	771-9973/116-501	771-9973/116-502	1
6 m	771-9973/116-601	771-9973/116-602	1
7 m	771-9973/116-701	771-9973/116-702	1
8 m	771-9973/116-801	771-9973/116-802	1



Connecting cable ▶ Plug - free end ▶ Strip length (outer insulation): 55 mm			
Total length	Connector color / Strain relief color		PU
	red / black	red / white	
1 m	771-9973/216-101	771-9973/216-102	1
2 m	771-9973/216-201	771-9973/216-202	1
3 m	771-9973/216-301	771-9973/216-302	1
4 m	771-9973/216-401	771-9973/216-402	1
5 m	771-9973/216-501	771-9973/216-502	1
6 m	771-9973/216-601	771-9973/216-602	1
7 m	771-9973/216-701	771-9973/216-702	1
8 m	771-9973/216-801	771-9973/216-802	1

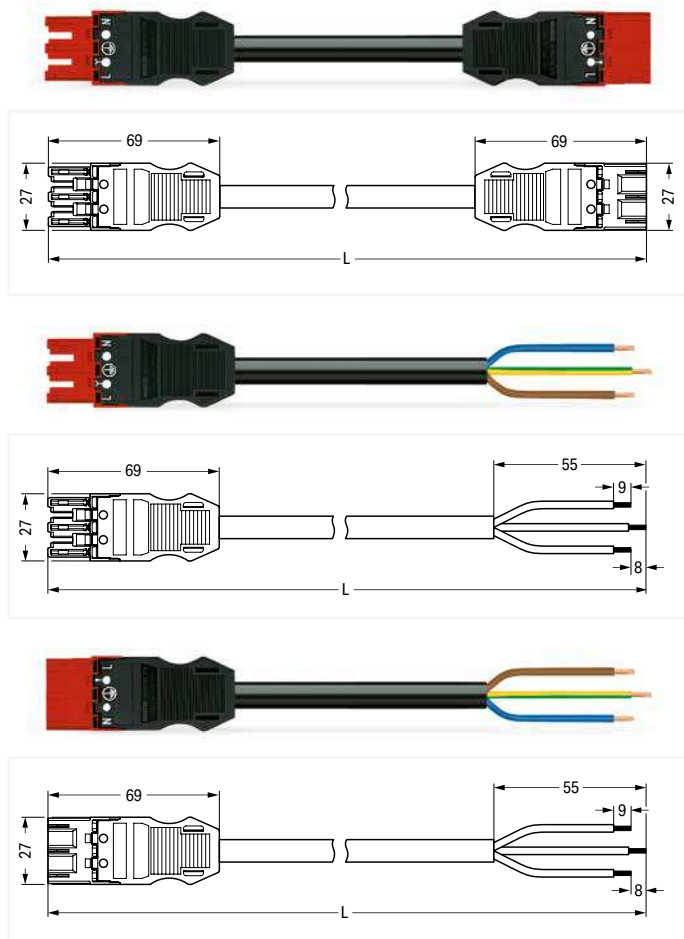
Accessories; for all products on this page

 Locking lever; for flying leads; manually operated			 Locking lever; for flying leads; tool operated			 Mounting carrier; for flying leads; 2- to 5-pole		
Color	Item no.	PU (SPU)	Color	Item no.	PU (SPU)	Color	Item no.	PU
● black	770-101	100 (25)	● black	770-111	100 (25)	● black	770-310	25
○ white	770-121	100 (25)	○ white	770-131	100 (25)			

PU = packaging unit; SPU = subpackaging unit; Dimensions in mm

Cable assembly ▶ WINSTA® MIDI ▶ 771 Series

Pole number: 3 ▶ Fire class per EN 50575: E_{ca} ▶ Coding: P ▶ Protection type: IP20 ▶ 2.5 mm² ▶ Marking: L ⊕ N ▶ PVC ▶ Sheathed cable diameter: 9.2 ... 11.4 mm ▶ H05VV-F 3G2.5 ▶ EDV (UPS)






Interconnecting cable ▶ Socket - Plug			
Total length	Connector color / Strain relief color		PU
	red / black	red / white	
1 m	771-9973/007-101	771-9973/007-102	1
2 m	771-9973/007-201	771-9973/007-202	1
3 m	771-9973/007-301	771-9973/007-302	1
4 m	771-9973/007-401	771-9973/007-402	1
5 m	771-9973/007-501	771-9973/007-502	1
6 m	771-9973/007-601	771-9973/007-602	1
7 m	771-9973/007-701	771-9973/007-702	1
8 m	771-9973/007-801	771-9973/007-802	1

Connecting cable ▶ Socket - free end ▶ Strip length (outer insulation): 55 mm			
Total length	Connector color / Strain relief color		PU
	red / black	red / white	
1 m	771-9973/107-101	771-9973/107-102	1
2 m	771-9973/107-201	771-9973/107-202	1
3 m	771-9973/107-301	771-9973/107-302	1
4 m	771-9973/107-401	771-9973/107-402	1
5 m	771-9973/107-501	771-9973/107-502	1
6 m	771-9973/107-601	771-9973/107-602	1
7 m	771-9973/107-701	771-9973/107-702	1
8 m	771-9973/107-801	771-9973/107-802	1

Connecting cable ▶ Plug - free end ▶ Strip length (outer insulation): 55 mm			
Total length	Connector color / Strain relief color		PU
	red / black	red / white	
1 m	771-9973/207-101	771-9973/207-102	1
2 m	771-9973/207-201	771-9973/207-202	1
3 m	771-9973/207-301	771-9973/207-302	1
4 m	771-9973/207-401	771-9973/207-402	1
5 m	771-9973/207-501	771-9973/207-502	1
6 m	771-9973/207-601	771-9973/207-602	1
7 m	771-9973/207-701	771-9973/207-702	1
8 m	771-9973/207-801	771-9973/207-802	1

2

Accessories; for all products on this page

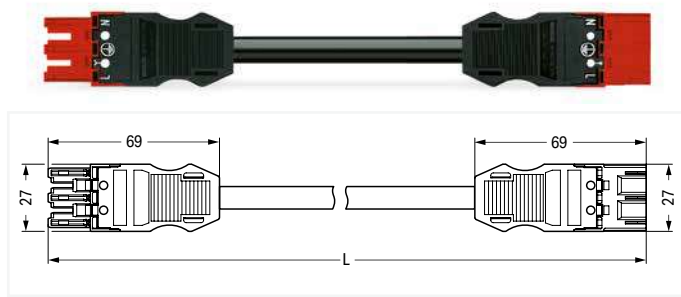
 Locking lever; for flying leads; manually operated			 Locking lever; for flying leads; tool operated			 Mounting carrier; for flying leads; 2- to 5-pole		
Color	Item no.	PU (SPU)	Color	Item no.	PU (SPU)	Color	Item no.	PU
● black	770-101	100 (25)	● black	770-111	100 (25)	● black	770-310	25
○ white	770-121	100 (25)	○ white	770-131	100 (25)			

PU = packaging unit; SPU = subpackaging unit; Dimensions in mm

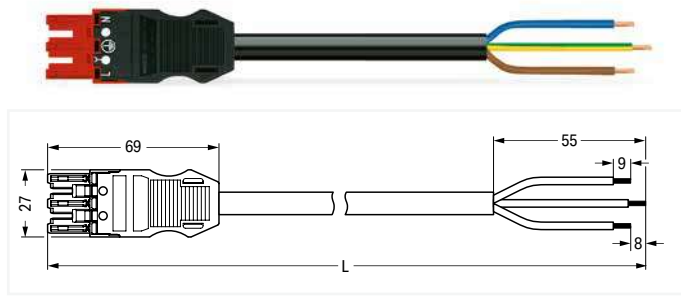
Cable assembly ▶ WINSTA® MIDI ▶ 771 Series

Pole number: 3 ▶ Fire class per EN 50575: E_{ca} ▶ Coding: P ▶ Protection type: IP20 ▶ 2.5 mm² ▶ Marking: L ⊕ N ▶ Halogen-free ▶ Sheathed cable diameter: 9.2 ... 11.4 mm ▶ H05Z1Z1-F 3G2.5 ▶ EDV (UPS)

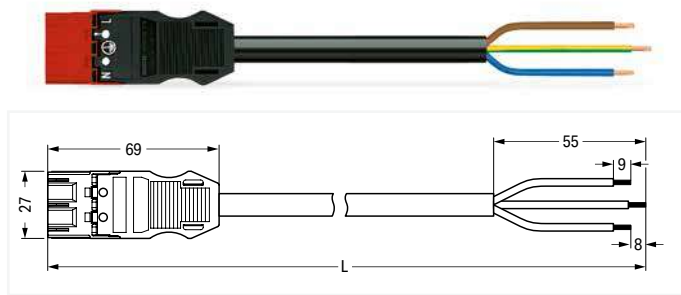
2



Interconnecting cable ▶ Socket - Plug			
Total length	Connector color / Strain relief color		PU
	red / black	red / white	
1 m	771-9973/017-101	771-9973/017-102	1
2 m	771-9973/017-201	771-9973/017-202	1
3 m	771-9973/017-301	771-9973/017-302	1
4 m	771-9973/017-401	771-9973/017-402	1
5 m	771-9973/017-501	771-9973/017-502	1
6 m	771-9973/017-601	771-9973/017-602	1
7 m	771-9973/017-701	771-9973/017-702	1
8 m	771-9973/017-801	771-9973/017-802	1



Connecting cable ▶ Socket - free end ▶ Strip length (outer insulation): 55 mm			
Total length	Connector color / Strain relief color		PU
	red / black	red / white	
1 m	771-9973/117-101	771-9973/117-102	1
2 m	771-9973/117-201	771-9973/117-202	1
3 m	771-9973/117-301	771-9973/117-302	1
4 m	771-9973/117-401	771-9973/117-402	1
5 m	771-9973/117-501	771-9973/117-502	1
6 m	771-9973/117-601	771-9973/117-602	1
7 m	771-9973/117-701	771-9973/117-702	1
8 m	771-9973/117-801	771-9973/117-802	1



Connecting cable ▶ Plug - free end ▶ Strip length (outer insulation): 55 mm			
Total length	Connector color / Strain relief color		PU
	red / black	red / white	
1 m	771-9973/217-101	771-9973/217-102	1
2 m	771-9973/217-201	771-9973/217-202	1
3 m	771-9973/217-301	771-9973/217-302	1
4 m	771-9973/217-401	771-9973/217-402	1
5 m	771-9973/217-501	771-9973/217-502	1
6 m	771-9973/217-601	771-9973/217-602	1
7 m	771-9973/217-701	771-9973/217-702	1
8 m	771-9973/217-801	771-9973/217-802	1

Accessories; for all products on this page



Locking lever; for flying leads; manually operated



Locking lever; for flying leads; tool operated



Mounting carrier; for flying leads; 2- to 5-pole

Color	Item no.	PU (SPU)
● black	770-101	100 (25)
○ white	770-121	100 (25)

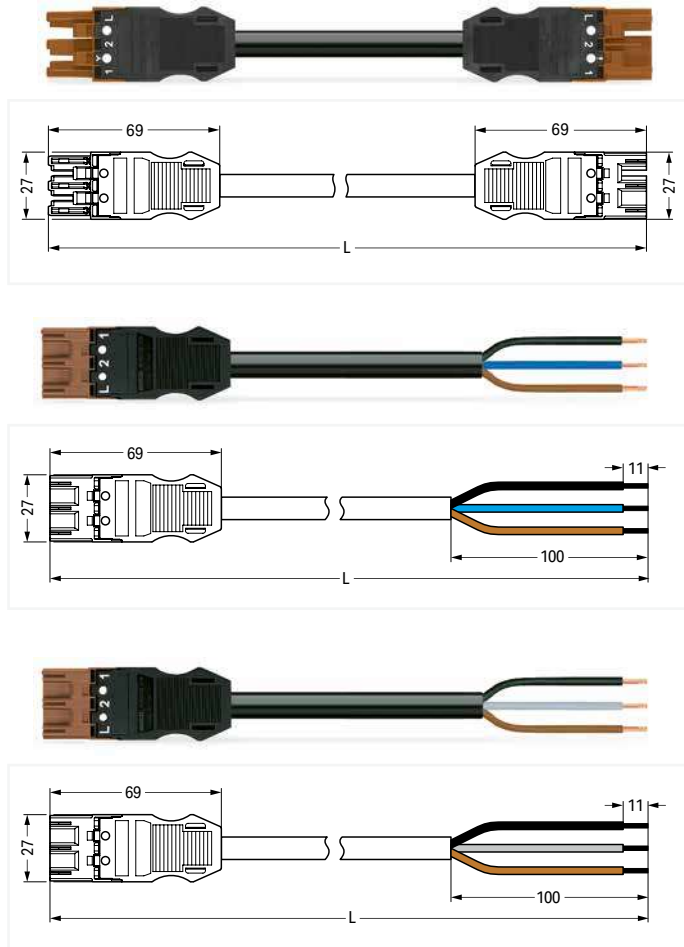
Color	Item no.	PU (SPU)
● black	770-111	100 (25)
○ white	770-131	100 (25)

Color	Item no.	PU
● black	770-310	25

PU = packaging unit; SPU = subpackaging unit; Dimensions in mm

Cable assembly ▶ WINSTA® MIDI ▶ 771 Series

Pole number: 3 ▶ Fire class per EN 50575: E_{ca} ▶ Coding: S ▶ Protection type: IP20 ▶ 1.5 mm² ▶ Marking: 1 2 L ▶ PVC ▶ Sheathed cable diameter: 7.4 ... 9.4 mm ▶ H05VV-F 3x1.5 ▶ Switching function



Interconnecting cable ▶ Socket - Plug

Total length	Connector color / Strain relief color		PU
	brown / black		
1 m	771-9973/006-105		1
2 m	771-9973/006-205		1
3 m	771-9973/006-305		1
4 m	771-9973/006-405		1
5 m	771-9973/006-505		1
6 m	771-9973/006-605		1
7 m	771-9973/006-705		1
8 m	771-9973/006-805		1

Connecting cable ▶ Plug - free end ▶ Strip length (outer insulation): 100 mm ▶ for distribution connectors (motion sensors)

Total length	Connector color / Strain relief color		PU
	brown / black		
1 m	771-9973/206-104		1
2 m	771-9973/206-204		1
3 m	771-9973/206-304		1
4 m	771-9973/206-404		1
5 m	771-9973/206-504		1
6 m	771-9973/206-604		1
7 m	771-9973/206-704		1
8 m	771-9973/206-804		1

Connecting cable ▶ Plug - free end ▶ Strip length (outer insulation): 100 mm ▶ for distribution connectors; series and two-way circuits

Total length	Connector color / Strain relief color		PU
	brown / black		
1 m	771-9973/206-105		1
2 m	771-9973/206-205		1
3 m	771-9973/206-305		1
4 m	771-9973/206-405		1
5 m	771-9973/206-505		1
6 m	771-9973/206-605		1
7 m	771-9973/206-705		1
8 m	771-9973/206-805		1

2

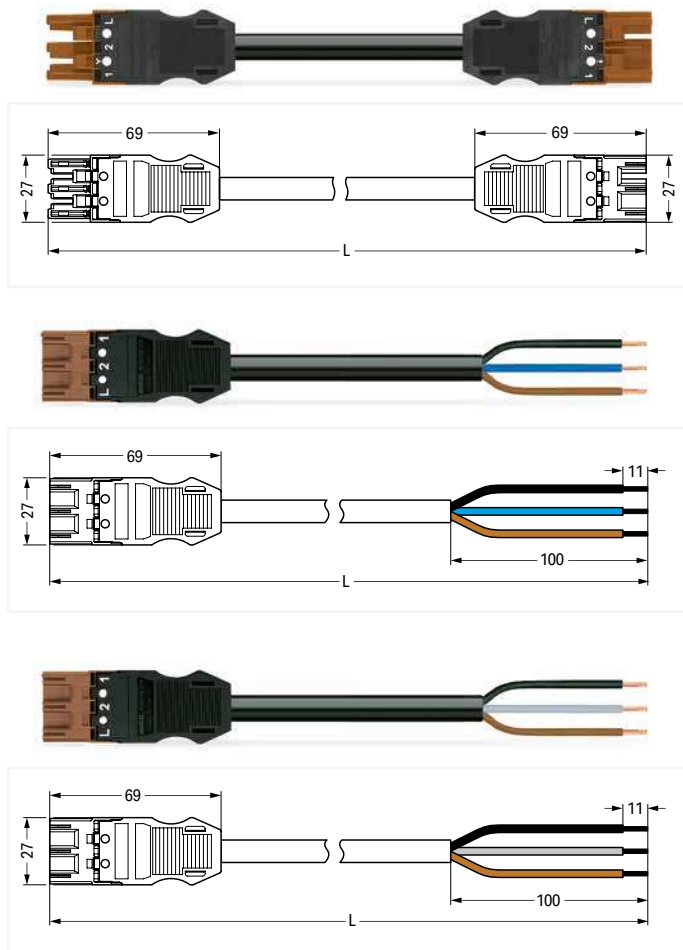
Accessories; for all products on this page

Locking lever; for flying leads; manually operated			Locking lever; for flying leads; tool operated			Mounting carrier; for flying leads; 2- to 5-pole		
Color	Item no.	PU (SPU)	Color	Item no.	PU (SPU)	Color	Item no.	PU
● black	770-101	100 (25)	● black	770-111	100 (25)	● black	770-310	25
○ white	770-121	100 (25)	○ white	770-131	100 (25)			

PU = packaging unit; SPU = subpackaging unit; Dimensions in mm

Cable assembly ▶ WINSTA® MIDI ▶ 771 Series

Pole number: 3 ▶ Fire class per EN 50575: E_{ca} ▶ Coding: S ▶ Protection type: IP20 ▶ 1.5 mm² ▶ Marking: 1 2 L ▶ Halogen-free ▶ Sheathed cable diameter: 7.4 ... 9.4 mm ▶ H05Z1Z1-F 3x1.5 ▶ Switching function






Interconnecting cable ▶ Socket - Plug			
Total length	Connector color / Strain relief color		PU
	brown / black		
1 m	771-9973/016-105		1
2 m	771-9973/016-205		1
3 m	771-9973/016-305		1
4 m	771-9973/016-405		1
5 m	771-9973/016-505		1
6 m	771-9973/016-605		1
7 m	771-9973/016-705		1
8 m	771-9973/016-805		1

Connecting cable ▶ Plug - free end ▶ Strip length (outer insulation): 100 mm ▶ for distribution connectors (motion sensors)			
Total length	Connector color / Strain relief color		PU
	brown / black		
1 m	771-9973/216-104		1
2 m	771-9973/216-204		1
3 m	771-9973/216-304		1
4 m	771-9973/216-404		1
5 m	771-9973/216-504		1
6 m	771-9973/216-604		1
7 m	771-9973/216-704		1
8 m	771-9973/216-804		1

Connecting cable ▶ Plug - free end ▶ Strip length (outer insulation): 100 mm ▶ for distribution connectors; series and two-way circuits			
Total length	Connector color / Strain relief color		PU
	brown / black		
1 m	771-9973/216-105		1
2 m	771-9973/216-205		1
3 m	771-9973/216-305		1
4 m	771-9973/216-405		1
5 m	771-9973/216-505		1
6 m	771-9973/216-605		1
7 m	771-9973/216-705		1
8 m	771-9973/216-805		1

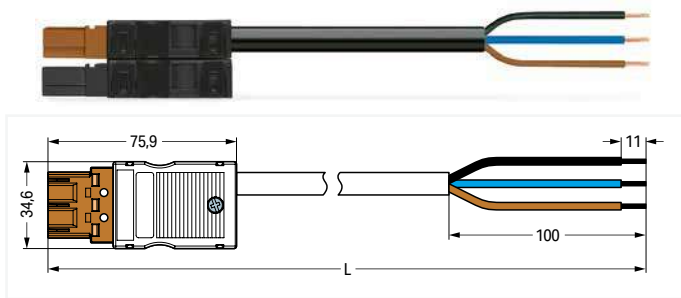
Accessories; for all products on this page

 Locking lever; for flying leads; manually operated			 Locking lever; for flying leads; tool operated			 Mounting carrier; for flying leads; 2- to 5-pole		
Color	Item no.	PU (SPU)	Color	Item no.	PU (SPU)	Color	Item no.	PU
● black	770-101	100 (25)	● black	770-111	100 (25)	● black	770-310	25
○ white	770-121	100 (25)	○ white	770-131	100 (25)			

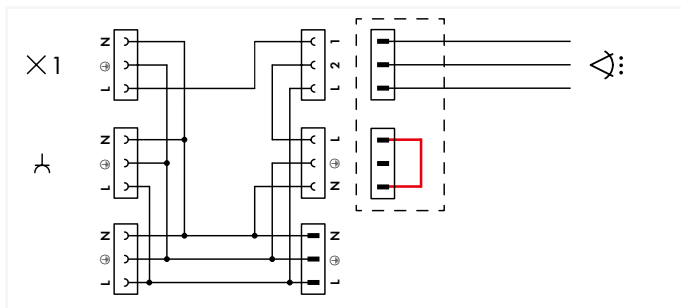
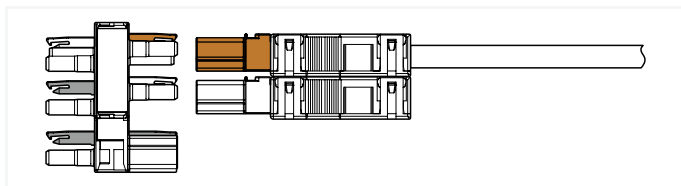
PU = packaging unit; SPU = subpackaging unit; Dimensions in mm

Cable assembly ▶ WINSTA® MIDI ▶ 771 Series

Pole number: 3 ▶ Fire class per EN 50575: E_{ca} ▶ Coding: S ▶ Protection type : IP20 ▶ Wire cross-section : 1.5 mm² ▶ PVC ▶ Sheathed cable diameter: 7.4 ... 9.4 mm ▶ H05VV-F 3x1.5 ▶ Plug; Plug - free end ▶ Strip length (outer insulation): 100 mm ▶ Switching function



Connecting cable ▶ for distribution connectors (770-637 and 770-687)				
Total length	Connector color / Strain relief color			PU
	brown / black			
3 m	771-5001/106-000			1
4 m	771-5001/107-000			1



This cable combines a standard S-coded cable with an A-coded shorting plug. Both strain relief housings are locked together. A motion detector or switch with signal lamp can be directly connected using a cable equipped with 770-637 Distribution Connector.

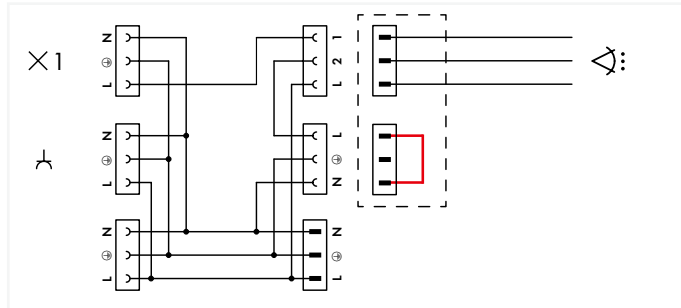
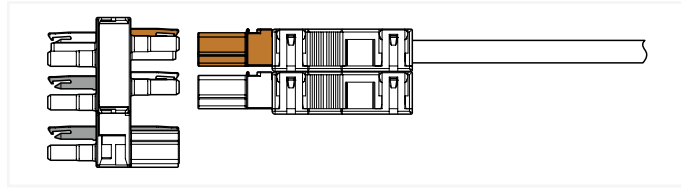
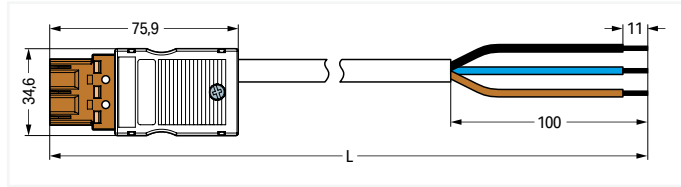
Accessories; for all products on this page

	Locking lever; for flying leads; manually operated		Locking lever; for flying leads; tool operated		
Color	Item no.	PU (SPU)	Color	Item no.	PU (SPU)
● black	770-101	100 (25)	● black	770-111	100 (25)
○ white	770-121	100 (25)	○ white	770-131	100 (25)

PU = packaging unit; SPU = subpackaging unit; Dimensions in mm

Cable assembly ▶ WINSTA® MIDI ▶ 771 Series

Pole number: 3 ▶ Fire class per EN 50575: E_{ca} ▶ Coding: S ▶ Protection type : IP20 ▶ Wire cross-section : 1.5 mm² ▶ Halogen-free ▶ Sheathed cable diameter: 7.4 ... 9.4 mm ▶ H05Z1Z1-F 3x1.5 ▶ Plug; Plug - free end ▶ Strip length (outer insulation): 100 mm ▶ Switching function



This cable combines a standard S-coded cable with an A-coded shorting plug. Both strain relief housings are locked together. A motion detector or switch with signal lamp can be directly connected using a cable equipped with 770-637 Distribution Connector.

Connecting cable ▶ for distribution connectors (770-637 and 770-687)

Total length	Connector color / Strain relief color			PU
	brown / black			
3 m	771-5001/131-000			1
4 m	771-5001/132-000			1

2

Accessories; for all products on this page



Locking lever; for flying leads; manually operated



Locking lever; for flying leads; tool operated

Color	Item no.	PU (SPU)
● black	770-101	100 (25)
○ white	770-121	100 (25)

Color	Item no.	PU (SPU)
● black	770-111	100 (25)
○ white	770-131	100 (25)

PU = packaging unit; SPU = subpackaging unit; Dimensions in mm

2

Pluggable connectors ▶ WINSTA® MIDI ▶ 770 Series

Pole number: 4 ▶ Number of connection points: 2 ▶ Protection type: IP20



- Protected against mismatching and maintenance-free
- Push-in CAGE CLAMP® spring pressure connection technology for direct termination of solid conductors
- 2-wire connections per pole for daisy-chaining or commoning
- Additional variable coding possible

Electrical data									
Coding	A			B			Q		
Ratings per	IEC/EN 60664-1			IEC/EN 60664-1			IEC/EN 60664-1		
Overvoltage category	III	III	II	III	III	II	III	III	II
Pollution degree	3	2	2	3	2	2	3	2	2
Nominal voltage	400 V	-	-	400 V	-	-	400 V	-	-
Rated surge voltage	6 kV	-	-	6 kV	-	-	6 kV	-	-
Rated current	25 A	-	-	25 A	-	-	32 A	-	-
Note (rated current)				25 A for 3-pole load 20 A for 4-pole load					
Approvals per	UL 1977			UL 1977			UL 1977		
Rated voltage	600 V			600 V			600 V		
Rated current	23 A			23 A			23 A		

Connection data	
Connection technology	Push-in CAGE CLAMP®
Strip length	9 mm / 0.35 inches
Nominal cross-section	4 mm ² / 12 AWG
Solid conductor	0.5 ... 4 mm ² / 20 ... 12 AWG
Solid conductor; push-in termination	1.5 ... 4 mm ² / 16 ... 12 AWG
Stranded conductor	0.5 ... 2.5 mm ² / 20 ... 14 AWG
Fine-stranded conductor	0.5 ... 4 mm ² / 20 ... 12 AWG
Fine-stranded conductor; with insulated ferrule	0.25 ... 1.5 mm ² / 20 ... 16 AWG
Fine-stranded conductor; with uninsulated ferrule	0.25 ... 2.5 mm ² / 20 ... 14 AWG
Fine-stranded conductor; with ferrule; push-in termination	1.5 mm ² / 16 AWG

Material Data	
Material group	I
Insulation material	Polyamide (PA66)
Flammability class per UL94	V0
Clamping spring material	Chrome-nickel spring steel (CrNi)
Contact material	Copper or copper alloy; surface-treated
Contact plating	Tin

Mechanical Data	
Number of mating cycles	200, without resistive load
Mating force of a plug-in connection	approx. 20 ... 70 N (depending on pole number)
Unmating force of a plug-in connection	Unlocked: approx. 20 ... 70 N (depending on pole number)
Retention force of a plug-in connection	Locked: > 80 N
Protection type	IP20
Note on protection type	When mated and secured with a strain relief housing: IP2xC (These compact connectors are not designed for use in open, easily accessible areas!)

Environmental requirements	
Processing temperature	-5 ... +40 °C
Continuous operating temperature	-35 ... +85 °C
Note on continuous operating temperature	Insulating parts for temperatures ≤ 105 °C

All WINSTA® components are 100% protected against mismatching when:

- plugging different numbers of poles
- plugging while rotated 180
- plugging while laterally staggered
- plugging one pole

All connectors for mounted installations (snap-in versions for lighting fixtures or devices, all types of PCB and distribution connectors) are factory-equipped with locking levers to ensure plugs and sockets are securely locked. Additional locking levers are only required for flying leads (plug/socket).

Cover	Page 372
Installation	Page 383
Marking	Page 397
Tool	Page 392
See technical section for further information	
Approvals and corresponding ratings, visit www.wago.com	

Pluggable connectors ► WINSTA® MIDI ► 770 Series

Pole number: 4 ► Number of connection points: 2 ► Protection type: IP20

Strain relief housing ► Female connector/socket ► Strip length (outer insulation): 55 mm
► Connectable sheathed cable diameter : 9 ... 13 mm

Strain relief housing ► Male connector/plug ► Strip length (outer insulation): 55 mm ►
Connectable sheathed cable diameter : 9 ... 13 mm



2

770-104

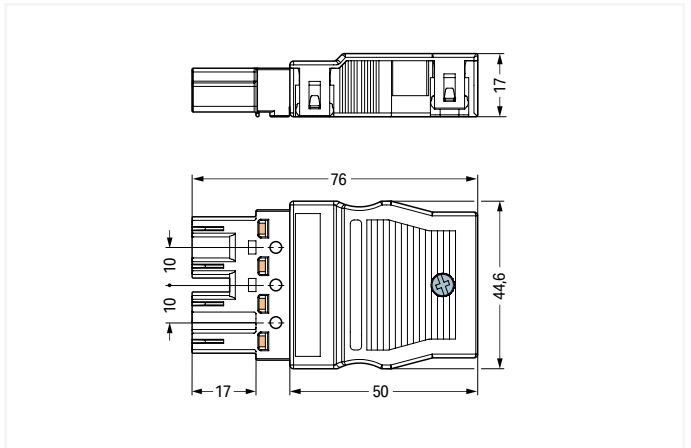
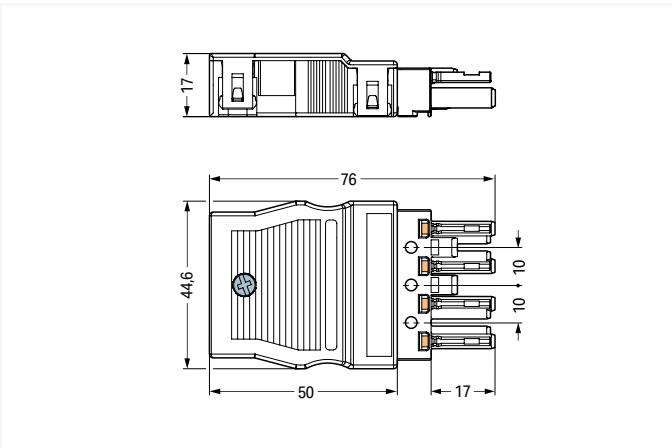
770-114

General mains applications

Color	Coding	Marking	Item no.	PU
● black	A	N ⊕ 2/L 1/L'	770-104	25
○ white	A	N ⊕ 2/L 1/L'	770-124	25

General mains applications

Color	Coding	Marking	Item no.	PU
● black	A	1/L' 2/L ⊕ N	770-114	25
○ white	A	1/L' 2/L ⊕ N	770-134	25



Overall length when mated

Overall length when mated

Item-Specific Accessories

Item-Specific Accessories



Lockout cap; for socket; separable;
Pole number: 12

Color	Item no.	PU
● black	770-201	100
○ white	770-221	100



Lockout cap; for plugs; separable; Pole
number: 5

Color	Item no.	PU
● yellow	770-360	100

Accessories; for all products on this page



Locking lever; for flying leads; manually
operated

Color	Item no.	PU (SPU)
● black	770-101	100 (25)
○ white	770-121	100 (25)



Locking lever; for flying leads; tool
operated

Color	Item no.	PU (SPU)
● black	770-111	100 (25)
○ white	770-131	100 (25)

PU = packaging unit; SPU = subpackaging unit; Dimensions in mm

Pluggable connectors ▶ WINSTA® MIDI ▶ 770 Series

Pole number: 4 ▶ Number of connection points: 2 ▶ Protection type: IP20

Female connector/socket



2

770-204

General mains applications

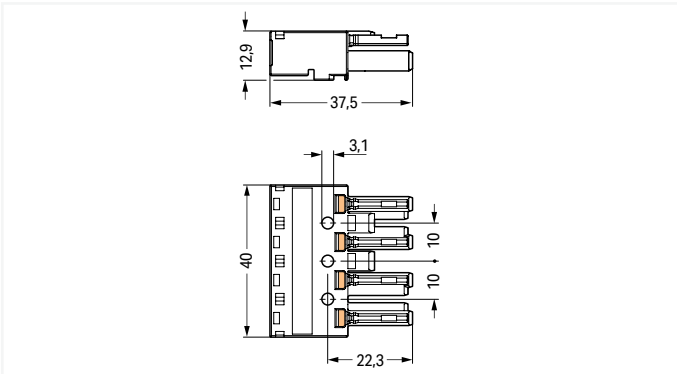
Color	Coding	Marking	Item no.	PU
● black	A	N ⊕ 2/L 1/L'	770-204	50
○ white	A	N ⊕ 2/L 1/L'	770-224	50

Control technology


Color	Coding	Marking	Item no.	PU
○ gray	B	1 2 3 4	770-244	50
○ gray	B	N ⊕ 2/L 1/L'	770-244/060-000	50
○ gray	B	3 PE 2 1	770-244/062-000	50
○ gray	B	2L ⊕ 1L L	770-244/064-000	50
● light green	B	1 2 3 4	770-264	50
● light green	B	U- S U+ X/Y	770-264/071-000	50
● light green	B	U- U+ DI AI	770-264/072-000	50
● light green	B	1 ⊕ 2 3	770-264/073-000	50
● pink	B	1 2 3 4	770-284	50
● pink	B	1 2 5 3	770-284/081-000	50

for "Clean Ground" applications


Color	Coding	Marking	Item no.	PU
● green	Q	N PE1 PE2 L	770-1324	50




Accessories; for all products on this page

 Locking lever; for flying leads; manually operated


Color	Item no.	PU (SPU)
● black	770-101	100 (25)
○ white	770-121	100 (25)

 Locking lever; for flying leads; tool operated


Color	Item no.	PU (SPU)
● black	770-111	100 (25)
○ white	770-131	100 (25)

 Lockout cap; for socket; separable; Pole number: 12

Color	Item no.	PU
● black	770-201	100
○ white	770-221	100

 Strain relief housing; Connectable sheathed cable diameter: 9 ... 13 mm; Strip length (outer insulation): 55 mm

Color	Item no.	PU
● black	770-504	25
○ white	770-514	25

 Strain relief housing; Connectable sheathed cable diameter: 5 ... 9 mm; Strip length (outer insulation): 55 mm

Color	Item no.	PU
● black	770-504/023-000	25
○ white	770-514/023-000	25

PU = packaging unit; SPU = subpackaging unit; Dimensions in mm

Pluggable connectors ▶ WINSTA® MIDI ▶ 770 Series

Pole number: 4 ▶ Number of connection points: 2 ▶ Protection type: IP20

Male connector/plug



770-214

General mains applications

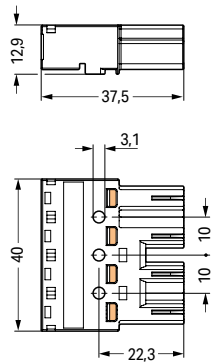
Color	Coding	Marking	Item no.	PU
● black	A	1/L' 2/L ⊕ N	770-214	50
○ white	A	1/L' 2/L ⊕ N	770-234	50

Control technology

Color	Coding	Marking	Item no.	PU
○ gray	B	4 3 2 1	770-254	50
○ gray	B	1/L' 2/L ⊕ N	770-254/060-000	50
○ gray	B	1 2 PE 3	770-254/062-000	50
○ gray	B	L 1L ⊕ 2L	770-254/064-000	50
● light green	B	4 3 2 1	770-274	50
● light green	B	X/Y U+ S U-	770-274/071-000	50
● light green	B	AI DI U+ U-	770-274/072-000	50
● light green	B	3 2 ⊕ 1	770-274/073-000	50
● pink	B	4 3 2 1	770-294	50
● pink	B	3 5 2 1	770-294/081-000	50

for "Clean Ground" applications

Color	Coding	Marking	Item no.	PU
● green	Q	L PE2 PE1 N	770-1334	50



Accessories; for all products on this page



Locking lever; for flying leads; manually operated

Color	Item no.	PU (SPU)
● black	770-101	100 (25)
○ white	770-121	100 (25)



Locking lever; for flying leads; tool operated

Color	Item no.	PU (SPU)
● black	770-111	100 (25)
○ white	770-131	100 (25)



Lockout cap; for plugs; separable; Pole number: 5

Color	Item no.	PU
● yellow	770-360	100



Strain relief housing; Connectable sheathed cable diameter: 9 ... 13 mm; Strip length (outer insulation): 55 mm

Color	Item no.	PU
● black	770-504	25
○ white	770-514	25



Strain relief housing; Connectable sheathed cable diameter: 5 ... 9 mm; Strip length (outer insulation): 55 mm

Color	Item no.	PU
● black	770-504/023-000	25
○ white	770-514/023-000	25

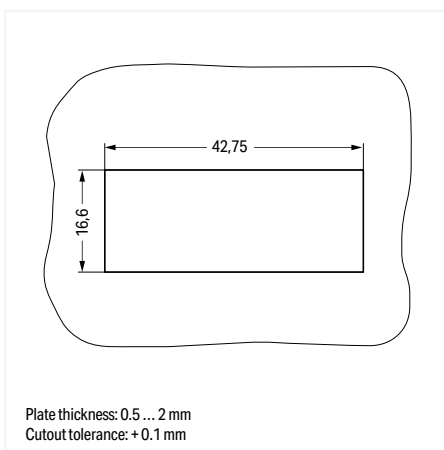
PU = packaging unit; SPU = subpackaging unit; Dimensions in mm

Snap-in device connector ► WINSTA® MIDI ► 770 Series

Pole number: 4 ► Number of connection points: 2 ► Protection type: IP20



- Protected against mismatching and maintenance-free
- Push-in CAGE CLAMP® spring pressure connection technology allows solid conductors to be simply pushed into a unit.
- Two wire connections per pole for loops or bridges
- Additional variable coding is possible.



Electrical data									
Coding	A			B			Q		
Ratings per	IEC/EN 60664-1			IEC/EN 60664-1			IEC/EN 60664-1		
Overvoltage category	III	III	II	III	III	II	III	III	II
Pollution degree	3	2	2	3	2	2	3	2	2
Nominal voltage	400 V	-	-	400 V	-	-	400 V	-	-
Rated surge voltage	6 kV	-	-	6 kV	-	-	6 kV	-	-
Rated current	25 A	-	-	25 A	-	-	32 A	-	-
Note (rated current)				25 A for 3-pole load 20 A for 4-pole load					
Approvals per	UL 1977			UL 1977			UL 1977		
Rated voltage	600 V			600 V			600 V		
Rated current	23 A			23 A			23 A		

Connection data	
Connection technology	Push-in CAGE CLAMP®
Strip length	9 mm / 0.35 inches
Nominal cross-section	4 mm² / 12 AWG
Solid conductor	0.5 ... 4 mm² / 20 ... 12 AWG
Solid conductor; push-in termination	1.5 ... 4 mm² / 16 ... 12 AWG
Stranded conductor	0.5 ... 2.5 mm² / 20 ... 14 AWG
Fine-stranded conductor	0.5 ... 4 mm² / 20 ... 12 AWG
Fine-stranded conductor; with insulated ferrule	0.25 ... 1.5 mm² / 20 ... 16 AWG
Fine-stranded conductor; with uninsulated ferrule	0.25 ... 2.5 mm² / 20 ... 14 AWG
Fine-stranded conductor; with ferrule; push-in termination	1.5 mm² / 16 AWG

Material Data	
Insulation material	Polyamide (PA66)
Flammability class per UL94	V0
Clamping spring material	Chrome-nickel spring steel (CrNi)
Contact material	Copper or copper alloy; surface-treated
Contact plating	Tin

Mechanical Data	
Number of mating cycles	200, without resistive load
Mating force of a plug-in connection	approx. 20 ... 70 N (depending on pole number)
Unmating force of a plug-in connection	Unlocked: approx. 20 ... 70 N (depending on pole number)
Retention force of a plug-in connection	Locked: > 80 N
Protection type	IP20
Note on protection type	When mated: IP2xC (These compact connectors are not designed for use in open, easily accessible areas!)

Environmental requirements	
Processing temperature	-5 ... +40 °C
Continuous operating temperature	-35 ... +85 °C
Note on continuous operating temperature	Insulating parts for temperatures ≤ 105 °C

All WINSTA® components are 100% protected against mismatching when:

- plugging different numbers of poles
- plugging while rotated 180
- plugging while laterally staggered
- plugging one pole

All connectors for mounted installations (snap-in versions for lighting fixtures or devices, all types of PCB and distribution connectors) are factory-equipped with locking levers to ensure plugs and sockets are securely locked. Additional locking levers are only required for flying leads (plug/socket).

Coding [Page 371](#)

Tool [Page 392](#)

See technical section for further information

Approvals and corresponding ratings, visit www.wago.com

Snap-in device connector ► WINSTA® MIDI ► 770 Series

Pole number: 4 ► Number of connection points: 2 ► Protection type: IP20

Female connector/socket

Male connector/plug



770-704

770-714

General mains applications

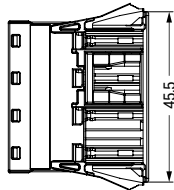
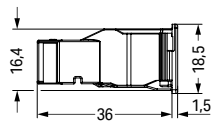
Color	Coding	Marking	Item no.	PU
● black	A	N ⊕ 2/L 1/L'	770-704	100
○ white	A	N ⊕ 2/L 1/L'	770-724	100

Control technology

Color	Coding	Marking	Item no.	PU
○ gray	B	1 2 3 4	770-744	100
○ gray	B	N ⊕ 2/L 1/L'	770-744/060-000	100
○ gray	B	3 PE 2 1	770-744/062-000	100
○ gray	B	2L ⊕ 1L L	770-744/064-000	100
● light green	B	1 2 3 4	770-764	100
● light green	B	U- S U+ X/Y	770-764/071-000	100
● light green	B	U- U+ DI AI	770-764/072-000	100
● light green	B	1 ⊕ 2 3	770-764/073-000	100
● pink	B	1 2 3 4	770-784	100
● pink	B	1 2 5 3	770-784/081-000	100

for "Clean Ground" applications

Color	Coding	Marking	Item no.	PU
● green	Q	N PE1 PE2 L	770-2324	100



Item-Specific Accessories



Lockout cap; for socket; separable; Pole number: 12

Color	Item no.	PU
● black	770-201	100
○ white	770-221	100

General mains applications

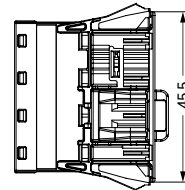
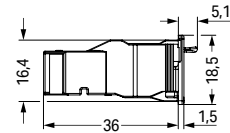
Color	Coding	Marking	Item no.	PU
● black	A	1/L' 2/L ⊕ N	770-714	100
○ white	A	1/L' 2/L ⊕ N	770-734	100

Control technology

Color	Coding	Marking	Item no.	PU
○ gray	B	4 3 2 1	770-754	100
○ gray	B	1/L' 2/L ⊕ N	770-754/060-000	100
○ gray	B	1 2 PE 3	770-754/062-000	100
○ gray	B	L 1L ⊕ 2L	770-754/064-000	100
● light green	B	4 3 2 1	770-774	100
● light green	B	X/Y U+ S U-	770-774/071-000	100
● light green	B	AI DI U+ U-	770-774/072-000	100
● light green	B	3 2 ⊕ 1	770-774/073-000	100
● pink	B	4 3 2 1	770-794	100
● pink	B	3 5 2 1	770-794/081-000	100

for "Clean Ground" applications

Color	Coding	Marking	Item no.	PU
● green	Q	L PE2 PE1 N	770-2334	100



Item-Specific Accessories



Lockout cap; for plugs; separable; Pole number: 5

Color	Item no.	PU
● yellow	770-360	100

Accessories; for all products on this page



Lockout cap; for cutout; Pole number: 4

Color	Item no.	PU
● black	770-644	100
○ white	770-694	100

PU = packaging unit; SPU = subpackaging unit; Dimensions in mm

Snap-in device connector ▶ WINSTA® MIDI ▶ 770 Series

Pole number: 4 ▶ Number of connection points: 2 ▶ Protection type: IP20

with protruding interface ▶ Female connector/socket

with direct ground contact ▶ Male connector/plug



2

770-704/009-000

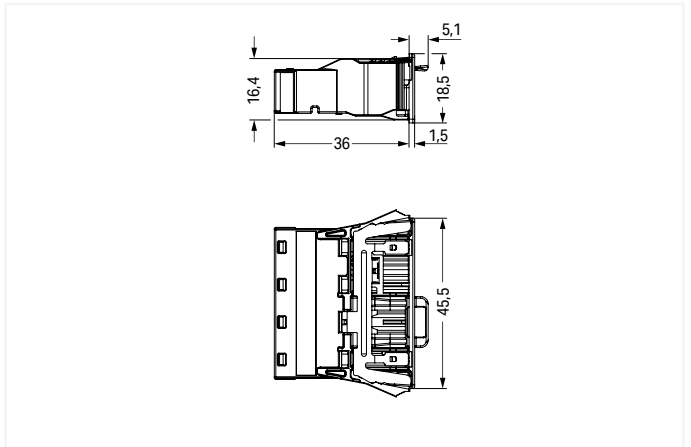
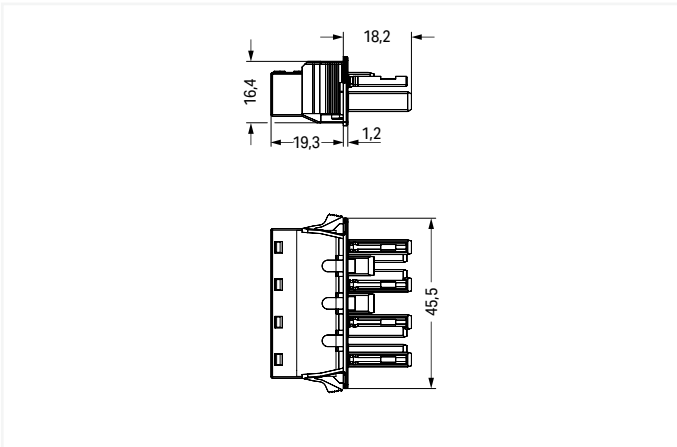
770-714/007-000

General mains applications				
Color	Coding	Marking	Item no.	PU
● black	A	N ⊕ 2/L 1/L'	770-704/009-000	100
○ white	A	N ⊕ 2/L 1/L'	770-724/009-000	100

General mains applications				
Color	Coding	Marking	Item no.	PU
● black	A	1/L' 2/L ⊕ N	770-714/007-000	100
○ white	A	1/L' 2/L ⊕ N	770-734/007-000	100

for "Clean Ground" applications

Color	Coding	Marking	Item no.	PU
● green	Q	L PE2 PE1 N	770-2334/007-000	100



Item-Specific Accessories

Item-Specific Accessories



Lockout cap; for socket; separable; Pole number: 12

Color	Item no.	PU
● black	770-201	100
○ white	770-221	100



Lockout cap; for plugs; separable; Pole number: 5

Color	Item no.	PU
● yellow	770-360	100

Accessories; for all products on this page



Lockout cap; for cutout; Pole number: 4

Color	Item no.	PU
● black	770-644	100
○ white	770-694	100

PU = packaging unit; SPU = subpackaging unit; Dimensions in mm

2

Pluggable PCB connector ▶ WINSTA® MIDI ▶ 770 Series

Pole number: 4



- Protected against mismatching and maintenance-free
- Push-in CAGE CLAMP® spring pressure connection technology for direct termination of solid conductors
- Additional variable coding possible

Electrical data						
Coding	A			B		
Ratings per	IEC/EN 60664-1			IEC/EN 60664-1		
Overvoltage category	III	III	II	III	III	II
Pollution degree	3	2	2	3	2	2
Nominal voltage	400 V	-	-	400 V	-	-
Rated surge voltage	6 kV	-	-	6 kV	-	-
Rated current	25 A	-	-	25 A	-	-
Note (rated current)				25 A for 3-pole load 20 A for 4-pole load		
Approvals per	UL 1977			UL 1977		
Rated voltage	600 V			600 V		
Rated current	23 A			23 A		
Material Data						
Insulation material	Polyamide (PA66)					
Flammability class per UL94	V0					
Clamping spring material	Chrome-nickel spring steel (CrNi)					
Contact material	Copper or copper alloy; surface-treated					
Contact plating	Tin					
Mechanical Data						
Solder pin arrangement	2 in-line solder pins/pole					
Number of solder pins per potential	2					
Solder pin length	3.5 mm					
Solder pin dimensions	1 x 0.8 mm					
Drilled hole diameter with tolerance	1.5 ^{+0.1 ... +0.1} mm					
Number of mating cycles	200, without resistive load					
Mating force of a plug-in connection	approx. 20 ... 70 N (depending on pole number)					
Unmating force of a plug-in connection	Unlocked: approx. 20 ... 70 N (depending on pole number)					
Retention force of a plug-in connection	Locked: > 80 N					
Environmental requirements						
Processing temperature	-5 ... +40 °C					
Continuous operating temperature	-35 ... +85 °C					
Note on continuous operating temperature	Insulating parts for temperatures ≤ 105 °C					

All WINSTA® components are 100% protected against mismatching when:

- plugging different numbers of poles
- plugging while rotated 180
- plugging while laterally staggered
- plugging one pole

All connectors for mounted installations (snap-in versions for lighting fixtures or devices, all types of PCB and distribution connectors) are factory-equipped with locking levers to ensure plugs and sockets are securely locked. Additional locking levers are only required for flying leads (plug/socket).

Coding Page 371

See technical section for further information

Approvals and corresponding ratings, visit www.wago.com

Pluggable PCB connector ▶ WINSTA® MIDI ▶ 770 Series

Pole number: 4

straight ▶ Female connector/socket



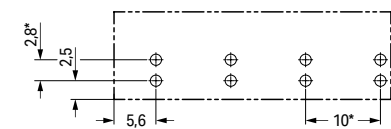
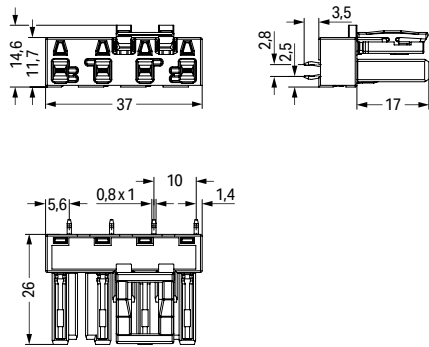
770-804

General mains applications

Color	Coding	Marking	Item no.	PU
● black	A	N ⊕ 2/L 1/L'	770-804	50
○ white	A	N ⊕ 2/L 1/L'	770-824	50

Control technology

Color	Coding	Marking	Item no.	PU
○ gray	B	1 2 3 4	770-844	50
○ gray	B	N ⊕ 2/L 1/L'	770-844/060-000	50
○ gray	B	3 PE 2 1	770-844/062-000	50
○ gray	B	2L ⊕ 1L L	770-844/064-000	50
● light green	B	1 2 3 4	770-864	50
● light green	B	U- S U+ X/Y	770-864/071-000	50
● light green	B	U- U+ DI AI	770-864/072-000	50
● light green	B	1 ⊕ 2 3	770-864/073-000	50
● pink	B	1 2 3 4	770-884	50
● pink	B	1 2 5 3	770-884/081-000	50



* ± 0.05 mm
Drilled hole diameter: 1.5^{+0.1} mm

Item-Specific Accessories



Lockout cap; for socket; separable; Pole number: 12

Color	Item no.	PU
● black	770-201	100
○ white	770-221	100

straight ▶ Male connector/plug



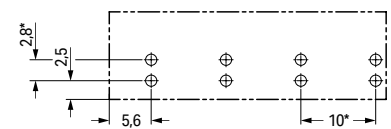
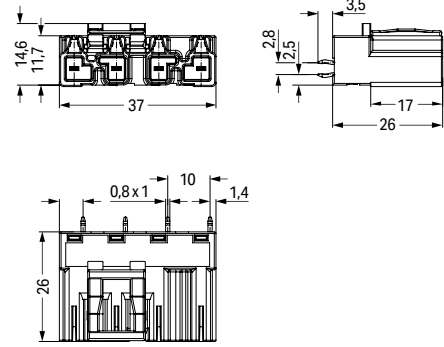
770-814

General mains applications

Color	Coding	Marking	Item no.	PU
● black	A	1/L' 2/L ⊕ N	770-814	50
○ white	A	1/L' 2/L ⊕ N	770-834	50

Control technology

Color	Coding	Marking	Item no.	PU
○ gray	B	4 3 2 1	770-854	50
○ gray	B	1/L' 2/L ⊕ N	770-854/060-000	50
○ gray	B	1 2 PE 3	770-854/062-000	50
○ gray	B	L 1L ⊕ 2L	770-854/064-000	50
● light green	B	4 3 2 1	770-874	50
● light green	B	X/Y U+ S U-	770-874/071-000	50
● light green	B	AI DI U+ U-	770-874/072-000	50
● light green	B	3 2 ⊕ 1	770-874/073-000	50
● pink	B	4 3 2 1	770-894	50
● pink	B	3 5 2 1	770-894/081-000	50



* ± 0.05 mm
Drilled hole diameter: 1.5^{+0.1} mm

Item-Specific Accessories



Lockout cap; for plugs; separable; Pole number: 5

Color	Item no.	PU
● yellow	770-360	100

PU = packaging unit; SPU = subpackaging unit; Dimensions in mm

Pluggable PCB connector ▶ WINSTA® MIDI ▶ 770 Series

Pole number: 4

angled ▶ Female connector/socket



770-804/011-000

angled ▶ Male connector/plug



770-814/011-000

General mains applications

Color	Coding	Marking	Item no.	PU
● black	A	N ⊕ 2/L 1/L'	770-804/011-000	50
○ white	A	N ⊕ 2/L 1/L'	770-824/011-000	50

Control technology

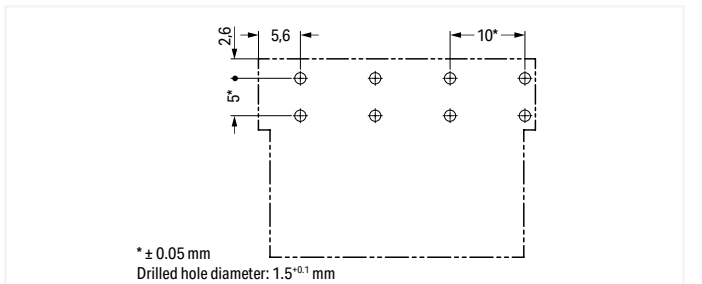
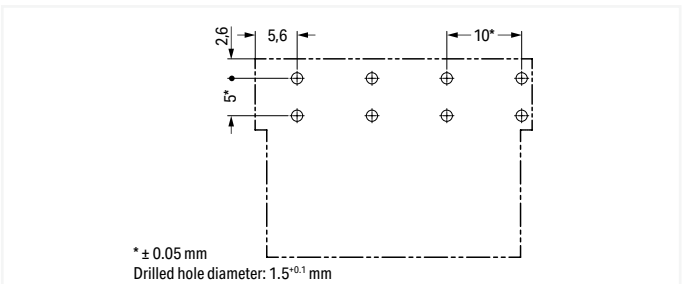
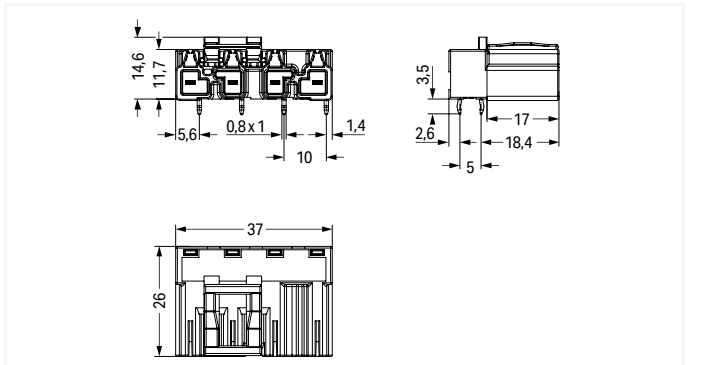
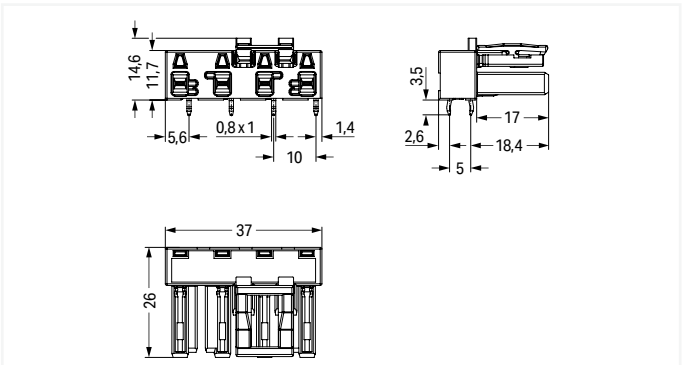
Color	Coding	Marking	Item no.	PU
○ gray	B	1 2 3 4	770-844/011-000	50
○ gray	B	N ⊕ 2/L 1/L'	770-844/011-000/060-000	50
○ gray	B	3 PE 2 1	770-844/011-000/062-000	50
○ gray	B	2L ⊕ 1L L	770-844/011-000/064-000	50
● light green	B	1 2 3 4	770-864/011-000	50
● light green	B	U- S U+ X/Y	770-864/011-000/071-000	50
● light green	B	U- U+ DI AI	770-864/011-000/072-000	50
● light green	B	1 ⊕ 2 3	770-864/011-000/073-000	50
● pink	B	1 2 3 4	770-884/011-000	50
● pink	B	1 2 5 3	770-884/011-000/081-000	50

General mains applications

Color	Coding	Marking	Item no.	PU
● black	A	1/L' 2/L ⊕ N	770-814/011-000	50
○ white	A	1/L' 2/L ⊕ N	770-834/011-000	50

Control technology

Color	Coding	Marking	Item no.	PU
○ gray	B	4 3 2 1	770-854/011-000	50
○ gray	B	1/L' 2/L ⊕ N	770-854/011-000/060-000	50
○ gray	B	1 2 PE 3	770-854/011-000/062-000	50
○ gray	B	L 1L ⊕ 2L	770-854/011-000/064-000	50
● light green	B	4 3 2 1	770-874/011-000	50
● light green	B	X/Y U+ S U-	770-874/011-000/071-000	50
● light green	B	AI DI U+ U-	770-874/011-000/072-000	50
● light green	B	3 2 ⊕ 1	770-874/011-000/073-000	50
● pink	B	4 3 2 1	770-894/011-000	50
● pink	B	3 5 2 1	770-894/011-000/081-000	50



Item-Specific Accessories



Lockout cap; for socket; separable; Pole number: 12

Color	Item no.	PU
● black	770-201	100
○ white	770-221	100



Lockout cap; for plugs; separable; Pole number: 5

Color	Item no.	PU
● yellow	770-360	100

PU = packaging unit; SPU = subpackaging unit; Dimensions in mm

Distribution connector ▶ WINSTA® MIDI ▶ 770 Series

Pole number: 4



- Protected against mismatching and maintenance-free
- Additional variable coding is possible.

Electrical data						
Coding	A			B		
Ratings per	IEC/EN 60664-1			IEC/EN 60664-1		
Overvoltage category	III	III	II	III	III	II
Pollution degree	3	2	2	3	2	2
Nominal voltage	400 V	-	-	400 V	-	-
Rated surge voltage	6 kV	-	-	6 kV	-	-
Rated current	25 A	-	-	25 A	-	-
Note (rated current)				25 A for 3-pole load 20 A for 4-pole load		
Approvals per	UL 1977			UL 1977		
Rated voltage	600 V			600 V		
Rated current	23 A			23 A		
Material Data						
Insulation material	Polyamide (PA66)					
Flammability class per UL94	V0					
Contact material	Copper or copper alloy; surface-treated					
Contact plating	Tin					
Mechanical Data						
Number of mating cycles	200, without resistive load					
Mating force of a plug-in connection	Approx. 20 ... 70 N (depending on pole number)					
Unmating force of a plug-in connection	Unlocked: approx. 20 ... 70 N (depending on pole number)					
Retention force of a plug-in connection	When locked: > 80 N					
Protection type	IP20					
Note on protection type	When mated: IP2xC (These compact connectors are not designed for use in open, easily accessible areas!)					
Environmental requirements						
Processing temperature	-5 ... +40 °C					
Continuous operating temperature	-35 ... +85 °C					
Note on continuous operating temperature	Insulating parts for temperatures ≤ 105 °C					

All WINSTA® components are 100% protected against mismatching when:

- plugging different numbers of poles
- plugging while rotated 180
- plugging while laterally staggered
- plugging one pole

All connectors for mounted installations (snap-in versions for lighting fixtures or devices, all types of PCB and distribution connectors) are factory-equipped with locking levers to ensure plugs and sockets are securely locked. Additional locking levers are only required for flying leads (plug/socket).

Coding Page 371

See technical section for further information

Approvals and corresponding ratings, visit www.wago.com

Distribution connector ▶ WINSTA® MIDI ▶ 770 Series

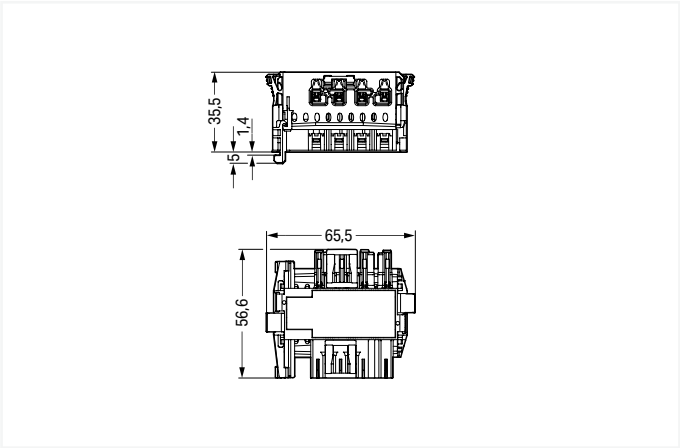
Pole number: 4

Linect® T-connector



770-6224

General mains applications				
Color	Coding	Marking	Item no.	PU
○ white	A	N ⊕ 2/L 1/L'	770-6224	25



2

Accessories; for all products on this page



Lockout cap; for socket; separable; Pole number: 12



Lockout cap; for plugs; separable; Pole number: 5

Color	Item no.	PU
● black	770-201	100
○ white	770-221	100

Color	Item no.	PU
● yellow	770-360	100

PU = packaging unit; SPU = subpackaging unit; Dimensions in mm

Distribution connector ▶ WINSTA® MIDI ▶ 770 Series

Pole number: 4

T-distribution connector

Number of locking levers: 2

for flying leads ▶ Number of locking levers: 3



770-626

770-627

General mains applications

Color	Coding	Marking	Item no.	PU
● black	A	N ⊕ 2/L 1/L'	770-626	50
○ white	A	N ⊕ 2/L 1/L'	770-676	50

General mains applications

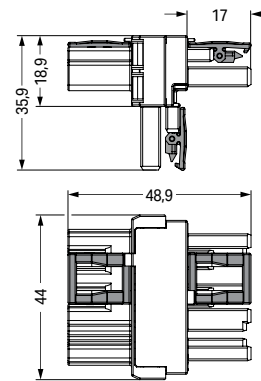
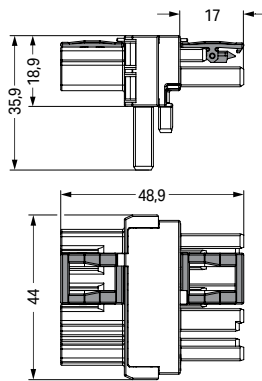
Color	Coding	Marking	Item no.	PU
● black	A	N ⊕ 2/L 1/L'	770-627	50
○ white	A	N ⊕ 2/L 1/L'	770-677	50

Control technology

Color	Coding	Marking	Item no.	PU
○ gray	B	1 2 3 4	770-1631	50
● light green	B	1 2 3 4	770-1632	50
● pink	B	1 2 3 4	770-1633	50

Control technology

Color	Coding	Marking	Item no.	PU
○ gray	B	1 2 3 4	770-1731	50
● light green	B	1 2 3 4	770-1732	50
● pink	B	1 2 3 4	770-1733	50



Accessories; for all products on this page



Lockout cap; for socket; separable; Pole number: 12



Mounting carrier; for T-distribution connectors; 2- to 5-pole



Lockout cap; for plugs; separable; Pole number: 5

Color	Item no.	PU
● black	770-201	100
○ white	770-221	100

Color	Item no.	PU
● silver-colored	770-354	50

Color	Item no.	PU
● yellow	770-360	100

PU = packaging unit; SPU = subpackaging unit; Dimensions in mm

Distribution connector ▶ WINSTA® MIDI ▶ 770 Series

Pole number: 4

h-distribution connector, outputs on one side

Number of locking levers: 2

for flying leads ▶ Number of locking levers: 3

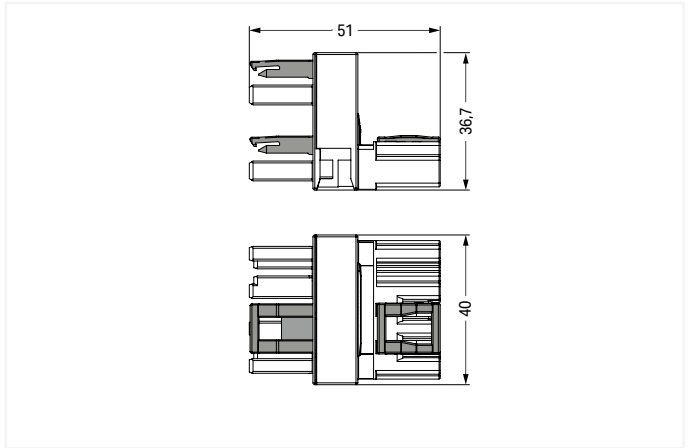
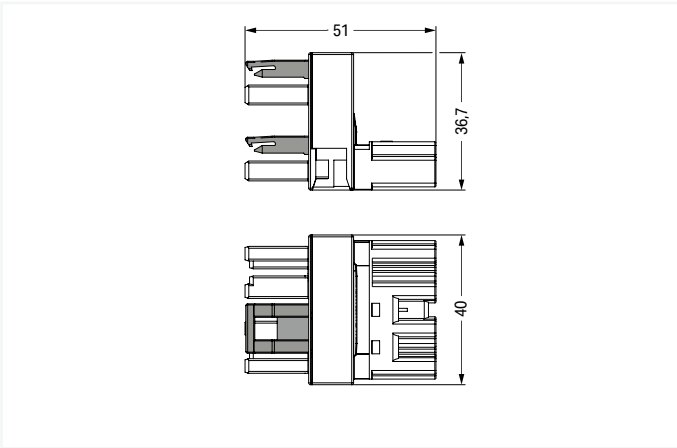


770-944

770-945

General mains applications				
Color	Coding	Marking	Item no.	PU
● black	A	N ⊕ 2/L 1/L'	770-944	25
○ white	A	N ⊕ 2/L 1/L'	770-994	25
Control technology				
Color	Coding	Marking	Item no.	PU
○ gray	B	1 2 3 4	770-1681	50
● light green	B	1 2 3 4	770-1682	50
● pink	B	1 2 3 4	770-1683	50

General mains applications				
Color	Coding	Marking	Item no.	PU
● black	A	N ⊕ 2/L 1/L'	770-945	25
○ white	A	N ⊕ 2/L 1/L'	770-995	25
Control technology				
Color	Coding	Marking	Item no.	PU
○ gray	B	1 2 3 4	770-1781	50
● light green	B	1 2 3 4	770-1782	50
● pink	B	1 2 3 4	770-1783	50



Accessories; for all products on this page



Lockout cap; for socket; separable; Pole number: 12



Lockout cap; for plugs; separable; Pole number: 5



Mounting plate; for distribution connectors (except T-distribution connectors); 4-pole

Color	Item no.	PU
● black	770-201	100
○ white	770-221	100

Color	Item no.	PU
● yellow	770-360	100

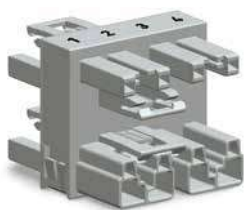
Color	Item no.	PU
● black	770-624	25
○ white	770-674	25

PU = packaging unit; SPU = subpackaging unit; Dimensions in mm

Distribution connector ▶ WINSTA® MIDI ▶ 770 Series

Pole number: 4

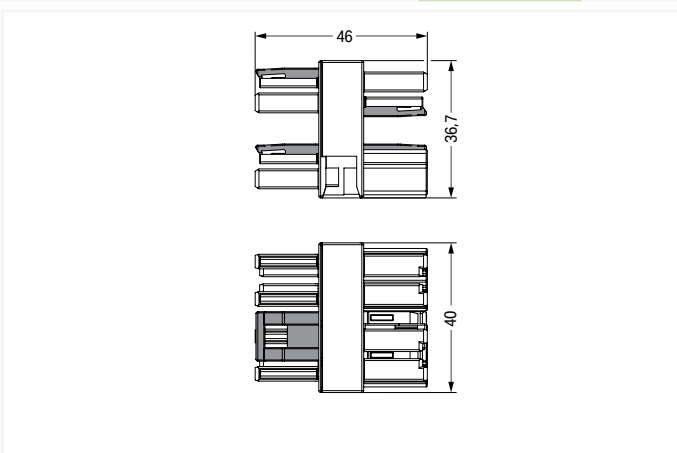
Distribution connector, 3-way ▶ Number of locking levers: 4



2

770-1734

Control technology				
Color	Coding	Marking	Item no.	PU
○ gray	B	1 2 3 4	770-1734	50
● light green	B	1 2 3 4	770-1735	50
● pink	B	1 2 3 4	770-1736	50



Accessories; for all products on this page



Lockout cap; for socket; separable; Pole number: 12



Lockout cap; for plugs; separable; Pole number: 5



Mounting plate; for distribution connectors (except T-distribution connectors); 4-pole

Color	Item no.	PU
● black	770-201	100
○ white	770-221	100

Color	Item no.	PU
● yellow	770-360	100

Color	Item no.	PU
● black	770-624	25
○ white	770-674	25

PU = packaging unit; SPU = subpackaging unit; Dimensions in mm

2

Cable assembly ▶ WINSTA® MIDI ▶ 771 SeriesPole number: 4 ▶ Protection type: IP20 ▶ Fire class per EN 50575: E_{ca}

- Protected against mismatching and maintenance-free
- Additional variable coding is possible.

Electrical data									
Coding	A; B			A			B		
Wire cross-section	1.5 mm ²			1.5 mm ²			1 mm ²		
Ratings per	IEC/EN 60664-1			IEC/EN 60664-1			IEC/EN 60664-1		
Oversvoltage category	III	III	II	III	III	II	III	III	II
Pollution degree	3	2	2	3	2	2	3	2	2
Nominal voltage	400 V	-	-	250 V	-	-	400 V	-	-
Rated surge voltage	6 kV	-	-	4 kV	-	-	6 kV	-	-
Rated current	16 A	-	-	16 A	-	-	10 A	-	-
Material Data									
Insulation material	Polyamide (PA66)								
Contact material	Copper or copper alloy; surface-treated								
Contact plating	Tin								
Fire class per EN 50575	E _{ca}								
Mechanical Data									
Number of mating cycles	200, without resistive load								
Mating force of a plug-in connection	approx. 20 ... 70 N (depending on pole number)								
Unmating force of a plug-in connection	when unlocked: approx. 20 ... 70 N (depending on pole number)								
Retention force of a plug-in connection	when locked: > 80N								
Protection type	IP20								
Note on protection type	When mated: IP2xC (These compact connectors are not designed for use in open, easily accessible areas!)								
Environmental requirements									
Processing temperature	-5 ... +40 °C								
Continuous operating temperature	-35 ... +85 °C								
Note on continuous operating temperature	Cable for temperatures ≤ 70 °C (including halogen-free) Insulating parts for temperatures ≤ 105 °C								

Cables with a different fire class can be found in the eShop.

All WINSTA® components are 100% protected against mismatching when:

- plugging different numbers of poles
- plugging while rotated 180
- plugging while laterally staggered
- plugging one pole

All connectors for mounted installations (snap-in versions for lighting fixtures or devices, all types of PCB and distribution connectors) are factory-equipped with locking levers to ensure plugs and sockets are securely locked. Additional locking levers are only required for flying leads (plug/socket).

Coding Page 371

Cover Page 372

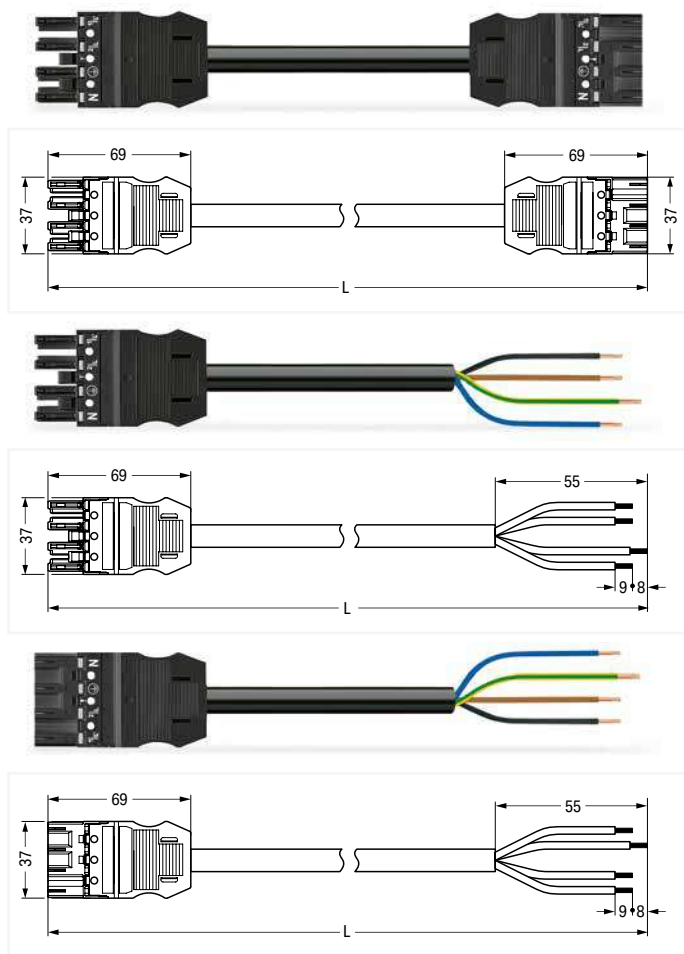
Marking Page 397

See technical section for further information

Approvals and corresponding ratings, visit www.wago.com

Cable assembly ▶ WINSTA® MIDI ▶ 771 Series

Pole number: 4 ▶ Protection type: IP20 ▶ Fire class per EN 50575: E_{ca} ▶ Coding: A ▶ 1.5 mm² ▶ Marking: N ⊕ 2/L 1/L' ▶ PVC ▶ Sheathed cable diameter: 8.4 ... 10.5 mm ▶ H05VV-F 4G1.5 ▶ General mains applications



Interconnecting cable ▶ Socket - Plug

Total length	Connector color / Strain relief color		PU
	black / black	white / white	
1 m	771-9994/006-101	771-9994/006-102	1
2 m	771-9994/006-201	771-9994/006-202	1
3 m	771-9994/006-301	771-9994/006-302	1
4 m	771-9994/006-401	771-9994/006-402	1
5 m	771-9994/006-501	771-9994/006-502	1
6 m	771-9994/006-601	771-9994/006-602	1
7 m	771-9994/006-701	771-9994/006-702	1
8 m	771-9994/006-801	771-9994/006-802	1

Connecting cable ▶ Socket - free end ▶ Strip length (outer insulation): 55 mm




Total length	Connector color / Strain relief color		PU
	black / black	white / white	
1 m	771-9994/106-101	771-9994/106-102	1
2 m	771-9994/106-201	771-9994/106-202	1
3 m	771-9994/106-301	771-9994/106-302	1
4 m	771-9994/106-401	771-9994/106-402	1
5 m	771-9994/106-501	771-9994/106-502	1
6 m	771-9994/106-601	771-9994/106-602	1
7 m	771-9994/106-701	771-9994/106-702	1
8 m	771-9994/106-801	771-9994/106-802	1

Connecting cable ▶ Plug - free end ▶ Strip length (outer insulation): 55 mm

Total length	Connector color / Strain relief color		PU
	black / black	white / white	
1 m	771-9994/206-101	771-9994/206-102	1
2 m	771-9994/206-201	771-9994/206-202	1
3 m	771-9994/206-301	771-9994/206-302	1
4 m	771-9994/206-401	771-9994/206-402	1
5 m	771-9994/206-501	771-9994/206-502	1
6 m	771-9994/206-601	771-9994/206-602	1
7 m	771-9994/206-701	771-9994/206-702	1
8 m	771-9994/206-801	771-9994/206-802	1

2

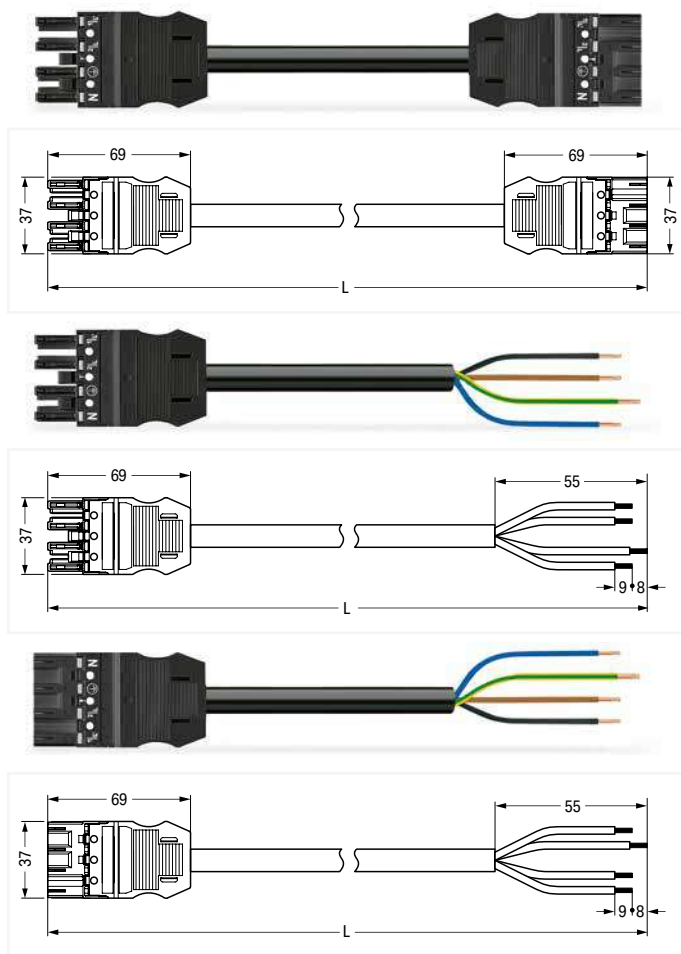
Accessories; for all products on this page

 Locking lever; for flying leads; manually operated			 Locking lever; for flying leads; tool operated			 Mounting carrier; for flying leads; 2- to 5-pole		
Color	Item no.	PU (SPU)	Color	Item no.	PU (SPU)	Color	Item no.	PU
● black	770-101	100 (25)	● black	770-111	100 (25)	● black	770-310	25
○ white	770-121	100 (25)	○ white	770-131	100 (25)			

PU = packaging unit; SPU = subpackaging unit; Dimensions in mm

Cable assembly ▶ WINSTA® MIDI ▶ 771 Series

Pole number: 4 ▶ Protection type: IP20 ▶ Fire class per EN 50575: E_{ca} ▶ Coding: A ▶ 1.5 mm² ▶ Marking: N ⊕ 2/L 1/L' ▶ Halogen-free ▶ Sheathed cable diameter: 8.4 ... 10.5 mm ▶ H05Z1Z1-F 4G1.5 ▶ General mains applications






Interconnecting cable ▶ Socket - Plug			
Total length	Connector color / Strain relief color		PU
	black / black	white / white	
1 m	771-9994/016-101	771-9994/016-102	1
2 m	771-9994/016-201	771-9994/016-202	1
3 m	771-9994/016-301	771-9994/016-302	1
4 m	771-9994/016-401	771-9994/016-402	1
5 m	771-9994/016-501	771-9994/016-502	1
6 m	771-9994/016-601	771-9994/016-602	1
7 m	771-9994/016-701	771-9994/016-702	1
8 m	771-9994/016-801	771-9994/016-802	1

Connecting cable ▶ Socket - free end ▶ Strip length (outer insulation): 55 mm			
Total length	Connector color / Strain relief color		PU
	black / black	white / white	
1 m	771-9994/116-101	771-9994/116-102	1
2 m	771-9994/116-201	771-9994/116-202	1
3 m	771-9994/116-301	771-9994/116-302	1
4 m	771-9994/116-401	771-9994/116-402	1
5 m	771-9994/116-501	771-9994/116-502	1
6 m	771-9994/116-601	771-9994/116-602	1
7 m	771-9994/116-701	771-9994/116-702	1
8 m	771-9994/116-801	771-9994/116-802	1

Connecting cable ▶ Plug - free end ▶ Strip length (outer insulation): 55 mm			
Total length	Connector color / Strain relief color		PU
	black / black	white / white	
1 m	771-9994/216-101	771-9994/216-102	1
2 m	771-9994/216-201	771-9994/216-202	1
3 m	771-9994/216-301	771-9994/216-302	1
4 m	771-9994/216-401	771-9994/216-402	1
5 m	771-9994/216-501	771-9994/216-502	1
6 m	771-9994/216-601	771-9994/216-602	1
7 m	771-9994/216-701	771-9994/216-702	1
8 m	771-9994/216-801	771-9994/216-802	1

Accessories; for all products on this page

 Locking lever; for flying leads; manually operated			 Locking lever; for flying leads; tool operated			 Mounting carrier; for flying leads; 2- to 5-pole		
Color	Item no.	PU (SPU)	Color	Item no.	PU (SPU)	Color	Item no.	PU
● black	770-101	100 (25)	● black	770-111	100 (25)	● black	770-310	25
○ white	770-121	100 (25)	○ white	770-131	100 (25)			

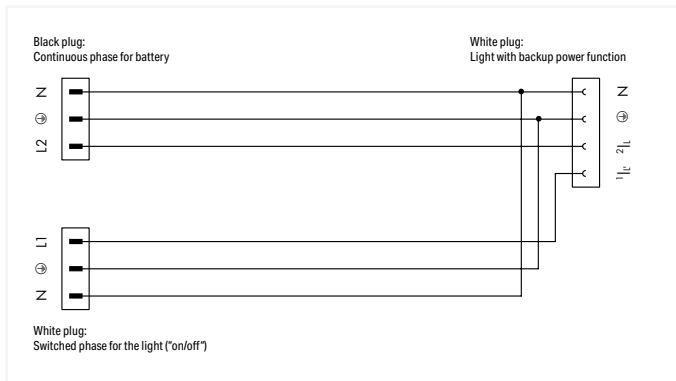
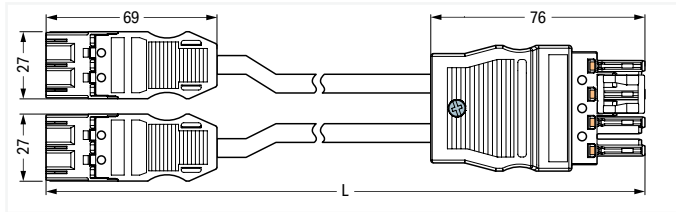
PU = packaging unit; SPU = subpackaging unit; Dimensions in mm

Cable assembly ▶ WINSTA® MIDI ▶ 771 Series

Pole number: 4 ▶ Protection type: IP20 ▶ Fire class per EN 50575: E_{ca} ▶ Coding: A ▶ 1.5 mm² ▶ PVC ▶ Sheathed cable diameter: 7.4 ... 9.4 mm ▶ H05VV-F 3G1.5 ▶ MIDI plug; MIDI plug - MIDI socket ▶ Backup power function



Y-cable			
Total length	Connector color / Strain relief color		PU
0.6 m	white / white		1
	771-5001/100-000		



This cable connects lights with backup power function (battery pack). The black 3-pole plug connects the continuous phase for the battery, while the white 3-pole plug connects the switched phase for the light ("on/off"). The white 4-pole socket can be directly plugged into the light.

2

Accessories; for all products on this page



Locking lever; for flying leads; manually operated



Locking lever; for flying leads; tool operated

Color	Item no.	PU (SPU)
● black	770-101	100 (25)
○ white	770-121	100 (25)

Color	Item no.	PU (SPU)
● black	770-111	100 (25)
○ white	770-131	100 (25)

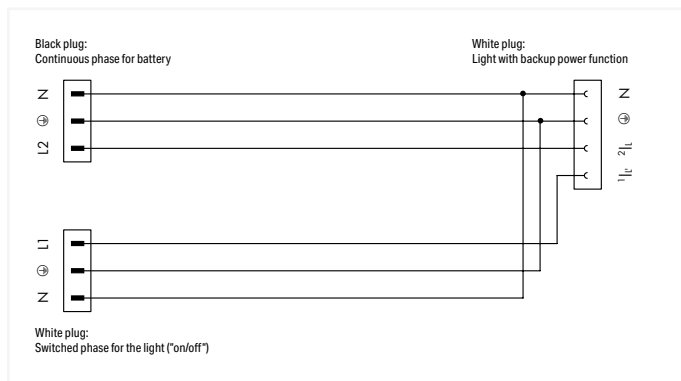
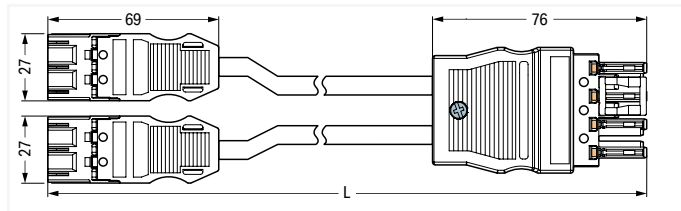
PU = packaging unit; SPU = subpackaging unit; Dimensions in mm

Cable assembly ▶ WINSTA® MIDI ▶ 771 Series

Pole number: 4 ▶ Protection type: IP20 ▶ Fire class per EN 50575: E_{ca} ▶ Coding: A ▶ 1.5 mm² ▶ Halogen-free ▶ Sheathed cable diameter: 7.4 ... 9.4 mm ▶ H05Z1Z1-F 3G1.5 ▶ MIDI plug; MIDI plug - MIDI socket ▶ Backup power function



Y-cable			
Total length	Connector color / Strain relief color		PU
0.6 m	white / white		1
	771-5001/110-000		



This cable connects lights with backup power function (battery pack). The black 3-pole plug connects the continuous phase for the battery, while the white 3-pole plug connects the switched phase for the light ("on/off"). The white 4-pole socket can be directly plugged into the light.

Accessories; for all products on this page



Locking lever; for flying leads; manually operated



Locking lever; for flying leads; tool operated

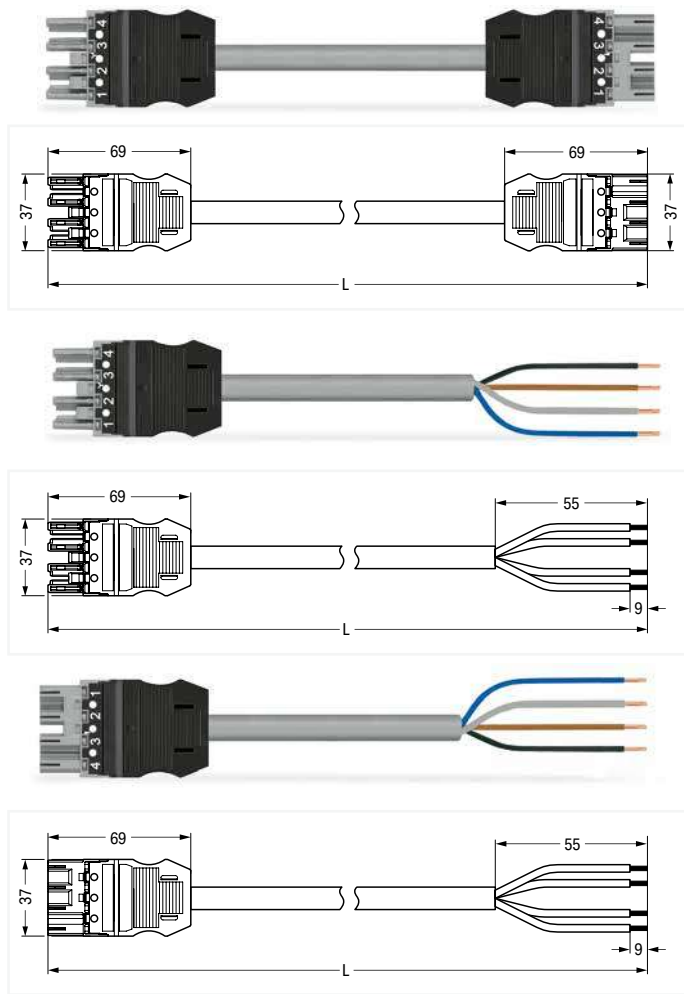
Color	Item no.	PU (SPU)
● black	770-101	100 (25)
○ white	770-121	100 (25)

Color	Item no.	PU (SPU)
● black	770-111	100 (25)
○ white	770-131	100 (25)

PU = packaging unit; SPU = subpackaging unit; Dimensions in mm

Cable assembly ▶ WINSTA® MIDI ▶ 771 Series

Pole number: 4 ▶ Protection type: IP20 ▶ Fire class per EN 50575: E_{ca} ▶ Coding: B ▶ 1 mm² ▶ Marking: 1 2 3 4 ▶ PVC ▶ Sheathed cable diameter: 7.1 ... 9 mm ▶ Control line 4 x 1 ▶ Control technology






Interconnecting cable ▶ Socket - Plug				
Total length	Connector color / Strain relief color			PU
	gray / black	light green / black	pink / black	
1 m	771-9994/005-103	771-9994/005-105	771-9994/005-107	1
2 m	771-9994/005-203	771-9994/005-205	771-9994/005-207	1
3 m	771-9994/005-303	771-9994/005-305	771-9994/005-307	1
4 m	771-9994/005-403	771-9994/005-405	771-9994/005-407	1
5 m	771-9994/005-503	771-9994/005-505	771-9994/005-507	1
6 m	771-9994/005-603	771-9994/005-605	771-9994/005-607	1
7 m	771-9994/005-703	771-9994/005-705	771-9994/005-707	1
8 m	771-9994/005-803	771-9994/005-805	771-9994/005-807	1

Connecting cable ▶ Socket - free end ▶ Strip length (outer insulation): 55 mm				
Total length	Connector color / Strain relief color			PU
	gray / black	light green / black	pink / black	
1 m	771-9994/105-103	771-9994/105-105	771-9994/105-107	1
2 m	771-9994/105-203	771-9994/105-205	771-9994/105-207	1
3 m	771-9994/105-303	771-9994/105-305	771-9994/105-307	1
4 m	771-9994/105-403	771-9994/105-405	771-9994/105-407	1
5 m	771-9994/105-503	771-9994/105-505	771-9994/105-507	1
6 m	771-9994/105-603	771-9994/105-605	771-9994/105-607	1
7 m	771-9994/105-703	771-9994/105-705	771-9994/105-707	1
8 m	771-9994/105-803	771-9994/105-805	771-9994/105-807	1

Connecting cable ▶ Plug - free end ▶ Strip length (outer insulation): 55 mm				
Total length	Connector color / Strain relief color			PU
	gray / black	light green / black	pink / black	
1 m	771-9994/205-103	771-9994/205-105	771-9994/205-107	1
2 m	771-9994/205-203	771-9994/205-205	771-9994/205-207	1
3 m	771-9994/205-303	771-9994/205-305	771-9994/205-307	1
4 m	771-9994/205-403	771-9994/205-405	771-9994/205-407	1
5 m	771-9994/205-503	771-9994/205-505	771-9994/205-507	1
6 m	771-9994/205-603	771-9994/205-605	771-9994/205-607	1
7 m	771-9994/205-703	771-9994/205-705	771-9994/205-707	1
8 m	771-9994/205-803	771-9994/205-805	771-9994/205-807	1

2

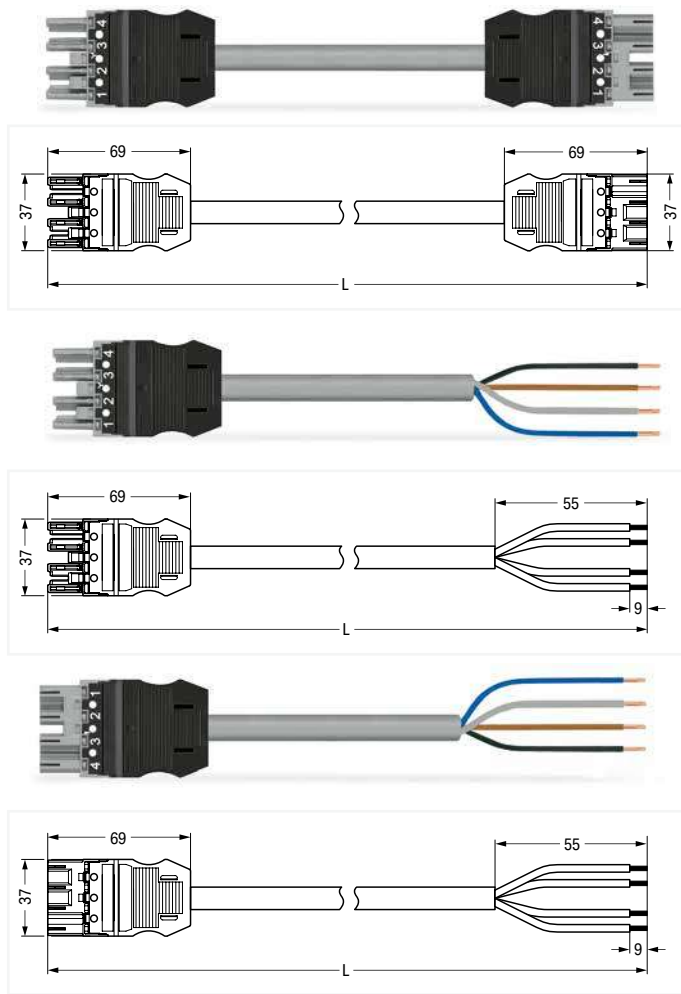
Accessories; for all products on this page

 Locking lever; for flying leads; manually operated			 Locking lever; for flying leads; tool operated			 Mounting carrier; for flying leads; 2- to 5-pole		
Color	Item no.	PU (SPU)	Color	Item no.	PU (SPU)	Color	Item no.	PU
● black	770-101	100 (25)	● black	770-111	100 (25)	● black	770-310	25
○ white	770-121	100 (25)	○ white	770-131	100 (25)			

PU = packaging unit; SPU = subpackaging unit; Dimensions in mm

Cable assembly ▶ WINSTA® MIDI ▶ 771 Series

Pole number: 4 ▶ Protection type: IP20 ▶ Fire class per EN 50575: E_{ca} ▶ Coding: B ▶ 1.5 mm² ▶ Marking: 1 2 3 4 ▶ PVC ▶ Sheathed cable diameter: 8.4 ... 10.5 mm ▶ Control line 4 x 1.5 ▶ Control technology






Interconnecting cable ▶ Socket - Plug				
Total length	Connector color / Strain relief color			PU
	gray / black	light green / black	pink / black	
1 m	771-9994/006-103	771-9994/006-105	771-9994/006-107	1
2 m	771-9994/006-203	771-9994/006-205	771-9994/006-207	1
3 m	771-9994/006-303	771-9994/006-305	771-9994/006-307	1
4 m	771-9994/006-403	771-9994/006-405	771-9994/006-407	1
5 m	771-9994/006-503	771-9994/006-505	771-9994/006-507	1
6 m	771-9994/006-603	771-9994/006-605	771-9994/006-607	1
7 m	771-9994/006-703	771-9994/006-705	771-9994/006-707	1
8 m	771-9994/006-803	771-9994/006-805	771-9994/006-807	1

Connecting cable ▶ Socket - free end ▶ Strip length (outer insulation): 55 mm				
Total length	Connector color / Strain relief color			PU
	gray / black	light green / black	pink / black	
1 m	771-9994/106-103	771-9994/106-105	771-9994/106-107	1
2 m	771-9994/106-203	771-9994/106-205	771-9994/106-207	1
3 m	771-9994/106-303	771-9994/106-305	771-9994/106-307	1
4 m	771-9994/106-403	771-9994/106-405	771-9994/106-407	1
5 m	771-9994/106-503	771-9994/106-505	771-9994/106-507	1
6 m	771-9994/106-603	771-9994/106-605	771-9994/106-607	1
7 m	771-9994/106-703	771-9994/106-705	771-9994/106-707	1
8 m	771-9994/106-803	771-9994/106-805	771-9994/106-807	1

Connecting cable ▶ Plug - free end ▶ Strip length (outer insulation): 55 mm				
Total length	Connector color / Strain relief color			PU
	gray / black	light green / black	pink / black	
1 m	771-9994/206-103	771-9994/206-105	771-9994/206-107	1
2 m	771-9994/206-203	771-9994/206-205	771-9994/206-207	1
3 m	771-9994/206-303	771-9994/206-305	771-9994/206-307	1
4 m	771-9994/206-403	771-9994/206-405	771-9994/206-407	1
5 m	771-9994/206-503	771-9994/206-505	771-9994/206-507	1
6 m	771-9994/206-603	771-9994/206-605	771-9994/206-607	1
7 m	771-9994/206-703	771-9994/206-705	771-9994/206-707	1
8 m	771-9994/206-803	771-9994/206-805	771-9994/206-807	1

Accessories; for all products on this page

 Locking lever; for flying leads; manually operated			 Locking lever; for flying leads; tool operated			 Mounting carrier; for flying leads; 2- to 5-pole		
Color	Item no.	PU (SPU)	Color	Item no.	PU (SPU)	Color	Item no.	PU
● black	770-101	100 (25)	● black	770-111	100 (25)	● black	770-310	25
○ white	770-121	100 (25)	○ white	770-131	100 (25)			

PU = packaging unit; SPU = subpackaging unit; Dimensions in mm

2

Pluggable connectors ▶ WINSTA® MIDI ▶ 770 Series

Pole number: 5 ▶ Protection type: IP20



- Protected against mismatching and maintenance-free
- Push-in CAGE CLAMP® spring pressure connection technology for direct termination of solid conductors
- Two wire connections per pole for loops or bridges
- Additional variable coding possible

Electrical data									
Coding	A; I; L; P			B			Q		
Ratings per	IEC/EN 60664-1			IEC/EN 60664-1			IEC/EN 60664-1		
Overvoltage category	III	III	II	III	III	II	III	III	II
Pollution degree	3	2	2	3	2	2	3	2	2
Nominal voltage	400 V	-	-	400 V	-	-	400 V	-	-
Rated surge voltage	6 kV	-	-	6 kV	-	-	6 kV	-	-
Rated current	25 A	-	-	25 A	-	-	32 A	-	-
Note (rated current)				25 A for 3-pole load 20 A for 4- and 5-pole load					
Approvals per	UL 1977			UL 1977			UL 1977		
Rated voltage	600 V			600 V			600 V		
Rated current	23 A			23 A			23 A		

Connection data	
Connection technology	Push-in CAGE CLAMP®
Strip length	9 mm / 0.35 inches
Nominal cross-section	4 mm ² / 12 AWG
Solid conductor	0.5 ... 4 mm ² / 20 ... 12 AWG
Solid conductor; push-in termination	1.5 ... 4 mm ² / 16 ... 12 AWG
Stranded conductor	0.5 ... 2.5 mm ² / 20 ... 14 AWG
Fine-stranded conductor	0.5 ... 4 mm ² / 20 ... 12 AWG
Fine-stranded conductor; with insulated ferrule	0.25 ... 1.5 mm ² / 20 ... 16 AWG
Fine-stranded conductor; with uninsulated ferrule	0.25 ... 2.5 mm ² / 20 ... 14 AWG
Fine-stranded conductor; with ferrule; push-in termination	1.5 mm ² / 16 AWG

Material Data	
Material group	I
Insulation material	Polyamide (PA66)
Flammability class per UL94	V0
Clamping spring material	Chrome-nickel spring steel (CrNi)
Contact material	Copper or copper alloy; surface-treated
Contact plating	Tin

Mechanical Data	
Number of mating cycles	200, without resistive load
Mating force of a plug-in connection	approx. 20 ... 70 N (depending on pole number)
Unmating force of a plug-in connection	Unlocked: approx. 20 ... 70 N (depending on pole number)
Retention force of a plug-in connection	Locked: > 80 N
Protection type	IP20
Note on protection type	When mated and secured with a strain relief housing: IP2xC (These compact connectors are not designed for use in open, easily accessible areas!)

Environmental requirements	
Processing temperature	-5 ... +40 °C
Continuous operating temperature	-35 ... +85 °C
Note on continuous operating temperature	Insulating parts for temperatures ≤ 105 °C

All WINSTA® components are 100% protected against mismatching when:

- plugging different numbers of poles
- plugging while rotated 180
- plugging while laterally staggered
- plugging one pole

All connectors for mounted installations (snap-in versions for lighting fixtures or devices, all types of PCB and distribution connectors) are factory-equipped with locking levers to ensure plugs and sockets are securely locked. Additional locking levers are only required for flying leads (plug/socket).

Coding	Page 371
Cover	Page 372
Installation	Page 383
Marking	Page 397
Tool	Page 392

See technical section for further information

Approvals and corresponding ratings, visit www.wago.com

Pluggable connectors ▶ WINSTA® MIDI ▶ 770 Series

Pole number: 5 ▶ Protection type: IP20

Number of connection points: 2 ▶ Strain relief housing ▶ Female connector/socket ▶ Strip length (outer insulation): 55 mm ▶ Connectable sheathed cable diameter : 9 ... 13 mm

Number of connection points: 2 ▶ Strain relief housing ▶ Male connector/plug ▶ Strip length (outer insulation): 55 mm ▶ Connectable sheathed cable diameter : 9 ... 13 mm

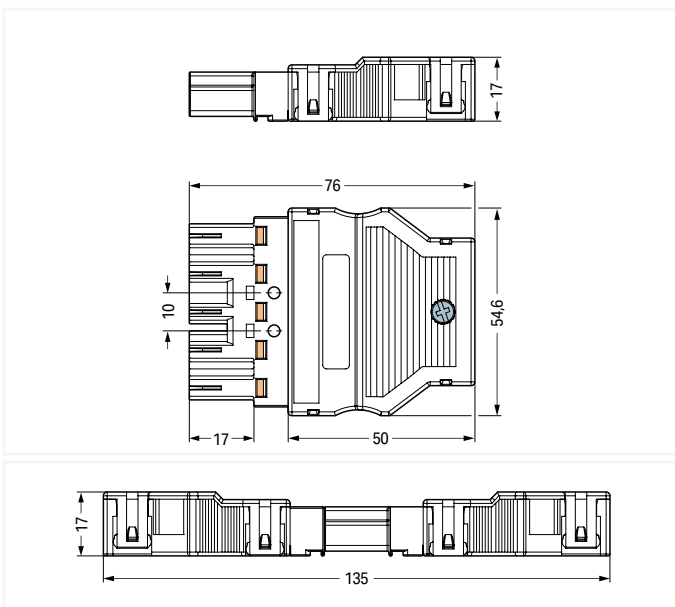
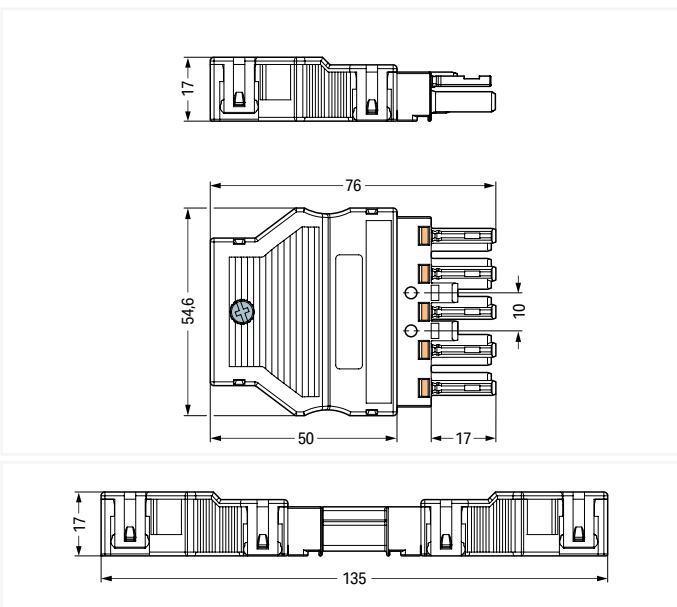


770-105

770-115

General mains applications				
Color	Coding	Marking	Item no.	PU
● black	A	N ⊕ L1 L2 L3	770-105	25
○ white	A	N ⊕ L1 L2 L3	770-125	25

General mains applications				
Color	Coding	Marking	Item no.	PU
● black	A	L3 L2 L1 ⊕ N	770-115	25
○ white	A	L3 L2 L1 ⊕ N	770-135	25



Overall length when mated

Overall length when mated

Item-Specific Accessories

Item-Specific Accessories



Lockout cap; for socket; separable; Pole number: 12

Color	Item no.	PU
● black	770-201	100
○ white	770-221	100



Lockout cap; for plugs; separable; Pole number: 5

Color	Item no.	PU
● yellow	770-360	100

Accessories; for all products on this page



Locking lever; for flying leads; manually operated

Color	Item no.	PU (SPU)
● black	770-101	100 (25)
○ white	770-121	100 (25)



Locking lever; for flying leads; tool operated

Color	Item no.	PU (SPU)
● black	770-111	100 (25)
○ white	770-131	100 (25)

PU = packaging unit; SPU = subpackaging unit; Dimensions in mm

Pluggable connectors ▶ WINSTA® MIDI ▶ 770 Series

Pole number: 5 ▶ Protection type: IP20

Number of connection points: 2 ▶ Female connector/socket



770-205

General mains applications

Color	Coding	Marking	Item no.	PU
● black	A	N ⊕ L1 L2 L3	770-205	50
○ white	A	N ⊕ L1 L2 L3	770-225	50

Control technology

Color	Coding	Marking	Item no.	PU
○ gray	B	1 2 3 4 5	770-245	50
○ gray	B	N ⊕ L1 L2 L3	770-245/060-000	50
○ gray	B	N PE 3 2 1	770-245/062-000	50
○ gray	B	N ⊕ L 2L 1L	770-245/064-000	50
● light green	B	1 2 3 4 5	770-265	50
● light green	B	1 ⊕ 2 3 4	770-265/073-000	50
● pink	B	1 2 3 4 5	770-285	50
● pink	B	N ⊕ L I- I+	770-285/080-000	50
● pink	B	N ⊕ L - +	770-285/082-000	50

DALI, Lighting Management

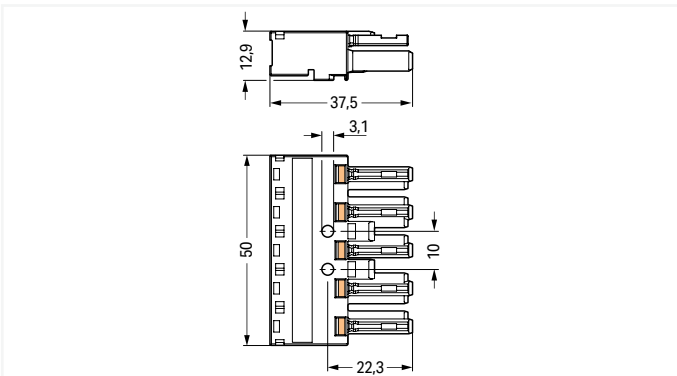
Color	Coding	Marking	Item no.	PU
● blue	I	N ⊕ L DA- DA+	770-1105	50

Emergency power supply


Color	Coding	Marking	Item no.	PU
● dark gray	L	N ⊕ L N' L'	770-1165	50

EDV (UPS)


Color	Coding	Marking	Item no.	PU
● red	P	N ⊕ L1 L2 L3	770-1305	50




Accessories; for all products on this page

 Locking lever; for flying leads; manually operated


Color	Item no.	PU (SPU)
● black	770-101	100 (25)
○ white	770-121	100 (25)

 Locking lever; for flying leads; tool operated


Color	Item no.	PU (SPU)
● black	770-111	100 (25)
○ white	770-131	100 (25)

 Lockout cap; for socket; separable; Pole number: 12


Color	Item no.	PU
● black	770-201	100
○ white	770-221	100

 Strain relief housing; Connectable sheathed cable diameter: 9 ... 13 mm; Strip length (outer insulation): 55 mm

Color	Item no.	PU
● black	770-505	25
○ white	770-515	25

 Strain relief housing; Connectable sheathed cable diameter: 11.5 ... 16.5 mm; Strip length (outer insulation): 71 mm

Color	Item no.	PU
● black	770-505/021-000	25
○ white	770-515/021-000	25

 Strain relief housing; Connectable sheathed cable diameter: 5 ... 9 mm; Strip length (outer insulation): 55 mm

Color	Item no.	PU
● black	770-505/023-000	25
○ white	770-515/023-000	25

PU = packaging unit; SPU = subpackaging unit; Dimensions in mm

Pluggable connectors ▶ WINSTA® MIDI ▶ 770 Series

Pole number: 5 ▶ Protection type: IP20

Number of connection points: 2 ▶ Male connector/plug



770-215

General mains applications

Color	Coding	Marking	Item no.	PU
● black	A	L3 L2 L1 ⊕ N	770-215	50
○ white	A	L3 L2 L1 ⊕ N	770-235	50

Control technology

Color	Coding	Marking	Item no.	PU
○ gray	B	5 4 3 2 1	770-255	50
○ gray	B	L3 L2 L1 ⊕ N	770-255/060-000	50
○ gray	B	1 2 3 PE N	770-255/062-000	50
○ gray	B	1L 2L L ⊕ N	770-255/064-000	50
● light green	B	5 4 3 2 1	770-275	50
● light green	B	4 3 2 ⊕ 1	770-275/073-000	50
● pink	B	5 4 3 2 1	770-295	50
● pink	B	I+ I- L ⊕ N	770-295/080-000	50
● pink	B	+ - L ⊕ N	770-295/082-000	50

for "Clean Ground" applications

Color	Coding	Marking	Item no.	PU
● green	Q	L PE3 PE2 PE1 N	770-1335	50

DALI, Lighting Management

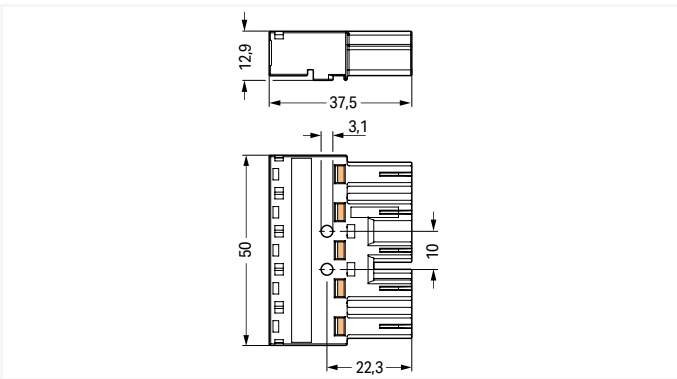
Color	Coding	Marking	Item no.	PU
● blue	I	DA+ DA- L ⊕ N	770-1115	50

Emergency power supply

Color	Coding	Marking	Item no.	PU
● dark gray	L	L' N' L ⊕ N	770-1175	50

EDV (UPS)

Color	Coding	Marking	Item no.	PU
● red	P	L3 L2 L1 ⊕ N	770-1315	50



Accessories; for all products on this page

Locking lever; for flying leads; manually operated

Color	Item no.	PU (SPU)
● black	770-101	100 (25)
○ white	770-121	100 (25)

Locking lever; for flying leads; tool operated

Color	Item no.	PU (SPU)
● black	770-111	100 (25)
○ white	770-131	100 (25)

Lockout cap; for plugs; separable; Pole number: 5

Color	Item no.	PU
● yellow	770-360	100

Strain relief housing; Connectable sheathed cable diameter: 9 ... 13 mm; Strip length (outer insulation): 55 mm

Color	Item no.	PU
● black	770-505	25
○ white	770-515	25

Strain relief housing; Connectable sheathed cable diameter: 11.5 ... 16.5 mm; Strip length (outer insulation): 71 mm

Color	Item no.	PU
● black	770-505/021-000	25
○ white	770-515/021-000	25

Strain relief housing; Connectable sheathed cable diameter: 5 ... 9 mm; Strip length (outer insulation): 55 mm

Color	Item no.	PU
● black	770-505/023-000	25
○ white	770-515/023-000	25

PU = packaging unit; SPU = subpackaging unit; Dimensions in mm

Pluggable connectors ▶ WINSTA® MIDI ▶ 770 Series

Pole number: 5 ▶ Protection type: IP20

Number of connection points: 1 ▶ Strain relief housing ▶ Female connector/socket ▶ Strip length (outer insulation): 55 mm ▶ Connectable sheathed cable diameter : 9 ... 13 mm

Number of connection points: 1 ▶ Strain relief housing ▶ Male connector/plug ▶ Strip length (outer insulation): 55 mm ▶ Connectable sheathed cable diameter : 9 ... 13 mm



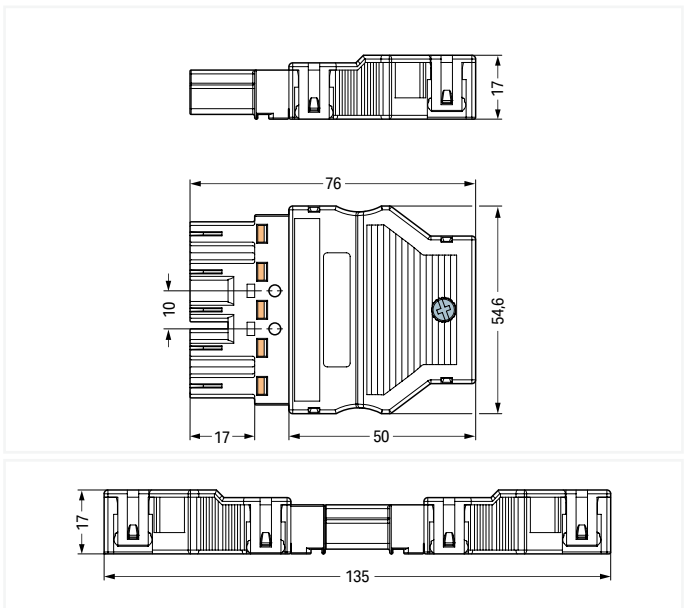
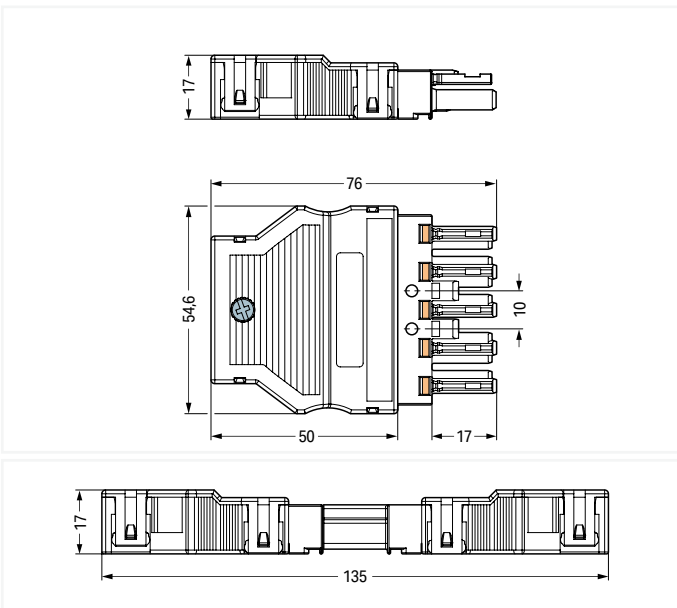
2

770-305

770-315

General mains applications				
Color	Coding	Marking	Item no.	PU
● black	A	N ⊕ L1 L2 L3	770-305	25
○ white	A	N ⊕ L1 L2 L3	770-325	25

General mains applications				
Color	Coding	Marking	Item no.	PU
● black	A	L3 L2 L1 ⊕ N	770-315	25
○ white	A	L3 L2 L1 ⊕ N	770-335	25



Overall length when mated

Overall length when mated

Item-Specific Accessories

Item-Specific Accessories



Lockout cap; for socket; separable; Pole number: 12

Color	Item no.	PU
● black	770-201	100
○ white	770-221	100



Lockout cap; for plugs; separable; Pole number: 5

Color	Item no.	PU
● yellow	770-360	100

Accessories; for all products on this page



Locking lever; for flying leads; manually operated

Color	Item no.	PU (SPU)
● black	770-101	100 (25)
○ white	770-121	100 (25)



Locking lever; for flying leads; tool operated

Color	Item no.	PU (SPU)
● black	770-111	100 (25)
○ white	770-131	100 (25)

PU = packaging unit; SPU = subpackaging unit; Dimensions in mm

Pluggable connectors ▶ WINSTA® MIDI ▶ 770 Series

Pole number: 5 ▶ Protection type: IP20

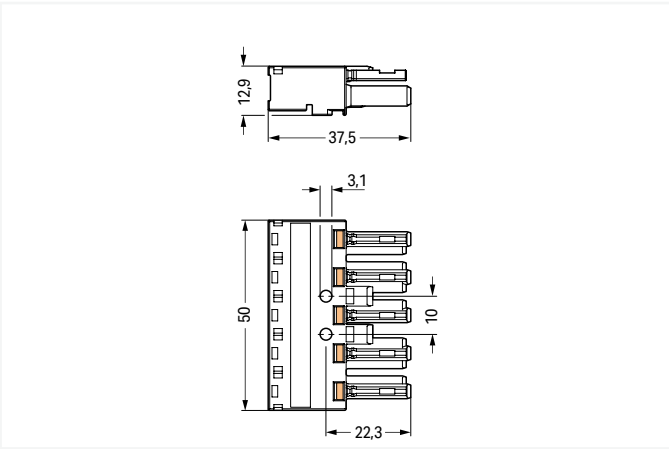
Number of connection points: 1 ▶ Female connector/socket

Number of connection points: 1 ▶ Male connector/plug



770-405

General mains applications				
Color	Coding	Marking	Item no.	PU
● black	A	N ⊕ L1 L2 L3	770-405	50
○ white	A	N ⊕ L1 L2 L3	770-425	50



Item-Specific Accessories

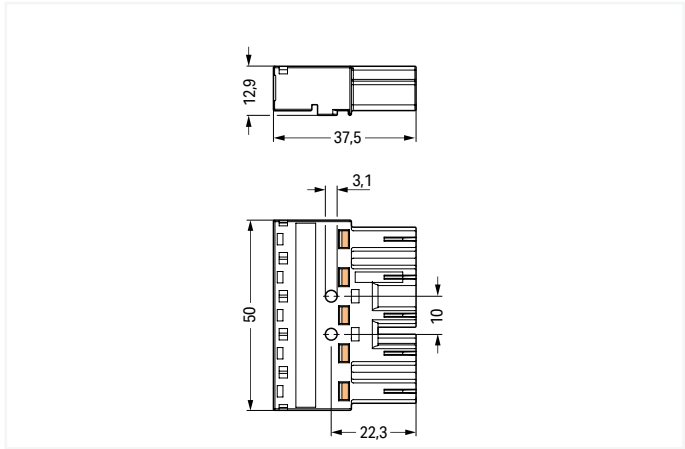


Lockout cap; for socket; separable; Pole number: 12

Color	Item no.	PU
● black	770-201	100
○ white	770-221	100

770-415

General mains applications				
Color	Coding	Marking	Item no.	PU
● black	A	L3 L2 L1 ⊕ N	770-415	50
○ white	A	L3 L2 L1 ⊕ N	770-435	50



Item-Specific Accessories



Lockout cap; for plugs; separable; Pole number: 5

Color	Item no.	PU
● yellow	770-360	100

2

Accessories; for all products on this page



Locking lever; for flying leads; manually operated

Color	Item no.	PU (SPU)
● black	770-101	100 (25)
○ white	770-121	100 (25)



Locking lever; for flying leads; tool operated

Color	Item no.	PU (SPU)
● black	770-111	100 (25)
○ white	770-131	100 (25)

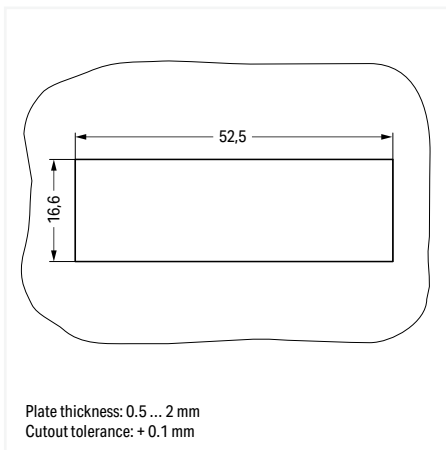
PU = packaging unit; SPU = subpackaging unit; Dimensions in mm

Snap-in device connector ▶ WINSTA® MIDI ▶ 770 Series

Pole number: 5 ▶ Number of connection points: 2 ▶ Protection type: IP20



- Protected against mismatching and maintenance-free
- Push-in CAGE CLAMP® spring pressure connection technology allows solid conductors to be simply pushed into a unit.
- Two wire connections per pole for loops or bridges
- Additional variable coding is possible.



Electrical data									
Coding	A; I; P			B			Q		
Ratings per	IEC/EN 60664-1			IEC/EN 60664-1			IEC/EN 60664-1		
Overvoltage category	III	III	II	III	III	II	III	III	II
Pollution degree	3	2	2	3	2	2	3	2	2
Nominal voltage	400 V	-	-	400 V	-	-	400 V	-	-
Rated surge voltage	6 kV	-	-	6 kV	-	-	6 kV	-	-
Rated current	25 A	-	-	25 A	-	-	32 A	-	-
Note (rated current)				25 A for 3-pole load 20 A for 4- and 5-pole load					
Approvals per	UL 1977			UL 1977			UL 1977		
Rated voltage	600 V			600 V			600 V		
Rated current	23 A			23 A			23 A		

Connection data	
Connection technology	Push-in CAGE CLAMP®
Strip length	9 mm / 0.35 inches
Nominal cross-section	4 mm ² / 12 AWG
Solid conductor	0.5 ... 4 mm ² / 20 ... 12 AWG
Solid conductor; push-in termination	1.5 ... 4 mm ² / 16 ... 12 AWG
Stranded conductor	0.5 ... 2.5 mm ² / 20 ... 14 AWG
Fine-stranded conductor	0.5 ... 4 mm ² / 20 ... 12 AWG
Fine-stranded conductor; with insulated ferrule	0.25 ... 1.5 mm ² / 20 ... 16 AWG
Fine-stranded conductor; with uninsulated ferrule	0.25 ... 2.5 mm ² / 20 ... 14 AWG
Fine-stranded conductor; with ferrule; push-in termination	1.5 mm ² / 16 AWG

Material Data	
Insulation material	Polyamide (PA66)
Flammability class per UL94	V0
Clamping spring material	Chrome-nickel spring steel (CrNi)
Contact material	Copper or copper alloy; surface-treated
Contact plating	Tin

Mechanical Data	
Number of mating cycles	200, without resistive load
Mating force of a plug-in connection	approx. 20 ... 70 N (depending on pole number)
Unmating force of a plug-in connection	Unlocked: approx. 20 ... 70 N (depending on pole number)
Retention force of a plug-in connection	Locked: > 80 N
Protection type	IP20
Note on protection type	When mated: IP20x (These compact connectors are not designed for use in open, easily accessible areas!)

Environmental requirements	
Processing temperature	-5 ... +40 °C
Continuous operating temperature	-35 ... +85 °C
Note on continuous operating temperature	Insulating parts for temperatures ≤ 105 °C

All WINSTA® components are 100% protected against mismatching when:

- plugging different numbers of poles
- plugging while rotated 180
- plugging while laterally staggered
- plugging one pole

All connectors for mounted installations (snap-in versions for lighting fixtures or devices, all types of PCB and distribution connectors) are factory-equipped with locking levers to ensure plugs and sockets are securely locked. Additional locking levers are only required for flying leads (plug/socket).

Tool Page 392

See technical section for further information

Approvals and corresponding ratings, visit www.wago.com

Snap-in device connector ▶ WINSTA® MIDI ▶ 770 Series

Pole number: 5 ▶ Number of connection points: 2 ▶ Protection type: IP20

Female connector/socket



770-705

General mains applications

Color	Coding	Marking	Item no.	PU
● black	A	N ⊕ L1 L2 L3	770-705	50
○ white	A	N ⊕ L1 L2 L3	770-725	50

Control technology

Color	Coding	Marking	Item no.	PU
○ gray	B	1 2 3 4 5	770-745	50
○ gray	B	N ⊕ L1 L2 L3	770-745/060-000	50
○ gray	B	N PE 3 2 1	770-745/062-000	50
○ gray	B	N ⊕ L 2L 1L	770-745/064-000	50
● light green	B	1 2 3 4 5	770-765	50
● light green	B	1 ⊕ 2 3 4	770-765/073-000	50
● pink	B	1 2 3 4 5	770-785	50
● pink	B	N ⊕ L I- I+	770-785/080-000	50
● pink	B	N ⊕ L - +	770-785/082-000	50

DALI, Lighting Management

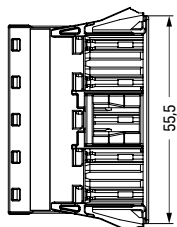
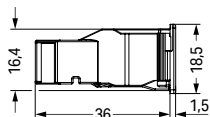
Color	Coding	Marking	Item no.	PU
● blue	I	N ⊕ L DA- DA+	770-2105	50

EDV (UPS)

Color	Coding	Marking	Item no.	PU
● red	P	N ⊕ L1 L2 L3	770-2305	50

for "Clean Ground" applications

Color	Coding	Marking	Item no.	PU
● green	Q	N PE1 PE2 PE3 L	770-2325	50



Accessories; for all products on this page



Lockout cap; for socket; separable;
Pole number: 12



Lockout cap; for cutout; Pole number: 5

Color	Item no.	PU
● black	770-201	100
○ white	770-221	100

Color	Item no.	PU
● black	770-645	100
○ white	770-695	100

PU = packaging unit; SPU = subpackaging unit; Dimensions in mm

Snap-in device connector ▶ WINSTA® MIDI ▶ 770 Series

Pole number: 5 ▶ Number of connection points: 2 ▶ Protection type: IP20

Male connector/plug



2

770-715

General mains applications

Color	Coding	Marking	Item no.	PU
● black	A	L3 L2 L1 ⊕ N	770-715	50
○ white	A	L3 L2 L1 ⊕ N	770-735	50

Control technology

Color	Coding	Marking	Item no.	PU
○ gray	B	5 4 3 2 1	770-755	50
○ gray	B	L3 L2 L1 ⊕ N	770-755/060-000	50
○ gray	B	1 2 3 PE N	770-755/062-000	50
○ gray	B	1L 2L L ⊕ N	770-755/064-000	50
● light green	B	5 4 3 2 1	770-775	50
● light green	B	4 3 2 ⊕ 1	770-775/073-000	50
● pink	B	5 4 3 2 1	770-795	50
● pink	B	I+ I- L ⊕ N	770-795/080-000	50
● pink	B	+ - L ⊕ N	770-795/082-000	50

DALI, Lighting Management

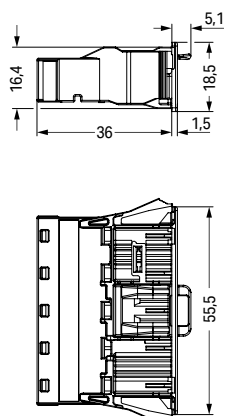
Color	Coding	Marking	Item no.	PU
● blue	I	DA+ DA- L ⊕ N	770-2115	50

EDV (UPS)

Color	Coding	Marking	Item no.	PU
● red	P	L3 L2 L1 ⊕ N	770-2315	50

for "Clean Ground" applications

Color	Coding	Marking	Item no.	PU
● green	Q	L PE3 PE2 PE1 N	770-2335	50



Accessories; for all products on this page



Lockout cap; for plugs; separable; Pole number: 5



Lockout cap; for cutout; Pole number: 5

Color	Item no.	PU
● yellow	770-360	100

Color	Item no.	PU
● black	770-645	100
○ white	770-695	100

PU = packaging unit; SPU = subpackaging unit; Dimensions in mm

Snap-in device connector ▶ WINSTA® MIDI ▶ 770 Series

Pole number: 5 ▶ Number of connection points: 2 ▶ Protection type: IP20

with protruding interface ▶ Female connector/socket

with direct ground contact ▶ Male connector/plug



770-705/009-000

770-715/007-000

General mains applications

Color	Coding	Marking	Item no.	PU
● black	A	N ⊕ L1 L2 L3	770-705/009-000	50
○ white	A	N ⊕ L1 L2 L3	770-725/009-000	50

General mains applications

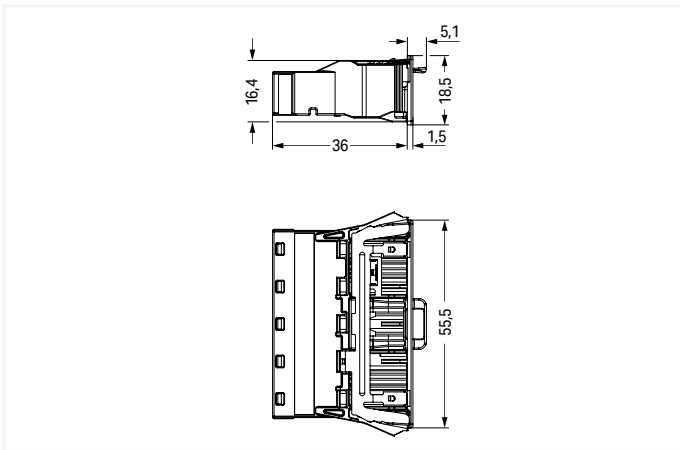
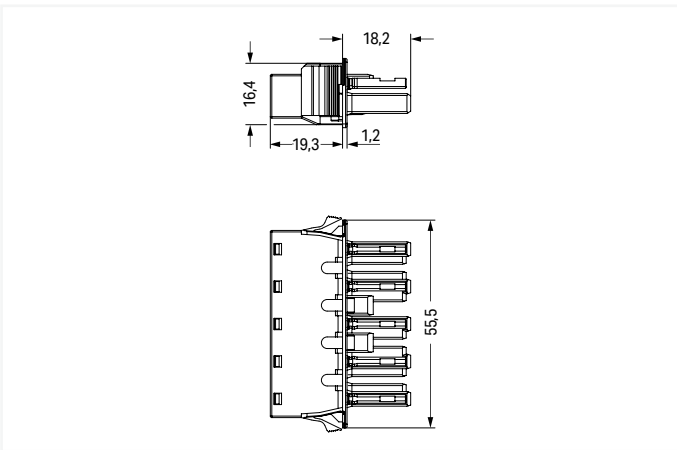
Color	Coding	Marking	Item no.	PU
● black	A	L3 L2 L1 ⊕ N	770-715/007-000	50
○ white	A	L3 L2 L1 ⊕ N	770-735/007-000	50

DALI, Lighting Management

Color	Coding	Marking	Item no.	PU
● blue	I	DA+ DA- L ⊕ N	770-2115/007-000	50

for "Clean Ground" applications

Color	Coding	Marking	Item no.	PU
● green	Q	L PE3 PE2 PE1 N	770-2335/007-000	50



Item-Specific Accessories

Item-Specific Accessories



Lockout cap; for socket; separable; Pole number: 12

Color	Item no.	PU
● black	770-201	100
○ white	770-221	100



Lockout cap; for plugs; separable; Pole number: 5

Color	Item no.	PU
● yellow	770-360	100

Accessories; for all products on this page



Lockout cap; for cutout; Pole number: 5

Color	Item no.	PU
● black	770-645	100
○ white	770-695	100

PU = packaging unit; SPU = subpackaging unit; Dimensions in mm

Pluggable PCB connector ▶ WINSTA® MIDI ▶ 770 Series

Pole number: 5



- Protected against mismatching and maintenance-free
- Push-in CAGE CLAMP® spring pressure connection technology for direct termination of solid conductors
- Additional variable coding possible

Electrical data						
Coding	A; I			B		
Ratings per	IEC/EN 60664-1			IEC/EN 60664-1		
Overvoltage category	III	III	II	III	III	II
Pollution degree	3	2	2	3	2	2
Nominal voltage	400 V	-	-	400 V	-	-
Rated surge voltage	6 kV	-	-	6 kV	-	-
Rated current	25 A	-	-	25 A	-	-
Note (rated current)				25 A for 3-pole load 20 A for 4- and 5-pole load		
Approvals per	UL 1977			UL 1977		
Rated voltage	600 V			600 V		
Rated current	23 A			23 A		

Material Data	
Insulation material	Polyamide (PA66)
Flammability class per UL94	V0
Clamping spring material	Chrome-nickel spring steel (CrNi)
Contact material	Copper or copper alloy; surface-treated
Contact plating	Tin

Mechanical Data	
Solder pin arrangement	2 in-line solder pins/pole
Number of solder pins per potential	2
Solder pin length	3.5 mm
Solder pin dimensions	1 x 0.8 mm
Drilled hole diameter with tolerance	1.5 ^{+0.1 ... +0.1} mm
Number of mating cycles	200, without resistive load
Mating force of a plug-in connection	approx. 20 ... 70 N (depending on pole number)
Unmating force of a plug-in connection	Unlocked: approx. 20 ... 70 N (depending on pole number)
Retention force of a plug-in connection	Locked: > 80 N

Environmental requirements	
Processing temperature	-5 ... +40 °C
Continuous operating temperature	-35 ... +85 °C
Note on continuous operating temperature	Insulating parts for temperatures ≤ 105 °C

All WINSTA® components are 100% protected against mismatching when:

- plugging different numbers of poles
- plugging while rotated 180
- plugging while laterally staggered
- plugging one pole

All connectors for mounted installations (snap-in versions for lighting fixtures or devices, all types of PCB and distribution connectors) are factory-equipped with locking levers to ensure plugs and sockets are securely locked. Additional locking levers are only required for flying leads (plug/socket).

Coding Page 371

See technical section for further information

Approvals and corresponding ratings, visit www.wago.com

Pluggable PCB connector ▶ WINSTA® MIDI ▶ 770 Series

Pole number: 5

straight ▶ Female connector/socket



770-805

straight ▶ Male connector/plug



770-815

General mains applications

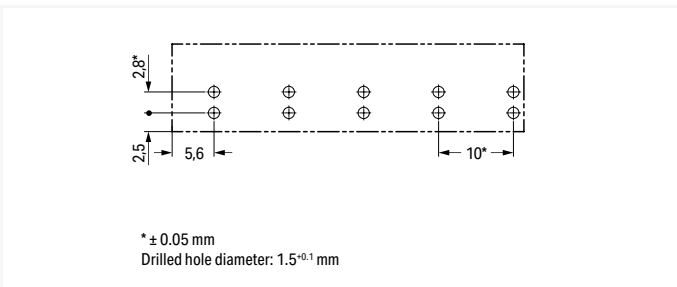
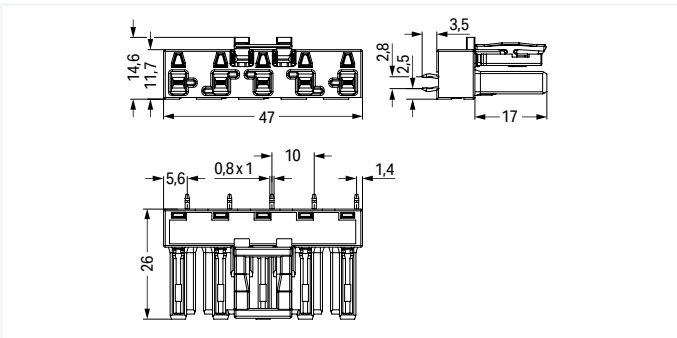
Color	Coding	Marking	Item no.	PU
● black	A	N ⊕ L1 L2 L3	770-805	50
○ white	A	N ⊕ L1 L2 L3	770-825	50

Control technology

Color	Coding	Marking	Item no.	PU
○ gray	B	1 2 3 4 5	770-845	50
○ gray	B	N ⊕ L1 L2 L3	770-845/060-000	50
○ gray	B	N PE 3 2 1	770-845/062-000	50
○ gray	B	N ⊕ L 2L 1L	770-845/064-000	50
● light green	B	1 2 3 4 5	770-865	50
● light green	B	1 ⊕ 2 3 4	770-865/073-000	50
● pink	B	1 2 3 4 5	770-885	50
● pink	B	N ⊕ L I- I+	770-885/080-000	50
● pink	B	N ⊕ L - +	770-885/082-000	50

DALI, Lighting Management

Color	Coding	Marking	Item no.	PU
● blue	I	N ⊕ L DA- DA+	770-3105	50



Item-Specific Accessories



Lockout cap; for socket; separable;
Pole number: 12

Color	Item no.	PU
● black	770-201	100
○ white	770-221	100

General mains applications

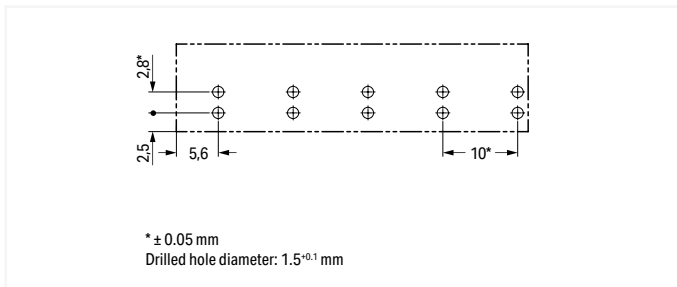
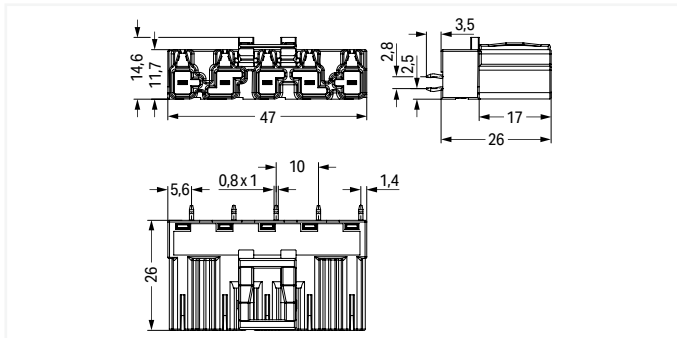
Color	Coding	Marking	Item no.	PU
● black	A	L3 L2 L1 ⊕ N	770-815	50
○ white	A	L3 L2 L1 ⊕ N	770-835	50

Control technology

Color	Coding	Marking	Item no.	PU
○ gray	B	5 4 3 2 1	770-855	50
○ gray	B	L3 L2 L1 ⊕ N	770-855/060-000	50
○ gray	B	1 2 3 PE N	770-855/062-000	50
○ gray	B	1L 2L L ⊕ N	770-855/064-000	50
● light green	B	5 4 3 2 1	770-875	50
● light green	B	4 3 2 ⊕ 1	770-875/073-000	50
● pink	B	5 4 3 2 1	770-895	50
● pink	B	I+ I- L ⊕ N	770-895/080-000	50
● pink	B	+ - L ⊕ N	770-895/082-000	50

DALI, Lighting Management

Color	Coding	Marking	Item no.	PU
● blue	I	DA+ DA- L ⊕ N	770-3115	50



Item-Specific Accessories



Lockout cap; for plugs; separable; Pole number: 5

Color	Item no.	PU
● yellow	770-360	100

PU = packaging unit; SPU = subpackaging unit; Dimensions in mm

Pluggable PCB connector ▶ WINSTA® MIDI ▶ 770 Series

Pole number: 5

angled ▶ Female connector/socket

angled ▶ Male connector/plug



2

770-805/011-000

770-815/011-000

General mains applications

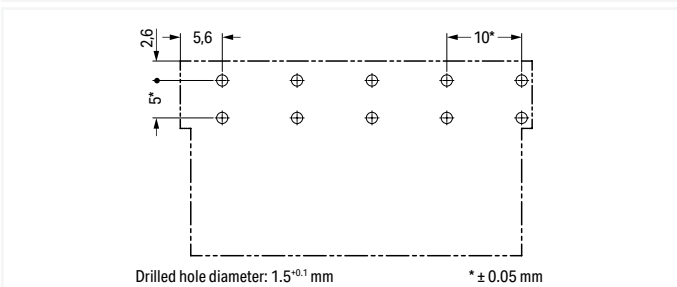
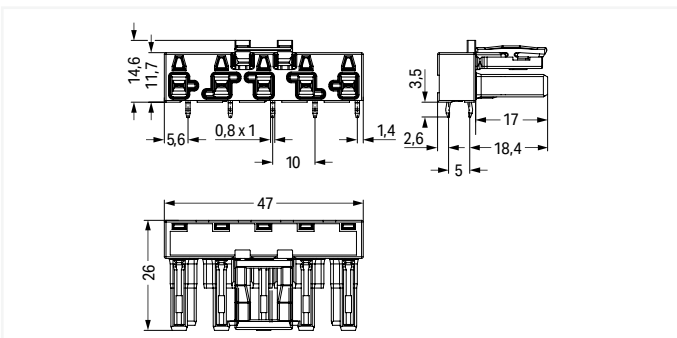
Color	Coding	Marking	Item no.	PU
● black	A	N ⊕ L1 L2 L3	770-805/011-000	50
○ white	A	N ⊕ L1 L2 L3	770-825/011-000	50

Control technology


Color	Coding	Marking	Item no.	PU
○ gray	B	1 2 3 4 5	770-845/011-000	50
○ gray	B	N ⊕ L1 L2 L3	770-845/011-000/060-000	50
○ gray	B	N PE 3 2 1	770-845/011-000/062-000	50
○ gray	B	N ⊕ L 2L 1L	770-845/011-000/064-000	50
● light green	B	1 2 3 4 5	770-865/011-000	50
● pink	B	N ⊕ L I- I+	770-885/011-000/080-000	50
● pink	B	1 2 3 4 5	770-885/011-000	50
● pink	B	N ⊕ L - +	770-885/011-000/082-000	50

DALI, Lighting Management

Color	Coding	Marking	Item no.	PU
● blue	I	N ⊕ L DA- DA+	770-3105/011-000	50



Item-Specific Accessories

 Lockout cap; for socket; separable; Pole number: 12

Color	Item no.	PU
● black	770-201	100
○ white	770-221	100

General mains applications

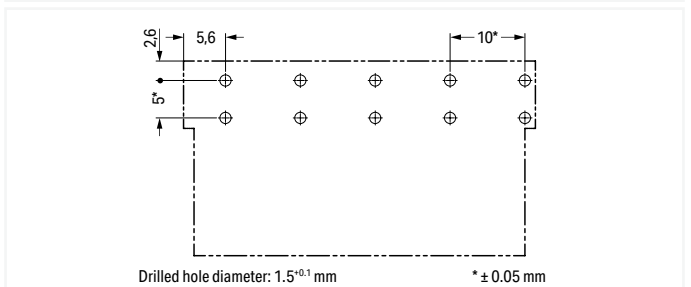
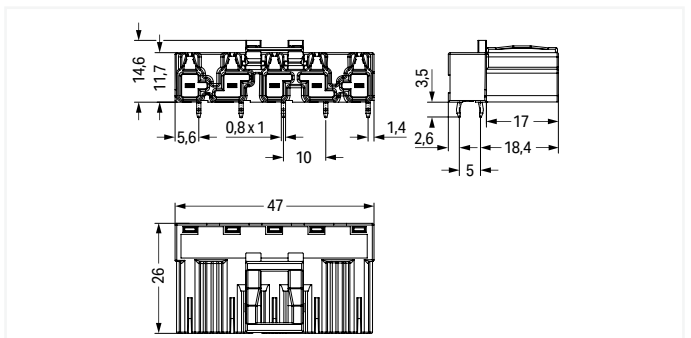
Color	Coding	Marking	Item no.	PU
● black	A	L3 L2 L1 ⊕ N	770-815/011-000	50
○ white	A	L3 L2 L1 ⊕ N	770-835/011-000	50

Control technology


Color	Coding	Marking	Item no.	PU
○ gray	B	5 4 3 2 1	770-855/011-000	50
○ gray	B	L3 L2 L1 ⊕ N	770-855/011-000/060-000	50
○ gray	B	1 2 3 PE N	770-855/011-000/062-000	50
○ gray	B	1L 2L L ⊕ N	770-855/011-000/064-000	50
● light green	B	5 4 3 2 1	770-875/011-000	50
● light green	B	4 3 2 ⊕ 1	770-875/011-000/073-000	50
● pink	B	I+ I- L ⊕ N	770-895/011-000/080-000	50
● pink	B	5 4 3 2 1	770-895/011-000	50
● pink	B	+ - L ⊕ N	770-895/011-000/082-000	50

DALI, Lighting Management

Color	Coding	Marking	Item no.	PU
● blue	I	DA+ DA- L ⊕ N	770-3115/011-000	50



Item-Specific Accessories

 Lockout cap; for plugs; separable; Pole number: 5

Color	Item no.	PU
● yellow	770-360	100

PU = packaging unit; SPU = subpackaging unit; Dimensions in mm

2

Distribution connector ► WINSTA® MIDI ► 770 Series

Pole number: 5



- Protected against mismatching and maintenance-free
- Additional variable coding is possible.

Electrical data						
Coding	A; I; P; L			B		
Ratings per	IEC/EN 60664-1			IEC/EN 60664-1		
Overvoltage category	III	III	II	III	III	II
Pollution degree	3	2	2	3	2	2
Nominal voltage	400 V	-	-	400 V	-	-
Rated surge voltage	6 kV	-	-	6 kV	-	-
Rated current	25 A	-	-	25 A	-	-
Note (rated current)				25 A for 3-pole load 20 A for 4- and 5-pole load		
Approvals per	UL 1977			UL 1977		
Rated voltage	600 V			600 V		
Rated current	23 A			23 A		
Material Data						
Insulation material	Polyamide (PA66)					
Flammability class per UL94	V0					
Contact material	Copper or copper alloy; surface-treated					
Contact plating	Tin					
Mechanical Data						
Number of mating cycles	200, without resistive load					
Mating force of a plug-in connection	Approx. 20 ... 70 N (depending on pole number)					
Unmating force of a plug-in connection	Unlocked: approx. 20 ... 70 N (depending on pole number)					
Retention force of a plug-in connection	When locked: > 80 N					
Protection type	IP20					
Note on protection type	When mated: IP2xC (These compact connectors are not designed for use in open, easily accessible areas!)					
Environmental requirements						
Processing temperature	-5 ... +40 °C					
Continuous operating temperature	-35 ... +85 °C					
Note on continuous operating temperature	Insulating parts for temperatures ≤ 105 °C					

At least one snap-in connector **without** a locking lever is required on one side when connecting two lights directly via intermediate coupler.

All WINSTA® components are 100% protected against mismatching when:

- plugging different numbers of poles
- plugging while rotated 180
- plugging while laterally staggered
- plugging one pole

All connectors for mounted installations (snap-in versions for lighting fixtures or devices, all types of PCB and distribution connectors) are factory-equipped with locking levers to ensure plugs and sockets are securely locked. Additional locking levers are only required for flying leads (plug/socket).

Tool Page 392

See technical section for further information

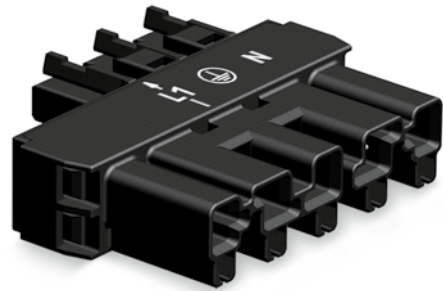
Approvals and corresponding ratings, visit www.wago.com

Distribution connector ▶ WINSTA® MIDI ▶ 770 Series

Pole number: 5

Intermediate coupler

5- to 3-pole; L1 - L



2

770-605

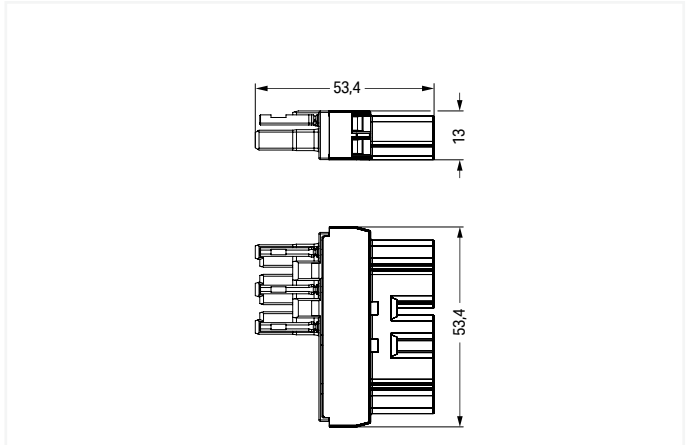
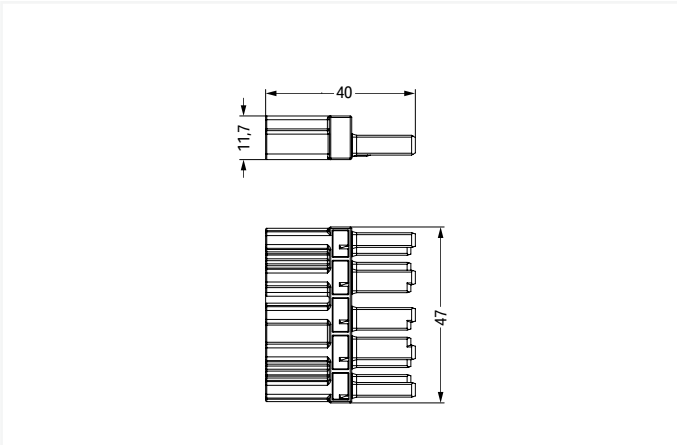
General mains applications				
Color	Coding	Marking	Item no.	PU
● black	A	-	770-605	100
○ white	A	-	770-655	100

DALI, Lighting Management				
Color	Coding	Marking	Item no.	PU
● blue	I	-	770-619	100

770-901

General mains applications				
Color	Coding	Marking	Item no.	PU
● black	A	L1 - L ⊕ N	770-901	50
○ white	A	L1 - L ⊕ N	770-951	50

EDV (UPS)				
Color	Coding	Marking	Item no.	PU
● red	P	L1 - L ⊕ N	770-911	50



Accessories; for all products on this page



Lockout cap; for socket; separable; Pole number: 12



Lockout cap; for plugs; separable; Pole number: 5

Color	Item no.	PU
● black	770-201	100
○ white	770-221	100

Color	Item no.	PU
● yellow	770-360	100

PU = packaging unit; SPU = subpackaging unit; Dimensions in mm

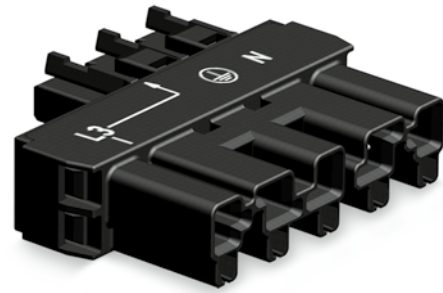
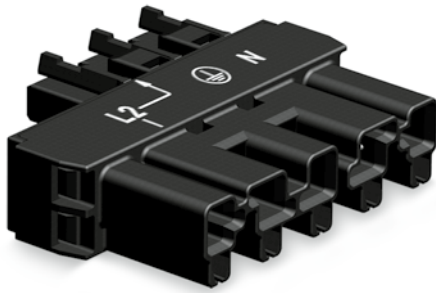
Distribution connector ▶ WINSTA® MIDI ▶ 770 Series

Pole number: 5

Intermediate coupler

5- to 3-pole; L2 - L

5- to 3-pole; L3 - L



770-902

770-903

General mains applications

Color	Coding	Marking	Item no.	PU
● black	A	L2 - L ⊕ N	770-902	50
○ white	A	L2 - L ⊕ N	770-952	50

EDV (UPS)

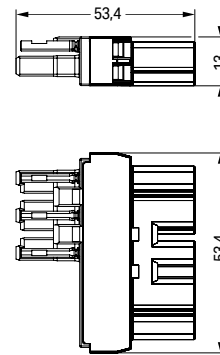
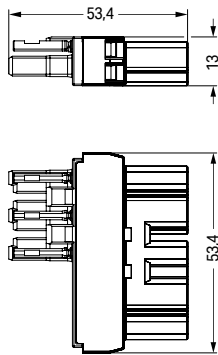
Color	Coding	Marking	Item no.	PU
● red	P	L2 - L ⊕ N	770-912	50

General mains applications

Color	Coding	Marking	Item no.	PU
● black	A	L3 - L ⊕ N	770-903	50
○ white	A	L3 - L ⊕ N	770-953	50

EDV (UPS)

Color	Coding	Marking	Item no.	PU
● red	P	L3 - L ⊕ N	770-913	50



Accessories; for all products on this page



Lockout cap; for socket; separable; Pole number: 12



Lockout cap; for plugs; separable; Pole number: 5

Color	Item no.	PU
● black	770-201	100
○ white	770-221	100

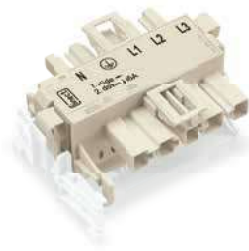
Color	Item no.	PU
● yellow	770-360	100

PU = packaging unit; SPU = subpackaging unit; Dimensions in mm

Distribution connector ▶ WINSTA® MIDI ▶ 770 Series

Pole number: 5

Linect® T-connector



770-6225

General mains applications

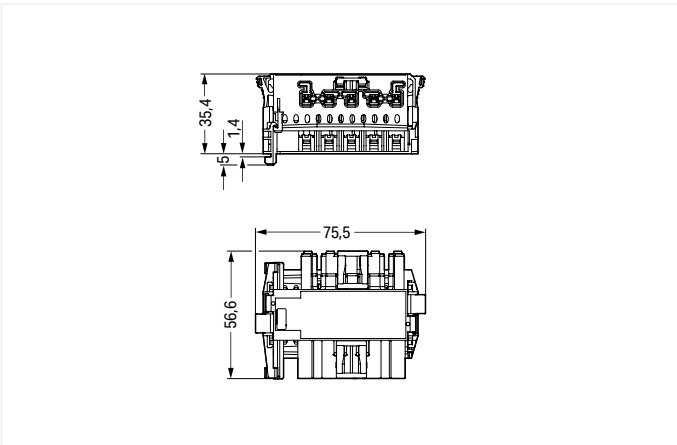
Color	Coding	Marking	Item no.	PU
○ white	A	N ⊕ L1 L2 L3	770-6225	20

DALI, Lighting Management

Color	Coding	Marking	Item no.	PU
● blue	I	N ⊕ L DA- DA+	770-7105	20

Emergency power supply

Color	Coding	Marking	Item no.	PU
○ white	L	N ⊕ L N' L'	770-7505	20



2

Accessories; for all products on this page



Lockout cap; for socket; separable; Pole number: 12



Lockout cap; for plugs; separable; Pole number: 5

Color	Item no.	PU
● black	770-201	100
○ white	770-221	100

Color	Item no.	PU
● yellow	770-360	100

PU = packaging unit; SPU = subpackaging unit; Dimensions in mm

Distribution connector ▶ WINSTA® MIDI ▶ 770 Series

Pole number: 5

T-distribution connector

Number of locking levers: 2

for flying leads ▶ Number of locking levers: 3



770-621

770-622

General mains applications

Color	Coding	Marking	Item no.	PU
● black	A	L3 L2 L1 ⊕ N	770-621	50
○ white	A	L3 L2 L1 ⊕ N	770-671	50

Control technology

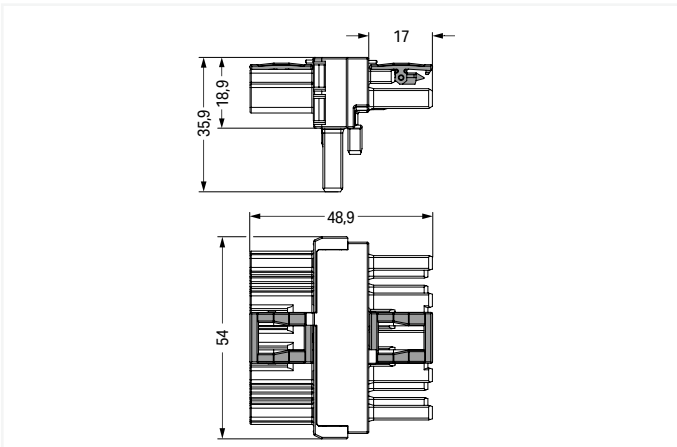
Color	Coding	Marking	Item no.	PU
○ gray	B	5 4 3 2 1	770-1641	50
● light green	B	5 4 3 2 1	770-1642	50
● pink	B	5 4 3 2 1	770-1643	50

DALI, Lighting Management

Color	Coding	Marking	Item no.	PU
● blue	I	DA+ DA- L ⊕ N	770-617	50

EDV (UPS)

Color	Coding	Marking	Item no.	PU
● red	P	L3 L2 L1 ⊕ N	770-921	50



General mains applications

Color	Coding	Marking	Item no.	PU
● black	A	L3 L2 L1 ⊕ N	770-622	50
○ white	A	L3 L2 L1 ⊕ N	770-672	50

Control technology

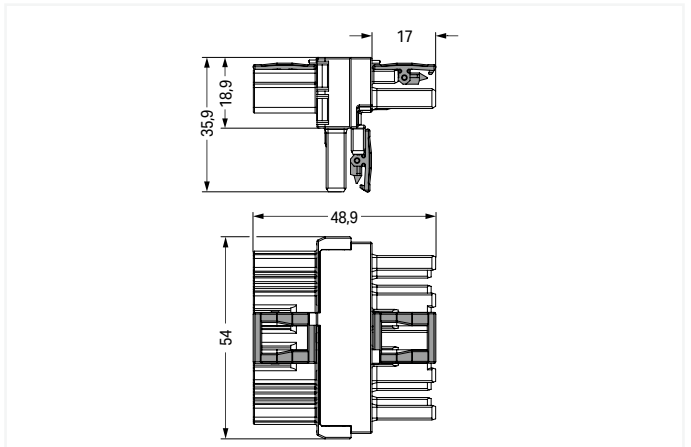
Color	Coding	Marking	Item no.	PU
○ gray	B	5 4 3 2 1	770-1741	50
● light green	B	5 4 3 2 1	770-1742	50
● pink	B	5 4 3 2 1	770-1743	50

DALI, Lighting Management

Color	Coding	Marking	Item no.	PU
● blue	I	DA+ DA- L ⊕ N	770-620	50

EDV (UPS)

Color	Coding	Marking	Item no.	PU
● red	P	L3 L2 L1 ⊕ N	770-922	50



Accessories; for all products on this page



Lockout cap; for socket; separable; Pole number: 12



Mounting carrier; for T-distribution connectors; 2- to 5-pole



Lockout cap; for plugs; separable; Pole number: 5

Color	Item no.	PU
● black	770-201	100
○ white	770-221	100

Color	Item no.	PU
● silver-colored	770-354	50

Color	Item no.	PU
● yellow	770-360	100

PU = packaging unit; SPU = subpackaging unit; Dimensions in mm

Distribution connector ▶ WINSTA® MIDI ▶ 770 Series

Pole number: 5

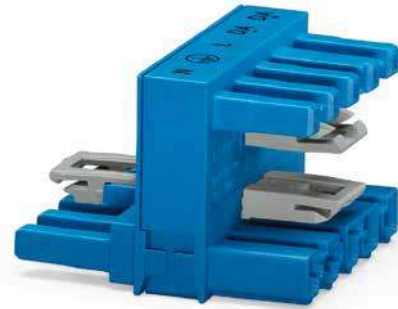
h-distribution connector, outputs on both sides

Number of locking levers: 2

for flying leads ▶ Number of locking levers: 3



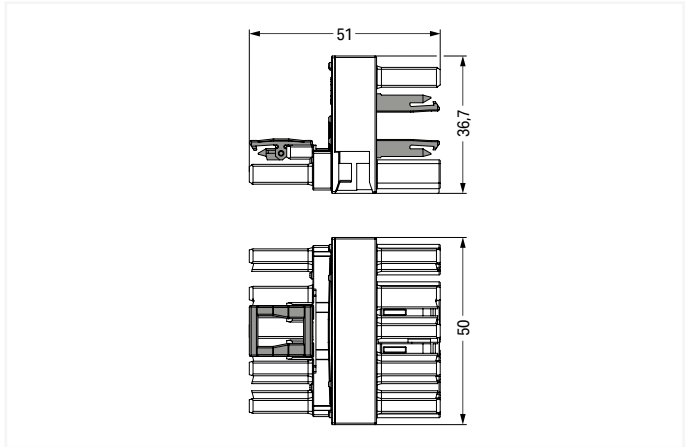
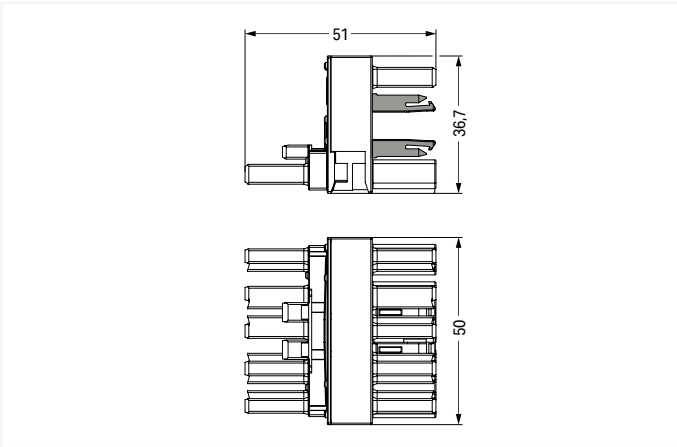
770-992



770-993

DALI, Lighting Management				
Color	Coding	Marking	Item no.	PU
● blue	I	N ⊕ L DA- DA+	770-992	25

DALI, Lighting Management				
Color	Coding	Marking	Item no.	PU
● blue	I	N ⊕ L DA- DA+	770-993	25



2

Accessories; for all products on this page



Lockout cap; for socket; separable; Pole number: 12



Lockout cap; for plugs; separable; Pole number: 5



Mounting plate; for distribution connectors (except T-distribution connectors); 5-pole

Color	Item no.	PU
● black	770-201	100
○ white	770-221	100

Color	Item no.	PU
● yellow	770-360	100

Color	Item no.	PU
● black	770-625	25
○ white	770-675	25

PU = packaging unit; SPU = subpackaging unit; Dimensions in mm

Distribution connector ▶ WINSTA® MIDI ▶ 770 Series

Pole number: 5

Distribution connector, 3-way ▶ Number of locking levers: 4



770-609

General mains applications

Color	Coding	Marking	Item no.	PU
● black	A	N ⊕ L1 L2 L3	770-609	25
○ white	A	N ⊕ L1 L2 L3	770-659	25

Control technology

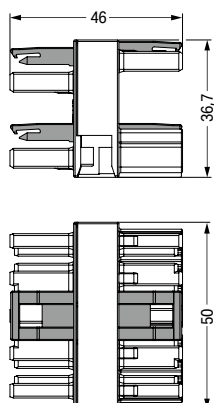
Color	Coding	Marking	Item no.	PU
○ gray	B	1 2 3 4 5	770-1744	25
● light green	B	1 2 3 4 5	770-1745	25
● pink	B	1 2 3 4 5	770-1746	25

DALI, Lighting Management

Color	Coding	Marking	Item no.	PU
● blue	I	N ⊕ L DA- DA+	770-618	25

EDV (UPS)

Color	Coding	Marking	Item no.	PU
● red	P	N ⊕ L1 L2 L3	770-909	25



Accessories; for all products on this page

Lockout cap; for socket; separable;
Pole number: 12Lockout cap; for plugs; separable; Pole
number: 5Mounting plate; for distribution connec-
tors (except T-distribution connectors);
5-pole

Color	Item no.	PU
● black	770-201	100
○ white	770-221	100

Color	Item no.	PU
● yellow	770-360	100

Color	Item no.	PU
● black	770-625	25
○ white	770-675	25

PU = packaging unit; SPU = subpackaging unit; Dimensions in mm

Distribution connector ▶ WINSTA® MIDI ▶ 770 Series

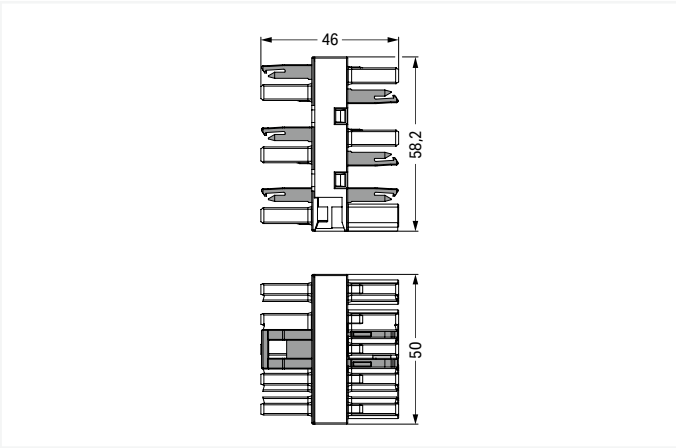
Pole number: 5

Distribution connector, 5-way ▶ Number of locking levers: 6



770-1947

DALI, Lighting Management				
Order (color)	Coding	Marking	Item no.	PU
20030	I	N ⊕ L DA- DA+	770-1947	20



2

Accessories; for all products on this page



Lockout cap; for socket; separable; Pole number: 12

Color	Item no.	PU
● black	770-201	100
○ white	770-221	100



Lockout cap; for plugs; separable; Pole number: 5

Color	Item no.	PU
● yellow	770-360	100



Mounting plate; for distribution connectors (except T-distribution connectors); 5-pole

Color	Item no.	PU
● black	770-625	25
○ white	770-675	25

PU = packaging unit; SPU = subpackaging unit; Dimensions in mm

Distribution connector ▶ WINSTA® MIDI ▶ 770 Series

Pole number: 5

Three-phase to single-phase distribution connector ▶ Number of locking levers: 6



770-640



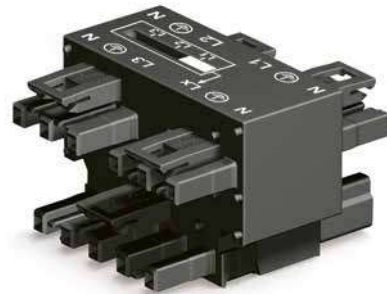
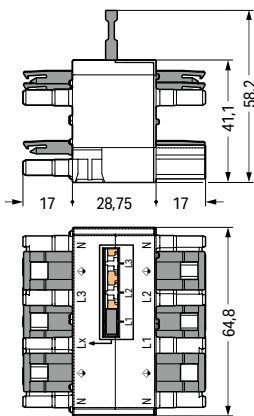
Movable jumper

General mains applications

Color	Coding	Marking	Item no.	PU
● black	A	-	770-640	10
○ white	A	-	770-690	10

EDV (UPS)

Color	Coding	Marking	Item no.	PU
● red	P	-	770-940	10



Jumper pushed down, flush with the housing (position L1)



Additional h-distribution connectors double L1 and L3.
This results in the following connection option:
L1/L1/L2/L2/L3/L3 with jumper in position L2
Notice: h-distribution connectors can only be plugged on L1 and L3.

Accessories; for all products on this page



Lockout cap; for socket; separable;
Pole number: 12



Lockout cap; for plugs; separable; Pole
number: 5



Mounting plate; for distribution connec-
tors (except T-distribution connectors);
5-pole

Color	Item no.	PU
● black	770-201	100
○ white	770-221	100

Color	Item no.	PU
● yellow	770-360	100

Color	Item no.	PU
● black	770-625	25
○ white	770-675	25

PU = packaging unit; SPU = subpackaging unit; Dimensions in mm

Distribution connector ▶ WINSTA® MIDI ▶ 770 Series

Pole number: 5

Distribution connector with phase selection ▶ Number of locking levers: 2

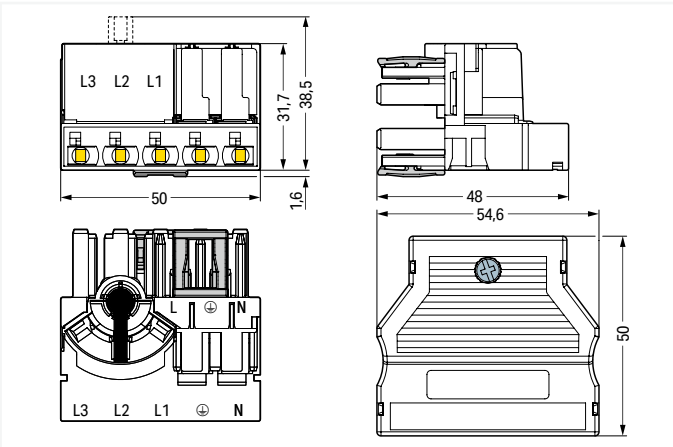


Lift jumper out of delivery position (L2) using a screwdriver and move it into the desired position.

2

General mains applications 770-611

Color	Coding	Marking	Item no.	PU
● black	A	N ⊕ L1 L2 L3	770-611	10
○ white	A	N ⊕ L1 L2 L3	770-661	10



Push down jumper in its new position (picture shows L3).



The 5-pole energy circuit can be extended using pluggable cable assemblies.



Plugging a 3-pole tap-off cable.

Accessories; for all products on this page



Lockout cap; for socket; separable; Pole number: 12



Lockout cap; for plugs; separable; Pole number: 5



Mounting plate; for distribution connectors (except T-distribution connectors); 5-pole

Color	Item no.	PU
● black	770-201	100
○ white	770-221	100

Color	Item no.	PU
● yellow	770-360	100

Color	Item no.	PU
● black	770-625	25
○ white	770-675	25

PU = packaging unit; SPU = subpackaging unit; Dimensions in mm

Cable assembly ▶ WINSTA® MIDI ▶ 771 Series

Pole number: 5 ▶ Protection type: IP20 ▶ Fire class per EN 50575: E_{ca}

- Protected against mismatching and maintenance-free
- Additional variable coding is possible.

Electrical data									
Coding	A; B; I; L; P			A; I; L; P			A		
Wire cross-section	1.5 mm ²			2.5 mm ²			4 mm ²		
Ratings per	IEC/EN 60664-1			IEC/EN 60664-1			IEC/EN 60664-1		
Overvoltage category	III	III	II	III	III	II	III	III	II
Pollution degree	3	2	2	3	2	2	3	2	2
Nominal voltage	400 V	-	-	400 V	-	-	400 V	-	-
Rated surge voltage	6 kV	-	-	6 kV	-	-	6 kV	-	-
Rated current	16 A	-	-	20 A	-	-	25 A	-	-

Electrical data									
Coding	B			I					
Wire cross-section	1 mm ²			1.5 mm ²					
Ratings per	IEC/EN 60664-1			IEC/EN 60664-1					
Overvoltage category	III	III	II	III	III	II			
Pollution degree	3	2	2	3	2	2			
Nominal voltage	400 V	-	-	250 V	-	-			
Rated surge voltage	6 kV	-	-	4 kV	-	-			
Rated current	10 A	-	-	16 A	-	-			

Material Data	
Insulation material	Polyamide (PA66)
Contact material	Copper or copper alloy; surface-treated
Contact plating	Tin
Fire class per EN 50575	E _{ca}

Mechanical Data	
Number of mating cycles	200, without resistive load
Mating force of a plug-in connection	approx. 20 ... 70 N (depending on pole number)
Unmating force of a plug-in connection	when unlocked: approx. 20 ... 70 N (depending on pole number)
Retention force of a plug-in connection	when locked: > 80N
Protection type	IP20
Note on protection type	When mated: IP2xC (These compact connectors are not designed for use in open, easily accessible areas!)

Environmental requirements	
Processing temperature	-5 ... +40 °C
Continuous operating temperature	-35 ... +85 °C
Note on continuous operating temperature	Cable for temperatures ≤ 70 °C (including halogen-free) Insulating parts for temperatures ≤ 105 °C

Cables with a different fire class can be found in the eS-hop.

All WINSTA® components are 100% protected against mismatching when:

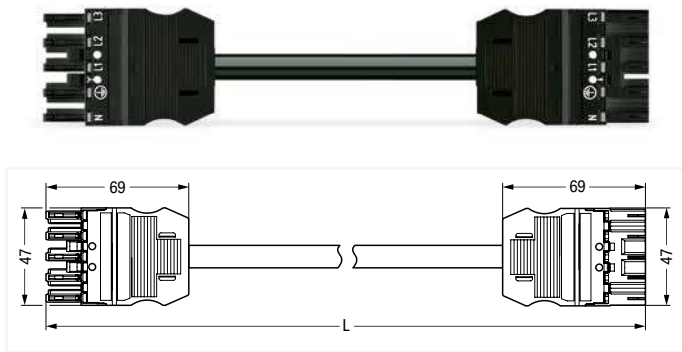
- plugging different numbers of poles
- plugging while rotated 180
- plugging while laterally staggered
- plugging one pole

All connectors for mounted installations (snap-in versions for lighting fixtures or devices, all types of PCB and distribution connectors) are factory-equipped with locking levers to ensure plugs and sockets are securely locked. Additional locking levers are only required for flying leads (plug/socket).

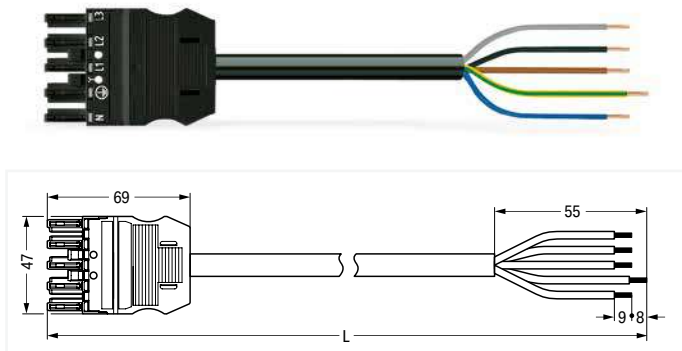
Cover	Page 372
Locking system	Page 371
Marking	Page 397
See technical section for further information	
Approvals and corresponding ratings, visit www.wago.com	

Cable assembly ▶ WINSTA® MIDI ▶ 771 Series

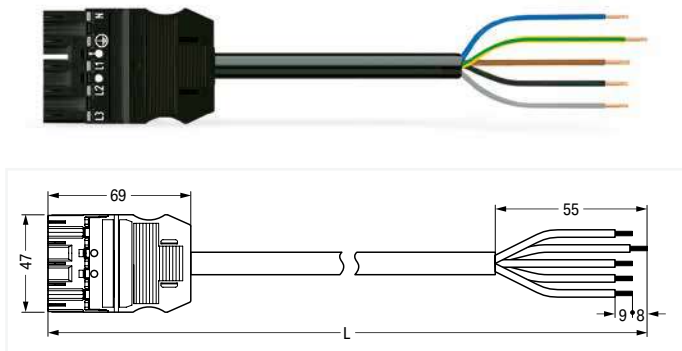
Pole number: 5 ▶ Protection type: IP20 ▶ Fire class per EN 50575: E_{ca} ▶ Coding: A ▶ 1.5 mm² ▶ Marking: N ⊕ L1 L2 L3 ▶ PVC ▶ Sheathed cable diameter: 9.3 ... 11.6 mm ▶ H05VV-F 5G1.5 ▶ General mains applications



Interconnecting cable ▶ Socket - Plug			
Total length	Connector color / Strain relief color		PU
	black / black	white / white	
1 m	771-9995/006-101	771-9995/006-102	1
2 m	771-9995/006-201	771-9995/006-202	1
3 m	771-9995/006-301	771-9995/006-302	1
4 m	771-9995/006-401	771-9995/006-402	1
5 m	771-9995/006-501	771-9995/006-502	1
6 m	771-9995/006-601	771-9995/006-602	1
7 m	771-9995/006-701	771-9995/006-702	1
8 m	771-9995/006-801	771-9995/006-802	1






Connecting cable ▶ Socket - free end ▶ Strip length (outer insulation): 55 mm			
Total length	Connector color / Strain relief color		PU
	black / black	white / white	
1 m	771-9995/106-101	771-9995/106-102	1
2 m	771-9995/106-201	771-9995/106-202	1
3 m	771-9995/106-301	771-9995/106-302	1
4 m	771-9995/106-401	771-9995/106-402	1
5 m	771-9995/106-501	771-9995/106-502	1
6 m	771-9995/106-601	771-9995/106-602	1
7 m	771-9995/106-701	771-9995/106-702	1
8 m	771-9995/106-801	771-9995/106-802	1



Connecting cable ▶ Plug - free end ▶ Strip length (outer insulation): 55 mm			
Total length	Connector color / Strain relief color		PU
	black / black	white / white	
1 m	771-9995/206-101	771-9995/206-102	1
2 m	771-9995/206-201	771-9995/206-202	1
3 m	771-9995/206-301	771-9995/206-302	1
4 m	771-9995/206-401	771-9995/206-402	1
5 m	771-9995/206-501	771-9995/206-502	1
6 m	771-9995/206-601	771-9995/206-602	1
7 m	771-9995/206-701	771-9995/206-702	1
8 m	771-9995/206-801	771-9995/206-802	1

Accessories; for all products on this page

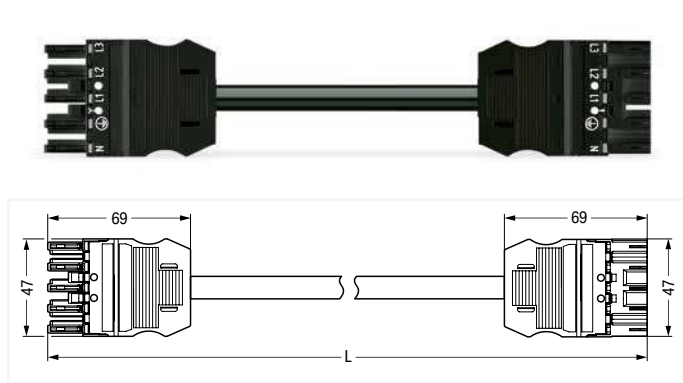
 Locking lever; for flying leads; manually operated			 Locking lever; for flying leads; tool operated			 Mounting carrier; for flying leads; 2- to 5-pole		
Color	Item no.	PU (SPU)	Color	Item no.	PU (SPU)	Color	Item no.	PU
● black	770-101	100 (25)	● black	770-111	100 (25)	● black	770-310	25
○ white	770-121	100 (25)	○ white	770-131	100 (25)			

PU = packaging unit; SPU = subpackaging unit; Dimensions in mm

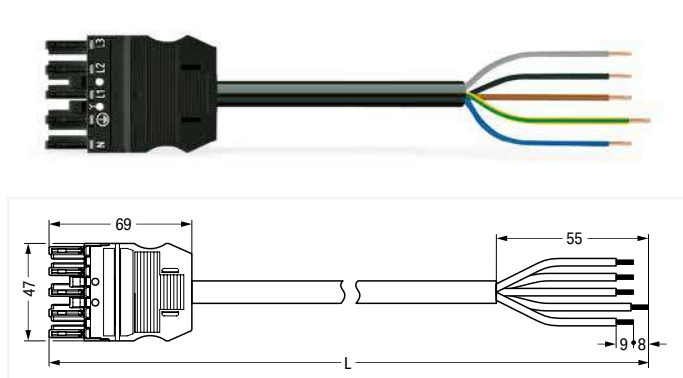
Cable assembly ▶ WINSTA® MIDI ▶ 771 Series

Pole number: 5 ▶ Protection type: IP20 ▶ Fire class per EN 50575: E_{ca} ▶ Coding: A ▶ 1.5 mm² ▶ Marking: N ⊕ L1 L2 L3 ▶ Halogen-free ▶ Sheathed cable diameter: 9.3 ... 11.6 mm ▶ H05Z1Z1-F 5G1.5 ▶ General mains applications

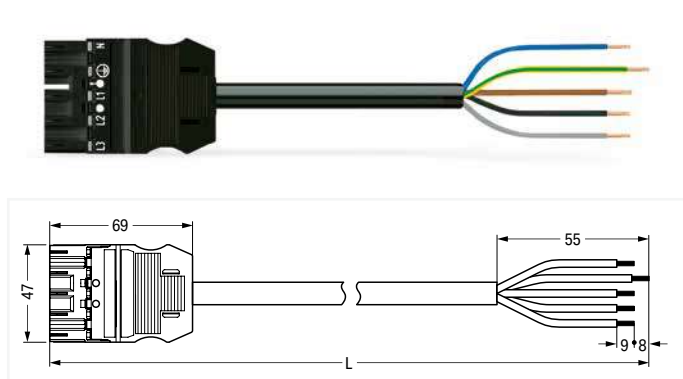
2



Total length	Connector color / Strain relief color		PU
	black / black	white / white	
1 m	771-9995/016-101	771-9995/016-102	1
2 m	771-9995/016-201	771-9995/016-202	1
3 m	771-9995/016-301	771-9995/016-302	1
4 m	771-9995/016-401	771-9995/016-402	1
5 m	771-9995/016-501	771-9995/016-502	1
6 m	771-9995/016-601	771-9995/016-602	1
7 m	771-9995/016-701	771-9995/016-702	1
8 m	771-9995/016-801	771-9995/016-802	1






Total length	Connector color / Strain relief color		PU
	black / black	white / white	
1 m	771-9995/116-101	771-9995/116-102	1
2 m	771-9995/116-201	771-9995/116-202	1
3 m	771-9995/116-301	771-9995/116-302	1
4 m	771-9995/116-401	771-9995/116-402	1
5 m	771-9995/116-501	771-9995/116-502	1
6 m	771-9995/116-601	771-9995/116-602	1
7 m	771-9995/116-701	771-9995/116-702	1
8 m	771-9995/116-801	771-9995/116-802	1



Total length	Connector color / Strain relief color		PU
	black / black	white / white	
1 m	771-9995/216-101	771-9995/216-102	1
2 m	771-9995/216-201	771-9995/216-202	1
3 m	771-9995/216-301	771-9995/216-302	1
4 m	771-9995/216-401	771-9995/216-402	1
5 m	771-9995/216-501	771-9995/216-502	1
6 m	771-9995/216-601	771-9995/216-602	1
7 m	771-9995/216-701	771-9995/216-702	1
8 m	771-9995/216-801	771-9995/216-802	1

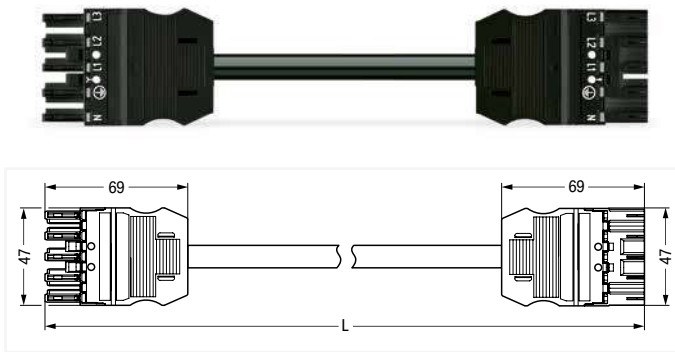
Accessories; for all products on this page

 Locking lever; for flying leads; manually operated			 Locking lever; for flying leads; tool operated			 Mounting carrier; for flying leads; 2- to 5-pole		
Color	Item no.	PU (SPU)	Color	Item no.	PU (SPU)	Color	Item no.	PU
● black	770-101	100 (25)	● black	770-111	100 (25)	● black	770-310	25
○ white	770-121	100 (25)	○ white	770-131	100 (25)			

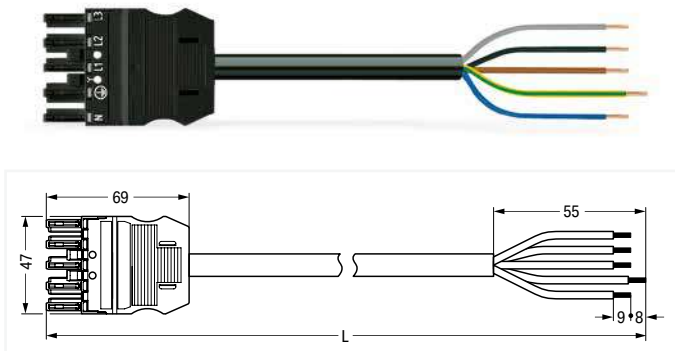
PU = packaging unit; SPU = subpackaging unit; Dimensions in mm

Cable assembly ▶ WINSTA® MIDI ▶ 771 Series

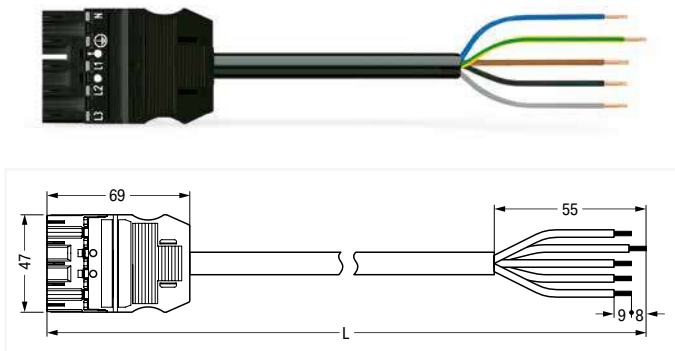
Pole number: 5 ▶ Protection type: IP20 ▶ Fire class per EN 50575: E_{ca} ▶ Coding: A ▶ 2.5 mm² ▶ Marking: N ⊕ L1 L2 L3 ▶ PVC ▶ Sheathed cable diameter: 11.2 ... 13.9 mm ▶ H05VV-F 5G2.5 ▶ General mains applications



Interconnecting cable ▶ Socket - Plug			
Total length	Connector color / Strain relief color		PU
	black / black	white / white	
1 m	771-9995/007-101	771-9995/007-102	1
2 m	771-9995/007-201	771-9995/007-202	1
3 m	771-9995/007-301	771-9995/007-302	1
4 m	771-9995/007-401	771-9995/007-402	1
5 m	771-9995/007-501	771-9995/007-502	1
6 m	771-9995/007-601	771-9995/007-602	1
7 m	771-9995/007-701	771-9995/007-702	1
8 m	771-9995/007-801	771-9995/007-802	1






Connecting cable ▶ Socket - free end ▶ Strip length (outer insulation): 55 mm			
Total length	Connector color / Strain relief color		PU
	black / black	white / white	
1 m	771-9995/107-101	771-9995/107-102	1
2 m	771-9995/107-201	771-9995/107-202	1
3 m	771-9995/107-301	771-9995/107-302	1
4 m	771-9995/107-401	771-9995/107-402	1
5 m	771-9995/107-501	771-9995/107-502	1
6 m	771-9995/107-601	771-9995/107-602	1
7 m	771-9995/107-701	771-9995/107-702	1
8 m	771-9995/107-801	771-9995/107-802	1



Connecting cable ▶ Plug - free end ▶ Strip length (outer insulation): 55 mm			
Total length	Connector color / Strain relief color		PU
	black / black	white / white	
1 m	771-9995/207-101	771-9995/207-102	1
2 m	771-9995/207-201	771-9995/207-202	1
3 m	771-9995/207-301	771-9995/207-302	1
4 m	771-9995/207-401	771-9995/207-402	1
5 m	771-9995/207-501	771-9995/207-502	1
6 m	771-9995/207-601	771-9995/207-602	1
7 m	771-9995/207-701	771-9995/207-702	1
8 m	771-9995/207-801	771-9995/207-802	1

Accessories; for all products on this page

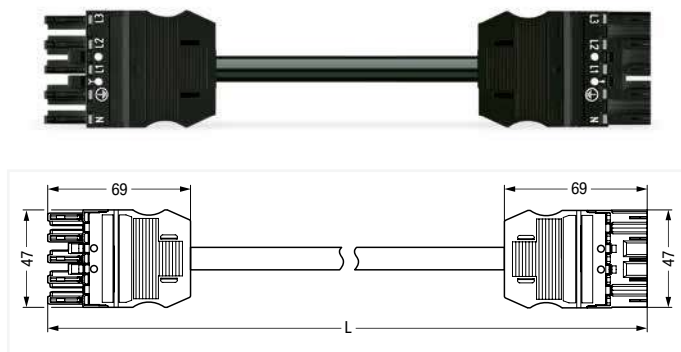
 Locking lever; for flying leads; manually operated			 Locking lever; for flying leads; tool operated			 Mounting carrier; for flying leads; 2- to 5-pole		
Color	Item no.	PU (SPU)	Color	Item no.	PU (SPU)	Color	Item no.	PU
● black	770-101	100 (25)	● black	770-111	100 (25)	● black	770-310	25
○ white	770-121	100 (25)	○ white	770-131	100 (25)			

PU = packaging unit; SPU = subpackaging unit; Dimensions in mm

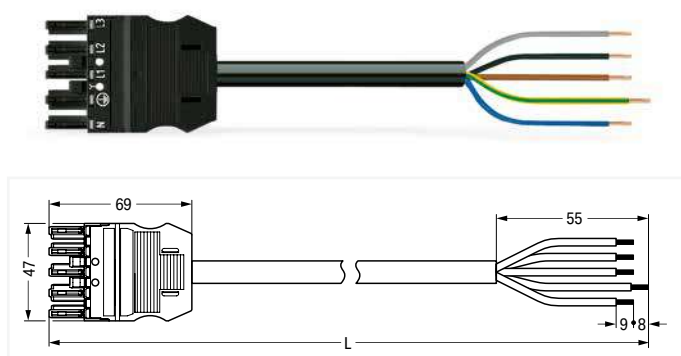
Cable assembly ▶ WINSTA® MIDI ▶ 771 Series

Pole number: 5 ▶ Protection type: IP20 ▶ Fire class per EN 50575: E_{ca} ▶ Coding: A ▶ 2.5 mm² ▶ Marking: N ⊕ L1 L2 L3 ▶ Halogen-free ▶ Sheathed cable diameter: 11.2 ... 13.9 mm ▶ H05Z1Z1-F 5G2.5 ▶ General mains applications

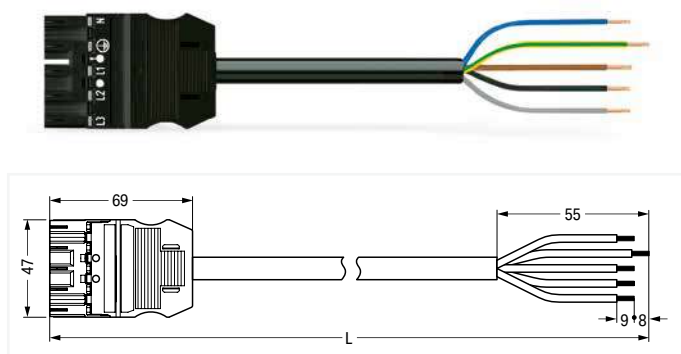
2



Total length	Connector color / Strain relief color		PU
	black / black	white / white	
1 m	771-9995/017-101	771-9995/017-102	1
2 m	771-9995/017-201	771-9995/017-202	1
3 m	771-9995/017-301	771-9995/017-302	1
4 m	771-9995/017-401	771-9995/017-402	1
5 m	771-9995/017-501	771-9995/017-502	1
6 m	771-9995/017-601	771-9995/017-602	1
7 m	771-9995/017-701	771-9995/017-702	1
8 m	771-9995/017-801	771-9995/017-802	1






Total length	Connector color / Strain relief color		PU
	black / black	white / white	
1 m	771-9995/117-101	771-9995/117-102	1
2 m	771-9995/117-201	771-9995/117-202	1
3 m	771-9995/117-301	771-9995/117-302	1
4 m	771-9995/117-401	771-9995/117-402	1
5 m	771-9995/117-501	771-9995/117-502	1
6 m	771-9995/117-601	771-9995/117-602	1
7 m	771-9995/117-701	771-9995/117-702	1
8 m	771-9995/117-801	771-9995/117-802	1



Total length	Connector color / Strain relief color		PU
	black / black	white / white	
1 m	771-9995/217-101	771-9995/217-102	1
2 m	771-9995/217-201	771-9995/217-202	1
3 m	771-9995/217-301	771-9995/217-302	1
4 m	771-9995/217-401	771-9995/217-402	1
5 m	771-9995/217-501	771-9995/217-502	1
6 m	771-9995/217-601	771-9995/217-602	1
7 m	771-9995/217-701	771-9995/217-702	1
8 m	771-9995/217-801	771-9995/217-802	1

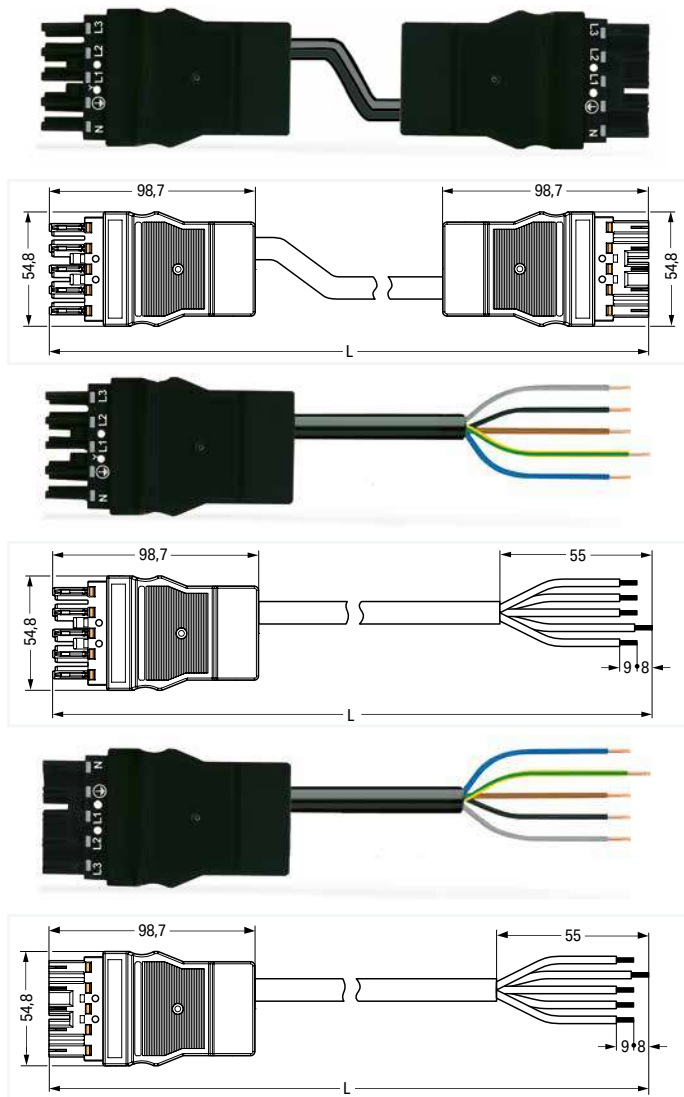
Accessories; for all products on this page

 Locking lever; for flying leads; manually operated			 Locking lever; for flying leads; tool operated			 Mounting carrier; for flying leads; 2- to 5-pole		
Color	Item no.	PU (SPU)	Color	Item no.	PU (SPU)	Color	Item no.	PU
● black	770-101	100 (25)	● black	770-111	100 (25)	● black	770-310	25
○ white	770-121	100 (25)	○ white	770-131	100 (25)			

PU = packaging unit; SPU = subpackaging unit; Dimensions in mm

Cable assembly ▶ WINSTA® MIDI ▶ 771 Series

Pole number: 5 ▶ Protection type: IP20 ▶ Fire class per EN 50575: E_{ca} ▶ Coding: A ▶ 4 mm² ▶ Marking: N ⊕ L1 L2 L3 ▶ PVC ▶ Sheathed cable diameter: 13 ... 16.1 mm ▶ H05VV-F 5G4 ▶ General mains applications






Interconnecting cable ▶ Socket - Plug			
Total length	Connector color / Strain relief color		PU
	black / black		
1 m	771-8995/008-101		1
2 m	771-8995/008-201		1
3 m	771-8995/008-301		1
4 m	771-8995/008-401		1
5 m	771-8995/008-501		1
6 m	771-8995/008-601		1
7 m	771-8995/008-701		1
8 m	771-8995/008-801		1

Connecting cable ▶ Socket - free end ▶ Strip length (outer insulation): 55 mm			
Total length	Connector color / Strain relief color		PU
	black / black		
1 m	771-8995/108-101		1
2 m	771-8995/108-201		1
3 m	771-8995/108-301		1
4 m	771-8995/108-401		1
5 m	771-8995/108-501		1
6 m	771-8995/108-601		1
7 m	771-8995/108-701		1
8 m	771-8995/108-801		1

Connecting cable ▶ Plug - free end ▶ Strip length (outer insulation): 55 mm			
Total length	Connector color / Strain relief color		PU
	black / black		
1 m	771-8995/208-101		1
2 m	771-8995/208-201		1
3 m	771-8995/208-301		1
4 m	771-8995/208-401		1
5 m	771-8995/208-501		1
6 m	771-8995/208-601		1
7 m	771-8995/208-701		1
8 m	771-8995/208-801		1

2

Accessories; for all products on this page

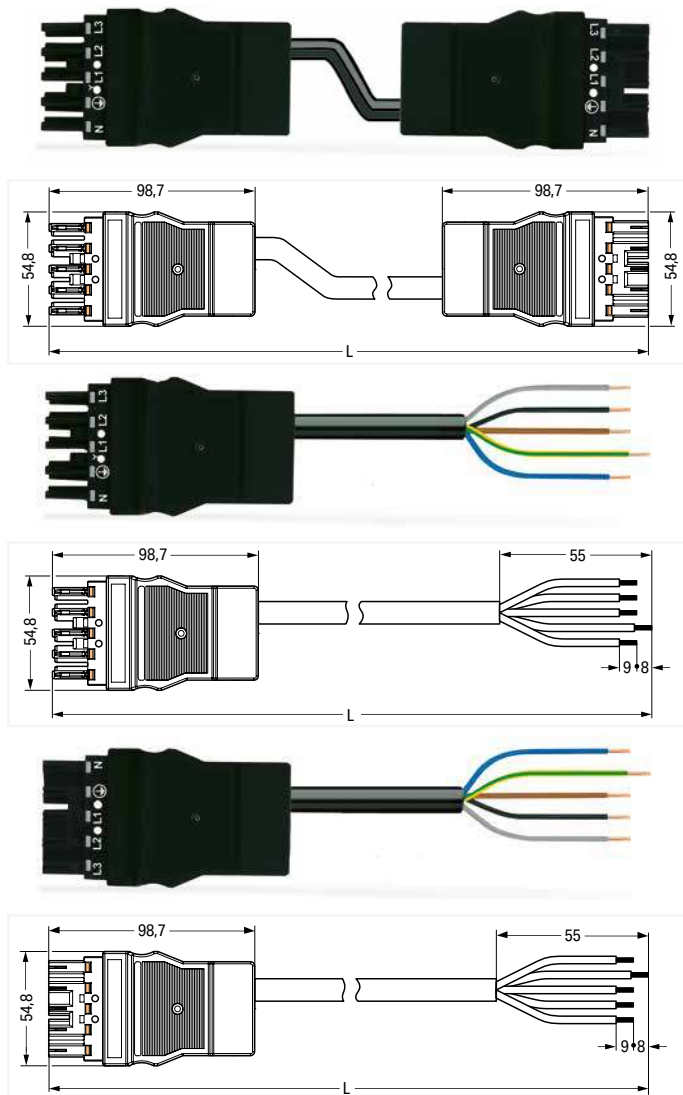
 Locking lever; for flying leads; manually operated			 Locking lever; for flying leads; tool operated			 Mounting carrier; for flying leads; 2- to 5-pole		
Color	Item no.	PU (SPU)	Color	Item no.	PU (SPU)	Color	Item no.	PU
● black	770-101	100 (25)	● black	770-111	100 (25)	● black	770-310	25
○ white	770-121	100 (25)	○ white	770-131	100 (25)			

PU = packaging unit; SPU = subpackaging unit; Dimensions in mm

Cable assembly ▶ WINSTA® MIDI ▶ 771 Series

Pole number: 5 ▶ Protection type: IP20 ▶ Fire class per EN 50575: E_{ca} ▶ Coding: A ▶ 4 mm² ▶ Marking: N ⊕ L1 L2 L3 ▶ Halogen-free ▶ Sheathed cable diameter: 13 ... 16.1 mm ▶ H05Z1Z1-F 5G4 ▶ General mains applications

2






Interconnecting cable ▶ Socket - Plug			
Total length	Connector color / Strain relief color		PU
	black / black		
1 m	771-8995/018-101		1
2 m	771-8995/018-201		1
3 m	771-8995/018-301		1
4 m	771-8995/018-401		1
5 m	771-8995/018-501		1
6 m	771-8995/018-601		1
7 m	771-8995/018-701		1
8 m	771-8995/018-801		1

Connecting cable ▶ Socket - free end ▶ Strip length (outer insulation): 55 mm			
Total length	Connector color / Strain relief color		PU
	black / black		
1 m	771-8995/118-101		1
2 m	771-8995/118-201		1
3 m	771-8995/118-301		1
4 m	771-8995/118-401		1
5 m	771-8995/118-501		1
6 m	771-8995/118-601		1
7 m	771-8995/118-701		1
8 m	771-8995/118-801		1

Connecting cable ▶ Plug - free end ▶ Strip length (outer insulation): 55 mm			
Total length	Connector color / Strain relief color		PU
	black / black		
1 m	771-8995/218-101		1
2 m	771-8995/218-201		1
3 m	771-8995/218-301		1
4 m	771-8995/218-401		1
5 m	771-8995/218-501		1
6 m	771-8995/218-601		1
7 m	771-8995/218-701		1
8 m	771-8995/218-801		1

Accessories; for all products on this page

 Locking lever; for flying leads; manually operated			 Locking lever; for flying leads; tool operated			 Mounting carrier; for flying leads; 2- to 5-pole		
Color	Item no.	PU (SPU)	Color	Item no.	PU (SPU)	Color	Item no.	PU
● black	770-101	100 (25)	● black	770-111	100 (25)	● black	770-310	25
○ white	770-121	100 (25)	○ white	770-131	100 (25)			

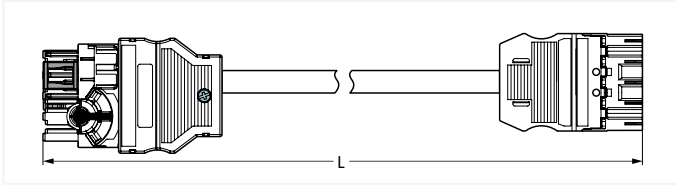
PU = packaging unit; SPU = subpackaging unit; Dimensions in mm

Cable assembly ▶ WINSTA® MIDI ▶ 771 Series

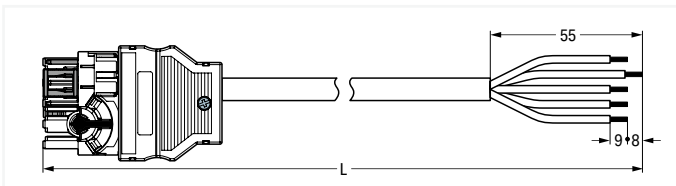
Pole number: 5 ▶ Protection type: IP20 ▶ Fire class per EN 50575: E_{ca} ▶ Coding: A ▶ 2.5 mm² ▶ Marking: N ⊕ L1 L2 L3 ▶ PVC ▶ Sheathed cable diameter: 11.2 ... 13.9 mm ▶ H05VV-F 5G2.5 ▶ Strip length (outer insulation): 55 mm ▶ General mains applications



Interconnecting cable ▶ Distribution connector with phase selection - Plug			
Total length	Connector color / Strain relief color		PU
	black / black	white / white	
1 m	771-8965/007-101	771-8965/007-102	1
2 m	771-8965/007-201	771-8965/007-202	1



Connecting cable ▶ Distribution connector with phase selection - free end			
Total length	Connector color / Strain relief color		PU
	black / black	white / white	
1 m	771-8965/107-101	771-8965/107-102	1
2 m	771-8965/107-201	771-8965/107-202	1



Lift jumper out of delivery position (L2) using a screwdriver and move it into the desired position.



The 5-pole energy circuit can be extended using pluggable cable assemblies.



Push down jumper in its new position (picture shows L3).



Plugging a 3-pole tap-off cable.

Accessories; for all products on this page



Locking lever; for flying leads; manually operated



Locking lever; for flying leads; tool operated

Color	Item no.	PU (SPU)
● black	770-101	100 (25)
○ white	770-121	100 (25)

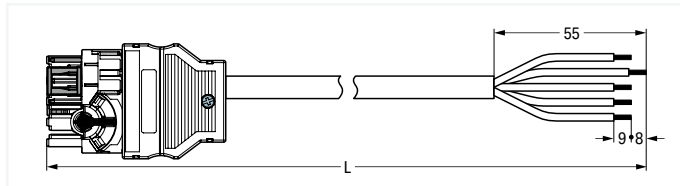
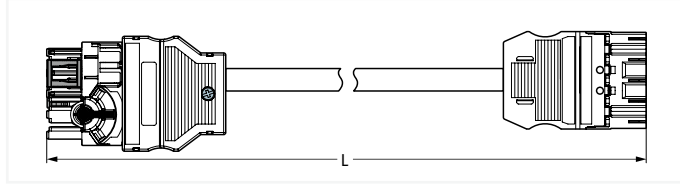
Color	Item no.	PU (SPU)
● black	770-111	100 (25)
○ white	770-131	100 (25)

PU = packaging unit; SPU = subpackaging unit; Dimensions in mm

Cable assembly ▶ WINSTA® MIDI ▶ 771 Series

Pole number: 5 ▶ Protection type: IP20 ▶ Fire class per EN 50575: E_{ca} ▶ Coding: A ▶ 2.5 mm² ▶ Marking: N ⊕ L1 L2 L3 ▶ Halogen-free ▶ Sheathed cable diameter: 11.2 ... 13.9 mm ▶ H05Z1Z1-F 5G2.5 ▶ Strip length (outer insulation): 55 mm ▶ General mains applications

2



Interconnecting cable ▶ Distribution connector with phase selection - Plug

Total length	Connector color / Strain relief color		PU
	black / black	white / white	
1 m	771-8965/017-101	771-8965/017-102	1
2 m	771-8965/017-201	771-8965/017-202	1

Connecting cable ▶ Distribution connector with phase selection - free end

Total length	Connector color / Strain relief color		PU
	black / black	white / white	
1 m	771-8965/117-101	771-8965/117-102	1
2 m	771-8965/117-201	771-8965/117-202	1



Lift jumper out of delivery position (L2) using a screwdriver and move it into the desired position.



The 5-pole energy circuit can be extended using pluggable cable assemblies.



Push down jumper in its new position (picture shows L3).



Plugging a 3-pole tap-off cable.

Accessories; for all products on this page



Locking lever; for flying leads; manually operated



Locking lever; for flying leads; tool operated

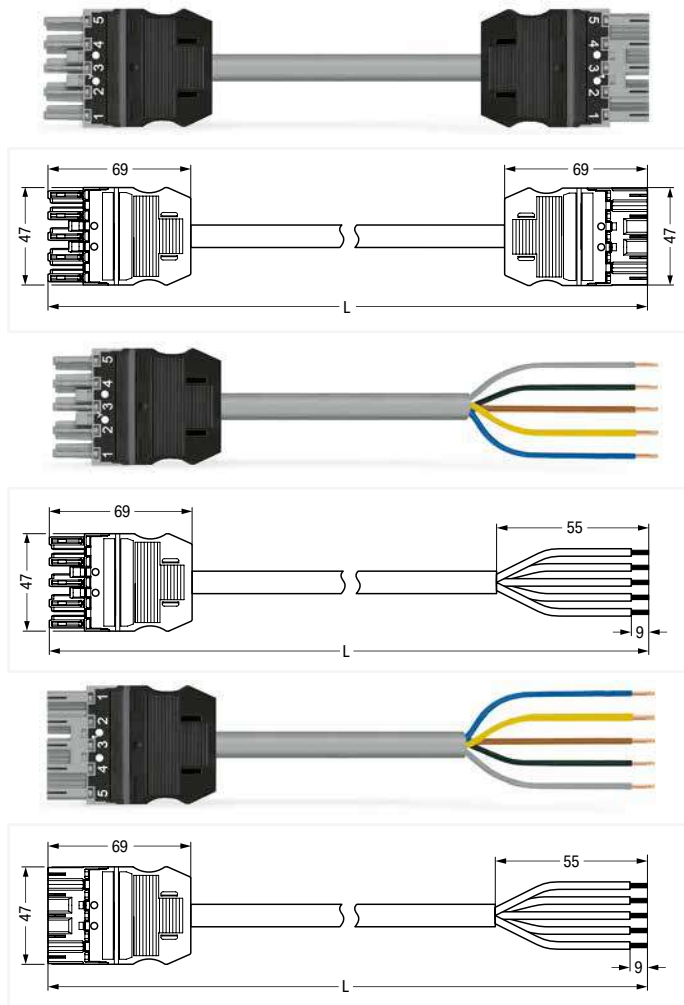
Color	Item no.	PU (SPU)
● black	770-101	100 (25)
○ white	770-121	100 (25)

Color	Item no.	PU (SPU)
● black	770-111	100 (25)
○ white	770-131	100 (25)

PU = packaging unit; SPU = subpackaging unit; Dimensions in mm

Cable assembly ▶ WINSTA® MIDI ▶ 771 Series

Pole number: 5 ▶ Protection type: IP20 ▶ Fire class per EN 50575: E_{ca} ▶ Coding: B ▶ 1 mm² ▶ Marking: 1 2 3 4 5 ▶ PVC ▶ Sheathed cable diameter: 7.8 ... 9.3 mm ▶ Control line 5 x 1 ▶ Control technology






Interconnecting cable ▶ Socket - Plug				
Total length	Connector color / Strain relief color			PU
	gray / black	light green / black	pink / black	
1 m	771-9995/005-103	771-9995/005-105	771-9995/005-107	1
2 m	771-9995/005-203	771-9995/005-205	771-9995/005-207	1
3 m	771-9995/005-303	771-9995/005-305	771-9995/005-307	1
4 m	771-9995/005-403	771-9995/005-405	771-9995/005-407	1
5 m	771-9995/005-503	771-9995/005-505	771-9995/005-507	1
6 m	771-9995/005-603	771-9995/005-605	771-9995/005-607	1
7 m	771-9995/005-703	771-9995/005-705	771-9995/005-707	1
8 m	771-9995/005-803	771-9995/005-805	771-9995/005-807	1

Connecting cable ▶ Socket - free end ▶ Strip length (outer insulation): 55 mm				
Total length	Connector color / Strain relief color			PU
	gray / black	light green / black	pink / black	
1 m	771-9995/105-103	771-9995/105-105	771-9995/105-107	1
2 m	771-9995/105-203	771-9995/105-205	771-9995/105-207	1
3 m	771-9995/105-303	771-9995/105-305	771-9995/105-307	1
4 m	771-9995/105-403	771-9995/105-405	771-9995/105-407	1
5 m	771-9995/105-503	771-9995/105-505	771-9995/105-507	1
6 m	771-9995/105-603	771-9995/105-605	771-9995/105-607	1
7 m	771-9995/105-703	771-9995/105-705	771-9995/105-707	1
8 m	771-9995/105-803	771-9995/105-805	771-9995/105-807	1

Connecting cable ▶ Plug - free end ▶ Strip length (outer insulation): 55 mm				
Total length	Connector color / Strain relief color			PU
	gray / black	light green / black	pink / black	
1 m	771-9995/205-103	771-9995/205-105	771-9995/205-107	1
2 m	771-9995/205-203	771-9995/205-205	771-9995/205-207	1
3 m	771-9995/205-303	771-9995/205-305	771-9995/205-307	1
4 m	771-9995/205-403	771-9995/205-405	771-9995/205-407	1
5 m	771-9995/205-503	771-9995/205-505	771-9995/205-507	1
6 m	771-9995/205-603	771-9995/205-605	771-9995/205-607	1
7 m	771-9995/205-703	771-9995/205-705	771-9995/205-707	1
8 m	771-9995/205-803	771-9995/205-805	771-9995/205-807	1

2

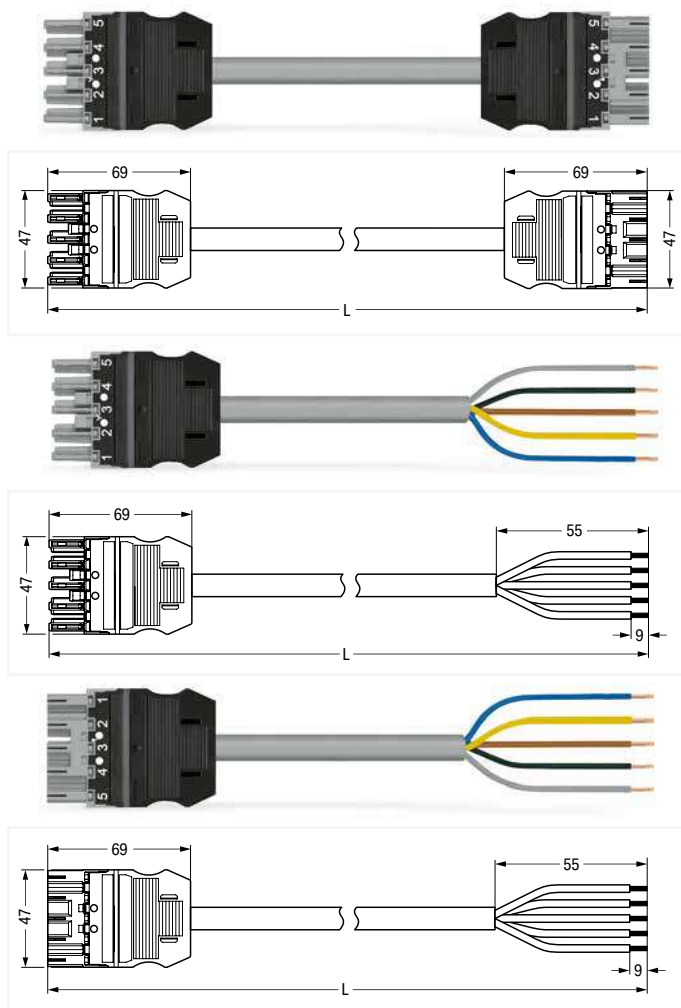
Accessories; for all products on this page

 Locking lever; for flying leads; manually operated			 Locking lever; for flying leads; tool operated			 Mounting carrier; for flying leads; 2- to 5-pole		
Color	Item no.	PU (SPU)	Color	Item no.	PU (SPU)	Color	Item no.	PU
● black	770-101	100 (25)	● black	770-111	100 (25)	● black	770-310	25
○ white	770-121	100 (25)	○ white	770-131	100 (25)			

PU = packaging unit; SPU = subpackaging unit; Dimensions in mm

Cable assembly ▶ WINSTA® MIDI ▶ 771 Series

Pole number: 5 ▶ Protection type: IP20 ▶ Fire class per EN 50575: E_{ca} ▶ Coding: B ▶ 1.5 mm² ▶ Marking: 1 2 3 4 5 ▶ PVC ▶ Sheathed cable diameter: 9.3 ... 11.6 mm ▶ Control line 5 x 1.5 ▶ Control technology






Interconnecting cable ▶ Socket - Plug				
Total length	Connector color / Strain relief color			PU
	gray / black	light green / black	pink / black	
1 m	771-9995/006-103	771-9995/006-105	771-9995/006-107	1
2 m	771-9995/006-203	771-9995/006-205	771-9995/006-207	1
3 m	771-9995/006-303	771-9995/006-305	771-9995/006-307	1
4 m	771-9995/006-403	771-9995/006-405	771-9995/006-407	1
5 m	771-9995/006-503	771-9995/006-505	771-9995/006-507	1
6 m	771-9995/006-603	771-9995/006-605	771-9995/006-607	1
7 m	771-9995/006-703	771-9995/006-705	771-9995/006-707	1
8 m	771-9995/006-803	771-9995/006-805	771-9995/006-807	1

Connecting cable ▶ Socket - free end ▶ Strip length (outer insulation): 55 mm				
Total length	Connector color / Strain relief color			PU
	gray / black	light green / black	pink / black	
1 m	771-9995/106-103	771-9995/106-105	771-9995/106-107	1
2 m	771-9995/106-203	771-9995/106-205	771-9995/106-207	1
3 m	771-9995/106-303	771-9995/106-305	771-9995/106-307	1
4 m	771-9995/106-403	771-9995/106-405	771-9995/106-407	1
5 m	771-9995/106-503	771-9995/106-505	771-9995/106-507	1
6 m	771-9995/106-603	771-9995/106-605	771-9995/106-607	1
7 m	771-9995/106-703	771-9995/106-705	771-9995/106-707	1
8 m	771-9995/106-803	771-9995/106-805	771-9995/106-807	1

Connecting cable ▶ Plug - free end ▶ Strip length (outer insulation): 55 mm				
Total length	Connector color / Strain relief color			PU
	gray / black	light green / black	pink / black	
1 m	771-9995/206-103	771-9995/206-105	771-9995/206-107	1
2 m	771-9995/206-203	771-9995/206-205	771-9995/206-207	1
3 m	771-9995/206-303	771-9995/206-305	771-9995/206-307	1
4 m	771-9995/206-403	771-9995/206-405	771-9995/206-407	1
5 m	771-9995/206-503	771-9995/206-505	771-9995/206-507	1
6 m	771-9995/206-603	771-9995/206-605	771-9995/206-607	1
7 m	771-9995/206-703	771-9995/206-705	771-9995/206-707	1
8 m	771-9995/206-803	771-9995/206-805	771-9995/206-807	1

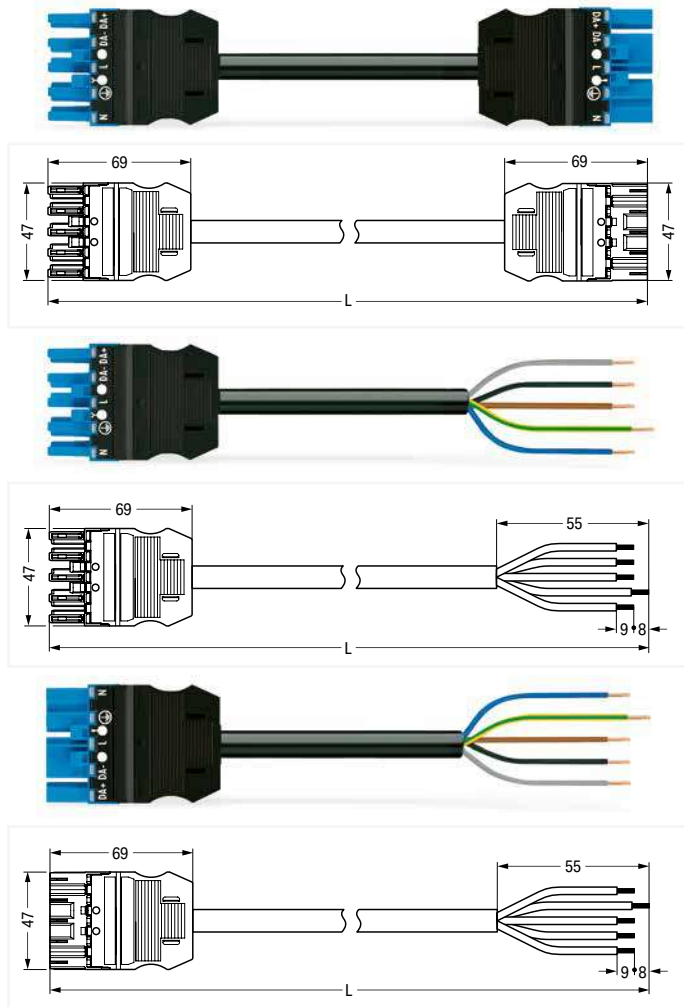
Accessories; for all products on this page

 Locking lever; for flying leads; manually operated			 Locking lever; for flying leads; tool operated			 Mounting carrier; for flying leads; 2- to 5-pole		
Color	Item no.	PU (SPU)	Color	Item no.	PU (SPU)	Color	Item no.	PU
● black	770-101	100 (25)	● black	770-111	100 (25)	● black	770-310	25
○ white	770-121	100 (25)	○ white	770-131	100 (25)			

PU = packaging unit; SPU = subpackaging unit; Dimensions in mm

Cable assembly ▶ WINSTA® MIDI ▶ 771 Series

Pole number: 5 ▶ Protection type: IP20 ▶ Fire class per EN 50575: E_{ca} ▶ Coding: I ▶ 1.5 mm² ▶ Marking: N ⊕ L DA- DA+ ▶ PVC ▶ Sheathed cable diameter: 9.3 ... 11.6 mm ▶ H05VV-F 5G1.5 ▶ DALI, Lighting Management






Total length	Connector color / Strain relief color		PU
	blue / black	blue / white	
1 m	771-9985/006-101	771-9985/006-102	1
2 m	771-9985/006-201	771-9985/006-202	1
3 m	771-9985/006-301	771-9985/006-302	1
4 m	771-9985/006-401	771-9985/006-402	1
5 m	771-9985/006-501	771-9985/006-502	1
6 m	771-9985/006-601	771-9985/006-602	1
7 m	771-9985/006-701	771-9985/006-702	1
8 m	771-9985/006-801	771-9985/006-802	1

Total length	Connector color / Strain relief color		PU
	blue / black	blue / white	
1 m	771-9985/106-101	771-9985/106-102	1
2 m	771-9985/106-201	771-9985/106-202	1
3 m	771-9985/106-301	771-9985/106-302	1
4 m	771-9985/106-401	771-9985/106-402	1
5 m	771-9985/106-501	771-9985/106-502	1
6 m	771-9985/106-601	771-9985/106-602	1
7 m	771-9985/106-701	771-9985/106-702	1
8 m	771-9985/106-801	771-9985/106-802	1

Total length	Connector color / Strain relief color		PU
	blue / black	blue / white	
1 m	771-9985/206-101	771-9985/206-102	1
2 m	771-9985/206-201	771-9985/206-202	1
3 m	771-9985/206-301	771-9985/206-302	1
4 m	771-9985/206-401	771-9985/206-402	1
5 m	771-9985/206-501	771-9985/206-502	1
6 m	771-9985/206-601	771-9985/206-602	1
7 m	771-9985/206-701	771-9985/206-702	1
8 m	771-9985/206-801	771-9985/206-802	1

2

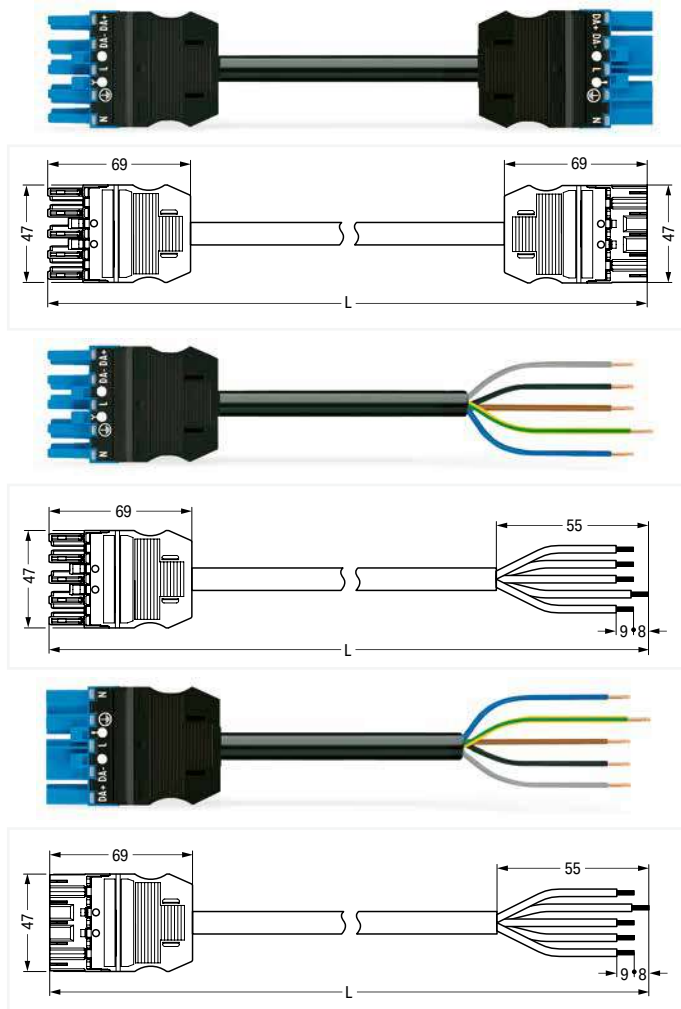
Accessories; for all products on this page

 Locking lever; for flying leads; manually operated			 Locking lever; for flying leads; tool operated			 Mounting carrier; for flying leads; 2- to 5-pole		
Color	Item no.	PU (SPU)	Color	Item no.	PU (SPU)	Color	Item no.	PU
● black	770-101	100 (25)	● black	770-111	100 (25)	● black	770-310	25
○ white	770-121	100 (25)	○ white	770-131	100 (25)			

PU = packaging unit; SPU = subpackaging unit; Dimensions in mm

Cable assembly ▶ WINSTA® MIDI ▶ 771 Series

Pole number: 5 ▶ Protection type: IP20 ▶ Fire class per EN 50575: E_{ca} ▶ Coding: I ▶ 1.5 mm² ▶ Marking: N ⊕ L DA- DA+ ▶ Halogen-free ▶ Sheathed cable diameter: 9.3 ... 11.6 mm ▶ H05Z1Z1-F 5G1.5 ▶ DALI, Lighting Management






Total length	Connector color / Strain relief color		PU
	blue / black	blue / white	
1 m	771-9985/016-101	771-9985/016-102	1
2 m	771-9985/016-201	771-9985/016-202	1
3 m	771-9985/016-301	771-9985/016-302	1
4 m	771-9985/016-401	771-9985/016-402	1
5 m	771-9985/016-501	771-9985/016-502	1
6 m	771-9985/016-601	771-9985/016-602	1
7 m	771-9985/016-701	771-9985/016-702	1
8 m	771-9985/016-801	771-9985/016-802	1

Total length	Connector color / Strain relief color		PU
	blue / black	blue / white	
1 m	771-9985/116-101	771-9985/116-102	1
2 m	771-9985/116-201	771-9985/116-202	1
3 m	771-9985/116-301	771-9985/116-302	1
4 m	771-9985/116-401	771-9985/116-402	1
5 m	771-9985/116-501	771-9985/116-502	1
6 m	771-9985/116-601	771-9985/116-602	1
7 m	771-9985/116-701	771-9985/116-702	1
8 m	771-9985/116-801	771-9985/116-802	1

Total length	Connector color / Strain relief color		PU
	blue / black	blue / white	
1 m	771-9985/216-101	771-9985/216-102	1
2 m	771-9985/216-201	771-9985/216-202	1
3 m	771-9985/216-301	771-9985/216-302	1
4 m	771-9985/216-401	771-9985/216-402	1
5 m	771-9985/216-501	771-9985/216-502	1
6 m	771-9985/216-601	771-9985/216-602	1
7 m	771-9985/216-701	771-9985/216-702	1
8 m	771-9985/216-801	771-9985/216-802	1

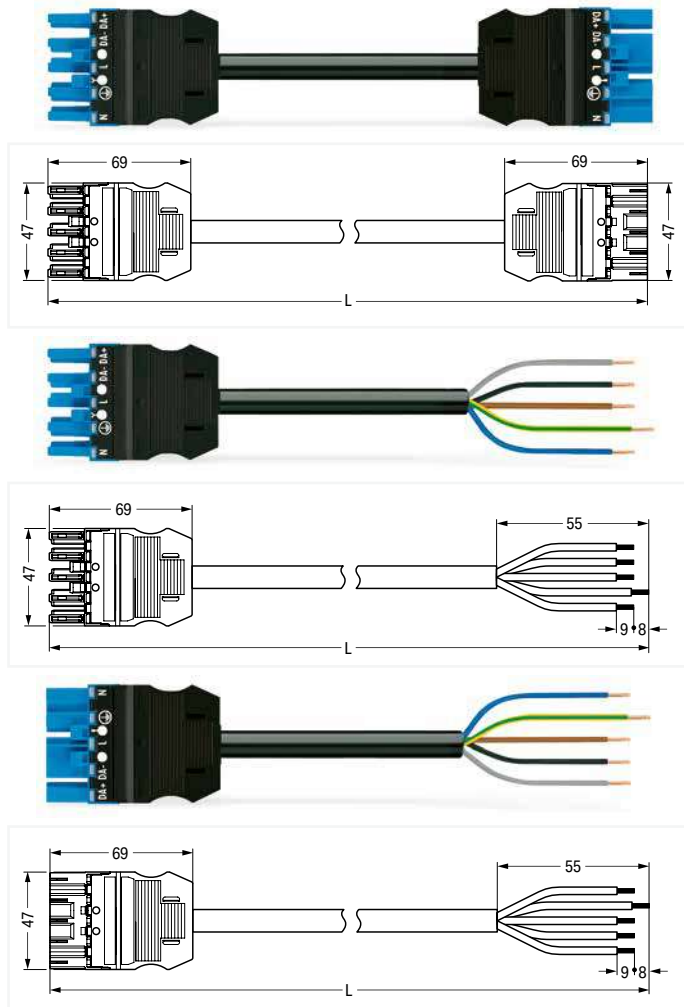
Accessories; for all products on this page

 Locking lever; for flying leads; manually operated			 Locking lever; for flying leads; tool operated			 Mounting carrier; for flying leads; 2- to 5-pole		
Color	Item no.	PU (SPU)	Color	Item no.	PU (SPU)	Color	Item no.	PU
● black	770-101	100 (25)	● black	770-111	100 (25)	● black	770-310	25
○ white	770-121	100 (25)	○ white	770-131	100 (25)			

PU = packaging unit; SPU = subpackaging unit; Dimensions in mm

Cable assembly ▶ WINSTA® MIDI ▶ 771 Series

Pole number: 5 ▶ Protection type: IP20 ▶ Fire class per EN 50575: E_{ca} ▶ Coding: I ▶ 2.5 mm² ▶ Marking: N ⊕ L DA- DA+ ▶ PVC ▶ Sheathed cable diameter: 11.2 ... 13.9 mm ▶ H05VV-F 5G2.5 ▶ DALI, Lighting Management






Total length	Connector color / Strain relief color		PU
	blue / black	blue / white	
1 m	771-9985/007-101	771-9985/007-102	1
2 m	771-9985/007-201	771-9985/007-202	1
3 m	771-9985/007-301	771-9985/007-302	1
4 m	771-9985/007-401	771-9985/007-402	1
5 m	771-9985/007-501	771-9985/007-502	1
6 m	771-9985/007-601	771-9985/007-602	1
7 m	771-9985/007-701	771-9985/007-702	1
8 m	771-9985/007-801	771-9985/007-802	1

Total length	Connector color / Strain relief color		PU
	blue / black	blue / white	
1 m	771-9985/107-101	771-9985/107-102	1
2 m	771-9985/107-201	771-9985/107-202	1
3 m	771-9985/107-301	771-9985/107-302	1
4 m	771-9985/107-401	771-9985/107-402	1
5 m	771-9985/107-501	771-9985/107-502	1
6 m	771-9985/107-601	771-9985/107-602	1
7 m	771-9985/107-701	771-9985/107-702	1
8 m	771-9985/107-801	771-9985/107-802	1

Total length	Connector color / Strain relief color		PU
	blue / black	blue / white	
1 m	771-9985/207-101	771-9985/207-102	1
2 m	771-9985/207-201	771-9985/207-202	1
3 m	771-9985/207-301	771-9985/207-302	1
4 m	771-9985/207-401	771-9985/207-402	1
5 m	771-9985/207-501	771-9985/207-502	1
6 m	771-9985/207-601	771-9985/207-602	1
7 m	771-9985/207-701	771-9985/207-702	1
8 m	771-9985/207-801	771-9985/207-802	1

2

Accessories; for all products on this page

 Locking lever; for flying leads; manually operated			 Locking lever; for flying leads; tool operated			 Mounting carrier; for flying leads; 2- to 5-pole		
Color	Item no.	PU (SPU)	Color	Item no.	PU (SPU)	Color	Item no.	PU
● black	770-101	100 (25)	● black	770-111	100 (25)	● black	770-310	25
○ white	770-121	100 (25)	○ white	770-131	100 (25)			

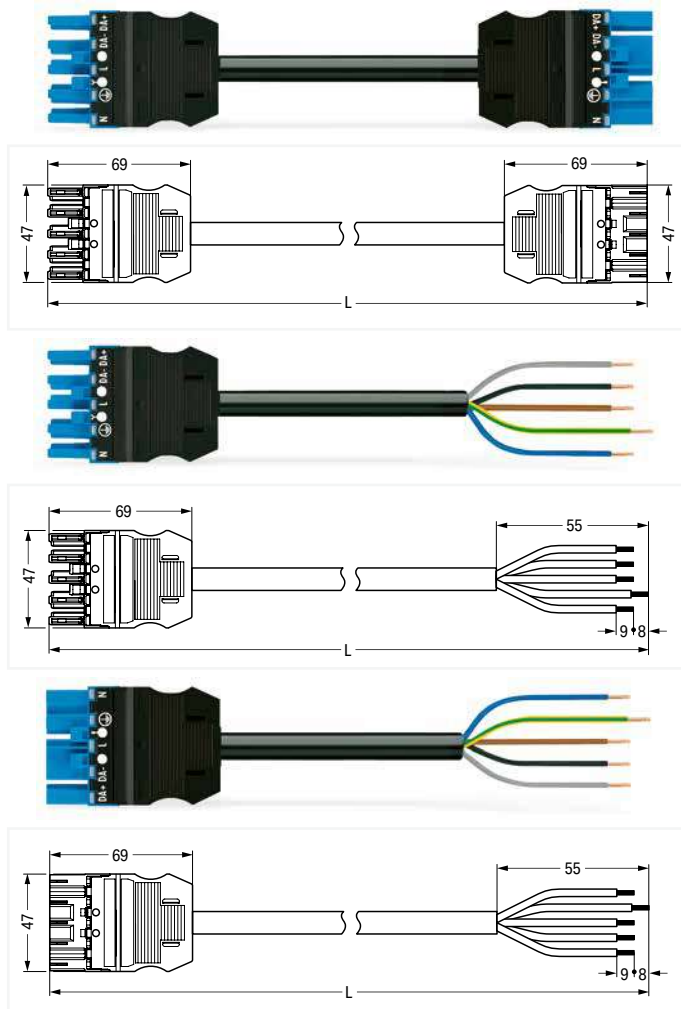
PU = packaging unit; SPU = subpackaging unit; Dimensions in mm

Cable assembly ▶ WINSTA® MIDI ▶ 771 Series

Pole number: 5 ▶ Protection type: IP20 ▶ Fire class per EN 50575: E_{ca} ▶ Coding: I ▶ 2.5 mm²

▶ Marking: N ⊕ L DA- DA+ ▶ Halogen-free ▶ Sheathed cable diameter: 11.2 ... 13.9 mm ▶ H05Z1Z1-F 5G2.5 ▶ DALI, Lighting Management

2



Total length	Connector color / Strain relief color		PU
	blue / black	blue / white	
1 m	771-9985/017-101	771-9985/017-102	1
2 m	771-9985/017-201	771-9985/017-202	1
3 m	771-9985/017-301	771-9985/017-302	1
4 m	771-9985/017-401	771-9985/017-402	1
5 m	771-9985/017-501	771-9985/017-502	1
6 m	771-9985/017-601	771-9985/017-602	1
7 m	771-9985/017-701	771-9985/017-702	1
8 m	771-9985/017-801	771-9985/017-802	1

Total length	Connector color / Strain relief color		PU
	blue / black	blue / white	
1 m	771-9985/117-101	771-9985/117-102	1
2 m	771-9985/117-201	771-9985/117-202	1
3 m	771-9985/117-301	771-9985/117-302	1
4 m	771-9985/117-401	771-9985/117-402	1
5 m	771-9985/117-501	771-9985/117-502	1
6 m	771-9985/117-601	771-9985/117-602	1
7 m	771-9985/117-701	771-9985/117-702	1
8 m	771-9985/117-801	771-9985/117-802	1

Total length	Connector color / Strain relief color		PU
	blue / black	blue / white	
1 m	771-9985/217-101	771-9985/217-102	1
2 m	771-9985/217-201	771-9985/217-202	1
3 m	771-9985/217-301	771-9985/217-302	1
4 m	771-9985/217-401	771-9985/217-402	1
5 m	771-9985/217-501	771-9985/217-502	1
6 m	771-9985/217-601	771-9985/217-602	1
7 m	771-9985/217-701	771-9985/217-702	1
8 m	771-9985/217-801	771-9985/217-802	1

Accessories; for all products on this page



Locking lever; for flying leads; manually operated



Locking lever; for flying leads; tool operated



Mounting carrier; for flying leads; 2- to 5-pole

Color	Item no.	PU (SPU)
● black	770-101	100 (25)
○ white	770-121	100 (25)

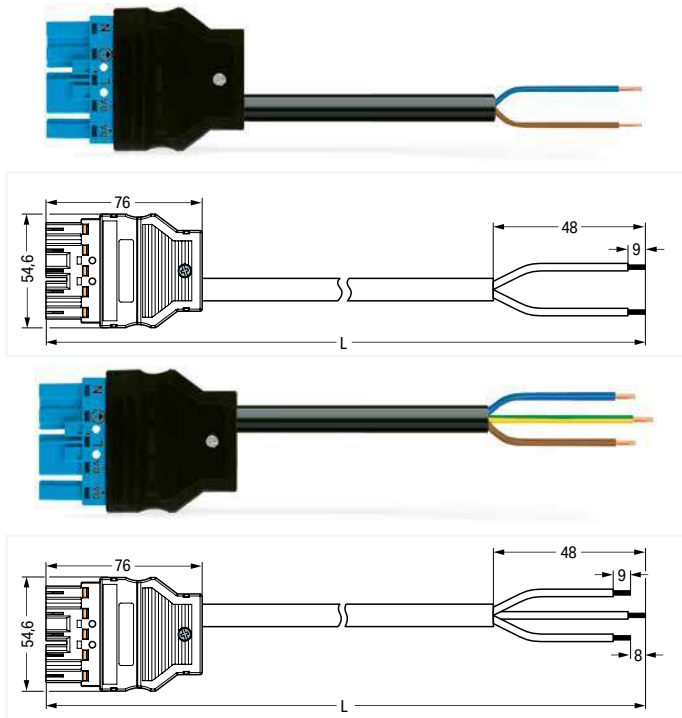
Color	Item no.	PU (SPU)
● black	770-111	100 (25)
○ white	770-131	100 (25)

Color	Item no.	PU
● black	770-310	25

PU = packaging unit; SPU = subpackaging unit; Dimensions in mm

Cable assembly ▶ WINSTA® MIDI ▶ 771 Series

Pole number: 5 ▶ Protection type: IP20 ▶ Fire class per EN 50575: E_{ca} ▶ Coding: I ▶ 1.5 mm² ▶ Connecting cable ▶ PVC ▶ Plug - free end ▶ Strip length (outer insulation): 48 mm ▶ DALI, Lighting Management



Sheathed cable diameter: 6.8 ... 8.6 mm ▶ H05VV-F 2x1.5			
Total length	Connector color / Strain relief color		PU
	blue / black		
1 m	771-5001/164-000		1
2 m	771-5001/165-000		1
3 m	771-5001/166-000		1
4 m	771-5001/167-000		1
5 m	771-5001/168-000		1
6 m	771-5001/169-000		1
7 m	771-5001/170-000		1
8 m	771-5001/171-000		1

Sheathed cable diameter: 7.4 ... 9.4 mm ▶ H05VV-F 3G1.5			
Total length	Connector color / Strain relief color		PU
	blue / black		
1 m	771-5001/148-000		1
2 m	771-5001/149-000		1
3 m	771-5001/150-000		1
4 m	771-5001/151-000		1
5 m	771-5001/152-000		1
6 m	771-5001/153-000		1
7 m	771-5001/154-000		1
8 m	771-5001/155-000		1

2

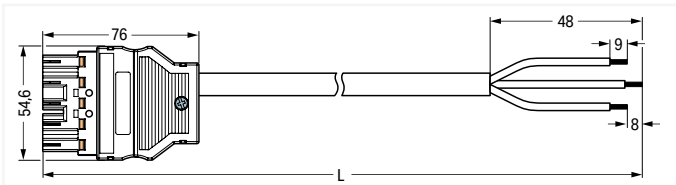
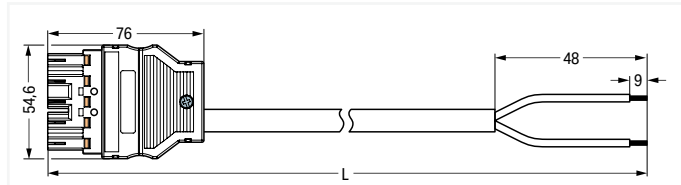
Accessories; for all products on this page

	Locking lever; for flying leads; manually operated		Locking lever; for flying leads; tool operated		Mounting carrier; for flying leads; 2- to 5-pole			
Color	Item no.	PU (SPU)	Color	Item no.	PU (SPU)	Color	Item no.	PU
● black	770-101	100 (25)	● black	770-111	100 (25)	● black	770-310	25
○ white	770-121	100 (25)	○ white	770-131	100 (25)			

PU = packaging unit; SPU = subpackaging unit; Dimensions in mm

Cable assembly ▶ WINSTA® MIDI ▶ 771 Series

Pole number: 5 ▶ Protection type: IP20 ▶ Fire class per EN 50575: E_{ca} ▶ Coding: I ▶ 1.5 mm² ▶ Connecting cable ▶ Halogen-free ▶ Plug - free end ▶ Strip length (outer insulation): 48 mm ▶ DALI, Lighting Management



Sheathed cable diameter: 6.8 ... 8.6 mm ▶ H05Z1Z1-F 2x1.5

Total length	Connector color / Strain relief color		PU
	blue / black		
1 m	771-5001/172-000		1
2 m	771-5001/173-000		1
3 m	771-5001/174-000		1
4 m	771-5001/175-000		1
5 m	771-5001/176-000		1
6 m	771-5001/177-000		1
7 m	771-5001/178-000		1
8 m	771-5001/179-000		1

Sheathed cable diameter: 7.4 ... 9.4 mm ▶ H05Z1Z1-F 3G1.5

Total length	Connector color / Strain relief color		PU
	blue / black		
1 m	771-5001/156-000		1
2 m	771-5001/157-000		1
3 m	771-5001/158-000		1
4 m	771-5001/159-000		1
5 m	771-5001/160-000		1
6 m	771-5001/161-000		1
7 m	771-5001/162-000		1
8 m	771-5001/163-000		1

Accessories; for all products on this page



Locking lever; for flying leads; manually operated



Locking lever; for flying leads; tool operated



Mounting carrier; for flying leads; 2- to 5-pole

Color	Item no.	PU (SPU)
● black	770-101	100 (25)
○ white	770-121	100 (25)

Color	Item no.	PU (SPU)
● black	770-111	100 (25)
○ white	770-131	100 (25)

Color	Item no.	PU
● black	770-310	25

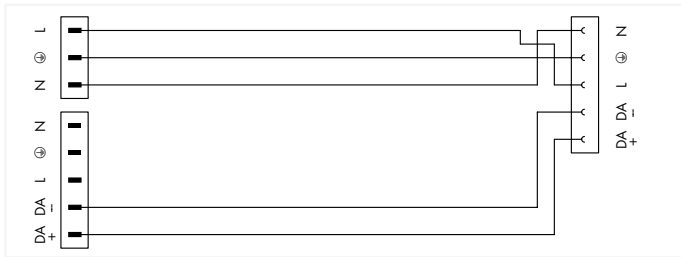
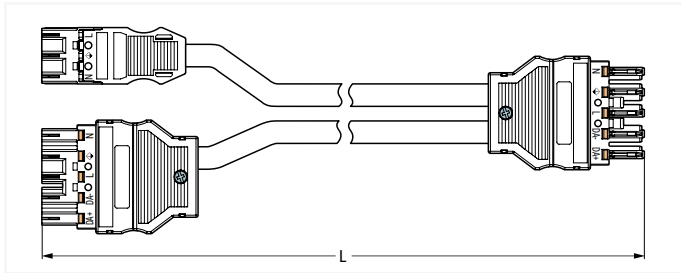
PU = packaging unit; SPU = subpackaging unit; Dimensions in mm

Cable assembly ▶ WINSTA® MIDI ▶ 771 Series

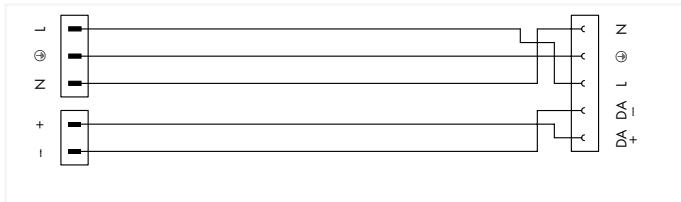
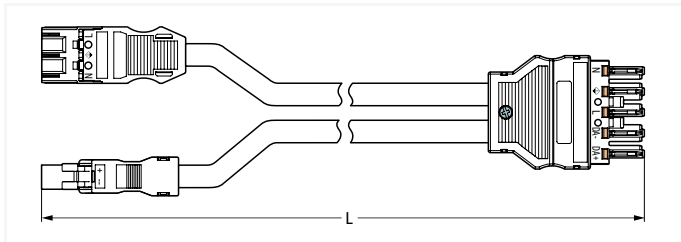
Pole number: 5 ▶ Protection type: IP20 ▶ Fire class per EN 50575: E_{ca} ▶ Coding: I ▶ 1.5 mm² ▶ Y-cable ▶ PVC ▶ Sheathed cable diameter: 6.8 ... 8.6 mm ▶ H05VV-F 2x1.5 ▶ DALI, Lighting Management



MIDI plug; MIDI plug - MIDI socket			
Total length	Connector color / Strain relief color		PU
	blue / black		
0.5 m	771-5001/180-000		1



MIDI plug; MINI plug - MIDI socket			
Total length	Connector color / Strain relief color		PU
	blue / black		
0.5 m	771-5001/182-000		1



PU = packaging unit; SPU = subpackaging unit; Dimensions in mm

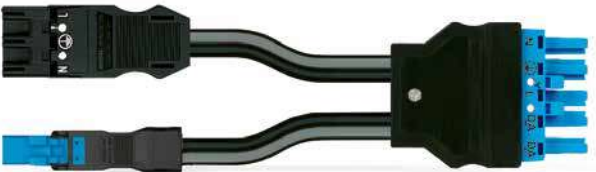
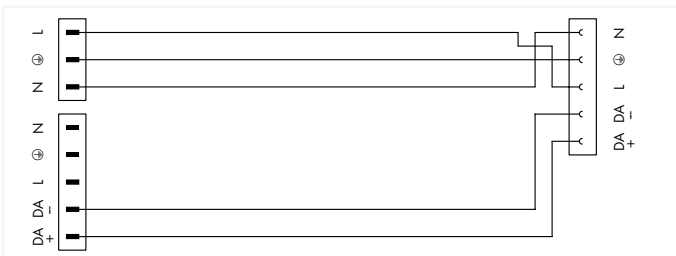
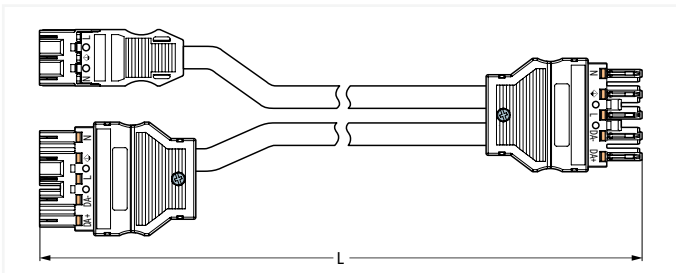
Cable assembly ▶ WINSTA® MIDI ▶ 771 Series

Pole number: 5 ▶ Protection type: IP20 ▶ Fire class per EN 50575: E_{ca} ▶ Coding: I ▶ 1.5 mm² ▶ Y-cable ▶ Halogen-free ▶ Sheathed cable diameter: 6.8 ... 8.6 mm ▶ H05Z1Z1-F 2x1.5 ▶ DALI, Lighting Management

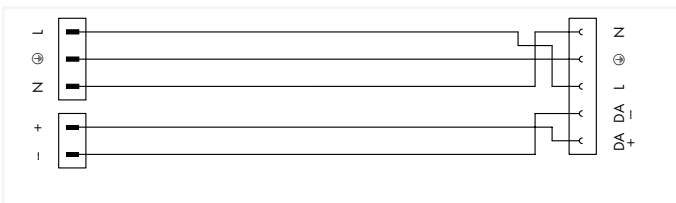
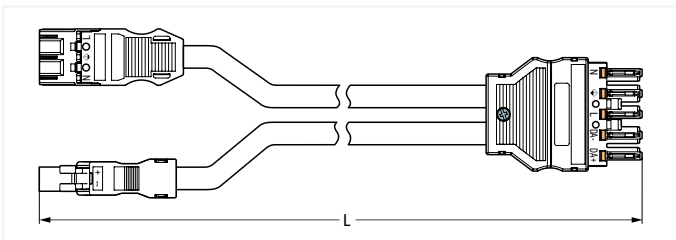
2



MIDI plug; MIDI plug - MIDI socket			
Total length	Connector color / Strain relief color		PU
0.5 m	blue / black		1
	771-5001/181-000		

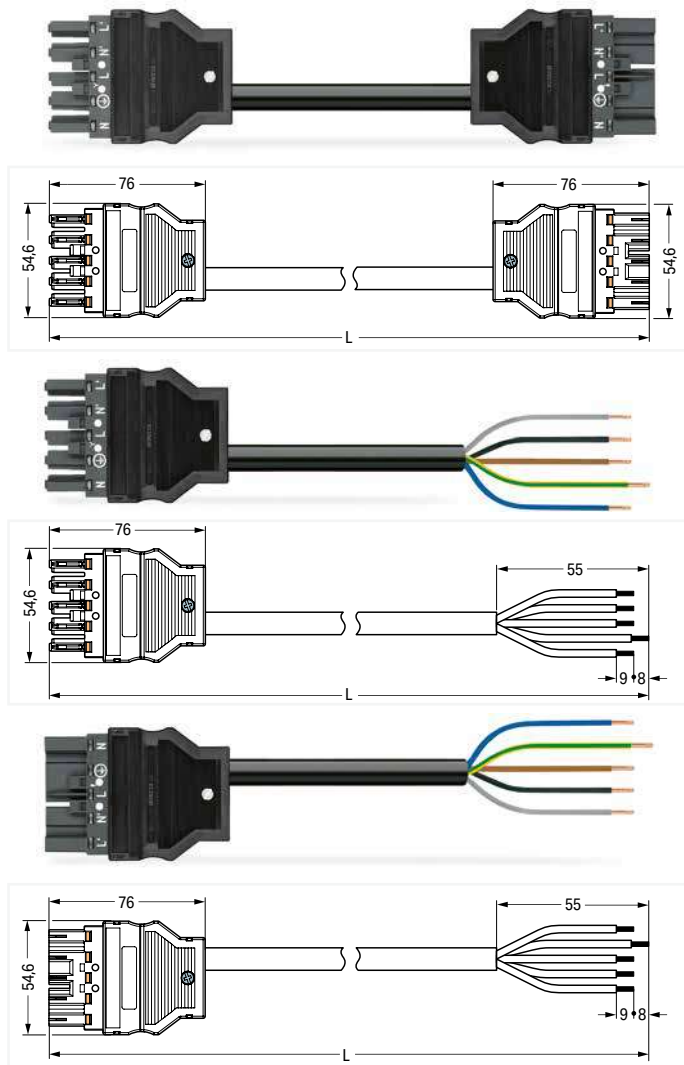


MIDI plug; MINI plug - MIDI socket			
Total length	Connector color / Strain relief color		PU
0.5 m	blue / black		1
	771-5001/183-000		



Cable assembly ▶ WINSTA® MIDI ▶ 771 Series

Pole number: 5 ▶ Protection type: IP20 ▶ Fire class per EN 50575: E_{ca} ▶ Coding: L ▶ 1.5 mm² ▶ Marking: N ⊕ L N' L' ▶ PVC ▶ Sheathed cable diameter: 9.3 ... 11.6 mm ▶ H05VV-F 5G1.5 ▶ Emergency power supply






Interconnecting cable ▶ Socket - Plug			
Total length	Connector color / Strain relief color		PU
	dark gray / black	dark gray / white	
1 m	771-8985/006-103	771-8985/006-104	1
2 m	771-8985/006-203	771-8985/006-204	1
3 m	771-8985/006-303	771-8985/006-304	1
4 m	771-8985/006-403	771-8985/006-404	1
5 m	771-8985/006-503	771-8985/006-504	1
6 m	771-8985/006-603	771-8985/006-604	1
7 m	771-8985/006-703	771-8985/006-704	1
8 m	771-8985/006-803	771-8985/006-804	1

Connecting cable ▶ Socket - free end ▶ Strip length (outer insulation): 55 mm			
Total length	Connector color / Strain relief color		PU
	dark gray / black	dark gray / white	
1 m	771-8985/106-103	771-8985/106-104	1
2 m	771-8985/106-203	771-8985/106-204	1
3 m	771-8985/106-303	771-8985/106-304	1
4 m	771-8985/106-403	771-8985/106-404	1
5 m	771-8985/106-503	771-8985/106-504	1
6 m	771-8985/106-603	771-8985/106-604	1
7 m	771-8985/106-703	771-8985/106-704	1
8 m	771-8985/106-803	771-8985/106-804	1

Connecting cable ▶ Plug - free end ▶ Strip length (outer insulation): 55 mm			
Total length	Connector color / Strain relief color		PU
	dark gray / black	dark gray / white	
1 m	771-8985/206-103	771-8985/206-104	1
2 m	771-8985/206-203	771-8985/206-204	1
3 m	771-8985/206-303	771-8985/206-304	1
4 m	771-8985/206-403	771-8985/206-404	1
5 m	771-8985/206-503	771-8985/206-504	1
6 m	771-8985/206-603	771-8985/206-604	1
7 m	771-8985/206-703	771-8985/206-704	1
8 m	771-8985/206-803	771-8985/206-804	1

2

Accessories; for all products on this page

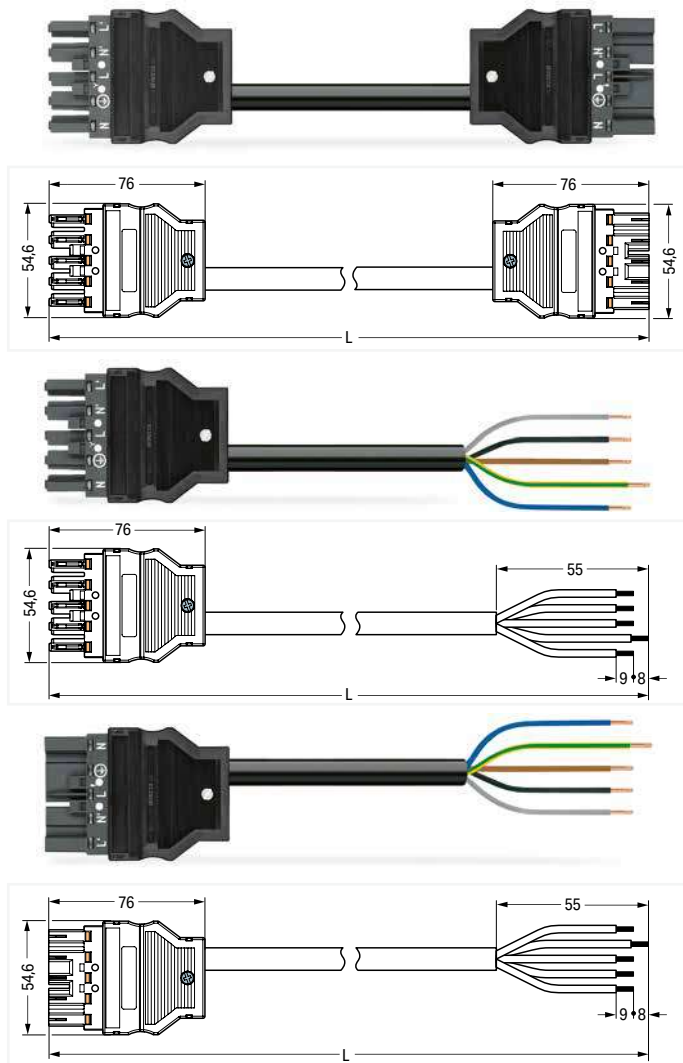
 Locking lever; for flying leads; manually operated			 Locking lever; for flying leads; tool operated			 Mounting carrier; for flying leads; 2- to 5-pole		
Color	Item no.	PU (SPU)	Color	Item no.	PU (SPU)	Color	Item no.	PU
● black	770-101	100 (25)	● black	770-111	100 (25)	● black	770-310	25
○ white	770-121	100 (25)	○ white	770-131	100 (25)			

PU = packaging unit; SPU = subpackaging unit; Dimensions in mm

Cable assembly ▶ WINSTA® MIDI ▶ 771 Series

Pole number: 5 ▶ Protection type: IP20 ▶ Fire class per EN 50575: E_{ca} ▶ Coding: L ▶ 1.5 mm² ▶ Marking: N ⊕ L N' L' ▶ Halogen-free ▶ Sheathed cable diameter: 9.3 ... 11.6 mm ▶ H05Z1Z1-F 5G1.5 ▶ Emergency power supply

2






Interconnecting cable ▶ Socket - Plug			
Total length	Connector color / Strain relief color		PU
	dark gray / black	dark gray / white	
1 m	771-8985/016-103	771-8985/016-104	1
2 m	771-8985/016-203	771-8985/016-204	1
3 m	771-8985/016-303	771-8985/016-304	1
4 m	771-8985/016-403	771-8985/016-404	1
5 m	771-8985/016-503	771-8985/016-504	1
6 m	771-8985/016-603	771-8985/016-604	1
7 m	771-8985/016-703	771-8985/016-704	1
8 m	771-8985/016-803	771-8985/016-804	1

Connecting cable ▶ Socket - free end ▶ Strip length (outer insulation): 55 mm			
Total length	Connector color / Strain relief color		PU
	dark gray / black	dark gray / white	
1 m	771-8985/116-103	771-8985/116-104	1
2 m	771-8985/116-203	771-8985/116-204	1
3 m	771-8985/116-303	771-8985/116-304	1
4 m	771-8985/116-403	771-8985/116-404	1
5 m	771-8985/116-503	771-8985/116-504	1
6 m	771-8985/116-603	771-8985/116-604	1
7 m	771-8985/116-703	771-8985/116-704	1
8 m	771-8985/116-803	771-8985/116-804	1

Connecting cable ▶ Plug - free end ▶ Strip length (outer insulation): 55 mm			
Total length	Connector color / Strain relief color		PU
	dark gray / black	dark gray / white	
1 m	771-8985/216-103	771-8985/216-104	1
2 m	771-8985/216-203	771-8985/216-204	1
3 m	771-8985/216-303	771-8985/216-304	1
4 m	771-8985/216-403	771-8985/216-404	1
5 m	771-8985/216-503	771-8985/216-504	1
6 m	771-8985/216-603	771-8985/216-604	1
7 m	771-8985/216-703	771-8985/216-704	1
8 m	771-8985/216-803	771-8985/216-804	1

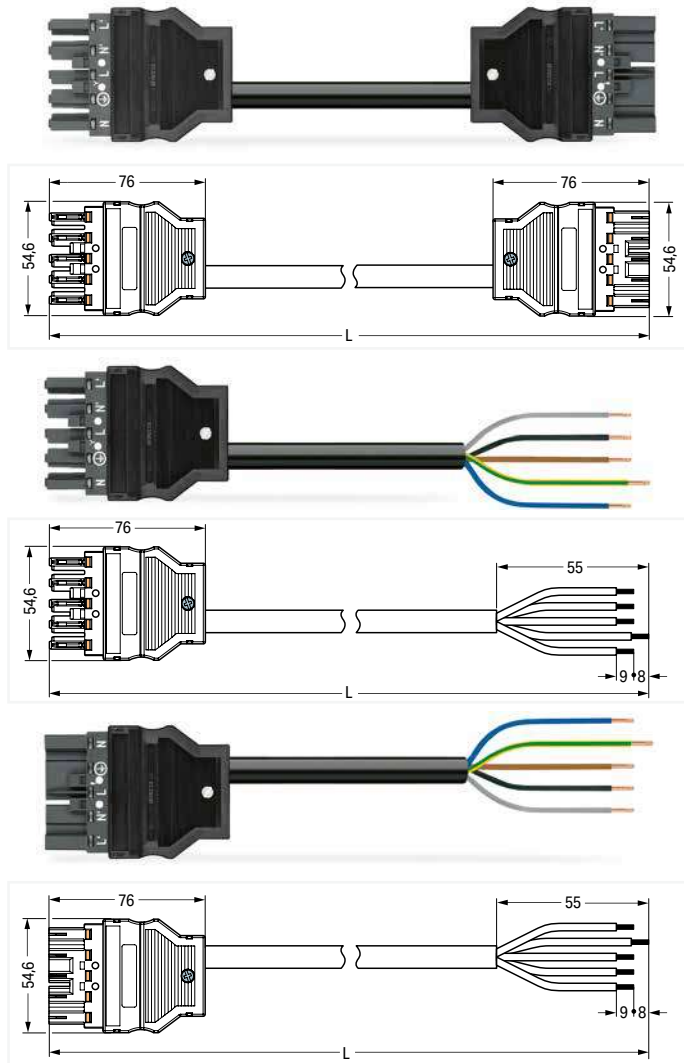
Accessories; for all products on this page

 Locking lever; for flying leads; manually operated			 Locking lever; for flying leads; tool operated			 Mounting carrier; for flying leads; 2- to 5-pole		
Color	Item no.	PU (SPU)	Color	Item no.	PU (SPU)	Color	Item no.	PU
● black	770-101	100 (25)	● black	770-111	100 (25)	● black	770-310	25
○ white	770-121	100 (25)	○ white	770-131	100 (25)			

PU = packaging unit; SPU = subpackaging unit; Dimensions in mm

Cable assembly ▶ WINSTA® MIDI ▶ 771 Series

Pole number: 5 ▶ Protection type: IP20 ▶ Fire class per EN 50575: E_{ca} ▶ Coding: L ▶ 2.5 mm² ▶ Marking: N ⊕ L N' L' ▶ PVC ▶ Sheathed cable diameter: 11.2 ... 13.9 mm ▶ H05VV-F 5G2.5 ▶ Emergency power supply






Interconnecting cable ▶ Socket - Plug			
Total length	Connector color / Strain relief color		PU
	dark gray / black	dark gray / white	
1 m	771-8985/007-103	771-8985/007-104	1
2 m	771-8985/007-203	771-8985/007-204	1
3 m	771-8985/007-303	771-8985/007-304	1
4 m	771-8985/007-403	771-8985/007-404	1
5 m	771-8985/007-503	771-8985/007-504	1
6 m	771-8985/007-603	771-8985/007-604	1
7 m	771-8985/007-703	771-8985/007-704	1
8 m	771-8985/007-803	771-8985/007-804	1

Connecting cable ▶ Socket - free end ▶ Strip length (outer insulation): 55 mm			
Total length	Connector color / Strain relief color		PU
	dark gray / black	dark gray / white	
1 m	771-8985/107-103	771-8985/107-104	1
2 m	771-8985/107-203	771-8985/107-204	1
3 m	771-8985/107-303	771-8985/107-304	1
4 m	771-8985/107-403	771-8985/107-404	1
5 m	771-8985/107-503	771-8985/107-504	1
6 m	771-8985/107-603	771-8985/107-604	1
7 m	771-8985/107-703	771-8985/107-704	1
8 m	771-8985/107-803	771-8985/107-804	1

Connecting cable ▶ Plug - free end ▶ Strip length (outer insulation): 55 mm			
Total length	Connector color / Strain relief color		PU
	dark gray / black	dark gray / white	
1 m	771-8985/207-103	771-8985/207-104	1
2 m	771-8985/207-203	771-8985/207-204	1
3 m	771-8985/207-303	771-8985/207-304	1
4 m	771-8985/207-403	771-8985/207-404	1
5 m	771-8985/207-503	771-8985/207-504	1
6 m	771-8985/207-603	771-8985/207-604	1
7 m	771-8985/207-703	771-8985/207-704	1
8 m	771-8985/207-803	771-8985/207-804	1

Accessories; for all products on this page

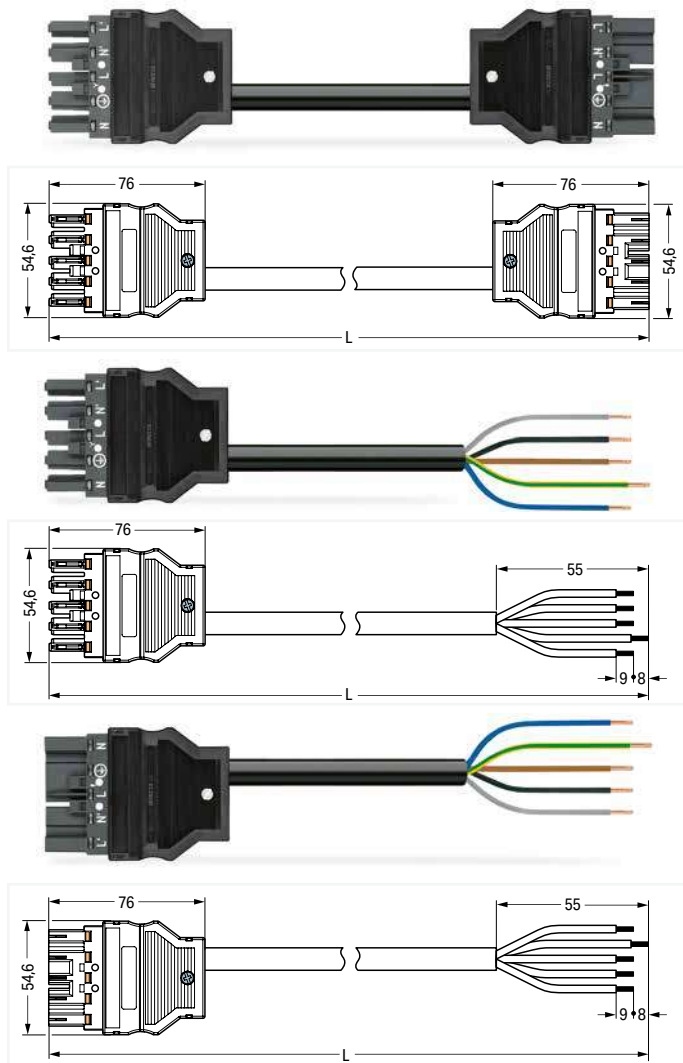
 Locking lever; for flying leads; manually operated			 Locking lever; for flying leads; tool operated			 Mounting carrier; for flying leads; 2- to 5-pole		
Color	Item no.	PU (SPU)	Color	Item no.	PU (SPU)	Color	Item no.	PU
● black	770-101	100 (25)	● black	770-111	100 (25)	● black	770-310	25
○ white	770-121	100 (25)	○ white	770-131	100 (25)			

PU = packaging unit; SPU = subpackaging unit; Dimensions in mm

Cable assembly ▶ WINSTA® MIDI ▶ 771 Series

Pole number: 5 ▶ Protection type: IP20 ▶ Fire class per EN 50575: E_{ca} ▶ Coding: L ▶ 2.5 mm² ▶ Marking: N ⊕ L N' L' ▶ Halogen-free ▶ Sheathed cable diameter: 11.2 ... 13.9 mm ▶ H05Z1Z1-F 5G2.5 ▶ Emergency power supply

2






Interconnecting cable ▶ Socket - Plug			
Total length	Connector color / Strain relief color		PU
	dark gray / black	dark gray / white	
1 m	771-8985/017-103	771-8985/017-104	1
2 m	771-8985/017-203	771-8985/017-204	1
3 m	771-8985/017-303	771-8985/017-304	1
4 m	771-8985/017-403	771-8985/017-404	1
5 m	771-8985/017-503	771-8985/017-504	1
6 m	771-8985/017-603	771-8985/017-604	1
7 m	771-8985/017-703	771-8985/017-704	1
8 m	771-8985/017-803	771-8985/017-804	1

Connecting cable ▶ Socket - free end ▶ Strip length (outer insulation): 55 mm			
Total length	Connector color / Strain relief color		PU
	dark gray / black	dark gray / white	
1 m	771-8985/117-103	771-8985/117-104	1
2 m	771-8985/117-203	771-8985/117-204	1
3 m	771-8985/117-303	771-8985/117-304	1
4 m	771-8985/117-403	771-8985/117-404	1
5 m	771-8985/117-503	771-8985/117-504	1
6 m	771-8985/117-603	771-8985/117-604	1
7 m	771-8985/117-703	771-8985/117-704	1
8 m	771-8985/117-803	771-8985/117-804	1

Connecting cable ▶ Plug - free end ▶ Strip length (outer insulation): 55 mm			
Total length	Connector color / Strain relief color		PU
	dark gray / black	dark gray / white	
1 m	771-8985/217-103	771-8985/217-104	1
2 m	771-8985/217-203	771-8985/217-204	1
3 m	771-8985/217-303	771-8985/217-304	1
4 m	771-8985/217-403	771-8985/217-404	1
5 m	771-8985/217-503	771-8985/217-504	1
6 m	771-8985/217-603	771-8985/217-604	1
7 m	771-8985/217-703	771-8985/217-704	1
8 m	771-8985/217-803	771-8985/217-804	1

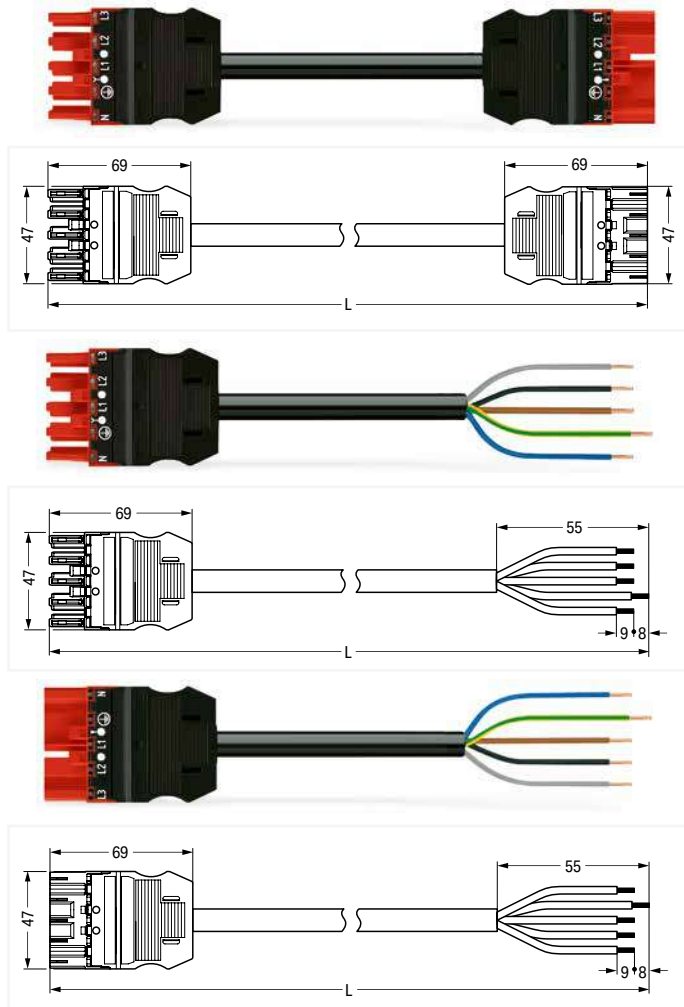
Accessories; for all products on this page

 Locking lever; for flying leads; manually operated			 Locking lever; for flying leads; tool operated			 Mounting carrier; for flying leads; 2- to 5-pole		
Color	Item no.	PU (SPU)	Color	Item no.	PU (SPU)	Color	Item no.	PU
● black	770-101	100 (25)	● black	770-111	100 (25)	● black	770-310	25
○ white	770-121	100 (25)	○ white	770-131	100 (25)			

PU = packaging unit; SPU = subpackaging unit; Dimensions in mm

Cable assembly ▶ WINSTA® MIDI ▶ 771 Series

Pole number: 5 ▶ Protection type: IP20 ▶ Fire class per EN 50575: E_{ca} ▶ Coding: P ▶ 1.5 mm² ▶ Marking: N ⊕ L1 L2 L3 ▶ PVC ▶ Sheathed cable diameter: 9.3 ... 11.6 mm ▶ H05VV-F 5G1.5 ▶ EDV (UPS)






Interconnecting cable ▶ Socket - Plug			
Total length	Connector color / Strain relief color		PU
	red / black	red / white	
1 m	771-9975/006-101	771-9975/006-102	1
2 m	771-9975/006-201	771-9975/006-202	1
3 m	771-9975/006-301	771-9975/006-302	1
4 m	771-9975/006-401	771-9975/006-402	1
5 m	771-9975/006-501	771-9975/006-502	1
6 m	771-9975/006-601	771-9975/006-602	1
7 m	771-9975/006-701	771-9975/006-702	1
8 m	771-9975/006-801	771-9975/006-802	1

Connecting cable ▶ Socket - free end ▶ Strip length (outer insulation): 55 mm			
Total length	Connector color / Strain relief color		PU
	red / black	red / white	
1 m	771-9975/106-101	771-9975/106-102	1
2 m	771-9975/106-201	771-9975/106-202	1
3 m	771-9975/106-301	771-9975/106-302	1
4 m	771-9975/106-401	771-9975/106-402	1
5 m	771-9975/106-501	771-9975/106-502	1
6 m	771-9975/106-601	771-9975/106-602	1
7 m	771-9975/106-701	771-9975/106-702	1
8 m	771-9975/106-801	771-9975/106-802	1

Connecting cable ▶ Plug - free end ▶ Strip length (outer insulation): 55 mm			
Total length	Connector color / Strain relief color		PU
	red / black	red / white	
1 m	771-9975/206-101	771-9975/206-102	1
2 m	771-9975/206-201	771-9975/206-202	1
3 m	771-9975/206-301	771-9975/206-302	1
4 m	771-9975/206-401	771-9975/206-402	1
5 m	771-9975/206-501	771-9975/206-502	1
6 m	771-9975/206-601	771-9975/206-602	1
7 m	771-9975/206-701	771-9975/206-702	1
8 m	771-9975/206-801	771-9975/206-802	1

2

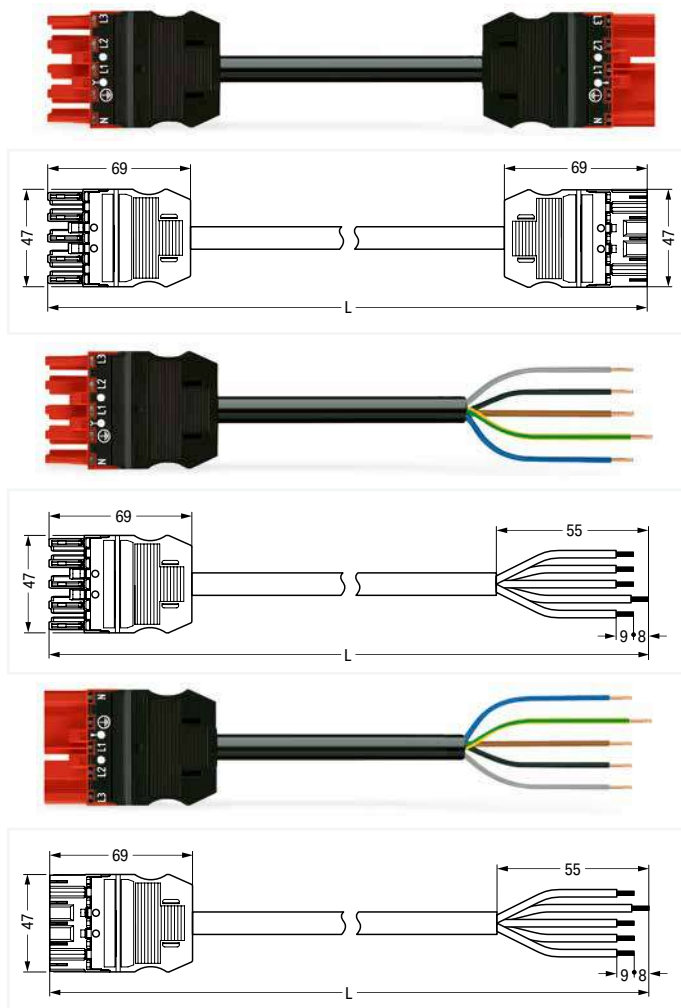
Accessories; for all products on this page

 Locking lever; for flying leads; manually operated			 Locking lever; for flying leads; tool operated			 Mounting carrier; for flying leads; 2- to 5-pole		
Color	Item no.	PU (SPU)	Color	Item no.	PU (SPU)	Color	Item no.	PU
● black	770-101	100 (25)	● black	770-111	100 (25)	● black	770-310	25
○ white	770-121	100 (25)	○ white	770-131	100 (25)			

PU = packaging unit; SPU = subpackaging unit; Dimensions in mm

Cable assembly ▶ WINSTA® MIDI ▶ 771 Series

Pole number: 5 ▶ Protection type: IP20 ▶ Fire class per EN 50575: E_{ca} ▶ Coding: P ▶ 1.5 mm² ▶ Marking: N ⊕ L1 L2 L3 ▶ Halogen-free ▶ Sheathed cable diameter: 9.3 ... 11.6 mm ▶ H05Z1Z1-F 5G1.5 ▶ EDV (UPS)






Total length	Connector color / Strain relief color		PU
	red / black	red / white	
1 m	771-9975/016-101	771-9975/016-102	1
2 m	771-9975/016-201	771-9975/016-202	1
3 m	771-9975/016-301	771-9975/016-302	1
4 m	771-9975/016-401	771-9975/016-402	1
5 m	771-9975/016-501	771-9975/016-502	1
6 m	771-9975/016-601	771-9975/016-602	1
7 m	771-9975/016-701	771-9975/016-702	1
8 m	771-9975/016-801	771-9975/016-802	1

Total length	Connector color / Strain relief color		PU
	red / black	red / white	
1 m	771-9975/116-101	771-9975/116-102	1
2 m	771-9975/116-201	771-9975/116-202	1
3 m	771-9975/116-301	771-9975/116-302	1
4 m	771-9975/116-401	771-9975/116-402	1
5 m	771-9975/116-501	771-9975/116-502	1
6 m	771-9975/116-601	771-9975/116-602	1
7 m	771-9975/116-701	771-9975/116-702	1
8 m	771-9975/116-801	771-9975/116-802	1

Total length	Connector color / Strain relief color		PU
	red / black	red / white	
1 m	771-9975/216-101	771-9975/216-102	1
2 m	771-9975/216-201	771-9975/216-202	1
3 m	771-9975/216-301	771-9975/216-302	1
4 m	771-9975/216-401	771-9975/216-402	1
5 m	771-9975/216-501	771-9975/216-502	1
6 m	771-9975/216-601	771-9975/216-602	1
7 m	771-9975/216-701	771-9975/216-702	1
8 m	771-9975/216-801	771-9975/216-802	1

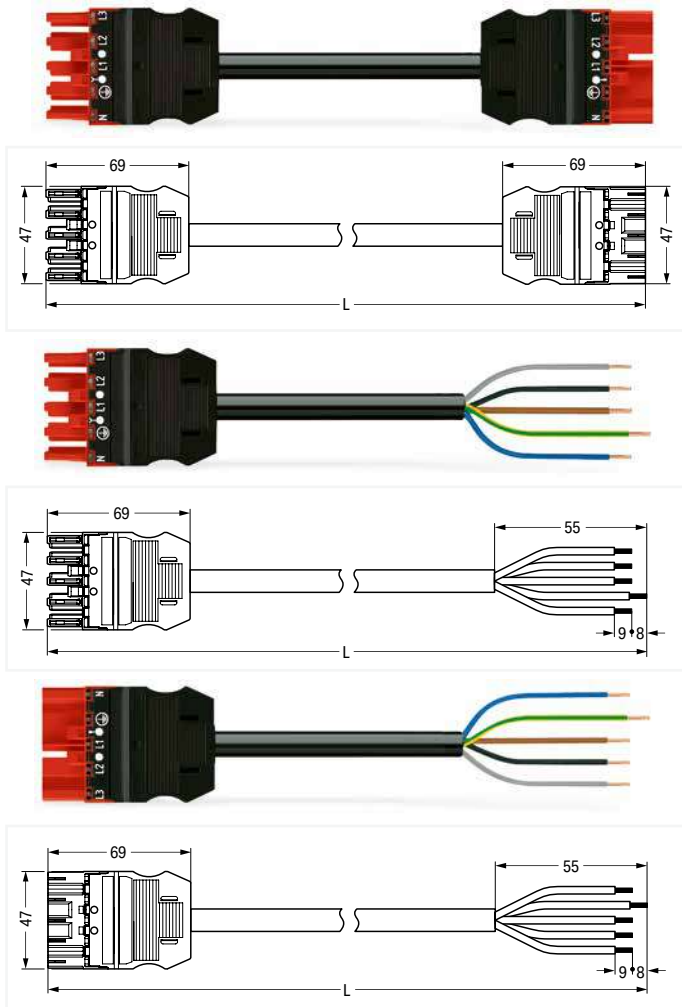
Accessories; for all products on this page

 Locking lever; for flying leads; manually operated			 Locking lever; for flying leads; tool operated			 Mounting carrier; for flying leads; 2- to 5-pole		
Color	Item no.	PU (SPU)	Color	Item no.	PU (SPU)	Color	Item no.	PU
● black	770-101	100 (25)	● black	770-111	100 (25)	● black	770-310	25
○ white	770-121	100 (25)	○ white	770-131	100 (25)			

PU = packaging unit; SPU = subpackaging unit; Dimensions in mm

Cable assembly ▶ WINSTA® MIDI ▶ 771 Series

Pole number: 5 ▶ Protection type: IP20 ▶ Fire class per EN 50575: E_{ca} ▶ Coding: P ▶ 2.5 mm² ▶ Marking: N ⊕ L1 L2 L3 ▶ PVC ▶ Sheathed cable diameter: 11.2 ... 13.9 mm ▶ H05VV-F 5G2.5 ▶ EDV (UPS)






Total length	Connector color / Strain relief color		PU
	red / black	red / white	
1 m	771-9975/007-101	771-9975/007-102	1
2 m	771-9975/007-201	771-9975/007-202	1
3 m	771-9975/007-301	771-9975/007-302	1
4 m	771-9975/007-401	771-9975/007-402	1
5 m	771-9975/007-501	771-9975/007-502	1
6 m	771-9975/007-601	771-9975/007-602	1
7 m	771-9975/007-701	771-9975/007-702	1
8 m	771-9975/007-801	771-9975/007-802	1

Total length	Connector color / Strain relief color		PU
	red / black	red / white	
1 m	771-9975/107-101	771-9975/107-102	1
2 m	771-9975/107-201	771-9975/107-202	1
3 m	771-9975/107-301	771-9975/107-302	1
4 m	771-9975/107-401	771-9975/107-402	1
5 m	771-9975/107-501	771-9975/107-502	1
6 m	771-9975/107-601	771-9975/107-602	1
7 m	771-9975/107-701	771-9975/107-702	1
8 m	771-9975/107-801	771-9975/107-802	1

Total length	Connector color / Strain relief color		PU
	red / black	red / white	
1 m	771-9975/207-101	771-9975/207-102	1
2 m	771-9975/207-201	771-9975/207-202	1
3 m	771-9975/207-301	771-9975/207-302	1
4 m	771-9975/207-401	771-9975/207-402	1
5 m	771-9975/207-501	771-9975/207-502	1
6 m	771-9975/207-601	771-9975/207-602	1
7 m	771-9975/207-701	771-9975/207-702	1
8 m	771-9975/207-801	771-9975/207-802	1

2

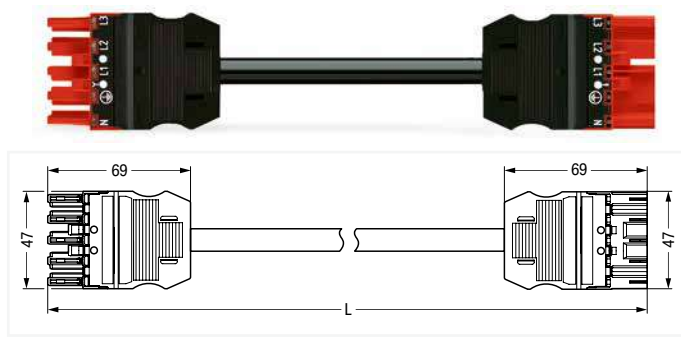
Accessories; for all products on this page

 Locking lever; for flying leads; manually operated			 Locking lever; for flying leads; tool operated			 Mounting carrier; for flying leads; 2- to 5-pole		
Color	Item no.	PU (SPU)	Color	Item no.	PU (SPU)	Color	Item no.	PU
● black	770-101	100 (25)	● black	770-111	100 (25)	● black	770-310	25
○ white	770-121	100 (25)	○ white	770-131	100 (25)			

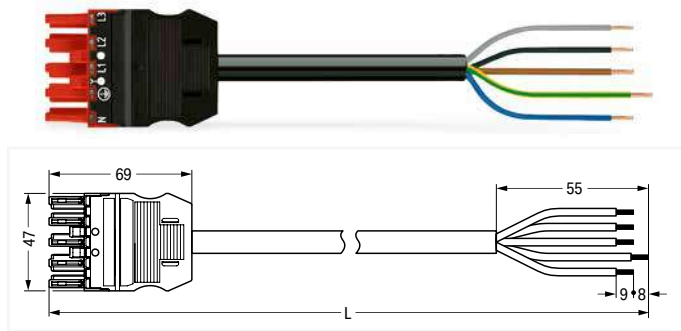
PU = packaging unit; SPU = subpackaging unit; Dimensions in mm

Cable assembly ▶ WINSTA® MIDI ▶ 771 Series

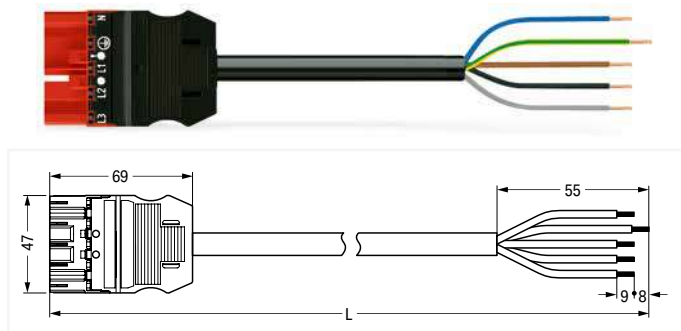
Pole number: 5 ▶ Protection type: IP20 ▶ Fire class per EN 50575: E_{ca} ▶ Coding: P ▶ 2.5 mm² ▶ Marking: N ⊕ L1 L2 L3 ▶ Halogen-free ▶ Sheathed cable diameter: 11.2 ... 13.9 mm ▶ H05Z1Z1-F 5G2.5 ▶ EDV (UPS)



Total length	Connector color / Strain relief color		PU
	red / black	red / white	
1 m	771-9975/017-101	771-9975/017-102	1
2 m	771-9975/017-201	771-9975/017-202	1
3 m	771-9975/017-301	771-9975/017-302	1
4 m	771-9975/017-401	771-9975/017-402	1
5 m	771-9975/017-501	771-9975/017-502	1
6 m	771-9975/017-601	771-9975/017-602	1
7 m	771-9975/017-701	771-9975/017-702	1
8 m	771-9975/017-801	771-9975/017-802	1






Total length	Connector color / Strain relief color		PU
	red / black	red / white	
1 m	771-9975/117-101	771-9975/117-102	1
2 m	771-9975/117-201	771-9975/117-202	1
3 m	771-9975/117-301	771-9975/117-302	1
4 m	771-9975/117-401	771-9975/117-402	1
5 m	771-9975/117-501	771-9975/117-502	1
6 m	771-9975/117-601	771-9975/117-602	1
7 m	771-9975/117-701	771-9975/117-702	1
8 m	771-9975/117-801	771-9975/117-802	1



Total length	Connector color / Strain relief color		PU
	red / black	red / white	
1 m	771-9975/217-101	771-9975/217-102	1
2 m	771-9975/217-201	771-9975/217-202	1
3 m	771-9975/217-301	771-9975/217-302	1
4 m	771-9975/217-401	771-9975/217-402	1
5 m	771-9975/217-501	771-9975/217-502	1
6 m	771-9975/217-601	771-9975/217-602	1
7 m	771-9975/217-701	771-9975/217-702	1
8 m	771-9975/217-801	771-9975/217-802	1

Accessories; for all products on this page

 Locking lever; for flying leads; manually operated			 Locking lever; for flying leads; tool operated			 Mounting carrier; for flying leads; 2- to 5-pole		
Color	Item no.	PU (SPU)	Color	Item no.	PU (SPU)	Color	Item no.	PU
● black	770-101	100 (25)	● black	770-111	100 (25)	● black	770-310	25
○ white	770-121	100 (25)	○ white	770-131	100 (25)			

PU = packaging unit; SPU = subpackaging unit; Dimensions in mm

2



WAGO Pluggable Connection System *WINSTA*[®] MAXI

WAGO Pluggable Connection System WINSTA® MAXI ▶ 831 Series

6 mm² / 35 A

- Note:**
- Installation connectors are designed for connection and disconnection while not under load.
 - There is no hazard-inducing interchangeability with systems based on IEC 60309, IEC 60320, IEC 60906 and with national connector and socket systems.
 - Compliance with the standards (IEC 61535) does not guarantee hazard-preventing, non-interchangeability with installation connector systems from various manufacturers.
 - Installation connector systems are not a substitute for residential connector/socket systems.
 - WINSTA® MAXI Connectors are not intended for installation in open or easily accessible areas.



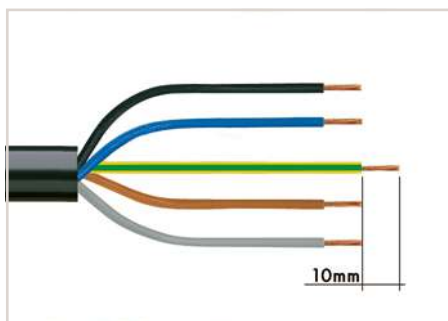
Pluggable Connectors; 831 Series
5-pole

Page

278

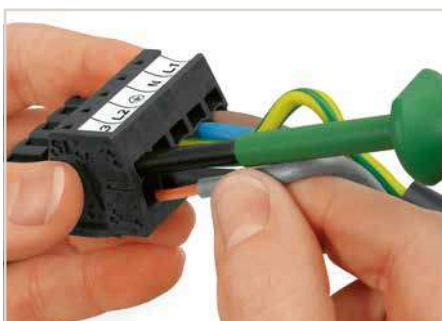
3

WINSTA® MAXI ▶ 831 Series Description and Installation



The following lengths are recommended:

1. Strip length, outer insulation = 80 mm
2. Strip length = 13 mm
3. Extended ground conductor = 10 mm



To terminate fine-stranded conductors, open the clamping unit via screwdriver (5.5 mm blade width) and insert a stripped conductor until it hits backstop.



The printed marking of the connector is clearly visible in the openings of the strain relief housing.

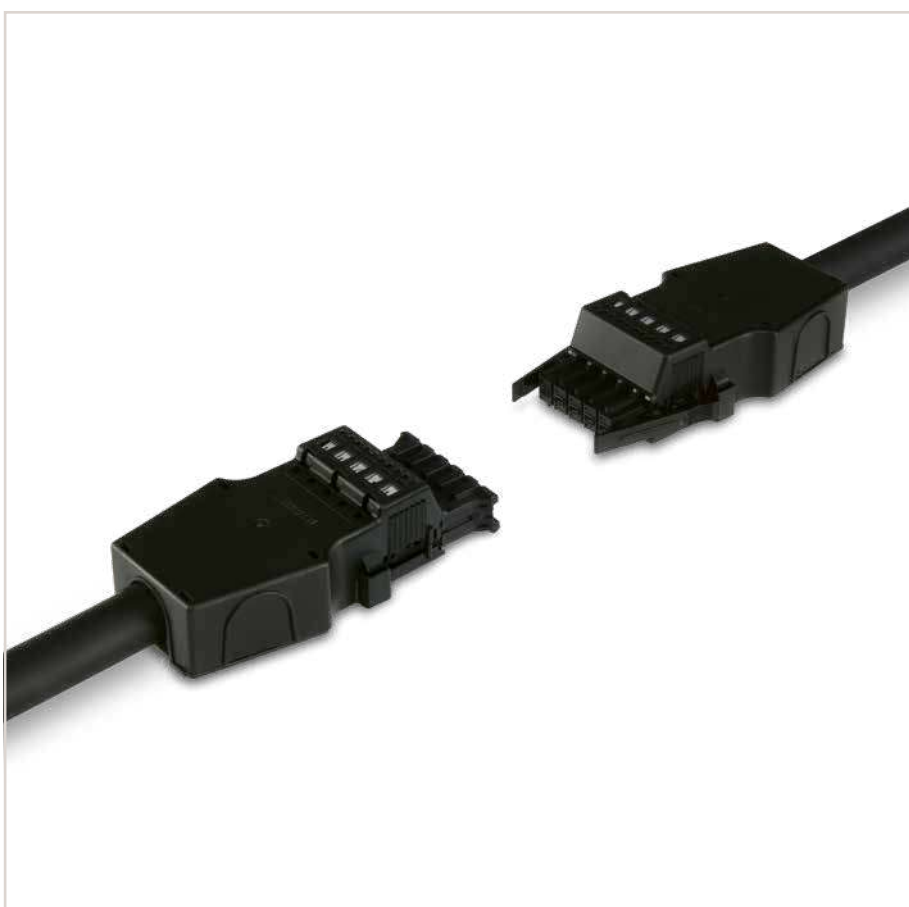
3



Unscrew base of strain relief housing.



Snap wired connector onto the base.



Tighten strain relief using a screwdriver.



Wired connector fitted in base of strain relief housing.



Latch the top of the strain relief housing.

3

Pluggable connectors ▶ WINSTA® MAXI ▶ 831 Series

Pole number: 5



- Protected against mismatching and maintenance-free
- Push-in CAGE CLAMP® spring pressure connection technology allows solid conductors to be simply pushed into a unit.
- Minimize voltage drop over longer cable runs.

Electrical data

Ratings per	IEC/EN 60664-1		
Overvoltage category	III	III	II
Pollution degree	3	2	2
Nominal voltage	400 V	-	-
Rated surge voltage	6 kV	-	-
Rated current	35 A	-	-

Connection data

Connection technology	Push-in CAGE CLAMP®
Strip length	13 mm / 0.51 inches
Nominal cross-section	6 mm ² / 8 AWG
Solid conductor	0.5 ... 6 mm ² / 20 ... 8 AWG
Stranded conductor	0.5 ... 4 mm ² / 20 ... 12 AWG
Fine-stranded conductor	0.5 ... 6 mm ² / 20 ... 8 AWG

Material Data

Material group	I
Insulation material	Polyamide (PA66)
Flammability class per UL94	V0
Clamping spring material	Chrome-nickel spring steel (CrNi)
Contact material	Copper or copper alloy; surface-treated
Contact plating	Tin

Mechanical Data

Number of mating cycles	100, without resistive load
Mating force of a plug-in connection	approx. 30 ... 70 N (depending on number of poles)
Unmating force of a plug-in connection	Unlocked: approx. 30 ... 70 N (depending on number of poles)
Retention force of a plug-in connection	Locked: > 80 N
Protection type	IP20
Note on protection type	When mated and secured with a strain relief housing: IP2xC (These compact connectors are not designed for use in open, easily accessible areas!)

Environmental requirements

Processing temperature	-5 ... +40 °C
Continuous operating temperature	-35 ... +85 °C
Note on continuous operating temperature	Insulating parts for temperatures ≤ 105 °C

All WINSTA® components are 100% protected against mismatching when:

- plugging different numbers of poles
- plugging while rotated 180
- plugging while laterally staggered
- plugging one pole

See technical section for further information

Approvals and corresponding ratings, visit www.wago.com

Pluggable connectors ► WINSTA® MAXI ► 831 Series

Pole number: 5

Female connector/socket



Male connector/plug

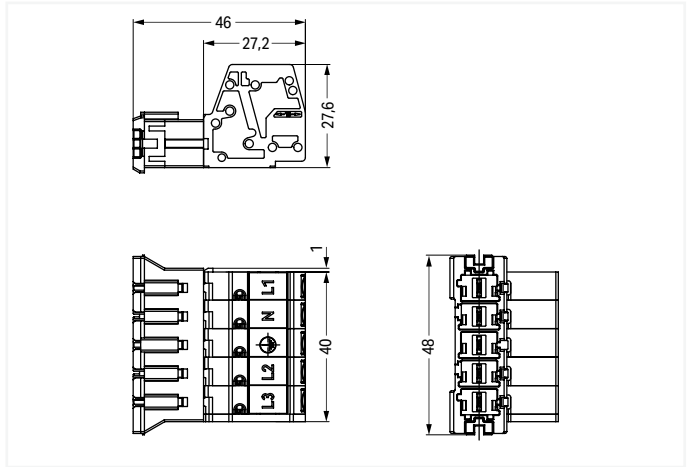
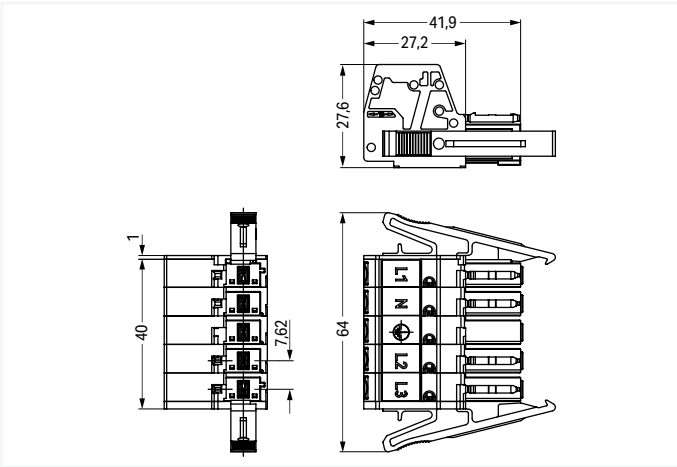


831-3105/1019-004

Color	Coding	Marking	Item no.	PU
● black	A	L1 N ⊕ L2 L3	831-3105/1019-004	5
○ white	A	L1 N ⊕ L2 L3	831-3105/1019-050	5

831-3205/1020-004

Color	Coding	Marking	Item no.	PU
● black	A	L1 N ⊕ L2 L3	831-3205/1020-004	5
○ white	A	L1 N ⊕ L2 L3	831-3205/1020-050	5



3

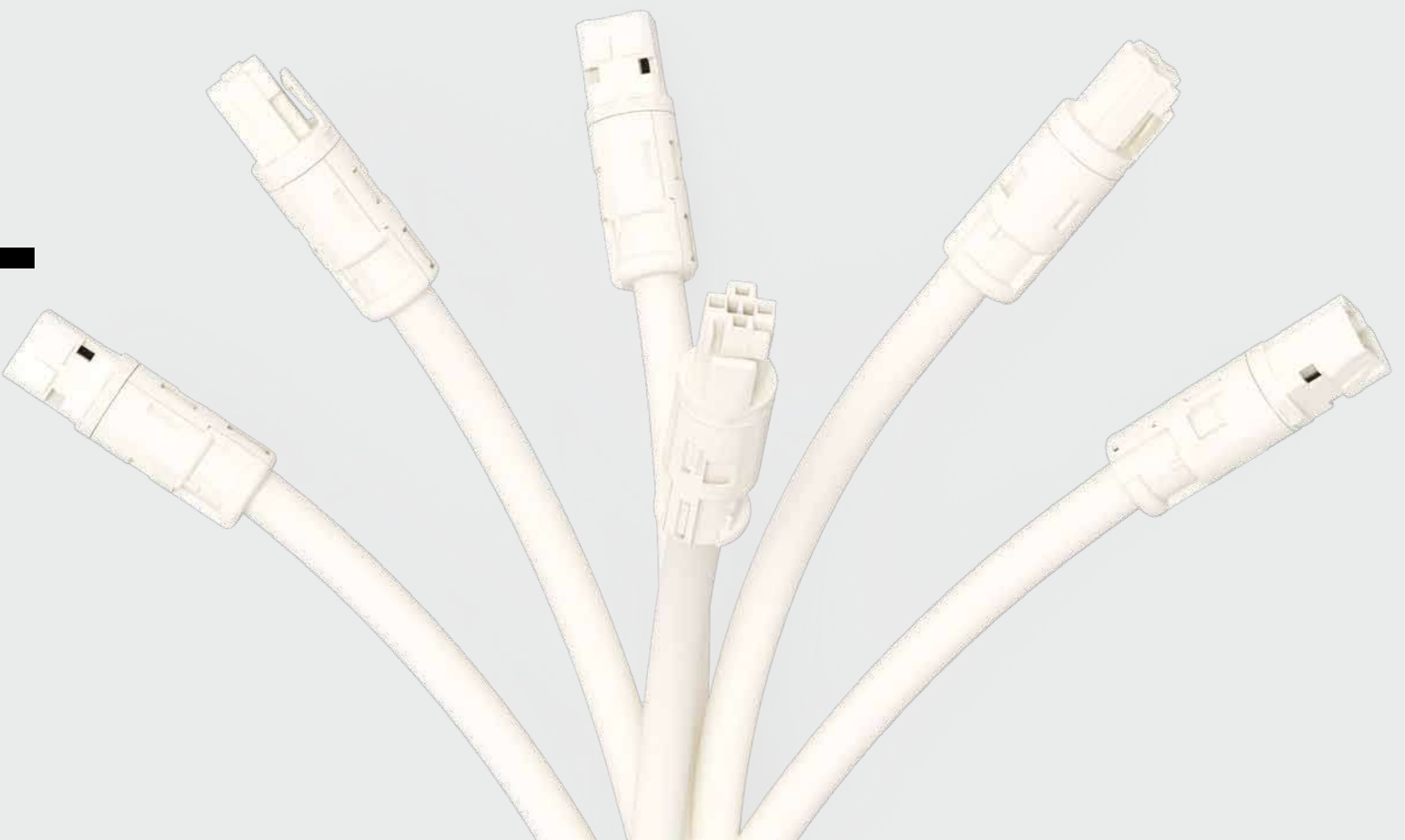
Accessories; for all products on this page



Operating tool; ; Pole number:

Color	Item no.	PU (SPU)
○ multicoloured	210-721	25 (1)

PU = packaging unit; SPU = subpackaging unit; Dimensions in mm



WAGO Pluggable Connection System *WINSTA*[®] RD

WAGO Pluggable Connection System WINSTA® RD ▶ 774 Series

2.5 mm² / 20 A

- Note:**
- Installation connectors are designed for connection and disconnection while not under load.
 - There is no hazard-inducing interchangeability with systems based on IEC 60309, IEC 60320, IEC 60906 and with national connector and socket systems.
 - Compliance with the standards (IEC 61535) does not guarantee hazard-preventing, non-interchangeability with installation connector systems from various manufacturers.
 - Installation connector systems are not a substitute for residential connector/socket systems.
 - WINSTA® RD Connectors are not intended for installation in open or easily accessible areas.



	Page
Cable Assemblies; 774 Series	
3-pole	282
4-pole	290

Cable assembly ▶ WINSTA® RD ▶ 774 SeriesPole number: 3 ▶ Protection type: IP20 ▶ Fire class per EN 50575: E_{ca}

- For round conduits and ducts
- 3- and 4-pole pre-assembled cables with 17.5 mm (0.0689 inch) outer diameter for easy plug & play
- Plug-in integration into the electrical installations of hollow-wall boxes via adapter, for example

Electrical data						
Coding	A; S			A		
Wire cross-section	1.5 mm ²			2.5 mm ²		
Ratings per	IEC/EN 60664-1			IEC/EN 60664-1		
Overtoltage category	III	III	II	III	III	II
Pollution degree	3	2	2	3	2	2
Nominal voltage	250 V	-	-	250 V	-	-
Rated surge voltage	4 kV	-	-	4 kV	-	-
Rated current	16 A	-	-	20 A	-	-
Material Data						
Insulation material	Polyamide (PA66)					
Contact material	Copper or copper alloy; surface-treated					
Contact plating	Tin					
Fire class per EN 50575	E _{ca}					
Mechanical Data						
Number of mating cycles	200, without resistive load					
Mating force of a plug-in connection	Approx. 30 ... 70 N (depending on pole number)					
Unmating force of a plug-in connection	Unlocked: approx. 30 ... 70 N (depending on pole number)					
Retention force of a plug-in connection	when locked: > 80N					
Protection type	IP20					
Note on protection type	When mated: IP2xC (These compact connectors are not designed for use in open, easily accessible areas!)					
Environmental requirements						
Processing temperature	-5 ... +40 °C					
Continuous operating temperature	-35 ... +85 °C					
Note on continuous operating temperature	Cable for temperatures ≤ 70 °C (including halogen-free) Insulating parts for temperatures ≤ 105 °C					

Cables with a different fire class can be found in the eShop.

All WINSTA® components are 100% protected against mismatching when:

- plugging different numbers of poles
- plugging while incorrectly rotated
- plugging while laterally staggered

Coding Page 371

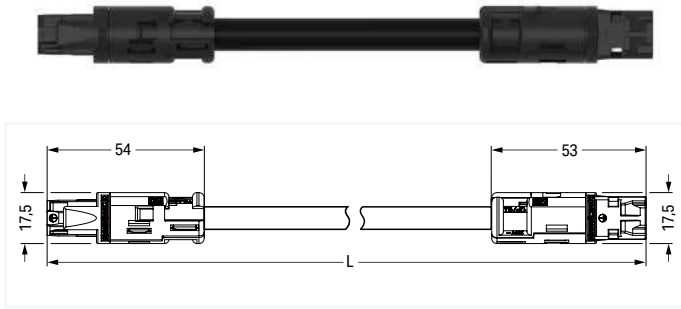
Cover Page 368

See technical section for further information

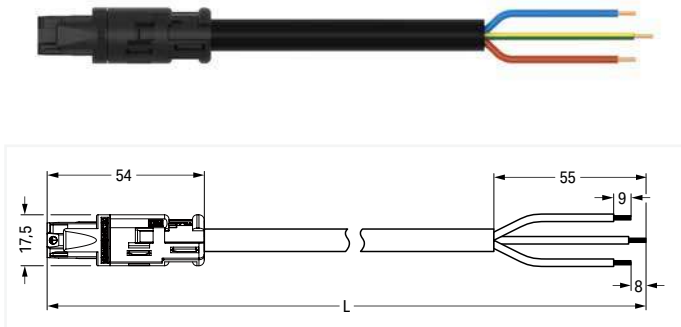
Approvals and corresponding ratings, visit www.wago.com

Cable assembly ▶ WINSTA® RD ▶ 774 Series

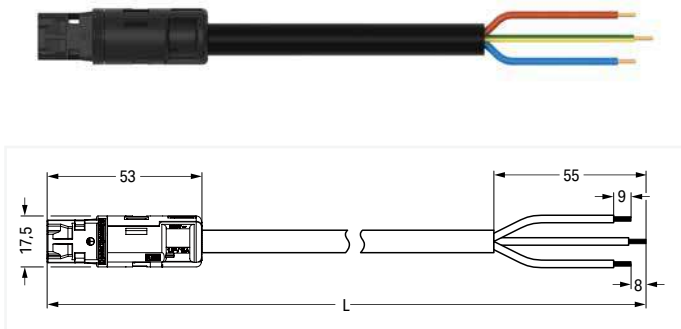
Pole number: 3 ▶ Protection type: IP20 ▶ Fire class per EN 50575: E_{ca} ▶ Coding: A ▶ 1.5 mm² ▶ Marking: L ⊕ N ▶ PVC ▶ Sheathed cable diameter: 7.4 ... 9.4 mm ▶ H05VV-F 3G1.5



Interconnecting cable ▶ Socket - Plug			
Total length	Connector color / Strain relief color		PU
	black / black	white / white	
1 m	774-9993/006-101	774-9993/006-102	1
2 m	774-9993/006-201	774-9993/006-202	1
3 m	774-9993/006-301	774-9993/006-302	1
4 m	774-9993/006-401	774-9993/006-402	1
5 m	774-9993/006-501	774-9993/006-502	1
6 m	774-9993/006-601	774-9993/006-602	1
7 m	774-9993/006-701	774-9993/006-702	1
8 m	774-9993/006-801	774-9993/006-802	1



Connecting cable ▶ Socket - free end			
Total length	Connector color / Strain relief color		PU
	black / black	white / white	
1 m	774-9993/106-101	774-9993/106-102	1
2 m	774-9993/106-201	774-9993/106-202	1
3 m	774-9993/106-301	774-9993/106-302	1
4 m	774-9993/106-401	774-9993/106-402	1
5 m	774-9993/106-501	774-9993/106-502	1
6 m	774-9993/106-601	774-9993/106-602	1
7 m	774-9993/106-701	774-9993/106-702	1
8 m	774-9993/106-801	774-9993/106-802	1



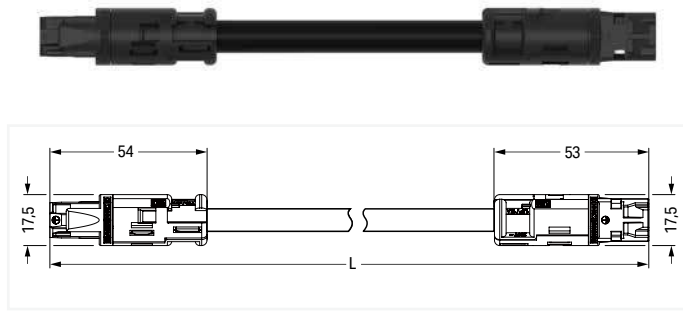
Connecting cable ▶ Plug - free end			
Total length	Connector color / Strain relief color		PU
	black / black	white / white	
1 m	774-9993/206-101	774-9993/206-102	1
2 m	774-9993/206-201	774-9993/206-202	1
3 m	774-9993/206-301	774-9993/206-302	1
4 m	774-9993/206-401	774-9993/206-402	1
5 m	774-9993/206-501	774-9993/206-502	1
6 m	774-9993/206-601	774-9993/206-602	1
7 m	774-9993/206-701	774-9993/206-702	1
8 m	774-9993/206-801	774-9993/206-802	1

4

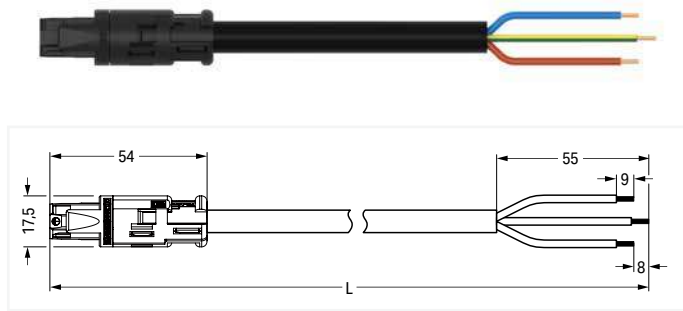
PU = packaging unit; SPU = subpackaging unit; Dimensions in mm

Cable assembly ▶ WINSTA® RD ▶ 774 Series

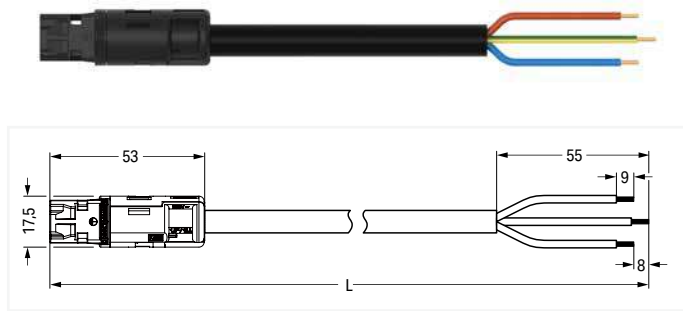
Pole number: 3 ▶ Protection type: IP20 ▶ Fire class per EN 50575: E_{ca} ▶ Coding: A ▶ 1.5 mm² ▶ Marking: L ⊕ N ▶ Halogen-free ▶ Sheathed cable diameter: 7.4 ... 9.4 mm ▶ H05Z1Z1-F 3G1.5



Interconnecting cable ▶ Socket - Plug			
Total length	Connector color / Strain relief color		PU
	black / black	white / white	
1 m	774-9993/016-101	774-9993/016-102	1
2 m	774-9993/016-201	774-9993/016-202	1
3 m	774-9993/016-301	774-9993/016-302	1
4 m	774-9993/016-401	774-9993/016-402	1
5 m	774-9993/016-501	774-9993/016-502	1
6 m	774-9993/016-601	774-9993/016-602	1
7 m	774-9993/016-701	774-9993/016-702	1
8 m	774-9993/016-801	774-9993/016-802	1



Connecting cable ▶ Socket - free end			
Total length	Connector color / Strain relief color		PU
	black / black	white / white	
1 m	774-9993/116-101	774-9993/116-102	1
2 m	774-9993/116-201	774-9993/116-202	1
3 m	774-9993/116-301	774-9993/116-302	1
4 m	774-9993/116-401	774-9993/116-402	1
5 m	774-9993/116-501	774-9993/116-502	1
6 m	774-9993/116-601	774-9993/116-602	1
7 m	774-9993/116-701	774-9993/116-702	1
8 m	774-9993/116-801	774-9993/116-802	1



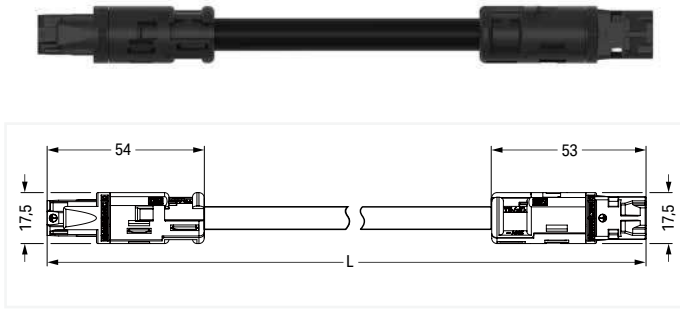
Connecting cable ▶ Plug - free end			
Total length	Connector color / Strain relief color		PU
	black / black	white / white	
1 m	774-9993/216-101	774-9993/216-102	1
2 m	774-9993/216-201	774-9993/216-202	1
3 m	774-9993/216-301	774-9993/216-302	1
4 m	774-9993/216-401	774-9993/216-402	1
5 m	774-9993/216-501	774-9993/216-502	1
6 m	774-9993/216-601	774-9993/216-602	1
7 m	774-9993/216-701	774-9993/216-702	1
8 m	774-9993/216-801	774-9993/216-802	1

4

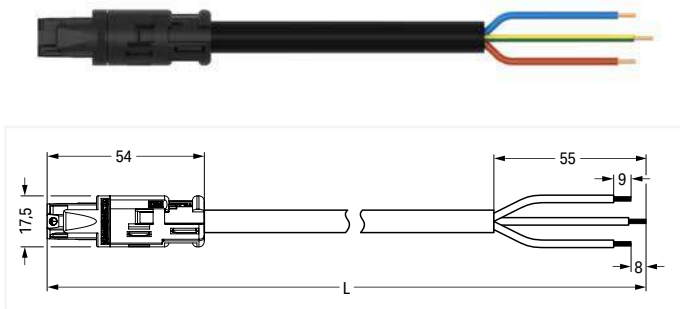
PU = packaging unit; SPU = subpackaging unit; Dimensions in mm

Cable assembly ▶ WINSTA® RD ▶ 774 Series

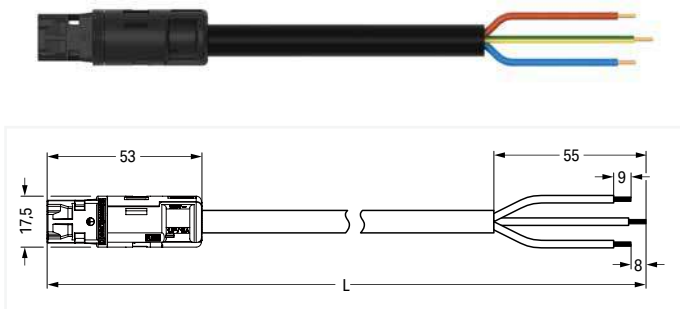
Pole number: 3 ▶ Protection type: IP20 ▶ Fire class per EN 50575: E_{ca} ▶ Coding: A ▶ 2.5 mm² ▶ Marking: L ⊕ N ▶ PVC ▶ Sheathed cable diameter: 9.2 ... 11.4 mm ▶ H05VV-F 3G2.5



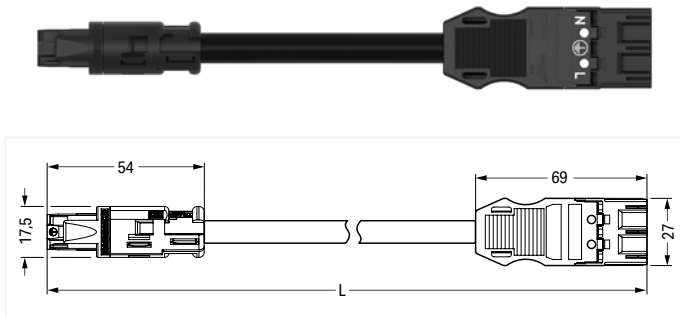
Interconnecting cable ▶ Socket - Plug			
Total length	Connector color / Strain relief color		PU
	black / black	white / white	
1 m	774-9993/007-101	774-9993/007-102	1
2 m	774-9993/007-201	774-9993/007-202	1
3 m	774-9993/007-301	774-9993/007-302	1
4 m	774-9993/007-401	774-9993/007-402	1
5 m	774-9993/007-501	774-9993/007-502	1
6 m	774-9993/007-601	774-9993/007-602	1
7 m	774-9993/007-701	774-9993/007-702	1
8 m	774-9993/007-801	774-9993/007-802	1



Connecting cable ▶ Socket - free end			
Total length	Connector color / Strain relief color		PU
	black / black	white / white	
1 m	774-9993/107-101	774-9993/107-102	1
2 m	774-9993/107-201	774-9993/107-202	1
3 m	774-9993/107-301	774-9993/107-302	1
4 m	774-9993/107-401	774-9993/107-402	1
5 m	774-9993/107-501	774-9993/107-502	1
6 m	774-9993/107-601	774-9993/107-602	1
7 m	774-9993/107-701	774-9993/107-702	1
8 m	774-9993/107-801	774-9993/107-802	1



Connecting cable ▶ Plug - free end			
Total length	Connector color / Strain relief color		PU
	black / black	white / white	
1 m	774-9993/207-101	774-9993/207-102	1
2 m	774-9993/207-201	774-9993/207-202	1
3 m	774-9993/207-301	774-9993/207-302	1
4 m	774-9993/207-401	774-9993/207-402	1
5 m	774-9993/207-501	774-9993/207-502	1
6 m	774-9993/207-601	774-9993/207-602	1
7 m	774-9993/207-701	774-9993/207-702	1
8 m	774-9993/207-801	774-9993/207-802	1



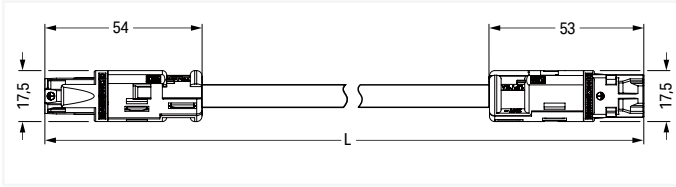
Adapter cable ▶ RD socket - MIDI plug			
Total length	Connector color / Strain relief color		PU
	black / black		
1 m	774-9993/1507-101		1
2 m	774-9993/1507-201		1
3 m	774-9993/1507-301		1
4 m	774-9993/1507-401		1
5 m	774-9993/1507-501		1
6 m	774-9993/1507-601		1
7 m	774-9993/1507-701		1
8 m	774-9993/1507-801		1

4

PU = packaging unit; SPU = subpackaging unit; Dimensions in mm

Cable assembly ▶ WINSTA® RD ▶ 774 Series

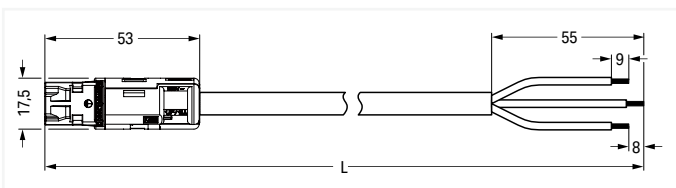
Pole number: 3 ▶ Protection type: IP20 ▶ Fire class per EN 50575: E_{ca} ▶ Coding: A ▶ 2.5 mm² ▶ Marking: L ⊕ N ▶ Halogen-free ▶ Sheathed cable diameter: 9.2 ... 11.4 mm ▶ H05Z1Z1-F 3G2.5



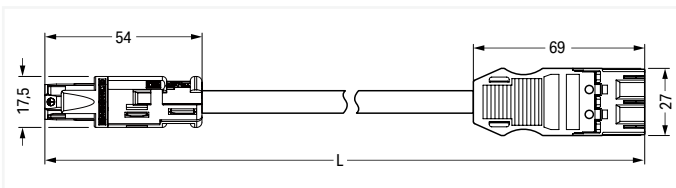
Interconnecting cable ▶ Socket - Plug			
Total length	Connector color / Strain relief color		PU
	black / black	white / white	
1 m	774-9993/017-101	774-9993/017-102	1
2 m	774-9993/017-201	774-9993/017-202	1
3 m	774-9993/017-301	774-9993/017-302	1
4 m	774-9993/017-401	774-9993/017-402	1
5 m	774-9993/017-501	774-9993/017-502	1
6 m	774-9993/017-601	774-9993/017-602	1
7 m	774-9993/017-701	774-9993/017-702	1
8 m	774-9993/017-801	774-9993/017-802	1



Connecting cable ▶ Socket - free end			
Total length	Connector color / Strain relief color		PU
	black / black	white / white	
1 m	774-9993/117-101	774-9993/117-102	1
2 m	774-9993/117-201	774-9993/117-202	1
3 m	774-9993/117-301	774-9993/117-302	1
4 m	774-9993/117-401	774-9993/117-402	1
5 m	774-9993/117-501	774-9993/117-502	1
6 m	774-9993/117-601	774-9993/117-602	1
7 m	774-9993/117-701	774-9993/117-702	1
8 m	774-9993/117-801	774-9993/117-802	1



Connecting cable ▶ Plug - free end			
Total length	Connector color / Strain relief color		PU
	black / black	white / white	
1 m	774-9993/217-101	774-9993/217-102	1
2 m	774-9993/217-201	774-9993/217-202	1
3 m	774-9993/217-301	774-9993/217-302	1
4 m	774-9993/217-401	774-9993/217-402	1
5 m	774-9993/217-501	774-9993/217-502	1
6 m	774-9993/217-601	774-9993/217-602	1
7 m	774-9993/217-701	774-9993/217-702	1
8 m	774-9993/217-801	774-9993/217-802	1

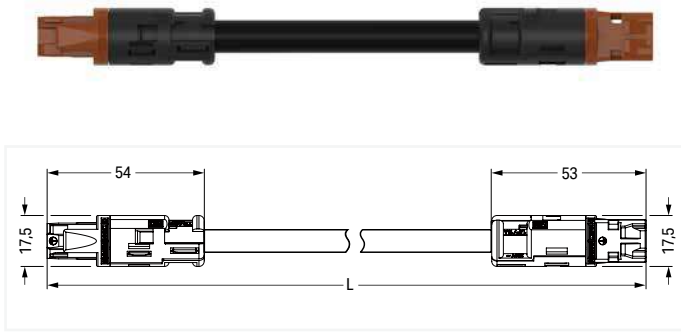


Adapter cable ▶ RD socket - MIDI plug			
Total length	Connector color / Strain relief color		PU
	black / black	white / white	
1 m	774-9993/1517-101		1
2 m	774-9993/1517-201		1
3 m	774-9993/1517-301		1
4 m	774-9993/1517-401		1
5 m	774-9993/1517-501		1
6 m	774-9993/1517-601		1
7 m	774-9993/1517-701		1
8 m	774-9993/1517-801		1

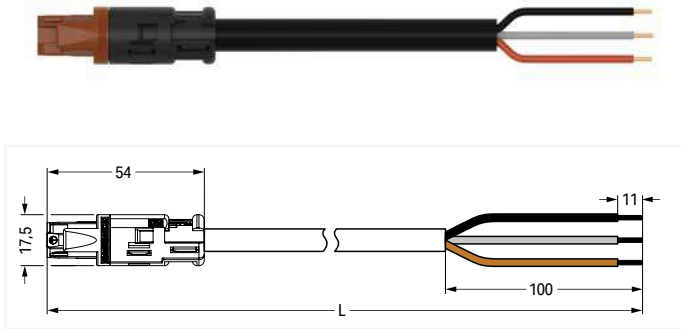
PU = packaging unit; SPU = subpackaging unit; Dimensions in mm

Cable assembly ▶ WINSTA® RD ▶ 774 Series

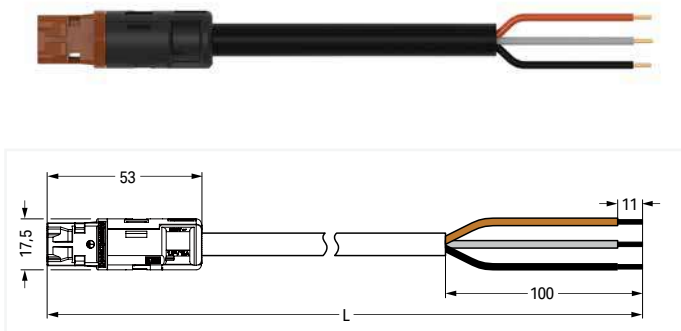
Pole number: 3 ▶ Protection type: IP20 ▶ Fire class per EN 50575: E_{ca} ▶ Coding: S ▶ 1.5 mm² ▶ Marking: 1 2 L ▶ PVC ▶ Sheathed cable diameter: 7.4 ... 9.4 mm ▶ H05VV-F 3x1.5



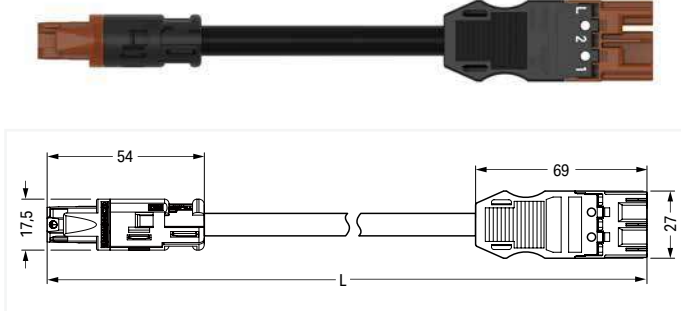
Interconnecting cable ▶ Socket - Plug				
Total length	Connector color / Strain relief color			PU
	brown / black			
1 m	774-9973/006-105			1
2 m	774-9973/006-205			1
3 m	774-9973/006-305			1
4 m	774-9973/006-405			1
5 m	774-9973/006-505			1
6 m	774-9973/006-605			1
7 m	774-9973/006-705			1
8 m	774-9973/006-805			1



Connecting cable ▶ Socket - free end				
Total length	Connector color / Strain relief color			PU
	brown / black			
1 m	774-9973/106-105			1
2 m	774-9973/106-205			1
3 m	774-9973/106-305			1
4 m	774-9973/106-405			1
5 m	774-9973/106-505			1
6 m	774-9973/106-605			1
7 m	774-9973/106-705			1
8 m	774-9973/106-805			1



Connecting cable ▶ Plug - free end				
Total length	Connector color / Strain relief color			PU
	brown / black			
1 m	774-9973/206-105			1
2 m	774-9973/206-205			1
3 m	774-9973/206-305			1
4 m	774-9973/206-405			1
5 m	774-9973/206-505			1
6 m	774-9973/206-605			1
7 m	774-9973/206-705			1
8 m	774-9973/206-805			1



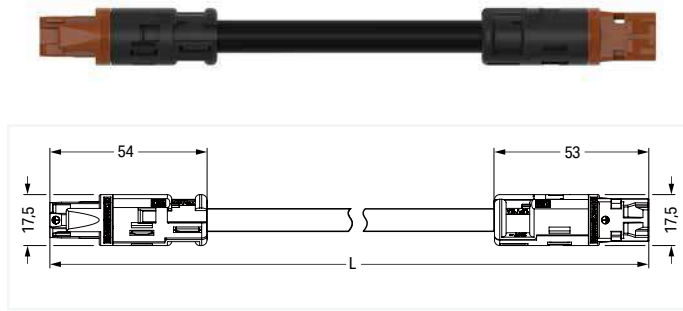
Adapter cable ▶ RD socket - MIDI plug				
Total length	Connector color / Strain relief color			PU
	brown / black			
1 m	774-9973/1506-105			1
2 m	774-9973/1506-205			1
3 m	774-9973/1506-305			1
4 m	774-9973/1506-405			1
5 m	774-9973/1506-505			1
6 m	774-9973/1506-605			1
7 m	774-9973/1506-705			1
8 m	774-9973/1506-805			1

4

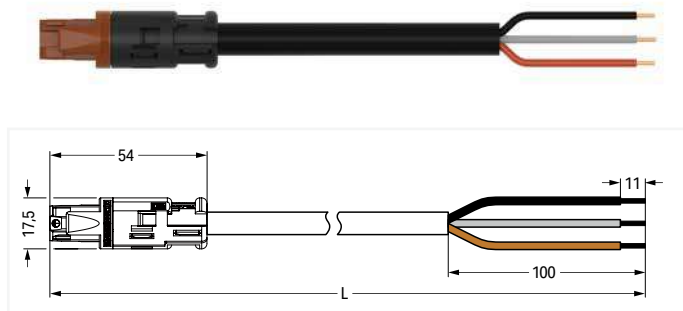
PU = packaging unit; SPU = subpackaging unit; Dimensions in mm

Cable assembly ▶ WINSTA® RD ▶ 774 Series

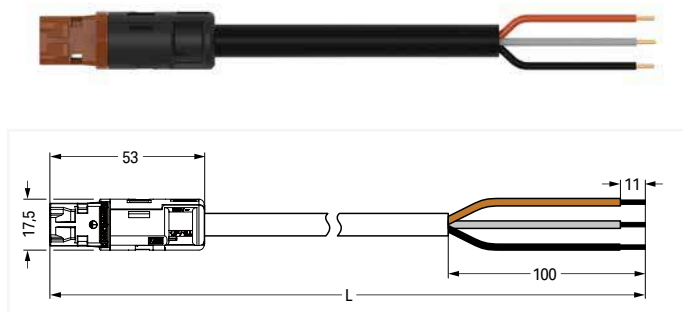
Pole number: 3 ▶ Protection type: IP20 ▶ Fire class per EN 50575: E_{ca} ▶ Coding: S ▶ 1.5 mm² ▶ Marking: 1 2 L ▶ Halogen-free ▶ Sheathed cable diameter: 7.4 ... 9.4 mm ▶ H05Z1Z1-F 3x1.5



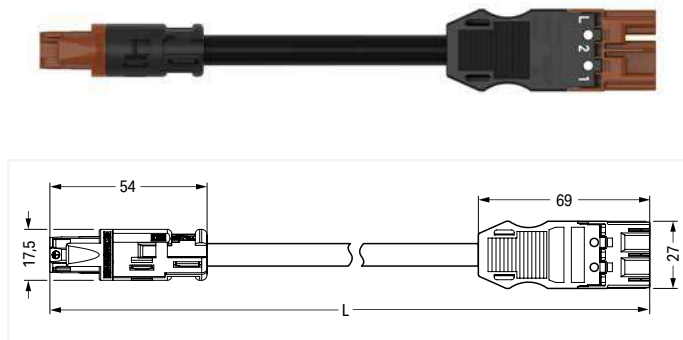
Interconnecting cable ▶ Socket - Plug				
Total length	Connector color / Strain relief color			PU
	brown / black			
1 m	774-9973/016-105			1
2 m	774-9973/016-205			1
3 m	774-9973/016-305			1
4 m	774-9973/016-405			1
5 m	774-9973/016-505			1
6 m	774-9973/016-605			1
7 m	774-9973/016-705			1
8 m	774-9973/016-805			1



Connecting cable ▶ Socket - free end				
Total length	Connector color / Strain relief color			PU
	brown / black			
1 m	774-9973/116-105			1
2 m	774-9973/116-205			1
3 m	774-9973/116-305			1
4 m	774-9973/116-405			1
5 m	774-9973/116-505			1
6 m	774-9973/116-605			1
7 m	774-9973/116-705			1
8 m	774-9973/116-805			1



Connecting cable ▶ Plug - free end				
Total length	Connector color / Strain relief color			PU
	brown / black			
1 m	774-9973/216-105			1
2 m	774-9973/216-205			1
3 m	774-9973/216-305			1
4 m	774-9973/216-405			1
5 m	774-9973/216-505			1
6 m	774-9973/216-605			1
7 m	774-9973/216-705			1
8 m	774-9973/216-805			1



Adapter cable ▶ RD socket - MIDI plug				
Total length	Connector color / Strain relief color			PU
	brown / black			
1 m	774-9973/1516-105			1
2 m	774-9973/1516-205			1
3 m	774-9973/1516-305			1
4 m	774-9973/1516-405			1
5 m	774-9973/1516-505			1
6 m	774-9973/1516-605			1
7 m	774-9973/1516-705			1
8 m	774-9973/1516-805			1

PU = packaging unit; SPU = subpackaging unit; Dimensions in mm

4

Cable assembly ▶ WINSTA® RD ▶ 774 Series

Pole number: 4 ▶ Protection type: IP20 ▶ Coding: A ▶ 1.5 mm² ▶ Marking: N ⊕ 2 1 ▶ Sheathed cable diameter: 8.4 ... 10.5 mm ▶ Fire class per EN 50575: E_{ca}



- For round conduits and ducts
- 3- and 4-pole pre-assembled cables with 17.5 mm (0.0689 inch) outer diameter for easy plug & play
- Plug-in integration into the electrical installations of hollow-wall boxes via adapter, for example

Electrical data			
Coding	A		
Ratings per	IEC/EN 60664-1		
Overvoltage category	III	III	II
Pollution degree	3	2	2
Nominal voltage	250 V	-	-
Rated surge voltage	4 kV	-	-
Rated current	16 A	-	-
Material Data			
Insulation material	Polyamide (PA66)		
Contact material	Copper or copper alloy; surface-treated		
Contact plating	Tin		
Fire class per EN 50575	E _{ca}		
Mechanical Data			
Number of mating cycles	200, without resistive load		
Mating force of a plug-in connection	Approx. 30 ... 70 N (depending on pole number)		
Unmating force of a plug-in connection	Unlocked: approx. 30 ... 70 N (depending on pole number)		
Retention force of a plug-in connection	when locked: > 80N		
Protection type	IP20		
Note on protection type	When mated: IP2xC (These compact connectors are not designed for use in open, easily accessible areas!)		
Environmental requirements			
Processing temperature	-5 ... +40 °C		
Continuous operating temperature	-35 ... +85 °C		
Note on continuous operating temperature	Cable for temperatures ≤ 70 °C (including halogen-free) Insulating parts for temperatures ≤ 105 °C		

Cables with a different fire class can be found in the eShop.

All WINSTA® components are 100% protected against mismatching when:

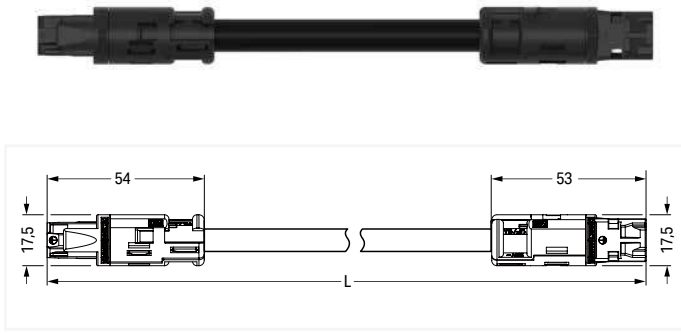
- plugging different numbers of poles
- plugging while incorrectly rotated
- plugging while laterally staggered

See technical section for further information

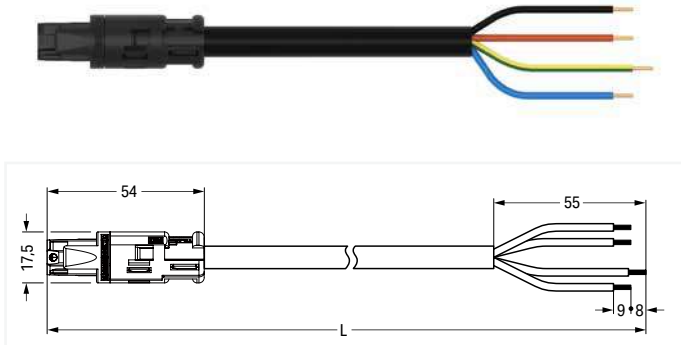
Approvals and corresponding ratings, visit www.wago.com

Cable assembly ▶ WINSTA® RD ▶ 774 Series

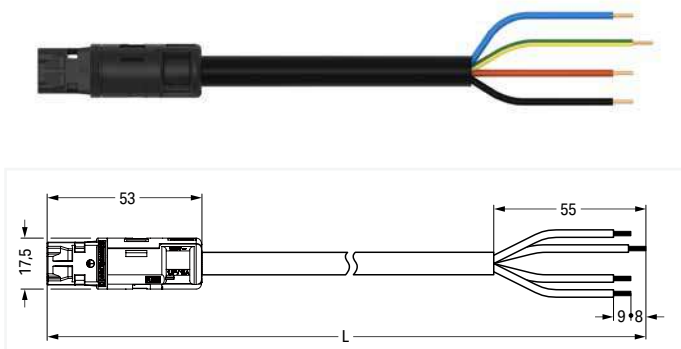
Pole number: 4 ▶ Protection type: IP20 ▶ Coding: A ▶ 1.5 mm² ▶ Marking: N ⊕ 2 1 ▶ Sheathed cable diameter: 8.4 ... 10.5 mm ▶ Fire class per EN 50575: E_{ca} ▶ PVC ▶ H05VV-F 4G1.5



Interconnecting cable ▶ Socket - Plug			
Total length	Connector color / Strain relief color		PU
	black / black	white / white	
1 m	774-9994/006-101	774-9994/006-102	1
2 m	774-9994/006-201	774-9994/006-202	1
3 m	774-9994/006-301	774-9994/006-302	1
4 m	774-9994/006-401	774-9994/006-402	1
5 m	774-9994/006-501	774-9994/006-502	1
6 m	774-9994/006-601	774-9994/006-602	1
7 m	774-9994/006-701	774-9994/006-702	1
8 m	774-9994/006-801	774-9994/006-802	1



Connecting cable ▶ Socket - free end			
Total length	Connector color / Strain relief color		PU
	black / black	white / white	
1 m	774-9994/106-101	774-9994/106-102	1
2 m	774-9994/106-201	774-9994/106-202	1
3 m	774-9994/106-301	774-9994/106-302	1
4 m	774-9994/106-401	774-9994/106-402	1
5 m	774-9994/106-501	774-9994/106-502	1
6 m	774-9994/106-601	774-9994/106-602	1
7 m	774-9994/106-701	774-9994/106-702	1
8 m	774-9994/106-801	774-9994/106-802	1

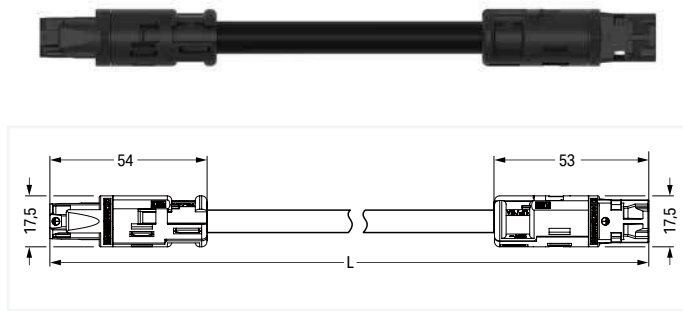


Connecting cable ▶ Plug - free end			
Total length	Connector color / Strain relief color		PU
	black / black	white / white	
1 m	774-9994/206-101	774-9994/206-102	1
2 m	774-9994/206-201	774-9994/206-202	1
3 m	774-9994/206-301	774-9994/206-302	1
4 m	774-9994/206-401	774-9994/206-402	1
5 m	774-9994/206-501	774-9994/206-502	1
6 m	774-9994/206-601	774-9994/206-602	1
7 m	774-9994/206-701	774-9994/206-702	1
8 m	774-9994/206-801	774-9994/206-802	1

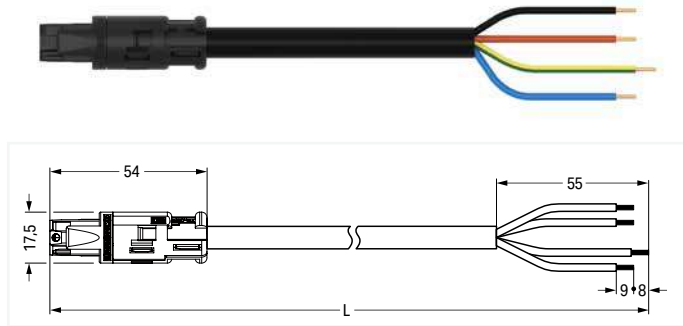
PU = packaging unit; SPU = subpackaging unit; Dimensions in mm

Cable assembly ▶ WINSTA® RD ▶ 774 Series

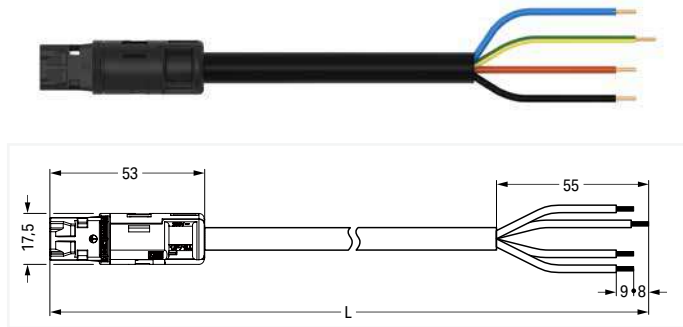
Pole number: 4 ▶ Protection type: IP20 ▶ Coding: A ▶ 1.5 mm² ▶ Marking: N ⊕ 2 1 ▶ Sheathed cable diameter: 8.4 ... 10.5 mm ▶ Fire class per EN 50575: E_{ca} ▶ Halogen-free ▶ H05Z1Z1-F 4G1.5



Interconnecting cable ▶ Socket - Plug			
Total length	Connector color / Strain relief color		PU
	black / black	white / white	
1 m	774-9994/016-101	774-9994/016-102	1
2 m	774-9994/016-201	774-9994/016-202	1
3 m	774-9994/016-301	774-9994/016-302	1
4 m	774-9994/016-401	774-9994/016-402	1
5 m	774-9994/016-501	774-9994/016-502	1
6 m	774-9994/016-601	774-9994/016-602	1
7 m	774-9994/016-701	774-9994/016-702	1
8 m	774-9994/016-801	774-9994/016-802	1



Connecting cable ▶ Socket - free end			
Total length	Connector color / Strain relief color		PU
	black / black	white / white	
1 m	774-9994/116-101	774-9994/116-102	1
2 m	774-9994/116-201	774-9994/116-202	1
3 m	774-9994/116-301	774-9994/116-302	1
4 m	774-9994/116-401	774-9994/116-402	1
5 m	774-9994/116-501	774-9994/116-502	1
6 m	774-9994/116-601	774-9994/116-602	1
7 m	774-9994/116-701	774-9994/116-702	1
8 m	774-9994/116-801	774-9994/116-802	1



Connecting cable ▶ Plug - free end			
Total length	Connector color / Strain relief color		PU
	black / black	white / white	
1 m	774-9994/216-101	774-9994/216-102	1
2 m	774-9994/216-201	774-9994/216-202	1
3 m	774-9994/216-301	774-9994/216-302	1
4 m	774-9994/216-401	774-9994/216-402	1
5 m	774-9994/216-501	774-9994/216-502	1
6 m	774-9994/216-601	774-9994/216-602	1
7 m	774-9994/216-701	774-9994/216-702	1
8 m	774-9994/216-801	774-9994/216-802	1

4

PU = packaging unit; SPU = subpackaging unit; Dimensions in mm

4



WAGO Pluggable Connection System
WINSTA® KNX

WAGO Pluggable Connection System WINSTA® KNX ▶ 893, 894 Series

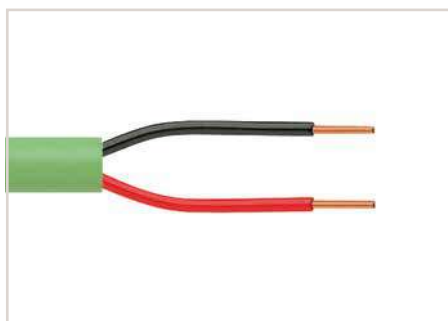
Ø 0.8 mm / 3 A

- Note:
- Installation connectors are designed for connection and disconnection while not under load.
 - There is no hazard-inducing interchangeability with systems based on IEC 60309, IEC 60320, IEC 60906 and with national connector and socket systems.
 - Installation connector systems are not a substitute for residential connector/socket systems.
 - WINSTA® KNX Connectors are not intended for installation in open or easily accessible areas.

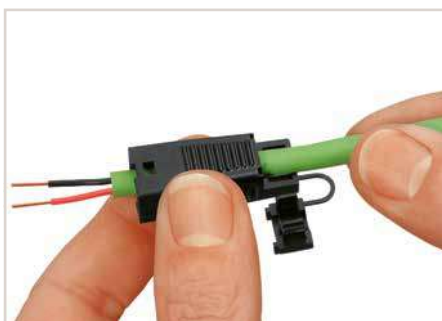
	Page
	298
	300
	302
	304

WINSTA® KNX ▶ 893, 894 Series

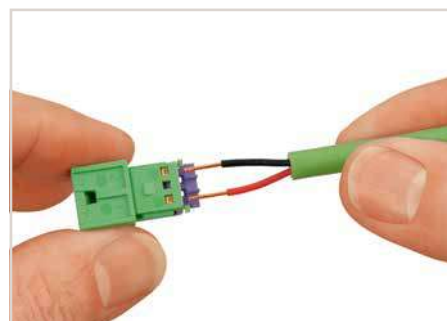
Description and Installation



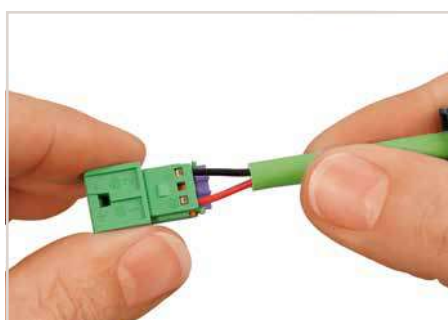
1. Strip length, outer insulation = 23 mm
2. Strip length = 9 mm



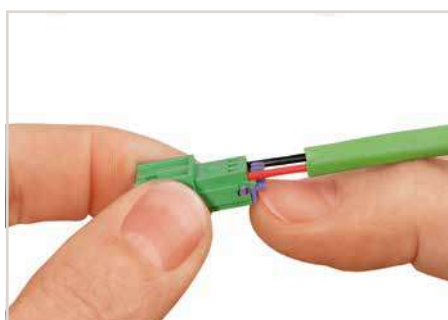
Prior to termination, pull the strain relief housing over the cable.



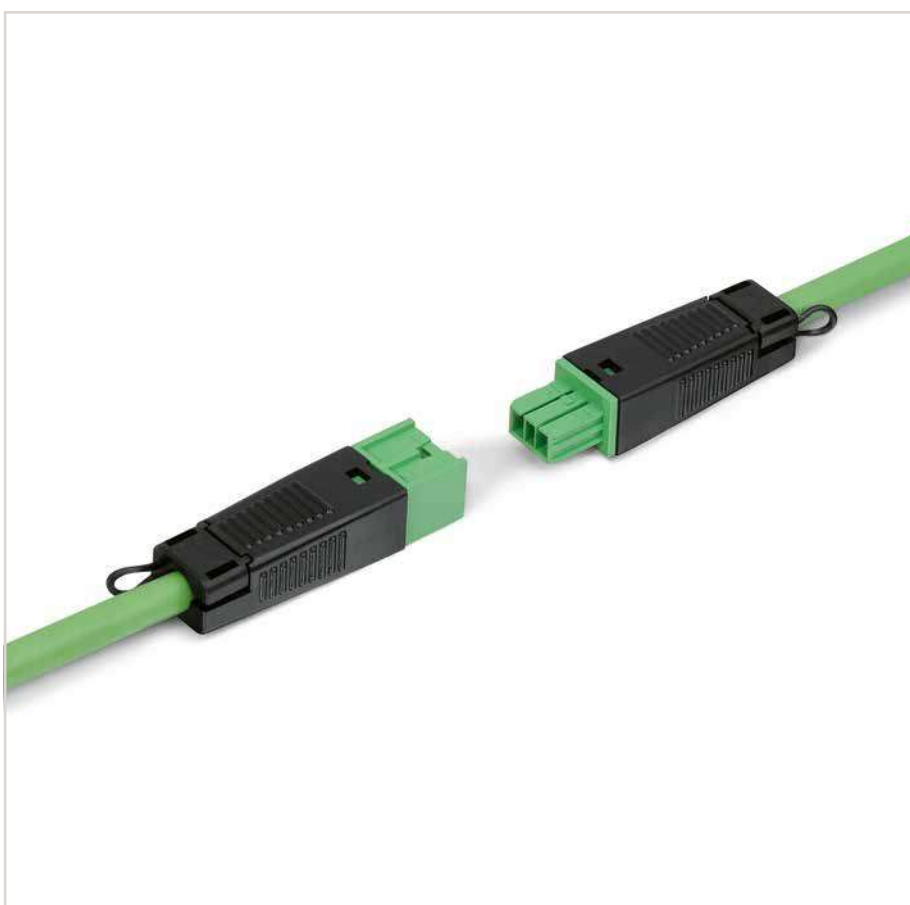
Insert stripped conductors directly into the conductor entries.



Push conductors until they hit backstop.



To disconnect, open clamping unit using the actuator and pull out the conductor.



Snap wired connector into the strain relief housing.



Press strain relief firmly on the cable.



Pre-assembled KNX connector

5

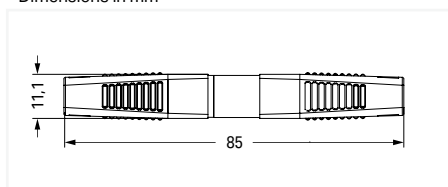
Pluggable connectors ▶ WINSTA® KNX ▶ 893 Series

Pole number: 2



- For low voltages up to 50 V
- Compact size, standardized interface
- Available in two different custom coding options with protection against mismatching

Dimensions in mm



Electrical data			
Coding	E; F		
Ratings per	IEC/EN 60664-1		
Overvoltage category	III	III	II
Pollution degree	3	2	2
Nominal voltage	50 V	-	-
Rated surge voltage	0.8 kV	-	-
Rated current	3 A	-	-
Connection data			
Connection technology	PUSH WIRE®		
Strip length	9 mm / 0.35 inches		
Conductor diameter	0.8 mm		
Material Data			
Insulation material	Polyamide (PA66)		
Flammability class per UL94	V0		
Clamping spring material	Chrome-nickel spring steel (CrNi)		
Contact material	Copper alloy; surface-treated		
Contact plating	Tin		
Mechanical Data			
Number of mating cycles	200		
Mating force of a plug-in connection	Approx. 10 ... 15 N		
Unmating force of a plug-in connection	Unlocked: approx. 15 ... 20 N		
Retention force of a plug-in connection	Locked: > 80 N		
Protection type	IP20		
Note on protection type	Only when mated and secured with a strain relief housing (These compact connectors are not designed for use in open, easily accessible areas.)		
Environmental requirements			
Processing temperature	-5 ... +40 °C		
Continuous operating temperature	-35 ... +85 °C		
Note on continuous operating temperature	Insulating parts for temperatures ≤ 105 °C		

All WINSTA® components are 100% protected against mismatching when:

- a.) plugging different numbers of poles
- b.) plugging while rotated 180
- c.) plugging while laterally staggered
- d.) plugging one pole

See technical section for further information

Approvals and corresponding ratings, visit www.wago.com

Pluggable connectors ▶ WINSTA® KNX ▶ 893 Series

Pole number: 2

Female connector/socket



Male connector/plug



893-1002

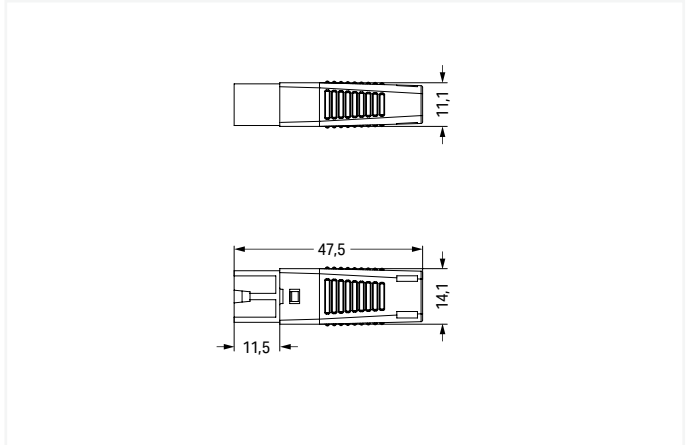
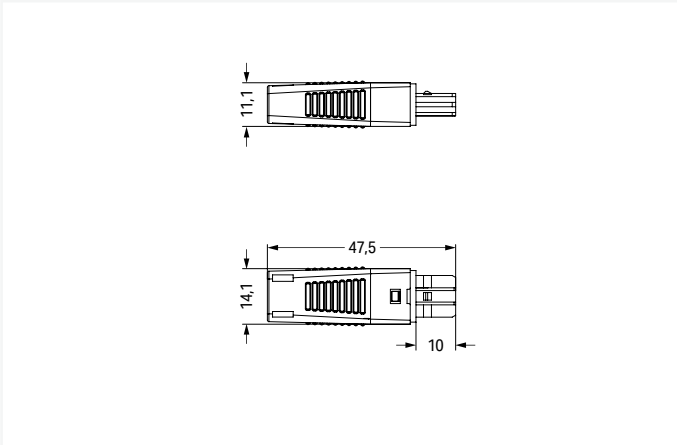
Coding:E				
Color	Coding	Marking	Item no.	PU
● green	E	1+ 2-	893-1002	50

Coding:F				
Color	Coding	Marking	Item no.	PU
○ light gray	F	1+ 2-	893-1022	50

893-1012

Coding:E				
Color	Coding	Marking	Item no.	PU
● green	E	1+ 2-	893-1012	50

Coding:F				
Color	Coding	Marking	Item no.	PU
○ light gray	F	1+ 2-	893-1032	50



5

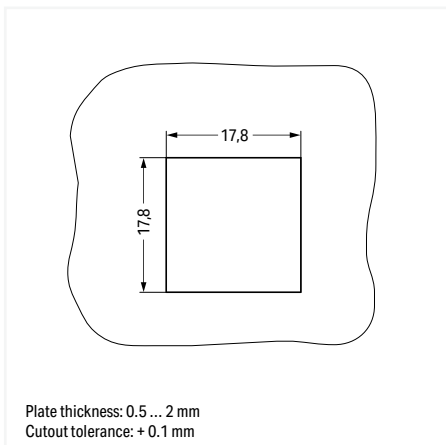
PU = packaging unit; SPU = subpackaging unit; Dimensions in mm

Snap-in device connector ▶ WINSTA® KNX ▶ 893 Series

Pole number: 2



- For low voltages up to 50 V
- Compact size, standardized interface
- Available in two different custom coding options with protection against mismatching



Electrical data			
Coding	E; F		
Ratings per	IEC/EN 60664-1		
Overvoltage category	III	III	II
Pollution degree	3	2	2
Nominal voltage	50 V	-	-
Rated surge voltage	0.8 kV	-	-
Rated current	3 A	-	-
Connection data			
Connection technology	PUSH WIRE®		
Strip length	9 mm / 0.35 inches		
Conductor diameter	0.8 mm		
Material Data			
Insulation material	Polyamide (PA66)		
Flammability class per UL94	V0		
Clamping spring material	Chrome-nickel spring steel (CrNi)		
Contact material	Copper alloy; surface-treated		
Contact plating	Tin		
Mechanical Data			
Number of mating cycles	200		
Mating force of a plug-in connection	Approx. 10 ... 15 N		
Unmating force of a plug-in connection	Unlocked: approx. 15 ... 20 N		
Retention force of a plug-in connection	Locked: > 80 N		
Protection type	IP20		
Note on protection type	Only when mated and secured with a strain relief housing (These compact connectors are not designed for use in open, easily accessible areas.)		
Environmental requirements			
Processing temperature	-5 ... +40 °C		
Continuous operating temperature	-35 ... +85 °C		
Note on continuous operating temperature	Insulating parts for temperatures ≤ 105 °C		

All WINSTA® components are 100% protected against mismatching when:

- a.) plugging different numbers of poles
- b.) plugging while rotated 180
- c.) plugging while laterally staggered
- d.) plugging one pole

See technical section for further information

Approvals and corresponding ratings, visit www.wago.com

Snap-in device connector ▶ WINSTA® KNX ▶ 893 Series

Pole number: 2

Female connector/socket

Male connector/plug



893-2002

893-2012

Coding:E

Color	Coding	Marking	Item no.	PU
● green	E	1+ 2-	893-2002	50

Coding:F

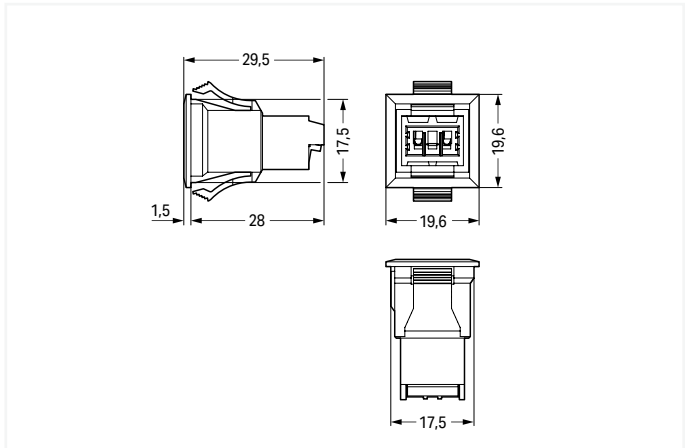
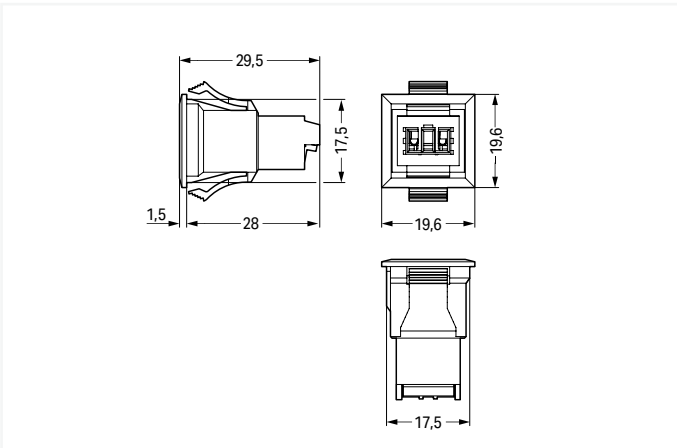
Color	Coding	Marking	Item no.	PU
○ light gray	F	1+ 2-	893-2022	50

Coding:E

Color	Coding	Marking	Item no.	PU
● green	E	1+ 2-	893-2012	50

Coding:F

Color	Coding	Marking	Item no.	PU
○ light gray	F	1+ 2-	893-2032	50



5

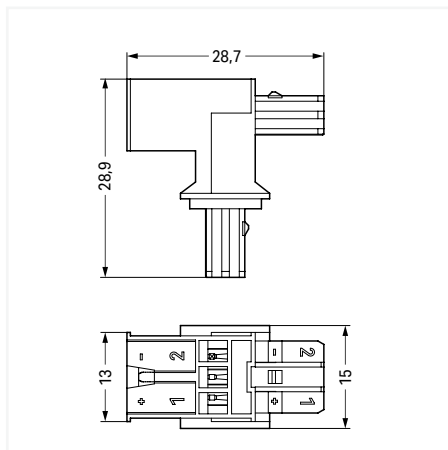
PU = packaging unit; SPU = subpackaging unit; Dimensions in mm

Distribution connector ▶ WINSTA® KNX ▶ 893 Series

Pole number: 2 ▶ T-distribution connector ▶ Number of locking levers: 2



- For low voltages up to 50 V
- Compact size, standardized interface
- Available in two different custom coding options with protection against mismatching



Electrical data			
Coding	E; F		
Ratings per	IEC/EN 60664-1		
Overvoltage category	III	III	II
Pollution degree	3	2	2
Nominal voltage	50 V	-	-
Rated surge voltage	0.8 kV	-	-
Rated current	3 A	-	-
Material Data			
Insulation material	Polyamide (PA66)		
Flammability class per UL94	V0		
Contact material	Copper alloy; surface-treated		
Contact plating	Tin		
Mechanical Data			
Number of mating cycles	200		
Mating force of a plug-in connection	Approx. 10 ... 15 N		
Unmating force of a plug-in connection	Unlocked: approx. 15 ... 20 N		
Retention force of a plug-in connection	When locked: > 80 N		
Protection type	IP20		
Note on protection type	Only when mated and secured with a strain relief housing (These compact connectors are not designed for use in open, easily accessible areas.)		
Environmental requirements			
Processing temperature	-5 ... +40 °C		
Continuous operating temperature	-35 ... +85 °C		
Note on continuous operating temperature	Insulating parts for temperatures ≤ 105 °C		

All WINSTA® components are 100% protected against mismatching when:

- plugging different numbers of poles
- plugging while rotated 180
- plugging while laterally staggered
- plugging one pole

All connectors for mounted installations (snap-in versions for lighting fixtures or devices, all types of PCB and distribution connectors) are factory-equipped with locking levers to ensure plugs and sockets are securely locked. Additional locking levers are only required for flying leads (plug/socket).

See technical section for further information

Approvals and corresponding ratings, visit www.wago.com

Distribution connector ▶ WINSTA® KNX ▶ 893 Series

Pole number: 2 ▶ T-distribution connector ▶ Number of locking levers: 2



893-1606

893-1656

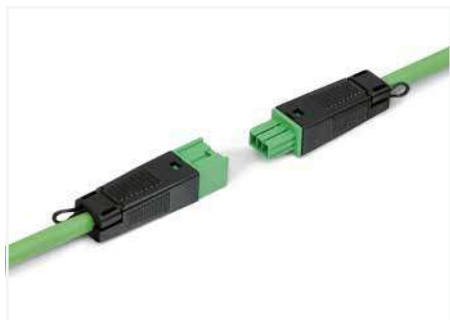
Color	Coding	Marking	Item no.	PU
● green	E	1+ 2-	893-1606	25

Color	Coding	Marking	Item no.	PU
○ light gray	F	1+ 2-	893-1656	25

PU = packaging unit; SPU = subpackaging unit; Dimensions in mm

Cable assembly ▶ WINSTA® KNX ▶ 894 Series

Pole number: 2 ▶ Marking: 1+ 2-



- For low voltages up to 50 V
- Compact size, standardized interface
- Available in two different custom coding options with protection against mismatching

Electrical data			
Coding	E; F		
Ratings per	IEC/EN 60664-1		
Overvoltage category	III	III	II
Pollution degree	3	2	2
Nominal voltage	50 V	-	-
Rated surge voltage	0.8 kV	-	-
Rated current	3 A	-	-
Connection data			
Conductor diameter	0.8 mm		
Material Data			
Insulation material	Polyamide (PA66)		
Contact material	Copper alloy; surface-treated		
Contact plating	Tin		
Mechanical Data			
Number of mating cycles	200		
Mating force of a plug-in connection	Approx. 10 ... 15 N		
Unmating force of a plug-in connection	Unlocked: approx. 15 ... 20 N		
Retention force of a plug-in connection	when locked: > 80N		
Protection type	IP20		
Note on protection type	Only when mated and secured with a strain relief housing (These compact connectors are not designed for use in open, easily accessible areas.)		
Environmental requirements			
Processing temperature	-5 ... +40 °C		
Continuous operating temperature	-35 ... +85 °C		
Note on continuous operating temperature	Cable for temperatures ≤ 70 °C (including halogen-free) Insulating parts for temperatures ≤ 105 °C		

Cables with a different fire class can be found in the eShop.

All WINSTA® components are 100% protected against mismatching when:

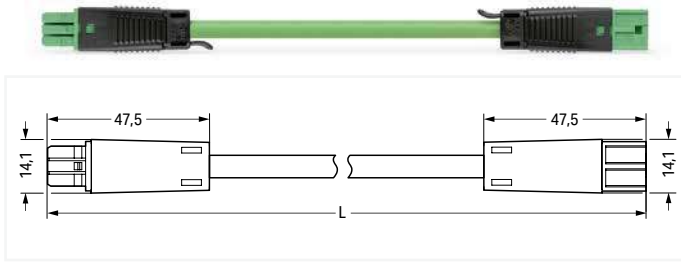
- plugging different numbers of poles
- plugging while rotated 180
- plugging while laterally staggered
- plugging one pole

See technical section for further information

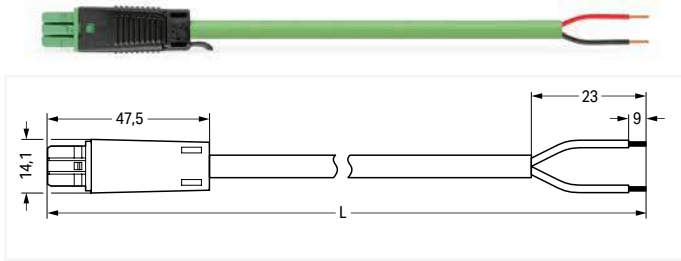
Approvals and corresponding ratings, visit www.wago.com

Cable assembly ▶ WINSTA® KNX ▶ 894 Series

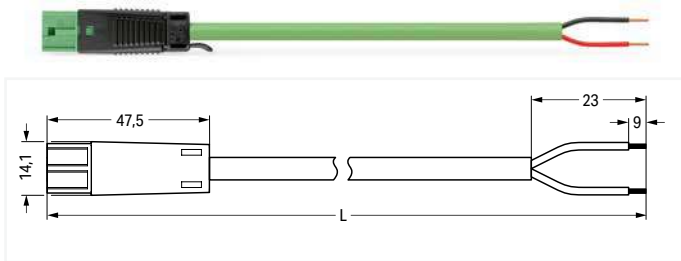
Pole number: 2 ▶ Marking: 1+ 2- ▶ Coding: E ▶ PVC ▶ UNITRONIC BUS EIB 2x2x0.8 ▶ Fire class per EN 50575: E_{ca}



Interconnecting cable ▶ Connection type Socket - Plug				
Total length	Connector color / Strain relief color			PU
	green / black			
1 m	894-8992/033-106			1
3 m	894-8992/033-306			1
5 m	894-8992/033-506			1



Connecting cable ▶ Connection type Socket - free end				
Total length	Connector color / Strain relief color			PU
	green / black			
1 m	894-8992/133-106			1
3 m	894-8992/133-306			1
5 m	894-8992/133-506			1

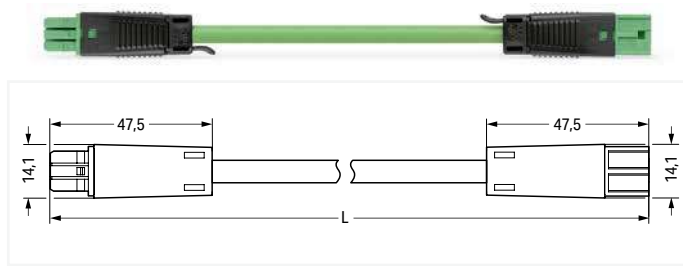


Connecting cable ▶ Connection type Plug - free end				
Total length	Connector color / Strain relief color			PU
	green / black			
1 m	894-8992/233-106			1
3 m	894-8992/233-306			1
5 m	894-8992/233-506			1

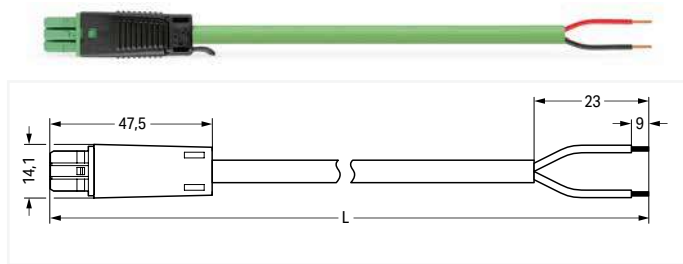
PU = packaging unit; SPU = subpackaging unit; Dimensions in mm

Cable assembly ▶ WINSTA® KNX ▶ 894 Series

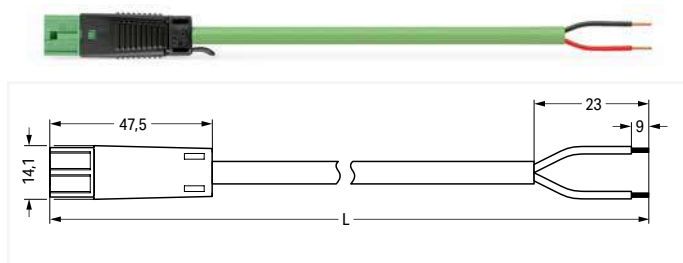
Pole number: 2 ▶ Marking: 1+ 2- ▶ Coding: E ▶ Halogen-free ▶ Y-H(St)Hh 1x2x0.8 ▶ Fire class per EN 50575: C_{ca}



Interconnecting cable ▶ Connection type Socket - Plug			
Total length	Connector color / Strain relief color		PU
	green / black		
1 m	894-8392/073-106		1
3 m	894-8392/073-306		1
5 m	894-8392/073-506		1



Connecting cable ▶ Connection type Socket - free end			
Total length	Connector color / Strain relief color		PU
	green / black		
1 m	894-8392/173-106		1
3 m	894-8392/173-306		1
5 m	894-8392/173-506		1



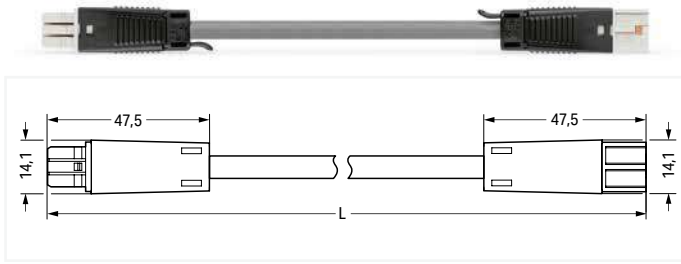
Connecting cable ▶ Connection type Plug - free end			
Total length	Connector color / Strain relief color		PU
	green / black		
1 m	894-8392/273-106		1
3 m	894-8392/273-306		1
5 m	894-8392/273-506		1

5

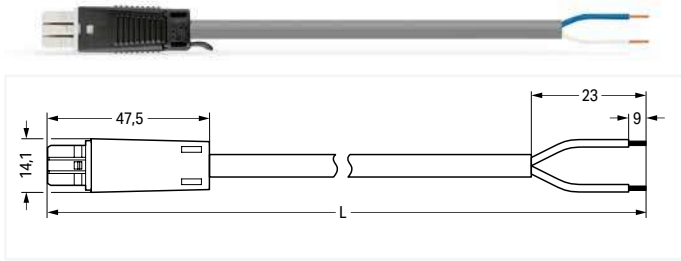
PU = packaging unit; SPU = subpackaging unit; Dimensions in mm

Cable assembly ▶ WINSTA® KNX ▶ 894 Series

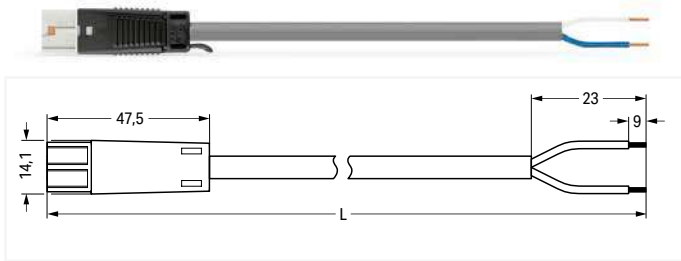
Pole number: 2 ▶ Marking: 1+ 2- ▶ Coding: F ▶ Halogen-free ▶ J-Y(ST)Y...LG 1x2x0.8 ▶ Fire class per EN 50575: D_{ca}



Interconnecting cable ▶ Connection type Socket - Plug				
Total length	Connector color / Strain relief color			PU
	light gray / black			
1 m	894-8992/023-107			1
3 m	894-8992/023-307			1
5 m	894-8992/023-507			1

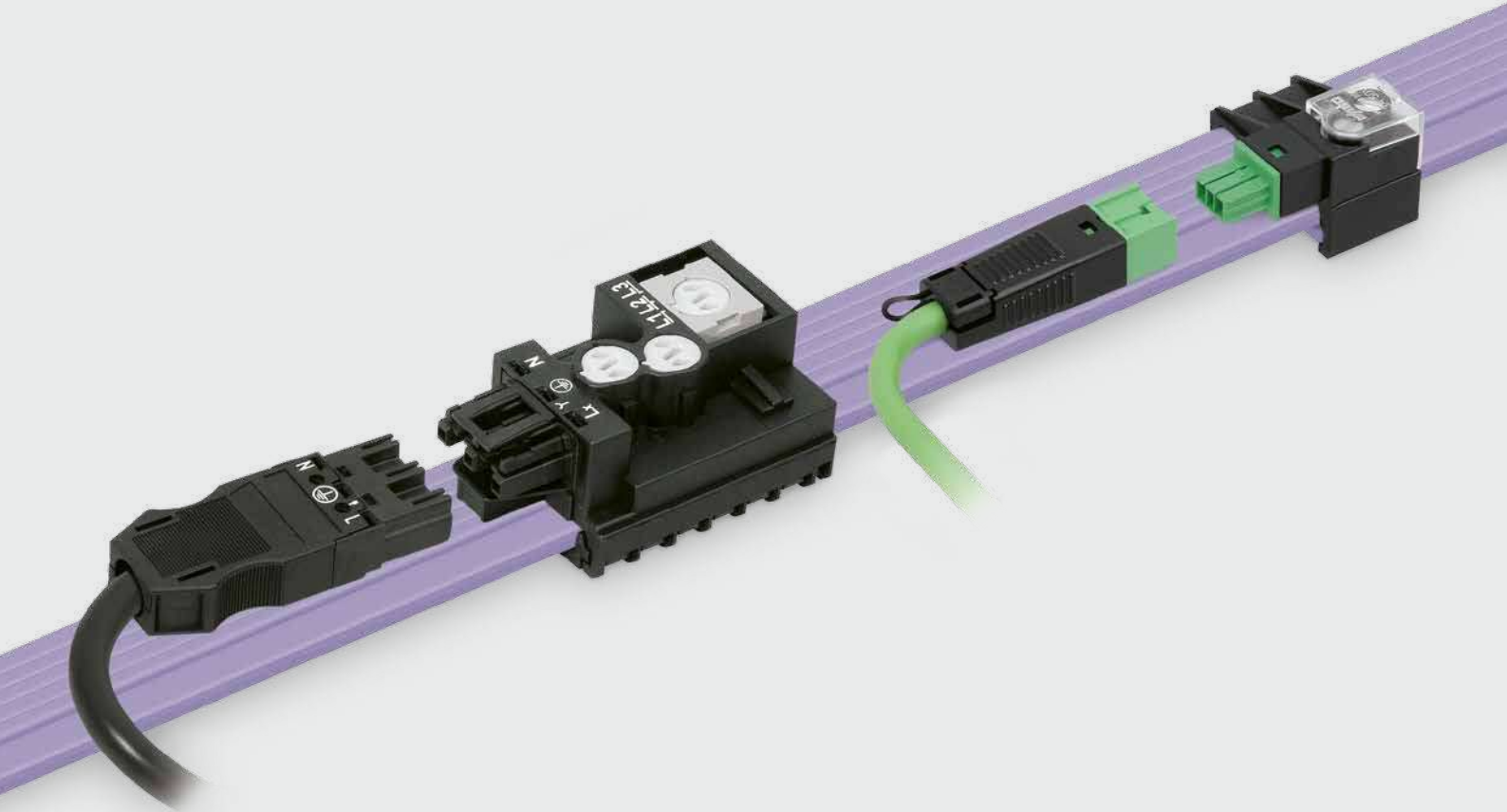


Connecting cable ▶ Connection type Socket - free end				
Total length	Connector color / Strain relief color			PU
	light gray / black			
1 m	894-8992/123-107			1
3 m	894-8992/123-307			1
5 m	894-8992/123-507			1



Connecting cable ▶ Connection type Plug - free end				
Total length	Connector color / Strain relief color			PU
	light gray / black			
1 m	894-8992/223-107			1
3 m	894-8992/223-307			1
5 m	894-8992/223-507			1

PU = packaging unit; SPU = subpackaging unit; Dimensions in mm



WAGO Pluggable Connection System

WINSTA® IDC

Important note:

The *WINSTA*® IDC system consists of the flat cables and the appropriate *WINSTA*® connection components that are described in this catalog and marked with "Woertz."

WAGO warrants the fault-free function of the *WINSTA*® IDC system only where original components are utilized.

Notice:

Only use identically coded supply and tap-off modules on the same cable!

- A- and P-coding (N ⊕ L1 L2 L3) are designed for a 400 V three-phase current cable configuration.
- I-coding (N ⊕ L DA- DA+) is designed for up to 230 V and dimming cable configurations.
- B-coding (N ⊕ L1 L2 L3) is designed for custom cable configurations.

Only modules with the same pole marking shall be used within an application.

WAGO Pluggable Connection System WINSTA® IDC ▶ 772, 893, 895, 896 Series for Flat Cables up to 16 mm²

- Note:
- Installation connectors are designed for connection and disconnection while not under load.
 - There is no hazard-inducing interchangeability with systems based on IEC 60309, IEC 60320, IEC 60906 and with national connector and socket systems.
 - Installation connector systems are not a substitute for residential connector/socket systems.
 - WINSTA® IDC Connectors are not intended for installation in open or easily accessible areas.

	Page
	IDC Modules for Flat Cables 5 x 2.5 mm ² / 5 x 4 mm ² / 5 x 2.5 mm ² + 2 x 1.5 mm ² ; 772 Series Supply Modules 313 Tap-Off Modules, WINSTA® Connectors 313
	IDC Modules for Flat Cables 5 x 2.5 mm ² + 2 x 1.5 mm ² ; 893 Series Supply Modules (KNX and Special Coding) 317 Tap-Off Modules (KNX and Special Coding) 318
	IDC Modules for Flat Cables 2 x 1.5 mm ² ; 893 Series Supply Modules (KNX and Special Coding) 321 Tap-Off Modules (KNX and Special Coding) 322
	IDC Modules for Flat Cables 3 x 2.5 mm ² ; 896 Series Supply Modules 325 Tap-Off Modules 326
	POWERBLOCK 10 for Flat Cable 5 x 10 mm ² ; 895 Series Supply Modules 329 Tap-Off Modules 330
	POWERBLOCK 16 for Flat Cable 5 x 16 mm ² ; 895 Series Supply Modules 333 Tap-Off Modules 334

WINSTA® IDC ▶ 772 Series Installation



Insert flat cable into base (observe coding!).



Mount IDC module flush with the base.
Should the IDC module jam during mounting, turn the upper part by 180° and remount it.



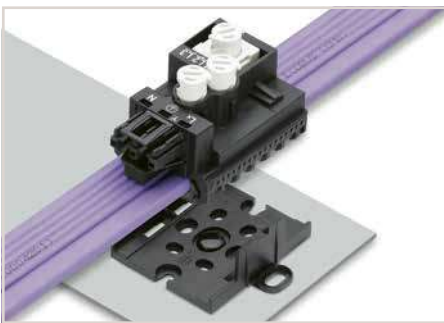
Screw down contact elements until element stops.



The mounting plate can be centrally mounted, or attached via outboard attachment points using 770-601 Mounting Pins.



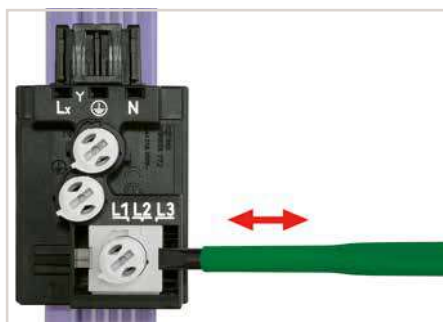
6



Snapping a supply or tap-off module onto a mounting plate.



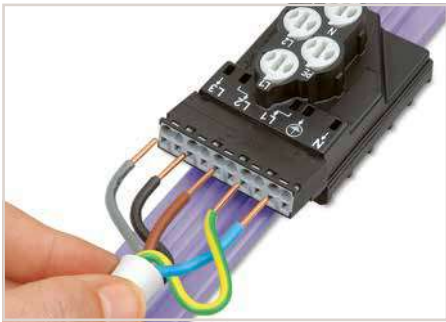
The phase selector is in position L2 (center) when delivered.



Move the phase selector into position L1 or L3 if required.



After connecting the flat cable, the IDC module is locked and can no longer be moved, even after unscrewing the contact element.



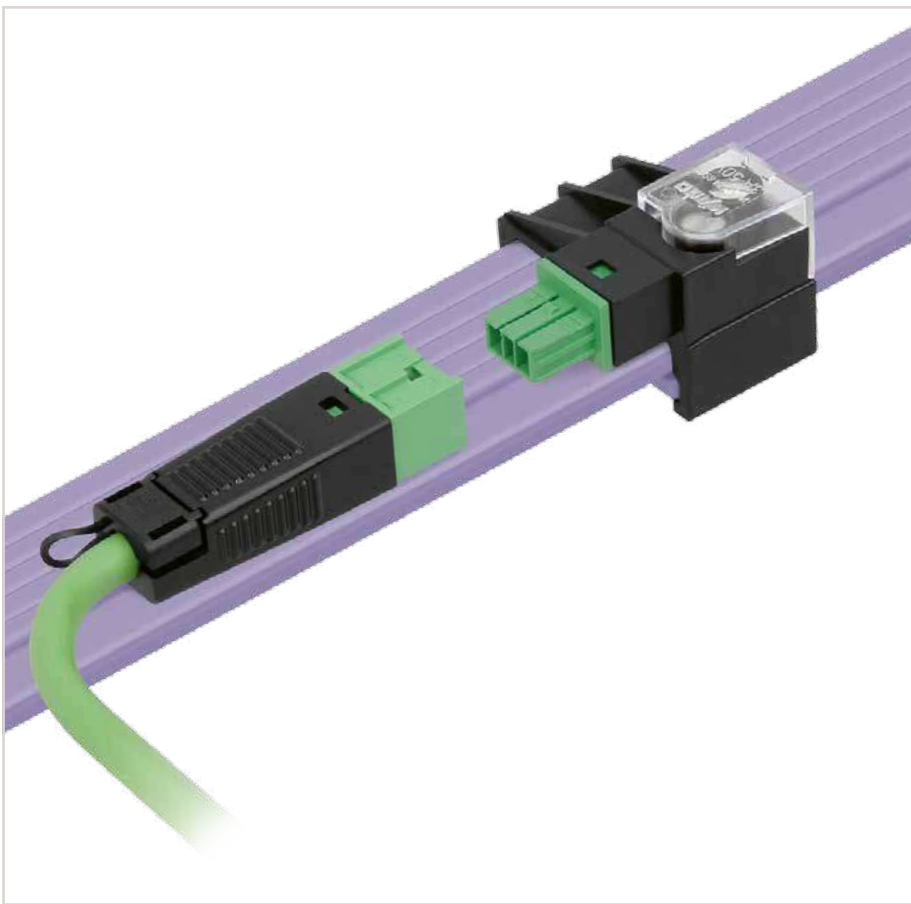
Connecting an installation cable to the supply module: Simply push stripped, solid conductors into unit. Open clamp via screwdriver to insert stripped, fine-stranded conductors.



Secure supply cable via strain relief housing.



Tighten strain relief screw using a screwdriver.



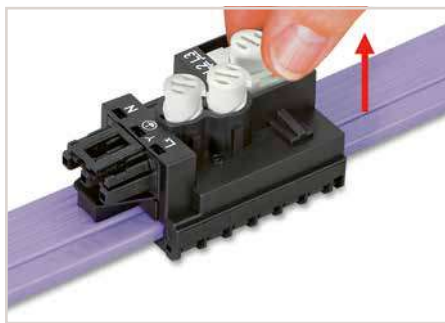
Tighten the screws to connect the flat cable. Observe 1 Nm of tightening torque!



Snap the transparent protective cover onto the module.



Notice: Should it be necessary to tap another phase, this must be done in a different location. To do so, the contact elements must be unscrewed and brought back to their original position.



Lift contact element to unlock phase selector and select the new phase. Notice: Do not reuse in the same location of the flat cable.



Use insulating tape to seal the contact holes in the flat cable after removing a module.

6

Supply/tap-off module ► WINSTA® IDC ► 772 Series

for flat cable 5 x 2.5 mm², 5 x 4 mm², 5 x 2.5 mm² + 2 x 1.5 mm²



- Suitable for bus and power lines or for bus and power combined in one cable
- Easy installation without cable interruption thanks to convenient insulation displacement connection (IDC) technology
- WINSTA® IDC Supply and Tap-Off Modules allow connection at any point along the flat cable – one rotation per pole is all that is required

Electrical data			
Ratings per	IEC/EN 60664-1		
Overvoltage category	III	III	II
Pollution degree	3	2	2
Nominal voltage	400 V	-	-
Rated surge voltage	6 kV	-	-
Rated current	25 A	-	-
Material Data			
Insulation material	Polyamide (PA66)		
Flammability class per UL94	V0		
Contact material	Copper or copper alloy; surface-treated		
Contact plating	Tin		
Mechanical Data			
Retention force of a plug-in connection	When locked: > 80 N		
Protection type	IP20		
Note on protection type	When mated: IP2xC (These compact connectors are not designed for use in open, easily accessible areas!)		
Environmental requirements			
Processing temperature	-5 ... +40 °C		
Continuous operating temperature	-35 ... +85 °C		
Note on continuous operating temperature	Cable for temperatures ≤ 70 °C (including halogen-free) Flat cable for temperatures -15 °C to ≤ 70 °C (including halogen-free) Insulating parts for temperatures ≤ 105 °C		

All WINSTA® components are 100% protected against mismatching when:

- plugging different numbers of poles
- plugging while rotated 180
- plugging while laterally staggered
- plugging one pole

Cables and connectors Page 390

Tool Page 392

See technical section for further information

Approvals and corresponding ratings, visit www.wago.com

Supply/tap-off module ▶ WINSTA® IDC ▶ 772 Series for flat cable 5 x 2.5 mm², 5 x 4 mm², 5 x 2.5 mm² + 2 x 1.5 mm²

Supply module ▶ Pole number: 5



772-261

General mains applications

Color	Coding	Marking	Item no.	PU
● black	A	N ⊕ L1 L2 L3	772-261	10

Control technology

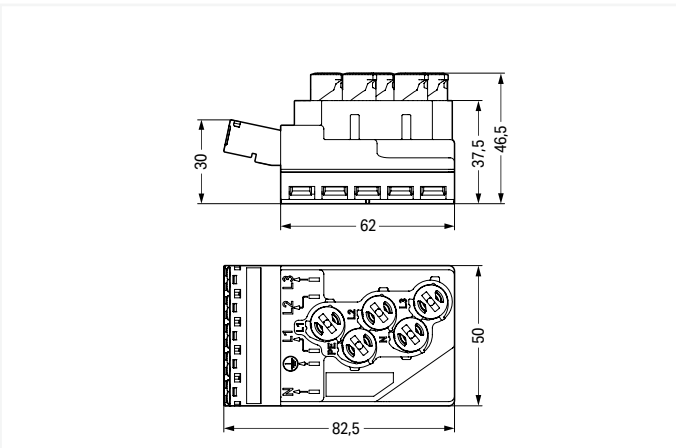
Color	Coding	Marking	Item no.	PU
○ gray	B	N ⊕ L1 L2 L3	772-264/060-000	10

DALI, Lighting Management

Color	Coding	Marking	Item no.	PU
● blue	I	N ⊕ L DA- DA+	772-271	10

EDV (UPS)

Color	Coding	Marking	Item no.	PU
● red	P	N ⊕ L1 L2 L3	772-267	10



Accessories; for all products on this page



Mounting plate;

Color	Item no.	PU
● black	772-260	10

PU = packaging unit; SPU = subpackaging unit; Dimensions in mm

Supply/tap-off module ► WINSTA® IDC ► 772 Series for flat cable 5 x 2.5 mm², 5 x 4 mm², 5 x 2.5 mm² + 2 x 1.5 mm²

Tap-off module

Pole number: 3

Pole number: 5



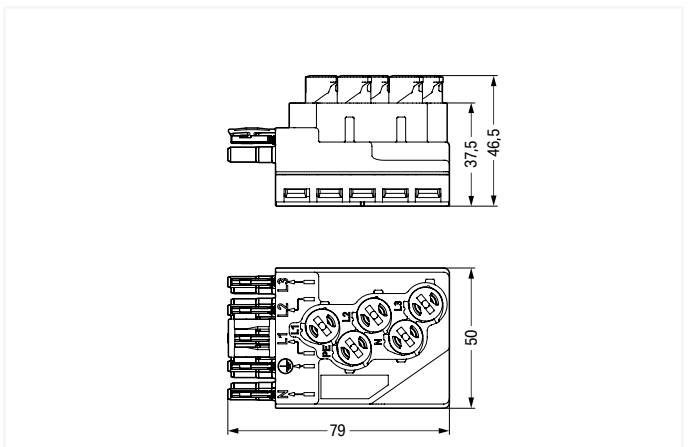
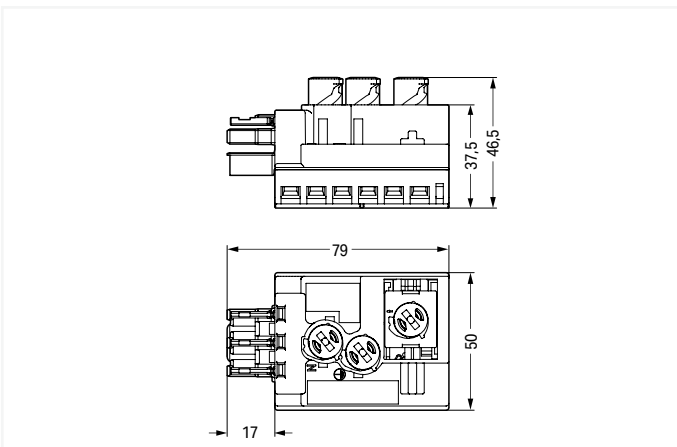
772-263

772-262

General mains applications				
Color	Coding	Marking	Item no.	PU
● black	A	L ⊕ N	772-263	10
Control technology				
Color	Coding	Marking	Item no.	PU
○ gray	B	L ⊕ N	772-266/060-000	10
EDV (UPS)				
Color	Coding	Marking	Item no.	PU
● red	P	L ⊕ N	772-269	10

General mains applications				
Color	Coding	Marking	Item no.	PU
● black	A	N ⊕ L1 L2 L3	772-262	10
Control technology				
Color	Coding	Marking	Item no.	PU
○ gray	B	N ⊕ L1 L2 L3	772-265/060-000	10
DALI, Lighting Management				
Color	Coding	Marking	Item no.	PU
● blue	I	N ⊕ L DA- DA+	772-272	10

EDV (UPS)				
Color	Coding	Marking	Item no.	PU
● red	P	N ⊕ L1 L2 L3	772-268	10



6

Accessories; for all products on this page



Lockout cap; for socket; separable;
Pole number: 12



Mounting plate;

Color	Item no.	PU
● black	770-201	100
○ white	770-221	100

Color	Item no.	PU
● black	772-260	10

PU = packaging unit; SPU = subpackaging unit; Dimensions in mm

6

Supply/tap-off module ► WINSTA® IDC ► 893 Series for flat cable 5 x 2.5 mm² + 2 x 1.5 mm² ► Pole number: 2



- Suitable for bus and power lines or for bus and power combined in one cable
- Easy installation without line interruption due to convenient insulation displacement technology (IDC)
- WINSTA® IDC Supply and Tap-Off Modules allow connection at any point along the flat cable – one rotation per pole is all that is required.

Electrical data

Ratings per	IEC/EN 60664-1		
Overvoltage category	III	III	II
Pollution degree	3	2	2
Nominal voltage	50 V	-	-
Rated surge voltage	0.8 kV	-	-
Rated current	3 A	-	-

Material Data

Insulation material	Polyamide (PA66)
Flammability class per UL94	V0
Contact material	Copper or copper alloy; surface-treated
Contact plating	Tin

Mechanical Data

Number of mating cycles	200
Retention force of a plug-in connection	When locked: > 80 N
Protection type	IP20
Note on protection type	When mated: IP2xC (These compact connectors are not designed for use in open, easily accessible areas!)

Environmental requirements

Processing temperature	-5 ... +40 °C
Continuous operating temperature	-35 ... +85 °C
Note on continuous operating temperature	Cable for temperatures ≤ 70 °C (including halogen-free) Flat cable for temperatures -15 °C to ≤ 70 °C (including halogen-free) Insulating parts for temperatures ≤ 105 °C

All WINSTA® components are 100% protected against mismatching when:

- a.) plugging different numbers of poles
- b.) plugging while rotated 180
- c.) plugging while laterally staggered
- d.) plugging one pole

Cables and connectors Page 391

See technical section for further information

Approvals and corresponding ratings, visit www.wago.com

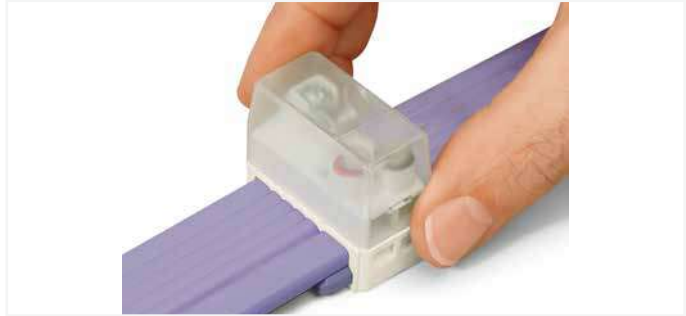
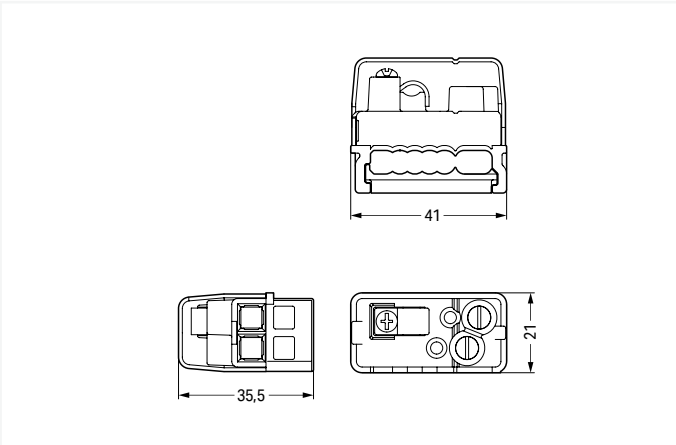
Supply/tap-off module ▶ WINSTA® IDC ▶ 893 Series
 for flat cable 5 x 2.5 mm² + 2 x 1.5 mm² ▶ Pole number: 2

Supply module



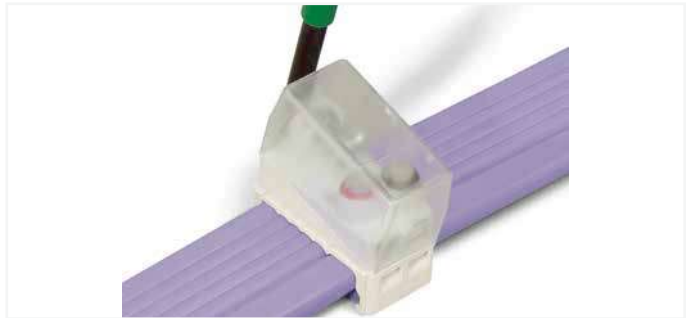
893-261

Color	Coding	Marking	Item no.	PU
○ gray	-	-	893-261	50

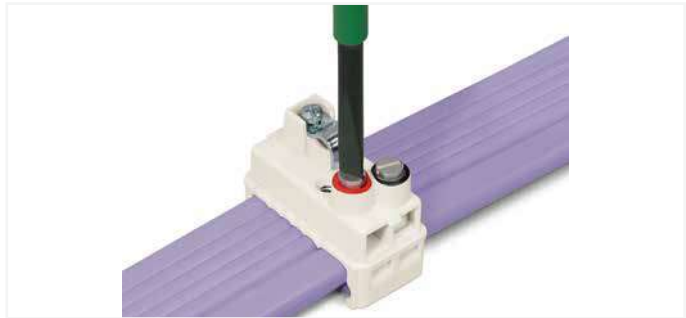


The IDC module can only be mounted if the two codings match each other.

Should the IDC module jam during mounting, turn the module by 180° and remount it, flush with the base.

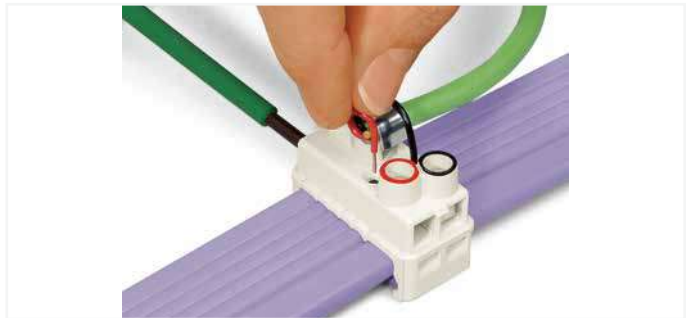


Remove transparent cover using a screwdriver.



Tighten the screws that are marked in red and black to connect the flat cable.

Observe 1 Nm of tightening torque!



Secure bus cable via strain relief and terminate stripped conductors as shown in the picture.

6

PU = packaging unit; SPU = subpackaging unit; Dimensions in mm

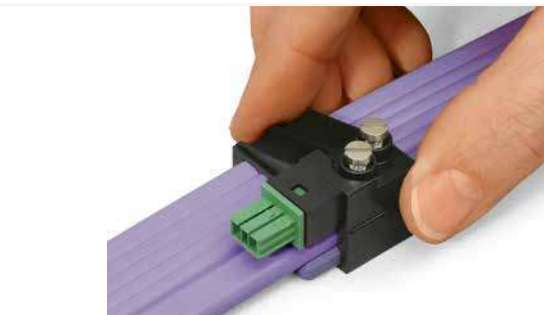
Supply/tap-off module ▶ WINSTA® IDC ▶ 893 Series for flat cable 5 x 2.5 mm² + 2 x 1.5 mm² ▶ Pole number: 2

Tap-off module



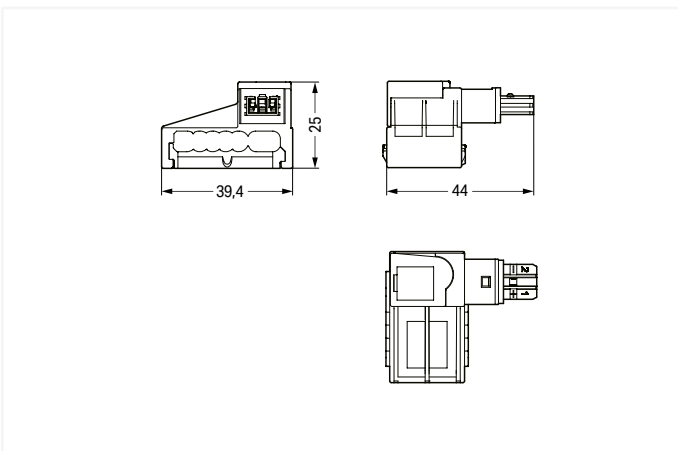
893-262

Color	Coding	Marking	Item no.	PU
● green	E	1+ 2-	893-262	50
Color	Coding	Marking	Item no.	PU
○ light gray	F	1+ 2-	893-269	50



The IDC module can only be mounted if the two codings match each other.

Should the IDC module jam during mounting, turn the module by 180° and remount it, flush with the base.

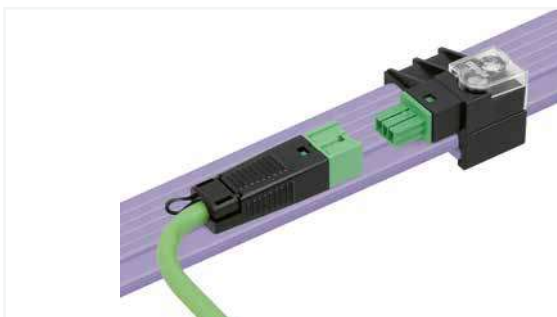


Tighten the screws to connect the flat cable.

Observe 1 Nm of tightening torque!



Snap the transparent protective cover onto the module.



Connect the cable assembly to the module.

6

6

Supply/tap-off module ► WINSTA® IDC ► 893 Series for flat cable 2 x 1.5 mm² ► Pole number: 2



- Suitable for bus and power lines or for bus and power combined in one cable
- Easy installation without line interruption due to convenient insulation displacement technology (IDC)
- WINSTA® IDC Supply and Tap-Off Modules allow connection at any point along the flat cable – one rotation per pole is all that is required.

Electrical data

Ratings per	IEC/EN 60664-1		
Overvoltage category	III	III	II
Pollution degree	3	2	2
Nominal voltage	50 V	-	-
Rated surge voltage	0.8 kV	-	-
Rated current	3 A	-	-

Connection data

Connection technology	IDC connection
-----------------------	----------------

Material Data

Insulation material	Polyamide (PA66)
Flammability class per UL94	V0
Contact material	Copper or copper alloy; surface-treated
Contact plating	Tin

Mechanical Data

Number of mating cycles	200
Retention force of a plug-in connection	When locked: > 80 N
Protection type	IP20
Note on protection type	When mated: IP2xC (These compact connectors are not designed for use in open, easily accessible areas!)

Environmental requirements

Processing temperature	-5 ... +40 °C
Continuous operating temperature	-35 ... +85 °C
Note on continuous operating temperature	Cable for temperatures ≤ 70 °C (including halogen-free) Flat cable for temperatures -15 °C to ≤ 70 °C (including halogen-free) Insulating parts for temperatures ≤ 105 °C

All WINSTA® components are 100% protected against mismatching when:

- a.) plugging different numbers of poles
- b.) plugging while rotated 180
- c.) plugging while laterally staggered
- d.) plugging one pole

Cables and connectors Page 389

See technical section for further information

Approvals and corresponding ratings, visit www.wago.com

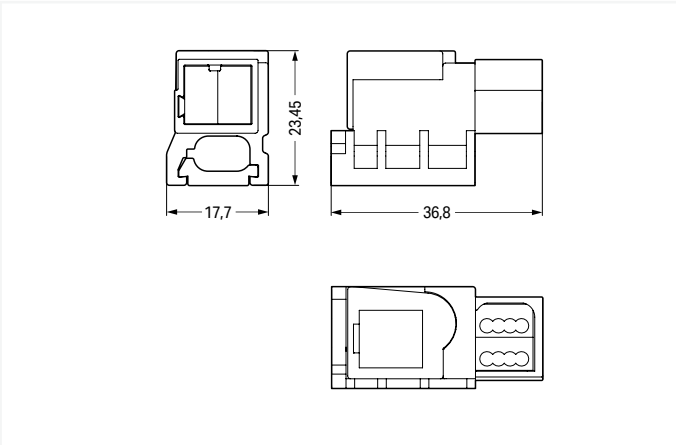
Supply/tap-off module ▶ WINSTA® IDC ▶ 893 Series for flat cable 2 x 1.5 mm² ▶ Pole number: 2

Supply module



893-121

Color	Coding	Marking	Item no.	PU
● black	-	-	893-121	25



The IDC module can only be mounted if the two codings match each other.

Should the IDC module jam during mounting, turn the module by 180° and remount it, flush with the base.

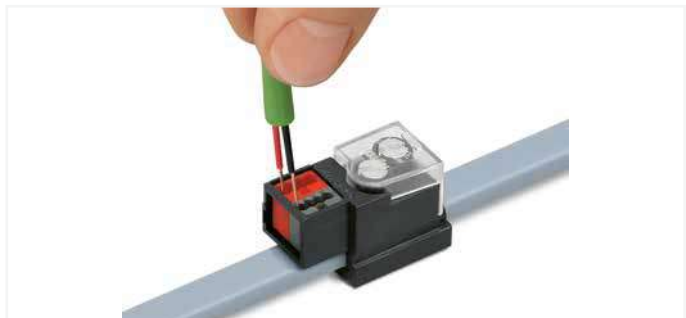


Tighten the screws to connect the flat cable.

Observe 1 Nm of tightening torque!



Snap the transparent protective cover onto the module.



Terminate stripped, solid conductors by simply pushing them into unit until they hit backstop.

PU = packaging unit; SPU = subpackaging unit; Dimensions in mm

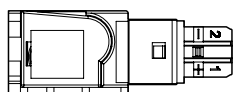
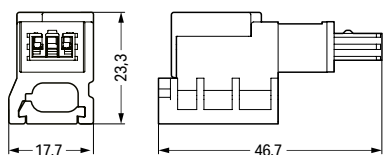
Supply/tap-off module ▶ WINSTA® IDC ▶ 893 Series for flat cable 2 x 1.5 mm² ▶ Pole number: 2

Tap-off module



893-122

Color	Coding	Marking	Item no.	PU
● green	E	1+ 2-	893-122	50
Color	Coding	Marking	Item no.	PU
○ light gray	F	1+ 2-	893-129	50



The IDC module can only be mounted if the two codings match each other.

Should the IDC module jam during mounting, turn the module by 180° and remount it, flush with the base.



Tighten the screws to connect the flat cable.

Observe 1 Nm of tightening torque!



Snap the transparent protective cover onto the module.



Connect the cable assembly to the module.

6

Supply/tap-off module ► WINSTA® IDC ► 896 Series for flat cable 3 x 2.5 mm²



- Suitable for bus and power lines or for bus and power combined in one cable
- Easy installation without line interruption due to convenient insulation displacement technology (IDC)
- WINSTA® IDC Supply and Tap-Off Modules allow connection at any point along the flat cable – one rotation per pole is all that is required.

Electrical data			
Ratings per	IEC/EN 60664-1		
Overvoltage category	III	III	II
Pollution degree	3	2	2
Nominal voltage	250 V	-	-
Rated surge voltage	4 kV	-	-
Rated current	24 A	-	-
Material Data			
Insulation material	Polyamide (PA66)		
Flammability class per UL94	V0		
Contact material	Copper or copper alloy; surface-treated		
Mechanical Data			
Protection type	IP20		
Environmental requirements			
Processing temperature	-5 ... +40 °C		
Continuous operating temperature	-35 ... +85 °C		

All WINSTA® components are 100% protected against mismatching when:

- a.) plugging different numbers of poles
- b.) plugging while rotated 180
- c.) plugging while laterally staggered
- d.) plugging one pole

Cables and connectors Page 390

See technical section for further information

Approvals and corresponding ratings, visit www.wago.com

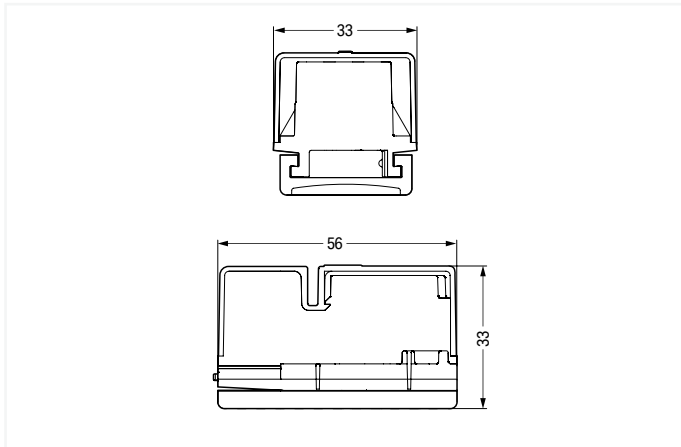
Supply/tap-off module ▶ WINSTA® IDC ▶ 896 Series for flat cable 3 x 2.5 mm²

Supply module ▶ Pole number: 3



896-231

Color	Coding	Marking	Item no.	PU
○ gray	-	-	896-231	10



PU = packaging unit; SPU = subpackaging unit; Dimensions in mm

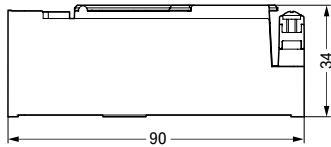
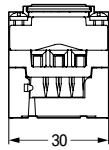
Supply/tap-off module ► WINSTA® IDC ► 896 Series for flat cable 3 x 2.5 mm²

Tap-off module ► Pole number: 3



896-232

Color	Coding	Marking	Item no.	PU
○ gray	-	-	896-232	10



Position the base and tighten screw, if necessary. Insert flat cable accurately. The key in the base must match the groove in the cable insulation.



Cut outgoing feeder cable, completely strip and insert conductors. Tighten screws firmly (observe 0.7 Nm of tightening torque).



Insert upper part into base until it hits the stop (which will click when engaged). Push down and lock lever. All three cores are contacted simultaneously.

6

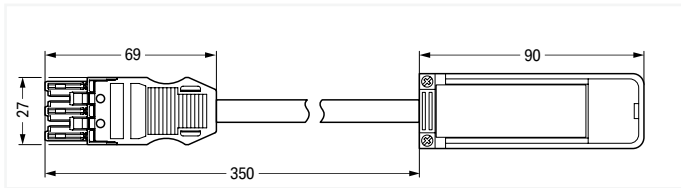
Supply/tap-off module ▶ WINSTA® IDC ▶ 896 Series for flat cable 3 x 2.5 mm²

Cable assembly ▶ General mains applications



896-233

Color	Coding	Marking	Item no.	PU
● black	A	L ⊕ N	896-233	1
○ white	A	L ⊕ N	896-234	1



PU = packaging unit; SPU = subpackaging unit; Dimensions in mm

Supply/tap-off module ► WINSTA® IDC ► 895 Series for flat cable 5 x 10 mm² ► Pole number: 5



- Suitable for bus and power lines or for bus and power combined in one cable
- Easy installation without line interruption due to convenient insulation displacement technology (IDC)
- WINSTA® IDC Supply and Tap-Off Modules allow connection at any point along the flat cable – one rotation per pole is all that is required.

Electrical data						
Ratings per	IEC/EN 60664-1			IEC/EN 60664-1		
Overvoltage category	III	III	II	III	III	II
Pollution degree	3	2	2	3	2	2
Nominal voltage	750 V	-	-	690 V	-	-
Rated surge voltage	8 kV	-	-	8 kV	-	-
Rated current	57 A	-	-	32 A	-	-
Material Data						
Insulation material	Polyamide (PA66)					
Flammability class per UL94	V0					
Contact material	Copper or copper alloy; surface-treated					
Contact plating	Tin					
Mechanical Data						
Retention force of a plug-in connection	When locked: > 80 N					
Protection type	IP20					
Note on protection type	When mated: IP2xC (These compact connectors are not designed for use in open, easily accessible areas!)					
Environmental requirements						
Processing temperature	-5 ... +40 °C					
Continuous operating temperature	-35 ... +85 °C					
Note on continuous operating temperature	Cable for temperatures ≤ 70 °C (including halogen-free) Flat cable for temperatures –15 °C to ≤ 70 °C (including halogen-free) Insulating parts for temperatures ≤ 105 °C					

All WINSTA® components are 100% protected against mismatching when:

- a.) plugging different numbers of poles
- b.) plugging while rotated 180
- c.) plugging while laterally staggered
- d.) plugging one pole

Cables and connectors Page 391

See technical section for further information

Approvals and corresponding ratings, visit www.wago.com

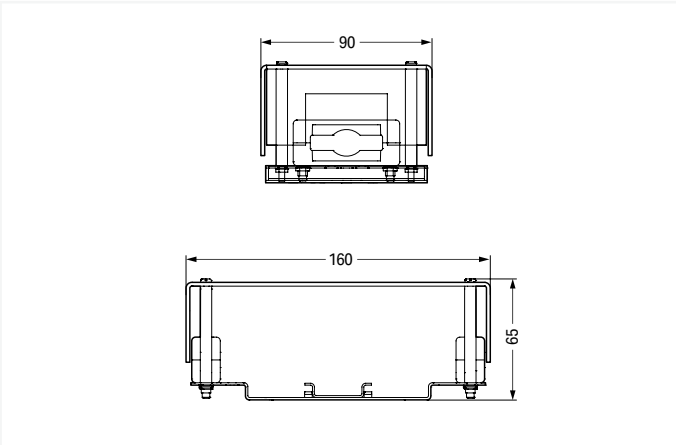
Supply/tap-off module ▶ WINSTA® IDC ▶ 895 Series
for flat cable 5 x 10 mm² ▶ Pole number: 5

Supply module

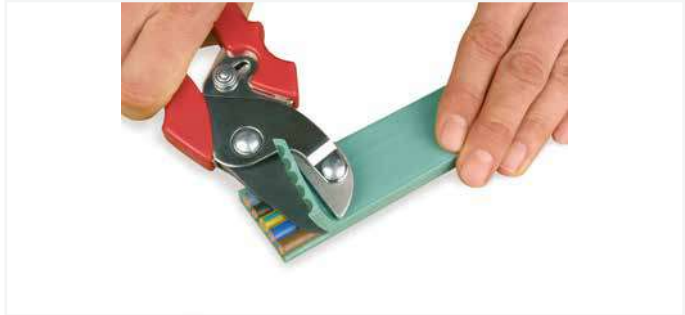


895-1051

Color	Coding	Marking	Item no.	PU
○ transparent	-	-	895-1051	1



Cut both sides of the flat cable insulation using a stripping knife (observe 30 mm of cutting length).



Cut off the flat cable insulation via cable cutter.



Push end cover fully onto the conductor ends.

PU = packaging unit; SPU = subpackaging unit; Dimensions in mm

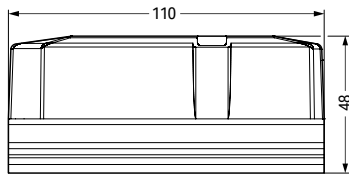
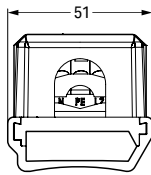
Supply/tap-off module ► WINSTA® IDC ► 895 Series for flat cable 5 x 10 mm² ► Pole number: 5

Tap-off module



895-1052

Color	Coding	Marking	Item no.	PU
○ transparent	-	-	895-1052	25



6

Supply/tap-off module ► WINSTA® IDC ► 895 Series for flat cable 5 x 16 mm² ► Pole number: 5



- Suitable for bus and power lines or for bus and power combined in one cable
- Easy installation without line interruption due to convenient insulation displacement technology (IDC)
- WINSTA® IDC Supply and Tap-Off Modules allow connection at any point along the flat cable – one rotation per pole is all that is required.

Electrical data						
Ratings per	IEC/EN 60664-1			IEC/EN 60664-1		
Overvoltage category	III	III	II	III	III	II
Pollution degree	3	2	2	3	2	2
Nominal voltage	690 V	-	-	690 V	-	-
Rated surge voltage	8 kV	-	-	8 kV	-	-
Rated current	76 A	-	-	41 A	-	-
Connection data						
Connection technology	Screw connection					
Connection technology 2	IDC connection					
Material Data						
Insulation material	Polyamide (PA66)					
Flammability class per UL94	V0					
Contact material	Copper or copper alloy; surface-treated					
Contact plating	Tin					
Mechanical Data						
Retention force of a plug-in connection	When locked: > 80 N					
Protection type	IP20					
Note on protection type	IP65 with screw-type connection/blind plug					
Environmental requirements						
Processing temperature	-5 ... +40 °C					
Continuous operating temperature	-35 ... +85 °C					
Note on continuous operating temperature	Cable for temperatures ≤ 70 °C (including halogen-free) Flat cable for temperatures -15 °C to ≤ 70 °C (including halogen-free) Insulating parts for temperatures ≤ 105 °C					

All WINSTA® components are 100% protected against mismatching when:

- plugging different numbers of poles
- plugging while rotated 180
- plugging while laterally staggered
- plugging one pole

Cables and connectors Page 391

See technical section for further information

Approvals and corresponding ratings, visit www.wago.com

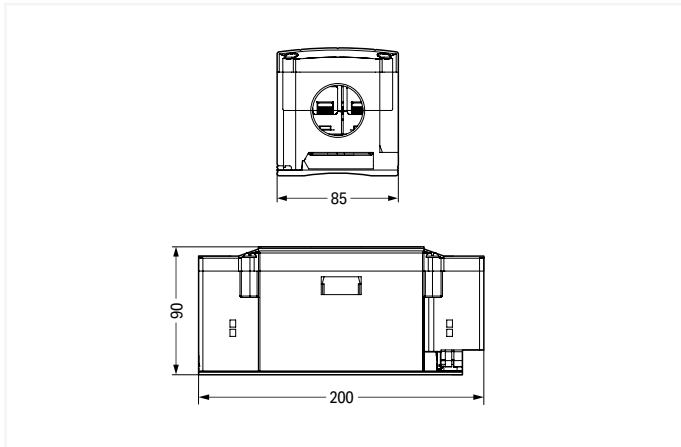
Supply/tap-off module ▶ WINSTA® IDC ▶ 895 Series
 for flat cable 5 x 16 mm² ▶ Pole number: 5

Supply module



895-1651

Color	Coding	Marking	Item no.	PU
● black	-	-	895-1651	1



PU = packaging unit; SPU = subpackaging unit; Dimensions in mm

Supply/tap-off module ▶ WINSTA® IDC ▶ 895 Series for flat cable 5 x 16 mm² ▶ Pole number: 5

Tap-off module



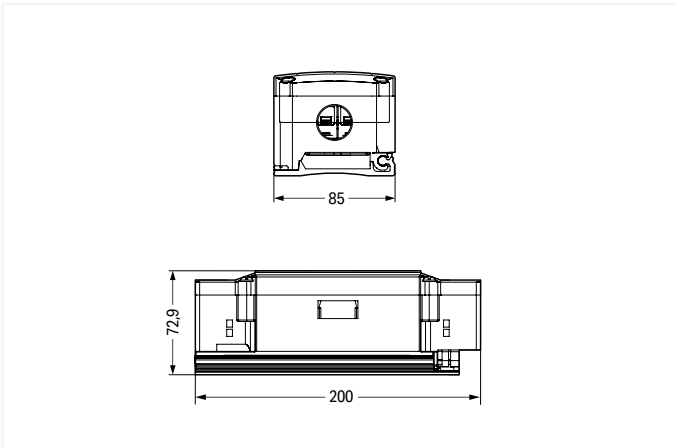
Tighten the screws to the stop to connect the flat cable (observe the tightening torque!)



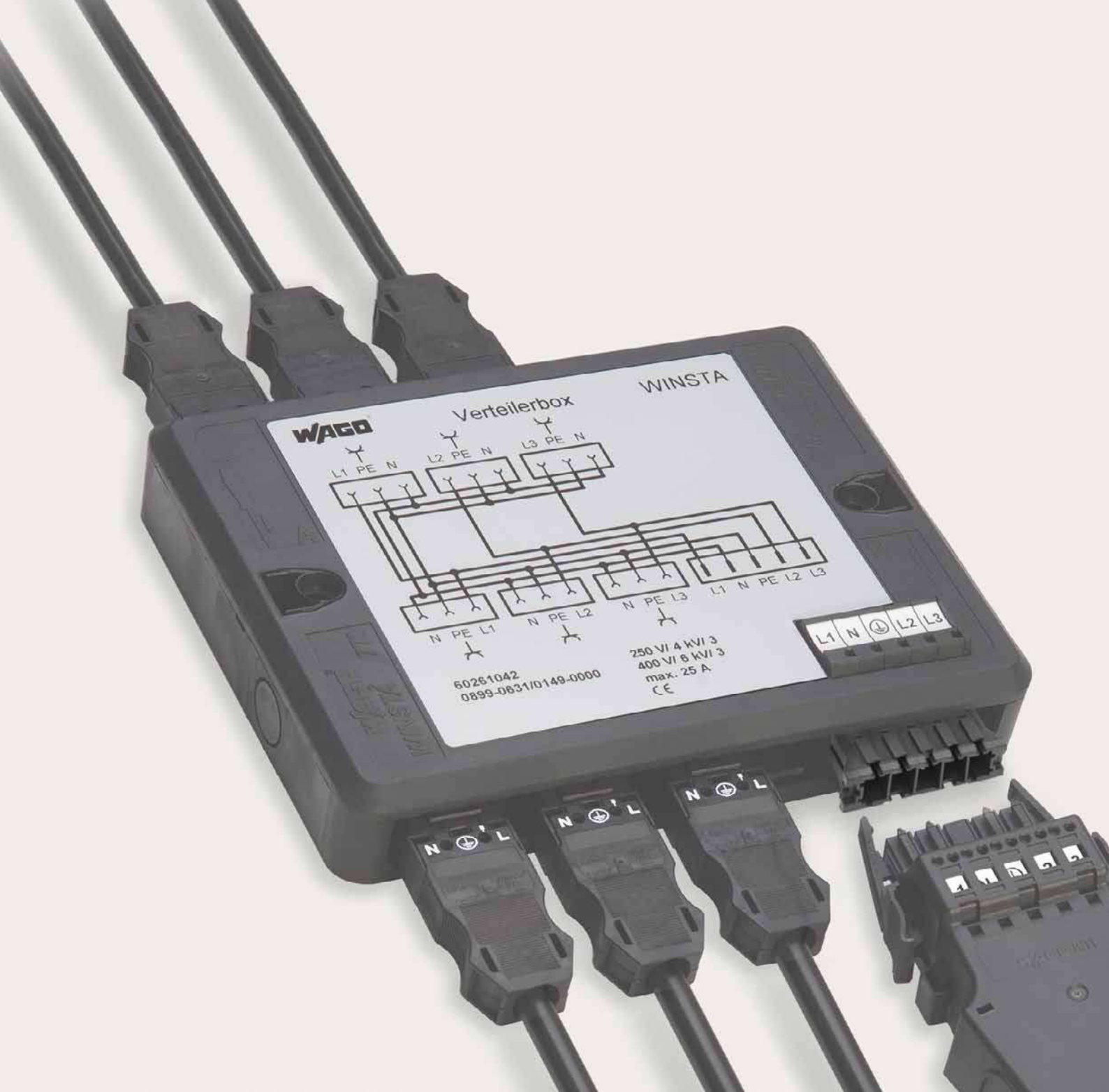
Red contact clips confirm that the contacts are made correctly when they are flush with the terminals.

895-1652

Color	Coding	Marking	Item no.	PU
● black	-	-	895-1652	1





6



WAGO Pluggable Connection System WINSTA® Boxes

WAGO Pluggable Connection System WINSTA® Boxes ▶ 899 Series

	Page	
	899 Series	
	Single-Phase Current (230 V)	339
	Three-Phase Current (400 V)	344
	Three-Phase to Single-Phase Current (400 V/230 V)	344
	Supply Cable Entry	348
	DALI	351
	SMI	354
	Motion and Presence Detectors	355
	On/Off Switching	356
	Series Switching	357
	Changeover Switching	358
	Crossover Switching	359
	Cable and Device Protection	359
	Latching Relay	360
	Relay Switching	361
	Distribution Box for Self-Assembly	362

WINSTA® Boxes ▶ 899 Series System Description and Installation



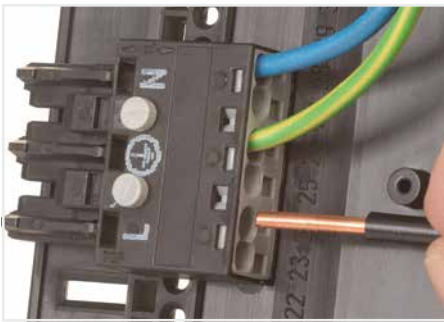
The set includes: 1 bottom, 1 lid, 2 sidewalls and 16 mounting pins.



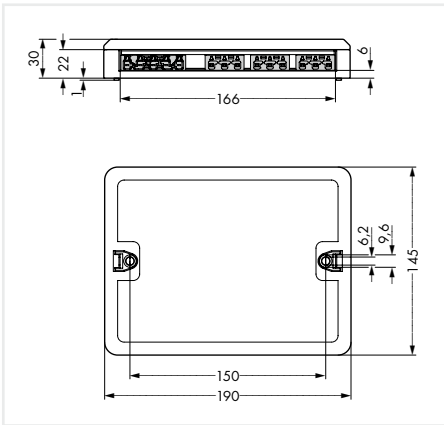
Remove unrequired areas from the sidewalls.



Unassigned slots and spaces are closed by inserting a sidewall.



Using mounting pins to secure WINSTA® MIDI connectors in a distribution box.



Dimensions of a WINSTA® Box



Securing the mounting plate with WINSTA® Box to the wall (e.g., via stud gun).



Using adapters to install WINSTA® MINI connectors in a distribution box.



Custom-made WINSTA® Box

WINSTA® Boxes ▶ 899 Series

Single-Phase Current (230 V)

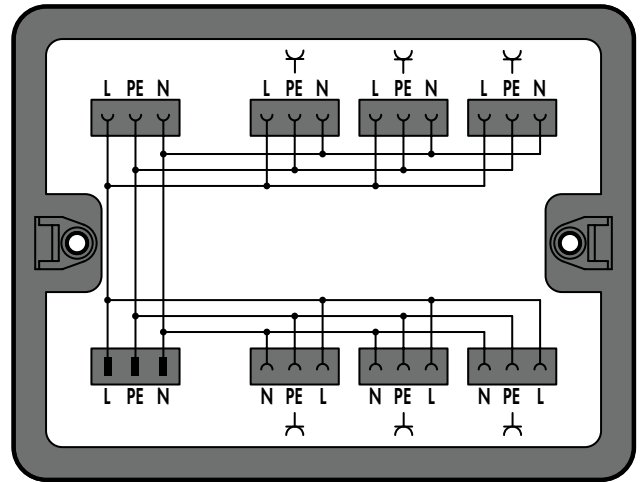
1 Input; 7 Outputs; A-Coding; WINSTA® MIDI

Description

This WINSTA® Box duplicates the outputs of a 3-pole, single-phase cable.

Technical Data

Rated voltage (III / 3)	250 V
Rated impulse voltage (III / 3)	4 kV
Rated current	25 A
Internal wiring	4 mm ²



Distribution box; single-phase current (230 V)		
Color	Item No.	Pack. Unit
● black	899-631/104-000	1

Single-phase current (230 V)

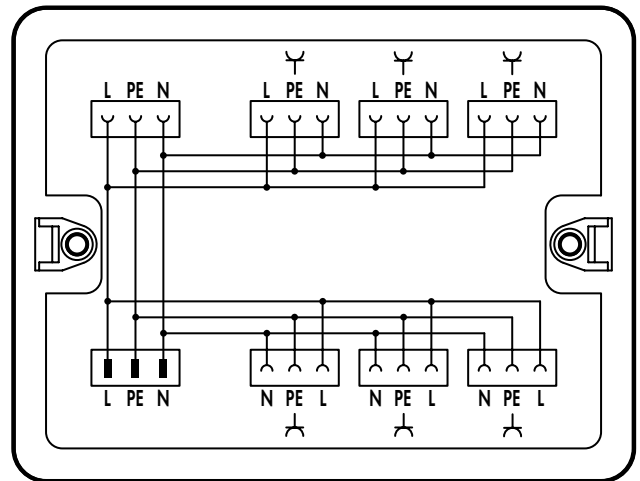
1 Input; 7 Outputs; A-Coding; WINSTA® MIDI

Description

This WINSTA® Box duplicates the outputs of a 3-pole, single-phase cable.

Technical Data

Rated voltage (III / 3)	250 V
Rated impulse voltage (III / 3)	4 kV
Rated current	25 A
Internal wiring	4 mm ²



Distribution box; single-phase current (230 V)		
Color	Item No.	Pack. Unit
○ white	899-681/104-000	1

(III / 3) Δ Overvoltage category III / Pollution degree 3

Accessories, 899 Series Page 359

Coding Overview Page 372

Approvals, see www.wago.com

WINSTA® Boxes ▶ 899 Series

Single-Phase Current (230 V)

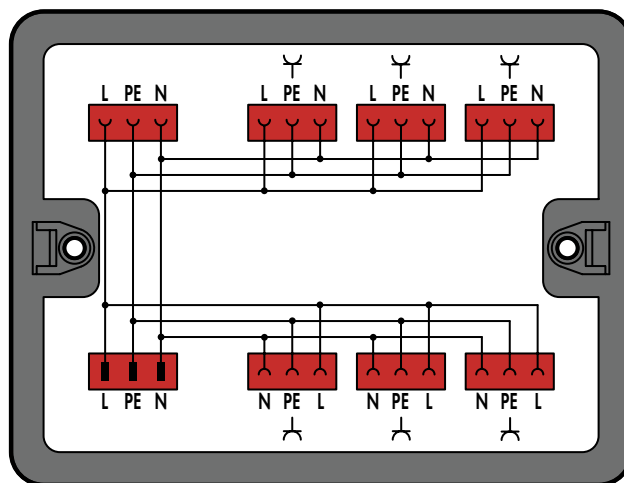
1 Input; 7 Outputs; P-Coding; WINSTA® MIDI

Description

This WINSTA® Box duplicates the outputs of a 3-pole, single-phase cable.

Technical Data

Rated voltage (III / 3)	250 V
Rated impulse voltage (III / 3)	4 kV
Rated current	25 A
Internal wiring	4 mm ²



Distribution box; single-phase current (230 V)

Color	Item No.	Pack. Unit
● black	899-631/330-000	1

Single-phase current (230 V)

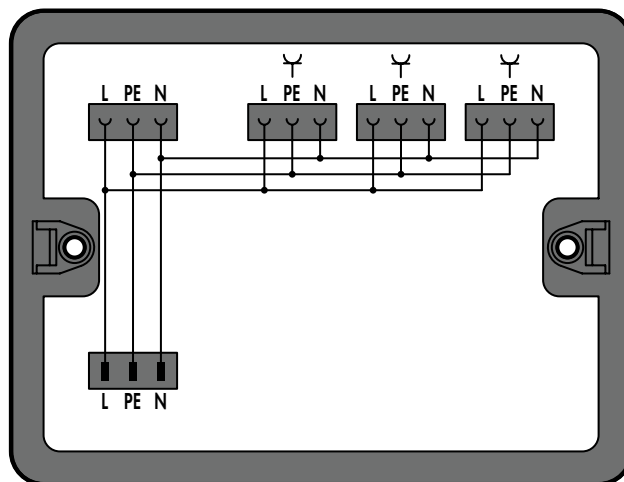
1 Input; 4 Outputs; A-Coding; WINSTA® MIDI

Description

This WINSTA® Box duplicates the outputs of a 3-pole, single-phase cable.

Technical Data

Rated voltage (III / 3)	250 V
Rated impulse voltage (III / 3)	4 kV
Rated current	20 A
Internal wiring	2.5 mm ² (halogen-free)



Distribution box; single-phase current (230 V)

Color	Item No.	Pack. Unit
● black	899-631/476-000	1

(III / 3) ≙ Overvoltage category III /
Pollution degree 3

Accessories, 899 Series Page 359

Coding Overview Page 372

Approvals, see www.wago.com

WINSTA® Boxes ▶ 899 Series

Single-Phase Current (230 V)

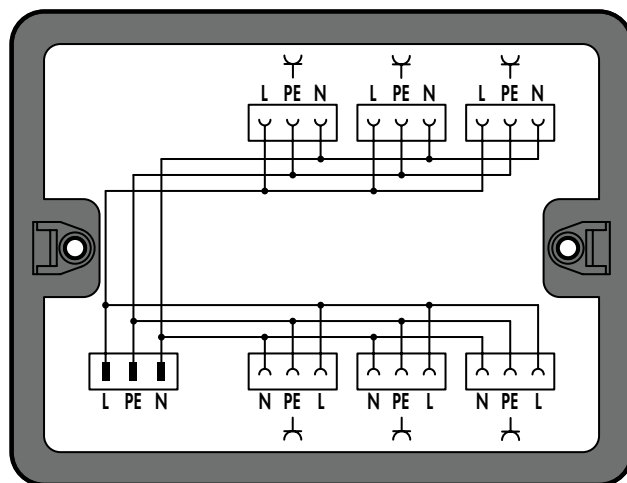
1 Input; 6 Outputs; A-Coding; WINSTA® MIDI

Description

This WINSTA® Box duplicates the outputs of a 3-pole, single-phase cable.

Technical Data

Rated voltage (III / 3)	250 V
Rated impulse voltage (III / 3)	4 kV
Rated current	25 A
Internal wiring	4 mm ²



Distribution box; single-phase current (230 V)

Color	Item No.	Pack. Unit
● black	899-631/395-000	1

Single-phase current (230 V)

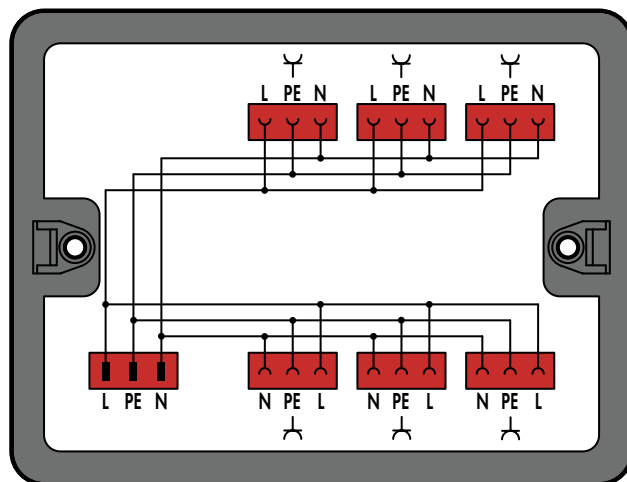
1 Input; 6 Outputs; P-Coding; WINSTA® MIDI

Description

This WINSTA® Box duplicates the outputs of a 3-pole, single-phase cable.

Technical Data

Rated voltage (III / 3)	250 V
Rated impulse voltage (III / 3)	4 kV
Rated current	25 A
Internal wiring	4 mm ²



Distribution box; single-phase current (230 V)

Color	Item No.	Pack. Unit
● black	899-631/331-000	1

7

WINSTA® Boxes ▶ 899 Series

Single-Phase Current (230 V)

1 Input; 13 Outputs; A-Coding; WINSTA® MIDI

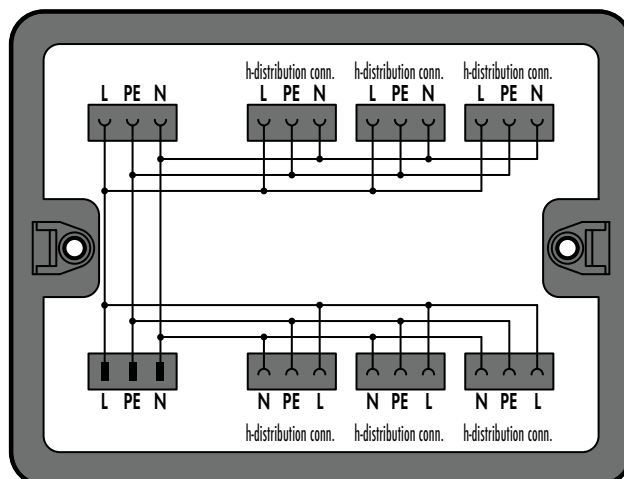
Description

This WINSTA® Box duplicates the outputs of a 3-pole, single-phase cable.

Includes: Six h-distribution connectors (770-634)

Technical Data

Rated voltage (III / 3)	250 V
Rated impulse voltage (III / 3)	4 kV
Rated current	25 A
Internal wiring	4 mm ²



Distribution box; single-phase current (230 V)

Color	Item No.	Pack. Unit
● black	899-631/334-000	1

Single-phase current (230 V)

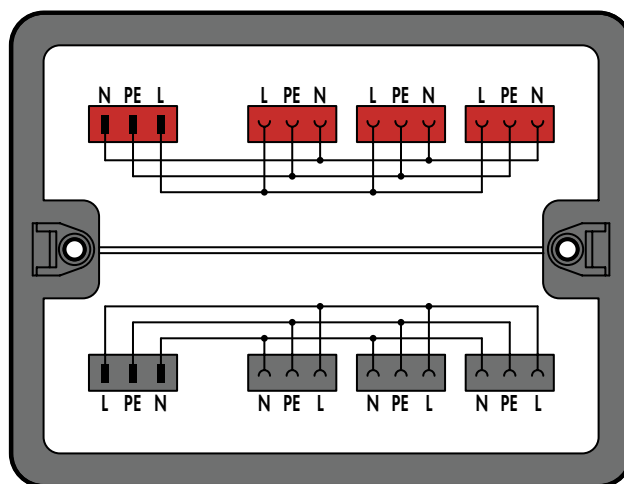
2 Inputs; 6 Outputs; A-, P-Coding; WINSTA® MIDI

Description

This WINSTA® Box features two different 3-pole, single-phase circuits (e.g., for general power, EDP outlets, and UPS systems). Both networks are provided with differently encoded connectors. Three-pole connecting cables are provided for both power input and output.

Technical Data

Rated voltage (III / 3)	250 V
Rated impulse voltage (III / 3)	4 kV
Rated current	25 A
Internal wiring	4 mm ²



Distribution box; single-phase current (230 V)

Color	Item No.	Pack. Unit
● black	899-631/311-000	1

(III / 3) ≙ Overvoltage category III /
Pollution degree 3

Accessories, 899 Series Page 359

Coding Overview Page 372

Approvals, see www.wago.com

WINSTA® Boxes ▶ 899 Series

Single-Phase Current (230 V)

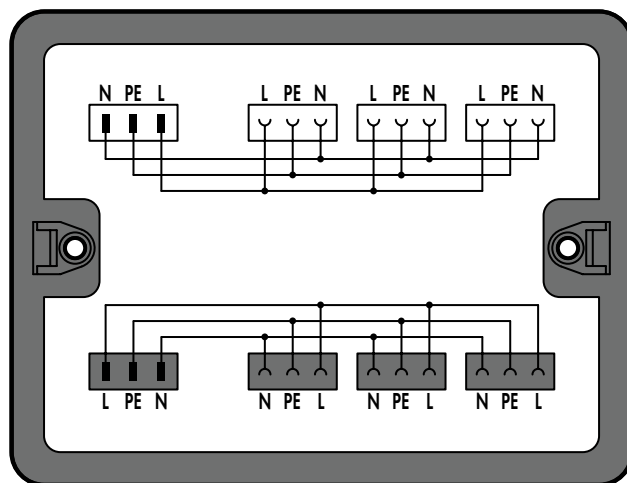
2 Inputs; 6 Outputs; A-Coding; WINSTA® MIDI

Description

This WINSTA® Box features two different 3-pole, single-phase circuits (e.g., for general power, EDP outlets, and UPS systems). Both networks are provided with differently encoded connectors. Three-pole connecting cables are provided for both power input and output.

Technical Data

Rated voltage (III / 3)	250 V
Rated impulse voltage (III / 3)	4 kV
Rated current	25 A
Internal wiring	4 mm ²



Distribution box; single-phase current (230 V)		
Color	Item No.	Pack. Unit
● black	899-631/327-000	1

Single-phase current (230 V)

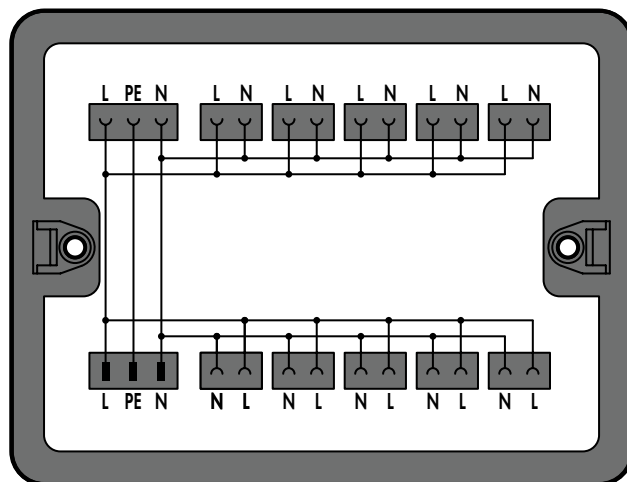
1 Input; 11 Outputs; A-Coding; WINSTA® MIDI

Description

This WINSTA® Box features a 3-pole transmission line and ten 2-pole outputs.

Technical Data

Rated voltage (III / 3)	250 V
Rated impulse voltage (III / 3)	4 kV
Rated current	16 A
Internal wiring	1.5 mm ² (halogen-free)



Distribution box; single-phase current (230 V)		
Color	Item No.	Pack. Unit
● black	899-631/477-000	1

7

WINSTA® Boxes ▶ 899 Series

Three-Phase Current (400 V)

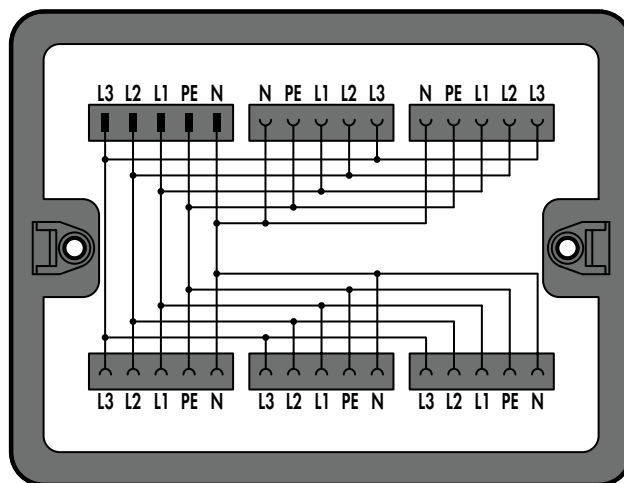
1 Input; 5 Outputs; A-Coding; WINSTA® MIDI

Description

This WINSTA® Box duplicates the outputs of a 5-pole, three-phase cable.

Technical Data

Rated voltage (III / 3)	400 V
Rated impulse voltage (III / 3)	6 kV
Rated current	25 A
Internal wiring	4 mm ²



Distribution box; three-phase current (400 V)

Color	Item No.	Pack. Unit
● black	899-631/187-000	1

Three-Phase to Single-Phase Current (400 V/230 V)

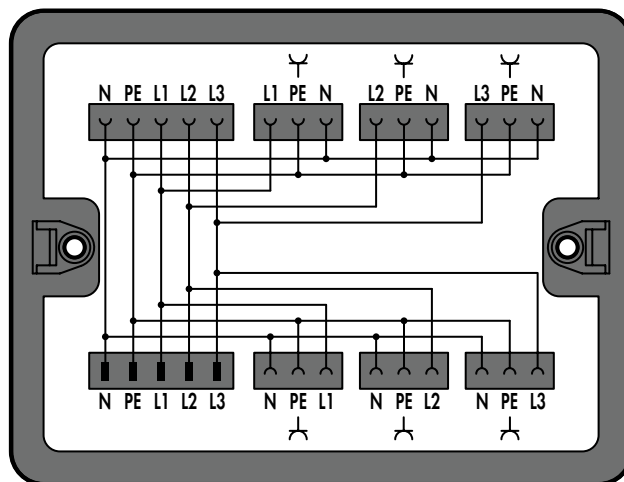
1 Input; 7 Outputs; A-Coding; WINSTA® MIDI

Description

The phases L₁, L₂ and L₃ of the three-phase current are divided into three single-phase circuits with two outputs each.

Technical Data

Rated voltage (III / 3)	250 V / 400 V
Rated impulse voltage (III / 3)	4 kV / 6 kV
Rated current	25 A
Internal wiring	4 mm ²



Distribution box; three-phase to single-phase current (400 V / 230 V)

Color	Item No.	Pack. Unit
● black	899-631/100-000	1

(III / 3) ≙ Overvoltage category III /
Pollution degree 3

Accessories, 899 Series Page 359

Coding Overview Page 372

Approvals, see www.wago.com

WINSTA® Boxes ▶ 899 Series

Three-Phase to Single-Phase Current (400 V / 230 V)

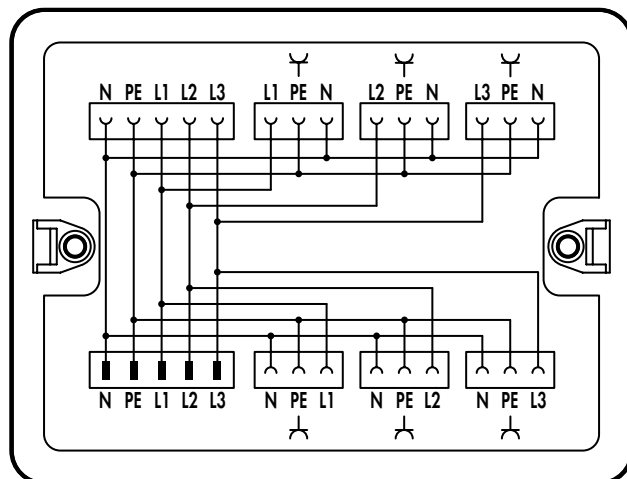
1 Input; 7 Outputs; A-Coding; WINSTA® MIDI

Description

The phases L₁, L₂ and L₃ of the three-phase current are divided into three single-phase circuits with two outputs each.

Technical Data

Rated voltage (III / 3)	250 V / 400 V
Rated impulse voltage (III / 3)	4 kV / 6 kV
Rated current	25 A
Internal wiring	4 mm ²



Distribution box; three-phase to single-phase current (400 V / 230 V)		
Color	Item No.	Pack. Unit
○ white	899-681/100-000	1

Distribution; Three-Phase to Single-Phase Current (400 V / 230 V)

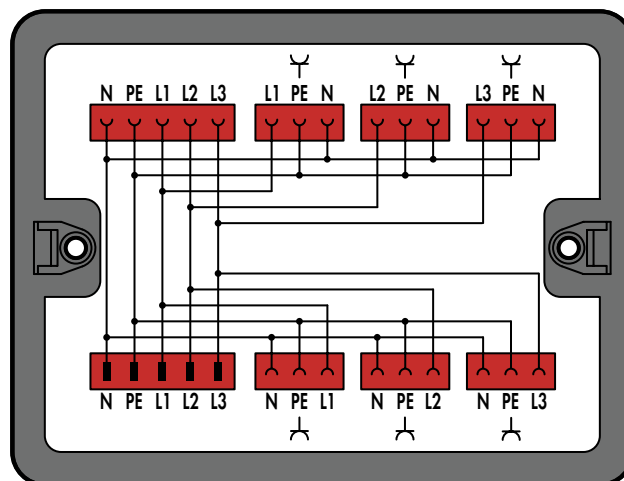
1 Input; 7 Outputs; P-Coding; WINSTA® MIDI

Description

The phases L₁, L₂ and L₃ of the three-phase current are divided into three single-phase circuits with two outputs each.

Technical Data

Rated voltage (III / 3)	250 V / 400 V
Rated impulse voltage (III / 3)	4 kV / 6 kV
Rated current	25 A
Internal wiring	4 mm ²



Distribution box; three-phase to single-phase current (400 V / 230 V)		
Color	Item No.	Pack. Unit
● black	899-631/186-000	1

7

WINSTA® Boxes ▶ 899 Series**Three-Phase to Single-Phase Current (400 V / 230 V)**

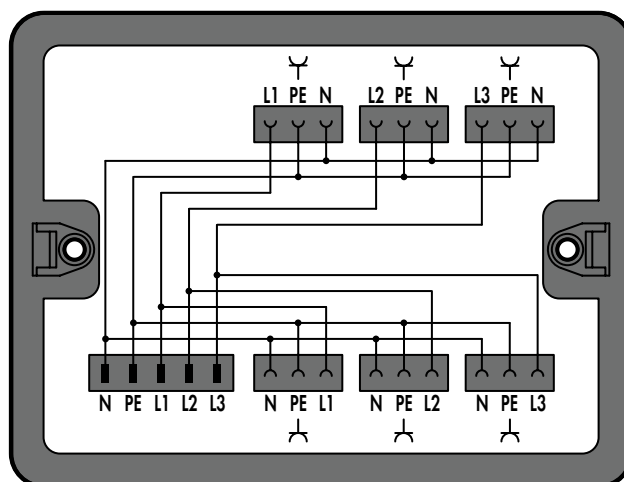
1 Input; 6 Outputs; A-Coding; WINSTA® MIDI

Description

The phases L₁, L₂ and L₃ of the three-phase current are divided into three single-phase circuits with two outputs each.

Technical Data

Rated voltage (III / 3)	250 V / 400 V
Rated impulse voltage (III / 3)	4 kV / 6 kV
Rated current	25 A
Internal wiring	4 mm ²



Distribution box; three-phase to single-phase current (400 V / 230 V)

Color	Item No.	Pack. Unit
● black	899-631/105-000	1

Three-Phase to Single-Phase Current (400 V/230 V)

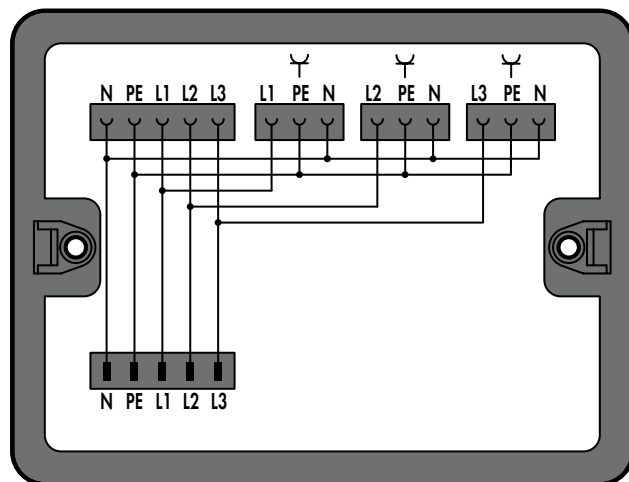
1 Input; 4 Outputs; A-Coding; WINSTA® MIDI

Description

The phases L₁, L₂ and L₃ of the three-phase current are divided into three single-phase circuits with one output each.

Technical Data

Rated voltage (III / 3)	250 V / 400 V
Rated impulse voltage (III / 3)	4 kV / 6 kV
Rated current	25 A
Internal wiring	4 mm ²



Distribution box; three-phase to single-phase current (400 V / 230 V)

Color	Item No.	Pack. Unit
● black	899-631/346-000	1

(III / 3) ≙ Overvoltage category III /
Pollution degree 3

Accessories, 899 Series Page 359

Coding Overview Page 372

Approvals, see www.wago.com

WINSTA® Boxes ▶ 899 Series

Three-Phase to Single-Phase Current (400 V / 230 V)

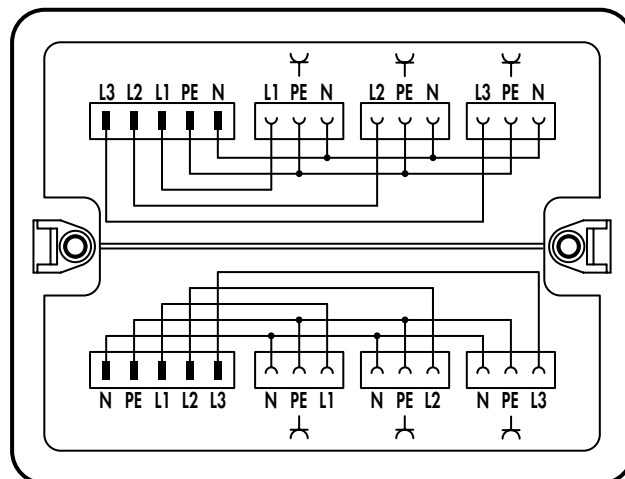
2 Inputs; 6 Outputs; A-Coding; WINSTA® MIDI

Description

This WINSTA® Box divides two 3-phase circuits into three single-phase circuits each (e.g., 230 V and EDP outlets).

Technical Data

Rated voltage (III / 3)	250 V / 400 V
Rated impulse voltage (III / 3)	4 kV / 6 kV
Rated current	20 A
Internal wiring	2.5 mm ² (halogen-free)



Distribution box; three-phase to single-phase current (400 V / 230 V)		
Color	Item No.	Pack. Unit
<input type="radio"/> white	899-681/144-000	1

Three-Phase to Single-Phase Current (400 V/230 V)

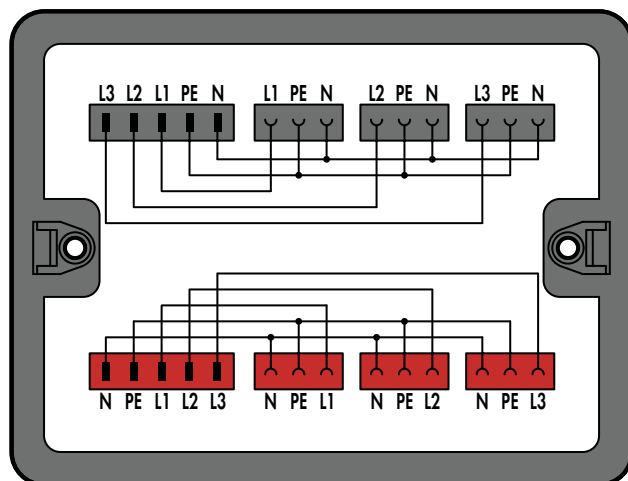
2 Inputs; 6 Outputs; A-, P-Coding; WINSTA® MIDI

Description

This WINSTA® Box divides two 3-phase circuits into three single-phase circuits each (e.g., 230 V and EDP outlets).

Technical Data

Rated voltage (III / 3)	250 V / 400 V
Rated impulse voltage (III / 3)	4 kV / 6 kV
Rated current	25 A
Internal wiring	4 mm ²



Distribution box; three-phase to single-phase current (400 V / 230 V)		
Color	Item No.	Pack. Unit
<input checked="" type="radio"/> black	899-631/302-000	1

7

WINSTA® Boxes ▶ 899 Series**Three-Phase to Single-Phase Current (400 V / 230 V)**

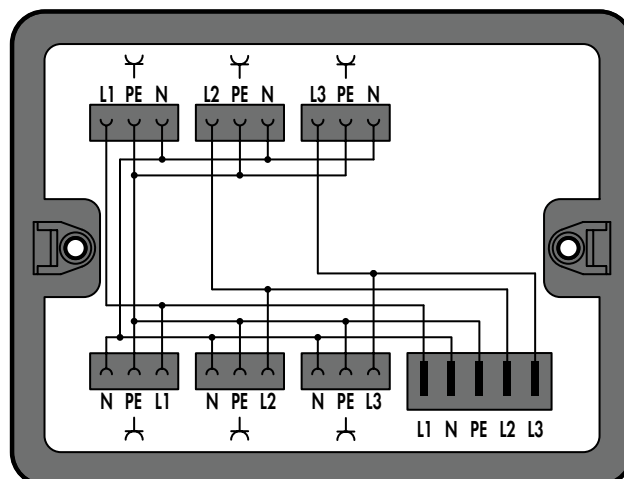
1 Input; 6 Outputs; A-Coding; WINSTA® MIDI; WINSTA® MAXI

Description

This WINSTA® Box divides a 3-phase circuit into three single-phase circuits with two outputs each. Power supply is performed via 6 mm² cable equipped with a WINSTA® MAXI connector.

Technical Data

Rated voltage (III / 3)	250 V / 400 V
Rated impulse voltage (III / 3)	4 kV / 6 kV
Rated current	25 A
Internal wiring	4 mm ²



Distribution box; three-phase to single-phase current (400 V / 230 V)

Color	Item No.	Pack. Unit
● black	899-631/149-000	1

Three-Phase to Single-Phase Current (400 V/230 V)

Supply Cable Entry; 1 Input; 6 Outputs; A-Coding; WINSTA® MIDI

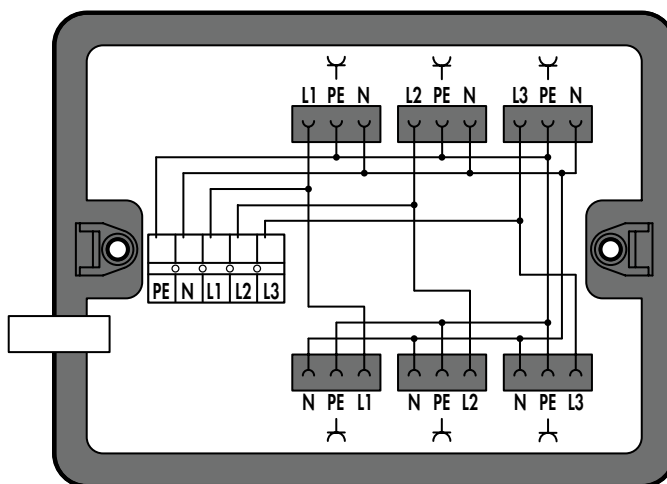
Description

Power supply is performed via standard 5-pole terminal strip. The phases L₁, L₂, and L₃ of the three-phase current are divided into three single-phase circuits with two outputs each.

Includes: One cable clamp and two mounting screws

Technical Data

Rated voltage (III / 3)	250 V / 400 V
Rated impulse voltage (III / 3)	4 kV / 6 kV
Rated current	25 A
Internal wiring	4 mm ²



Distribution box; three-phase to single-phase current (400 V / 230 V)

Color	Item No.	Pack. Unit
● black	899-631/338-000	1

(III / 3) ≙ Overvoltage category III /
Pollution degree 3

Accessories, 899 Series Page 359

Coding Overview Page 372

Approvals, see www.wago.com

WINSTA® Boxes ▶ 899 Series

Three-Phase to Single-Phase Current (400 V / 230 V)

Supply Cable Entry; 1 Input; 6 Outputs; A-Coding; WINSTA® MIDI

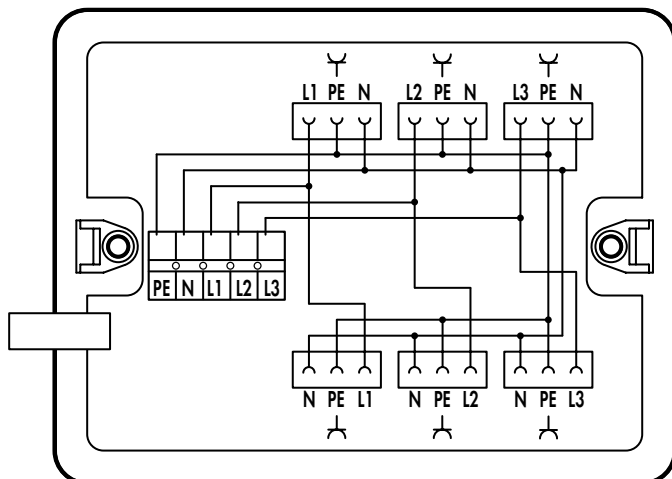
Description

Power supply is performed via standard 5-pole terminal strip. The phases L₁, L₂ and L₃ of the three-phase current are divided into three single-phase circuits with two outputs each.

Includes: One cable clamp and two mounting screws

Technical Data

Rated voltage (III / 3)	250 V / 400 V
Rated impulse voltage (III / 3)	4 kV / 6 kV
Rated current	25 A
Internal wiring	4 mm ²



Distribution box; three-phase to single-phase current (400 V / 230 V)

Color	Item No.	Pack. Unit
○ white	899-681/123-000	1

Supply Cable Entry

Supply Cable Entry; 1 Input; 6 Outputs; P-Coding; WINSTA® MIDI

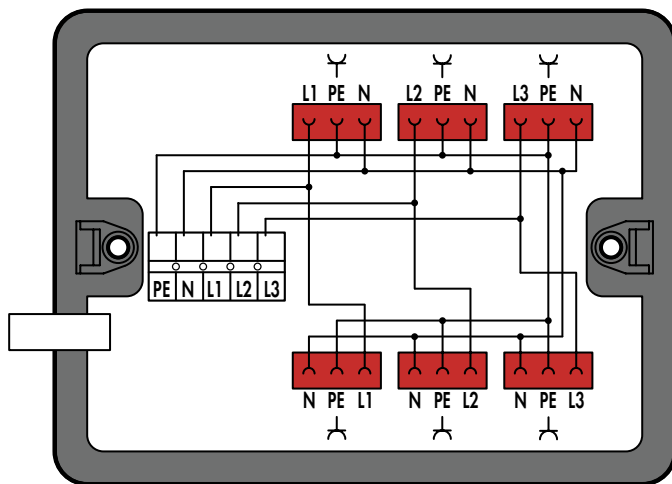
Description

Power supply is performed via standard 5-pole terminal strip. The phases L₁, L₂ and L₃ of the three-phase current are divided into three single-phase circuits with two outputs each.

Includes: One cable clamp and two mounting screws

Technical Data

Rated voltage (III / 3)	250 V / 400 V
Rated impulse voltage (III / 3)	4 kV / 6 kV
Rated current	25 A
Internal wiring	4 mm ²



Distribution box; three-phase to single-phase current (400 V / 230 V)

Color	Item No.	Pack. Unit
● black	899-631/339-000	1

7

WINSTA® Boxes ▶ 899 Series

Supply Cable Entry

6 Outputs; A-Coding; WINSTA® MIDI

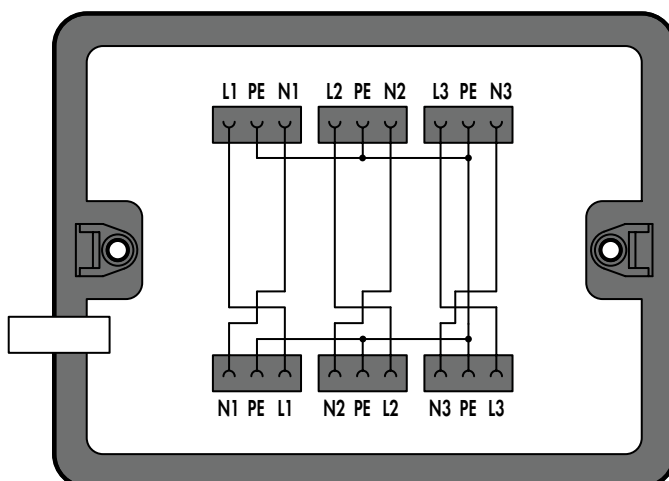
Description

Power supply is performed directly via connectors using a 7-pole cable.
Each phase of the 3-phase current are divided into two outputs.
Power supply is performed to the left or to the right.

Includes: Two cable clamps and four mounting screws

Technical Data

Rated voltage (III / 3)	250 V / 400 V
Rated impulse voltage (III / 3)	4 kV / 6 kV
Rated current	25 A
Internal wiring	4 mm ²



Distribution box; supply cable entry

Color	Item No.	Pack. Unit
● black	899-631/450-000	1

Supply Cable Entry

4 Outputs; A-Coding; WINSTA® MIDI

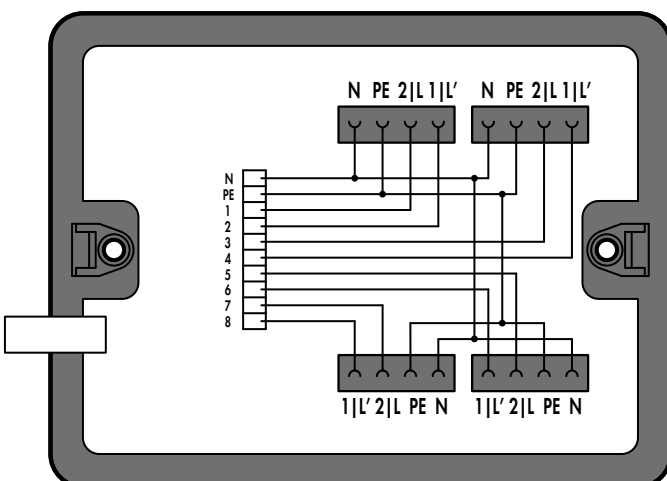
Description

Power supply is performed via 10-pole cable on a terminal strip.
Application example:
Blind drives control

Includes: One cable clamp and two mounting screws

Technical Data

Rated voltage (III / 3)	250 V / 400 V
Rated impulse voltage (III / 3)	4 kV / 6 kV
Rated current	16 A
Internal wiring	1.5 mm ² (halogen-free)



Distribution box; supply cable entry

Color	Item No.	Pack. Unit
● black	899-631/453-000	1

(III / 3) ≙ Overvoltage category III /
Pollution degree 3

Accessories, 899 Series Page 359

Coding Overview Page 372

Approvals, see www.wago.com

WINSTA® Boxes ▶ 899 Series

Supply Cable Entry

8 Outputs; B-Coding; WINSTA® MINI

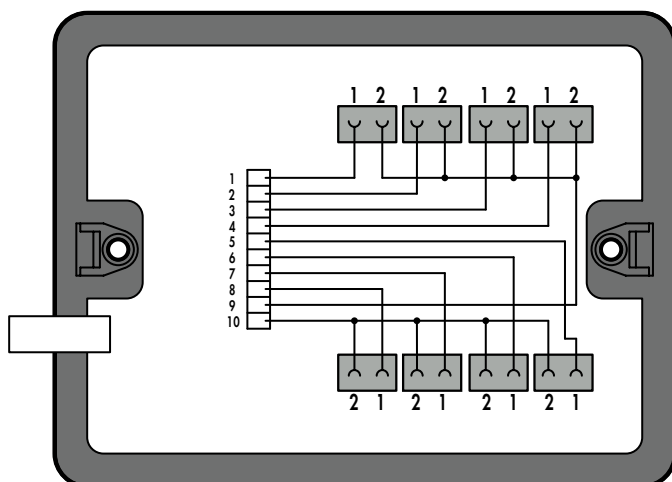
Description

Power supply is performed via 10-pole cable on a terminal strip.
Application example:
Valves control

Includes: One cable clamp and two mounting screws

Technical Data

Rated voltage (III / 3)	250 V
Rated impulse voltage (III / 3)	4 kV
Rated current	6 A
Internal wiring	0.75 mm ²



Distribution box; supply cable entry		
Color	Item No.	Pack. Unit
● black	899-631/454-000	1

230 V + DALI

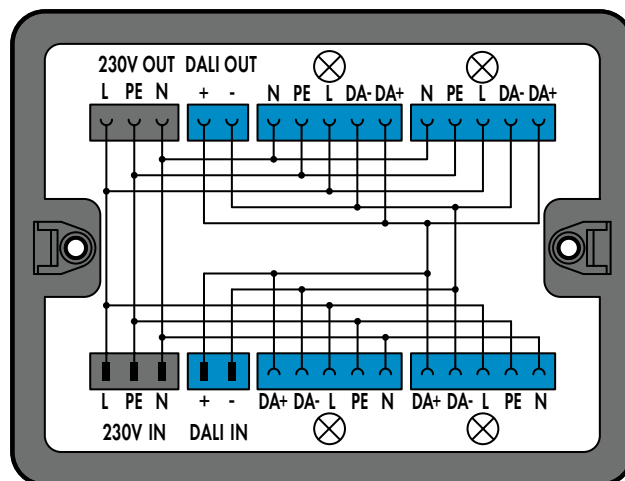
2 Inputs; 6 Outputs; A-, I-Coding; WINSTA® MINI; WINSTA® MIDI

Description

This WINSTA® Box connects 5-pole DALI lights.
Power supply is performed via two cables (230 V and DALI). Both cables are combined into four outputs.

Technical Data

Rated voltage (III / 3)	250 V
Rated impulse voltage (III / 3)	4 kV
Rated current	25 A / 16 A
Internal wiring	4 mm ² / 1.5 mm ²



Distribution box; 230 V + DALI		
Color	Item No.	Pack. Unit
● black	899-631/181-000	1

7

WINSTA® Boxes ▶ 899 Series**400 V + DALI**

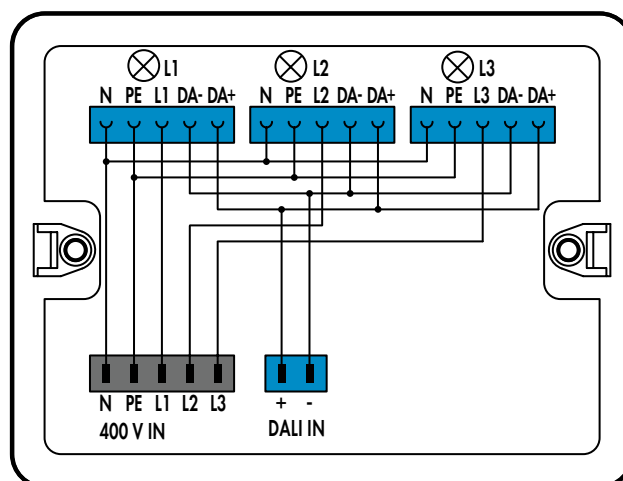
2 Inputs; 3 Outputs; A-, I-Coding; WINSTA® MINI; WINSTA® MIDI

Description

This WINSTA® Box combines the L1, L2 and L3 phases of the 3-phase current with the DALI signal (separate cable).

Technical Data

Rated voltage (III / 3)	400 V
Rated impulse voltage (III / 3)	6 kV
Rated current	20 A / 16 A
Internal wiring	2.5 mm ² / 1.5 mm ² (halogen-free)



Distribution box; 400 V + DALI

Color	Item No.	Pack. Unit
<input type="radio"/> white	899-681/145-000	1

400 V + DALI

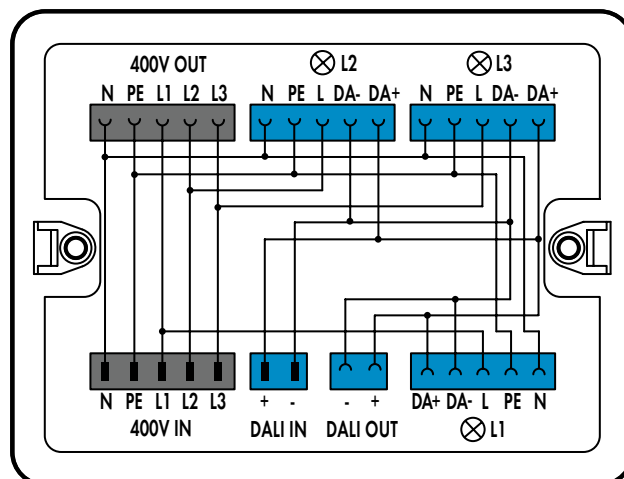
2 Inputs; 5 Outputs; A-, I-Coding; WINSTA® MINI; WINSTA® MIDI

Description

This WINSTA® Box combines the L1, L2 and L3 phases of the 3-phase current with the DALI signal (separate cable).

Technical Data

Rated voltage (III / 3)	250 V / 400 V
Rated impulse voltage (III / 3)	4 kV / 6 kV
Rated current	20 A / 16 A
Internal wiring	2.5 mm ² / 1.5 mm ² (halogen-free)



Distribution box; 400 V + DALI

Color	Item No.	Pack. Unit
<input type="radio"/> white	899-681/147-000	1

(III / 3) ≙ Overvoltage category III /
Pollution degree 3

Accessories, 899 Series Page 359

Coding Overview Page 372

Approvals, see www.wago.com

WINSTA® Boxes ▶ 899 Series**400 V + DALI**

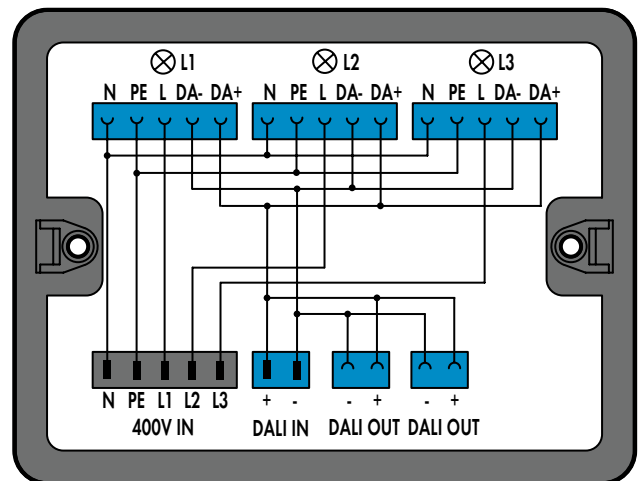
2 Inputs; 5 Outputs; A-, I-Coding; WINSTA® MINI; WINSTA® MIDI

Description

This WINSTA® Box combines the L1, L2 and L3 phases of the 3-phase current with the DALI signal (separate cable).

Technical Data

Rated voltage (III / 3)	250 V / 400 V
Rated impulse voltage (III / 3)	4 kV / 6 kV
Rated current	20 A / 16 A
Internal wiring	2.5 mm ² / 1.5 mm ² (halogen-free)

**Distribution box; 400 V + DALI**

Color	Item No.	Pack. Unit
● black	899-631/455-000	1

230 V + DALI

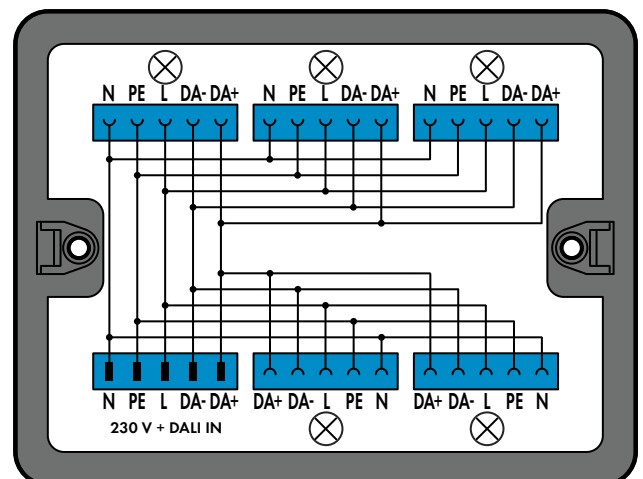
1 Input; 5 Outputs; I-Coding; WINSTA® MIDI

Description

This WINSTA® Box connects 5-pole DALI lights. Both 230 V power supply and DALI bus for light scene control are combined into a single line.

Technical Data

Rated voltage (III / 3)	250 V
Rated impulse voltage (III / 3)	4 kV
Rated current	20 A / 16 A
Internal wiring	2.5 mm ² / 1.5 mm ² (halogen-free)

**Distribution box; 230 V + DALI**

Color	Item No.	Pack. Unit
● black	899-631/313-000	1

WINSTA® Boxes ▶ 899 Series**230 V + DALI**

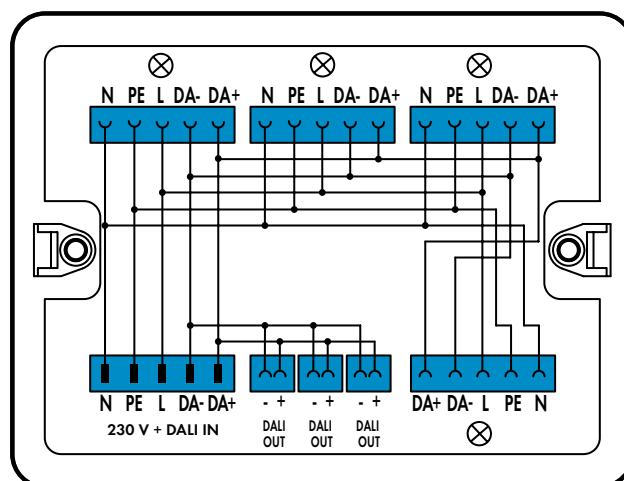
1 Input; 7 Outputs; I-Coding; WINSTA® MINI; WINSTA® MIDI

Description

This WINSTA® Box connects 5-pole DALI lights.
Both 230 V power supply and DALI bus for light scene control are combined into a single line. Additionally, three isolated DALI signals are available.

Technical Data

Rated voltage (III / 3)	250 V / 400 V
Rated impulse voltage (III / 3)	4 kV / 6 kV
Rated current	20 A / 16 A
Internal wiring	2.5 mm ² / 1.5 mm ² (halogen-free)

**Distribution box; 230 V + DALI**

Color	Item No.	Pack. Unit
○ white	899-681/146-000	1

230 V + SMI

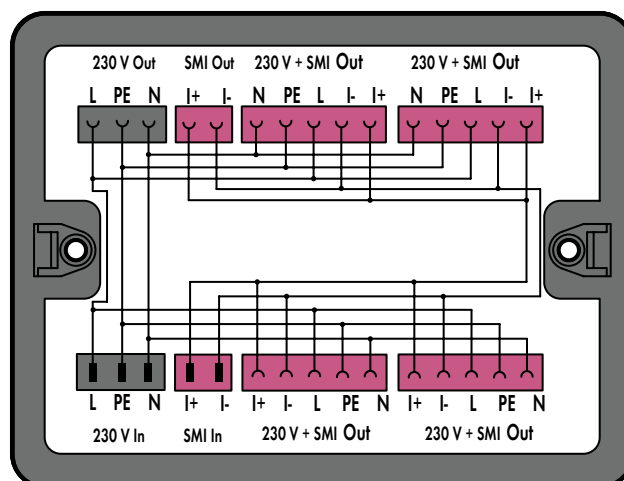
2 Inputs, 6 Outputs, A-, B-Coding; WINSTA® MINI; WINSTA® MIDI

Description

This WINSTA® Box connects to 5-pole SMI drives. Power supply is performed via two cables (230 V and SMI).

Technical Data

Rated voltage (III / 3)	250 V
Rated impulse voltage (III / 3)	4 kV
Rated current	25 A / 16 A
Internal wiring	4 mm ² / 1.5 mm ²

**Distribution box; 230 V + SMI**

Color	Item No.	Pack. Unit
● black	899-631/405-000	1

(III / 3) Δ Overvoltage category III /
Pollution degree 3

Accessories, 899 Series Page 359

Coding Overview Page 372

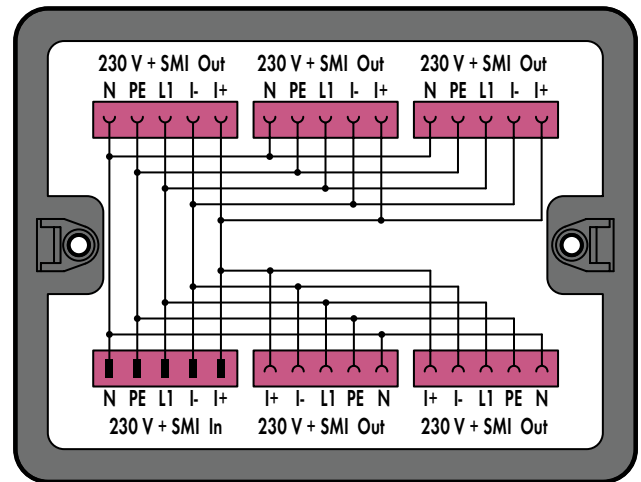
Approvals, see www.wago.com

WINSTA® Boxes ▶ 899 Series**230 V + SMI****1 Input; 5 Outputs; B-Coding, WINSTA® MIDI****Description**

This WINSTA® Box connects to 5-pole SMI drives; 230 V power supply and SMI signal are combined into a single line.

Technical Data

Rated voltage (III / 3)	250 V
Rated impulse voltage (III / 3)	4 kV
Rated current	20 A / 16 A
Internal wiring	2.5 mm ² / 1.5 mm ² (halogen-free)

**Distribution box; 230 V + SMI**

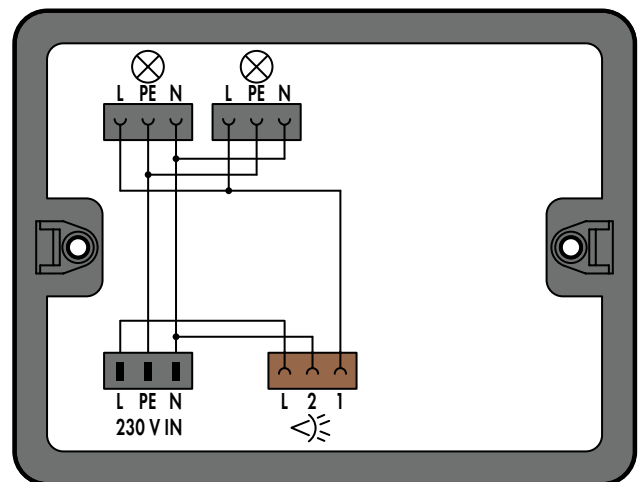
Color	Item No.	Pack. Unit
● black	899-631/421-000	1

Motion/Presence Detector**1 Input; 3 Outputs; A-, S-Coding; WINSTA® MIDI****Description**

This WINSTA® Box connects to one motion detector and two lights.

Technical Data

Rated voltage (III / 3)	250 V
Rated impulse voltage (III / 3)	4 kV
Rated current	25 A
Internal wiring	4 mm ²

**Distribution box; motion/presence detector**

Color	Item No.	Pack. Unit
● black	899-631/309-000	1

WINSTA® Boxes ▶ 899 Series

Motion/Presence Detector

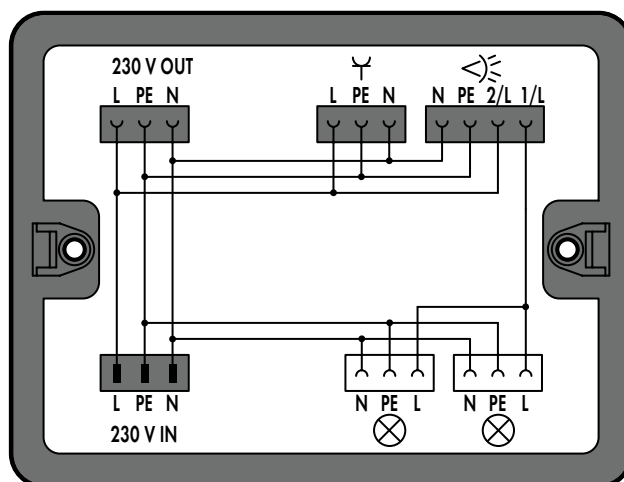
1 Input; 5 Outputs; A-Coding; WINSTA® MIDI

Description

This WINSTA® Box connects to one motion detector, two lights and one outlet.

Technical Data

Rated voltage (III / 3)	250 V
Rated impulse voltage (III / 3)	4 kV
Rated current	25 A
Internal wiring	4 mm ²



Distribution box; motion/presence detector

Color	Item No.	Pack. Unit
● black	899-631/180-000	1

On/Off Switching

1 Input; 7 Outputs; A-, S-Coding; WINSTA® MIDI

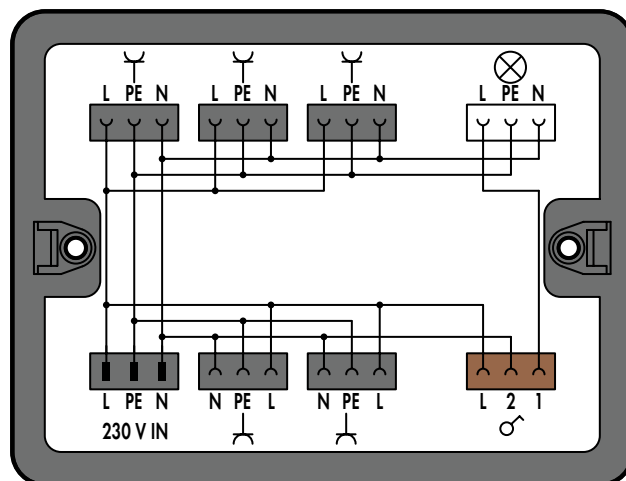
Description

This WINSTA® Box features one on/off switch with additional power outlets.

The distribution box is fitted on the 770-680 Mounting Plate.

Technical Data

Rated voltage (III / 3)	250 V
Rated impulse voltage (III / 3)	4 kV
Rated current	20 A
Internal wiring	2.5 mm ² (halogen-free)



Distribution box; on/off switching

Color	Item No.	Pack. Unit
● black	899-631/478-000	1

(III / 3) ≙ Overvoltage category III /
Pollution degree 3

Accessories, 899 Series Page 359

Coding Overview Page 372

Approvals, see www.wago.com

WINSTA® Boxes ▶ 899 Series

On/Off Switching

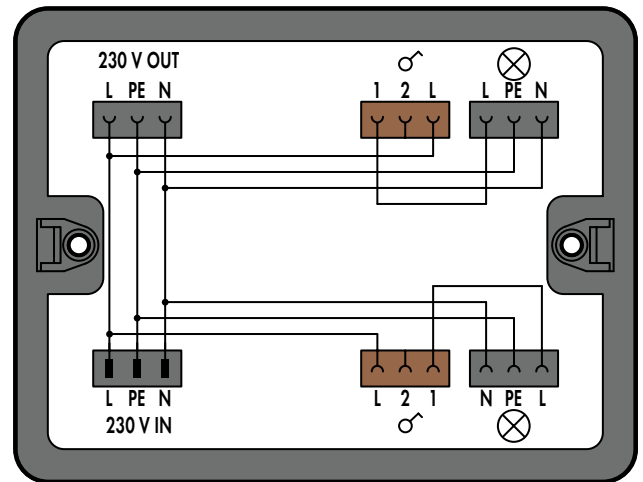
1 Input; 5 Outputs; A-, S-Coding; WINSTA® MIDI

Description

This WINSTA® Box features two on/off switches for one light each.

Technical Data

Rated voltage (III / 3)	250 V
Rated impulse voltage (III / 3)	4 kV
Rated current	25 A
Internal wiring	4 mm ²



Distribution box; on/off switching

Color	Item No.	Pack. Unit
● black	899-631/363-000	1

Series Switching

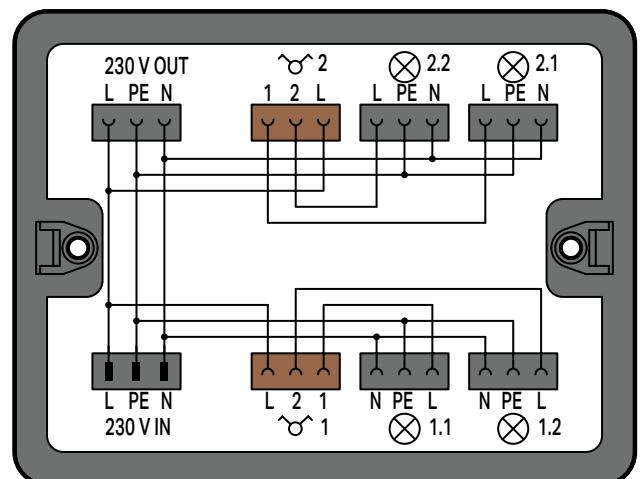
1 Input; 7 Outputs; A-, S-Coding; WINSTA® MIDI

Description

This WINSTA® Box features two series switches with pluggable connectors.

Technical Data

Rated voltage (III / 3)	250 V
Rated impulse voltage (III / 3)	4 kV
Rated current	25 A
Internal wiring	4 mm ²



Distribution box; series switching

Color	Item No.	Pack. Unit
● black	899-631/386-000	1

7

WINSTA® Boxes ▶ 899 Series

Changeover Switching

1 Input; 7 Outputs; A-, S-Coding; WINSTA® MIDI

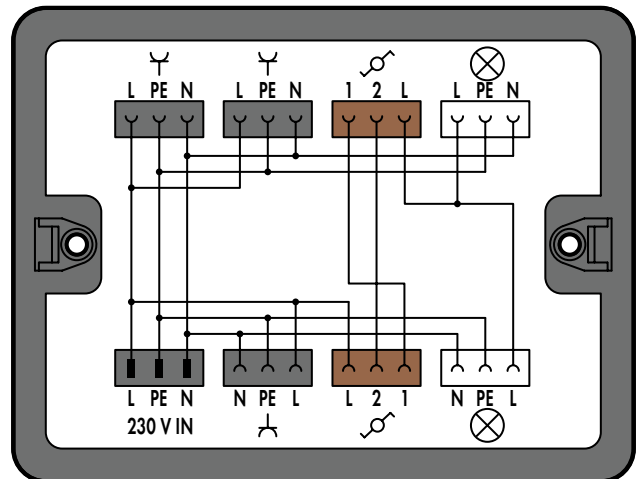
Description

This WINSTA® Box features two changeover switches and connects to power outlets.

The distribution box is fitted on the 770-680 Mounting Plate.

Technical Data

Rated voltage (III / 3)	250 V
Rated impulse voltage (III / 3)	4 kV
Rated current	25 A
Internal wiring	4 mm ²



Distribution box; changeover switching

Color	Item No.	Pack. Unit
● black	899-631/189-000	1

Changeover Switching

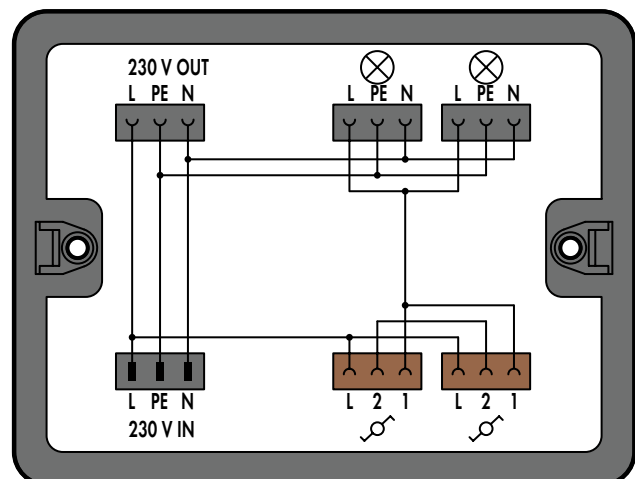
1 Input; 5 Outputs; A-, S-Coding; WINSTA® MIDI

Description

This WINSTA® Box features two changeover switches for two lights.

Technical Data

Rated voltage (III / 3)	250 V
Rated impulse voltage (III / 3)	4 kV
Rated current	25 A
Internal wiring	4 mm ²



Distribution box; changeover switching

Color	Item No.	Pack. Unit
● black	899-631/308-000	1

(III / 3) Δ Overvoltage category III /
Pollution degree 3

Accessories, 899 Series Page 359

Coding Overview Page 372

Approvals, see www.wago.com

WINSTA® Boxes ▶ 899 Series

Crossover Switching

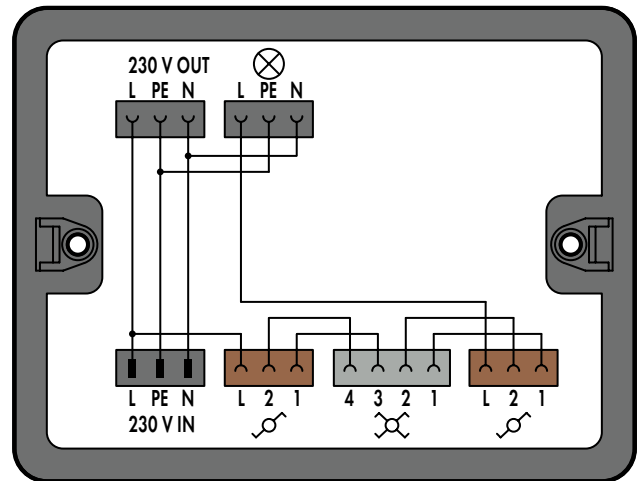
1 Input; 5 Outputs; A-, B-, S-Coding; WINSTA® MIDI

Description

This WINSTA® Box features one crossover switch.

Technical Data

Rated voltage (III / 3)	250 V
Rated impulse voltage (III / 3)	4 kV
Rated current	25 A
Internal wiring	4 mm ²



Distribution box; crossover switching

Color	Item No.	Pack. Unit
● black	899-631/305-000	1

Cable and Device Protection

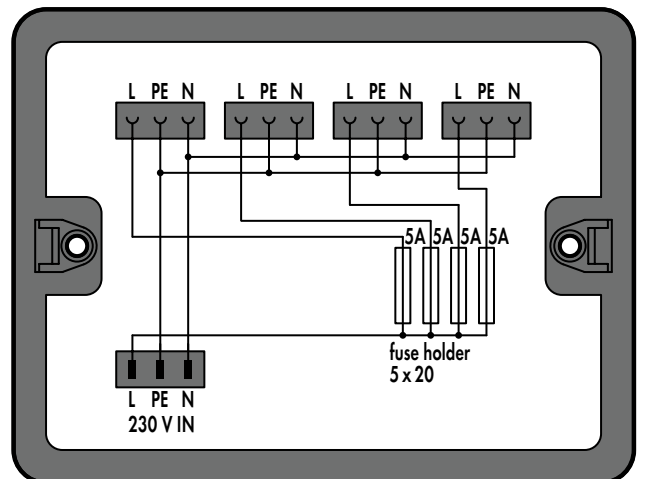
1 Input; 4 Outputs; A-Coding; WINSTA® MIDI

Description

This WINSTA® Box protects four components within a device (5 x 20 mm fuse holder). Power supply is performed using a 3-pole connecting cable.

Technical Data

Rated voltage (III / 3)	250 V
Rated impulse voltage (III / 3)	4 kV
Rated current	5 A
Internal wiring	2.5 mm ² (halogen-free)



Distribution box; cable and device protection

Color	Item No.	Pack. Unit
● black	899-631/315-000	1

WINSTA® Boxes ▶ 899 Series

Latching Relay

1 Input; 4 Outputs; A-, S-Coding; WINSTA® MIDI

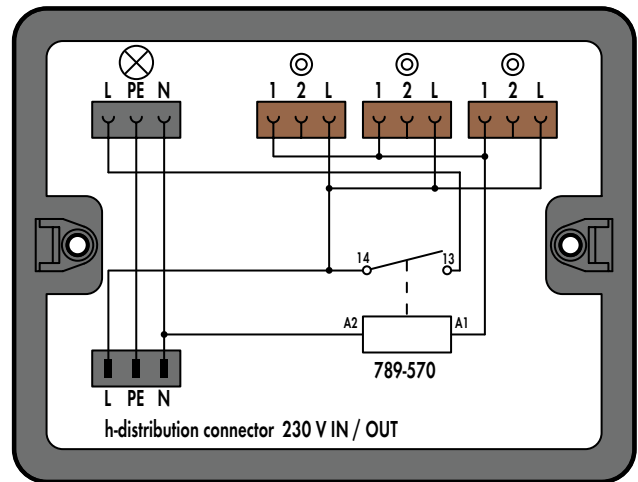
Description

This WINSTA® Box features one latching relay with three push-buttons and one light. Power supply (230 V, through wiring) is performed using the provided h-distribution connector.

Includes: One 770-633 h-Distribution Connector

Technical Data

Rated voltage (III / 3)	250 V
Rated impulse voltage (III / 3)	4 kV
Rated current	16 A
Internal wiring	2.5 mm ² (halogen-free)



Distribution box; latching relay		
Color	Item No.	Pack. Unit
● black	899-632/101-000	1

Latching Relay

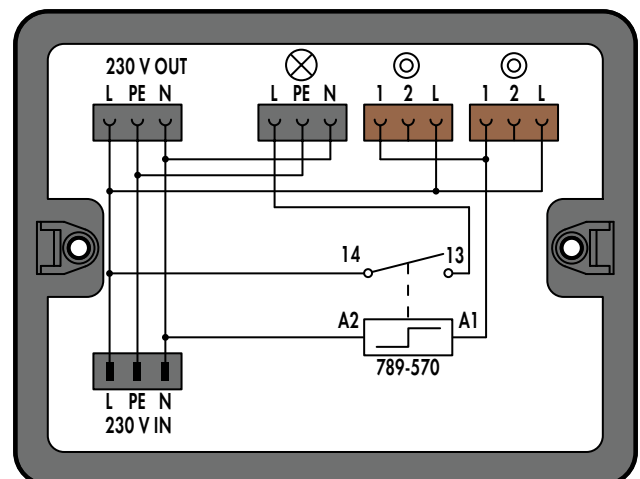
1 Input; 4 Outputs; A-, S-Coding; WINSTA® MIDI

Description

This WINSTA® Box features one latching relay with two push-buttons and one light.

Technical Data

Rated voltage (III / 3)	250 V
Rated impulse voltage (III / 3)	4 kV
Rated current	16 A
Internal wiring	2.5 mm ² (halogen-free)



Distribution box; latching relay		
Color	Item No.	Pack. Unit
● black	899-632/138-000	1

(III / 3) ± Overvoltage category III / Pollution degree 3

Accessories, 899 Series Page 359

Coding Overview Page 372

Approvals, see www.wago.com

WINSTA® Boxes ▶ 899 Series

Latching Relay

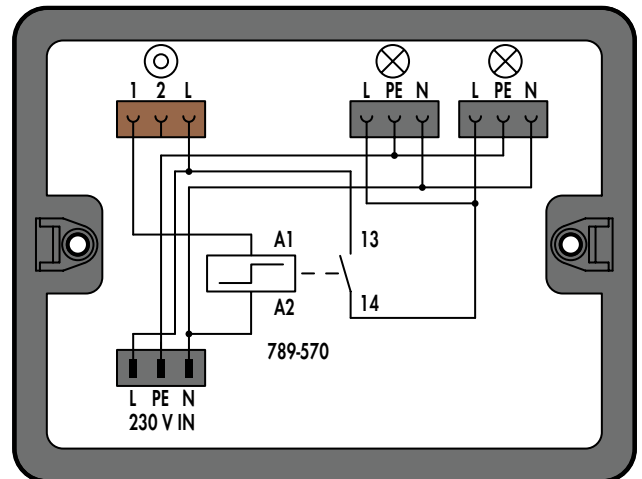
2 Inputs; 2 Outputs; A-, S-Coding; WINSTA® MIDI

Description

This WINSTA® Box features a latching relay with one push-button and two lights.

Technical Data

Rated voltage (III / 3)	250 V
Rated impulse voltage (III / 3)	4 kV
Rated current	16 A
Internal wiring	2.5 mm ² (halogen-free)



Distribution box; latching relay

Color	Item No.	Pack. Unit
● black	899-632/103-000	1

Relay Switching

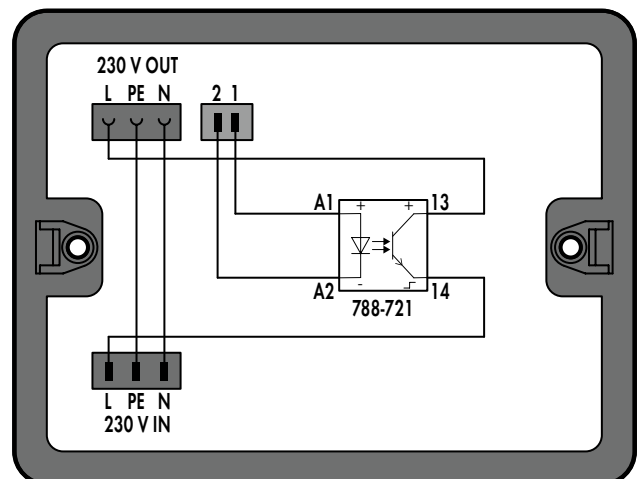
2 Inputs; 1 Output; A-, B-Coding; WINSTA® MINI; WINSTA® MIDI

Description

This WINSTA® Box features one solid-state relay and switches 230 V at the zero cross.

Technical Data

Rated voltage (III / 3)	250 V
Rated impulse voltage (III / 3)	4 kV
Rated current	4 A
Internal wiring	1.5 mm ² (halogen-free)



Distribution box; relay switching

Color	Item No.	Pack. Unit
● black	899-632/102-000	1

WINSTA® Boxes ▶ 899 Series Distribution Box for Self-Assembly

Description

This WINSTA® Box is designed for custom assembly/wiring and includes: 1 bottom, 1 lid, 2 sidewalls and 16 MIDI mounting pins.



Distribution box; for self-assembly		
Color	Item No.	Pack. Unit
● black	899-631	1
○ white	899-681	1

Distribution Box for Self-Assembly

Description

This WINSTA® Box is designed for custom wiring with an electronic module (1 module on DIN-35 rail) and includes: 1 bottom, 1 lid, 1 sidewall, 1 sidewall with DIN-35 rail and 10 MIDI mounting pins.



Distribution box; for self-assembly		
Color	Item No.	Pack. Unit
● black	899-632	1
○ white	899-682	1

(III / 3) ≙ Overvoltage category III /
Pollution degree 3

Accessories, 899 Series Page 359








Coding Overview Page 372

Approvals, see www.wago.com



WAGO Accessories and WAGO Tools

WAGO Accessories and WAGO Tools

	Page
	WAGOSTRIP® MINI; 890 Series Accessories 366
	WAGOSTRIP® MIDI; 770 Series Accessories 371
	WAGOSTRIP® RD; 774 Series Accessories 384
	WAGOSTRIP® Boxes; 899 Series Accessories 385
	WAGOSTRIP® IDC; 772, 895 and 897 Series Accessories 386
	Tools
	Operating Tools 392
	Wire strippers 394
	Stripping Pliers, Cable Cutters, Stripping Knives 395
	Cable cutters 396
	Wiring Aid 396
	Marking
	Markers 397
	Self-Adhesive Marking Strips 397

Accessories ▶ WINSTA® MINI ▶ 890, 891 Series



Locking lever; for flying leads; manually operated		
Color	Item No.	PU (SPU)
black	890-101	100(50)
white	890-121	100(50)

Mounting carrier; 2- to 5-pole; for flying leads		
Color	Item No.	PU
black	890-310	100
white	890-311	100

Lockout cap; for cutout; 2-pole		
Color	Item No.	PU
black	890-642	100
white	890-692	100



Lockout cap; for cutout; 3-pole		
Color	Item No.	PU
black	890-643	100
white	890-693	100

Lockout cap; for cutout; 4-pole		
Color	Item No.	PU
black	890-644	100
white	890-694	100

Locking lever; for flying leads; tool operated		
Color	Item No.	PU (SPU)
black	890-111	100(50)
white	890-131	100(50)

Lockout cap; for cutout; 5-pole		
Color	Item No.	PU
black	770-643	100
white	770-693	100

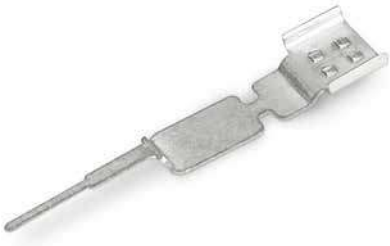


All connectors for mounted installations (snap-in versions, pluggable PCB connectors, distribution connectors) are factory-equipped with locking levers to ensure plugs and sockets are securely locked. Additional locking levers are only required for "flying leads" (plug/socket).

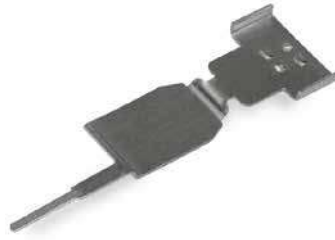
Locking connector via integrated lever.
Locking second connector for a secure connection.

Seal unused cutout with lockout cap.

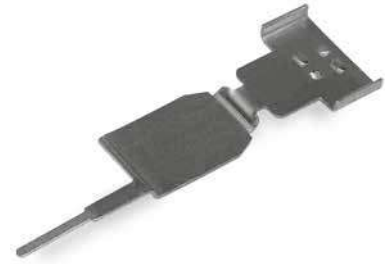
Accessories ▶ WINSTA® MINI ▶ 890 Series



Shield connecting plate; for 3-pole plugs and sockets		
Item No.	PU	
890-523	50	



Shield connecting plate; for socket; 4-pole		
Item No.	PU	
890-524	50	



Shield connecting plate; for socket; 5-pole		
Item No.	PU	
890-526	50	



Shield connecting plate; for plug; 4-pole		
Item No.	PU	
890-525	50	



Shield connecting plate; for plug; 5-pole		
Item No.	PU	
890-527	50	



Connector with shield termination

Accessories ▶ WINSTA® MINI ▶ 890 / 891 Series



Mounting plate for distribution connector; 2-pole

Color	Item No.	PU
black	890-1622	100
white	890-1672	100

Mounting pin; for mounting plates;
5 mm Ø; 0.2 ... 1.2 mm plate thickness

Color	Item No.	PU
black	890-601	250

Protective cap; type 1;
for 890 series: 2- and 3-pole
for 891 series: 2- and 3-pole

Color	Item No.	PU
red	897-2001	25

Mounting plate; for distribution connector; 3-pole

Color	Item No.	PU
black	890-623	100
white	890-673	100

Mounting plate; for distribution connector; 4-pole

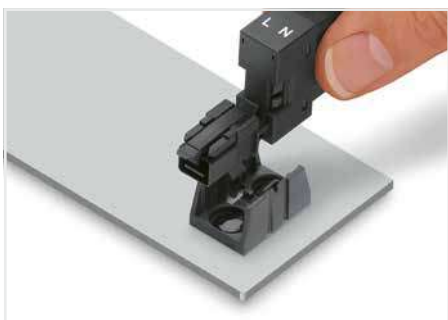
Color	Item No.	PU
black	890-624	50
white	890-674	50

Mounting plate; for distribution connector; 5-pole

Color	Item No.	PU
black	890-625	50
white	890-675	50

Protective cap; type 2;
for 890 series: 4- and 5-pole
for 891 series: 4- and 5-pole

Color	Item No.	PU
red	897-2003	25



The distribution connectors snap together when attached to the mounting plate.



Secure the mounting plate via pins.

Accessories ▶ WINSTA® MINI ▶ 890 Series

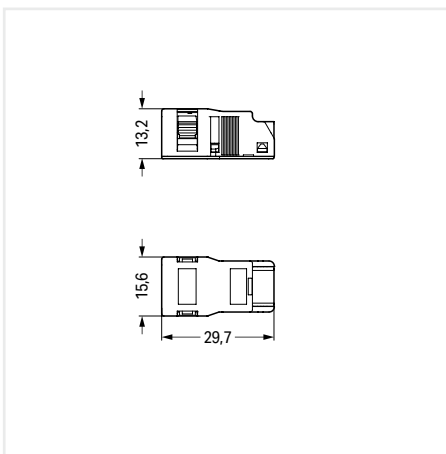
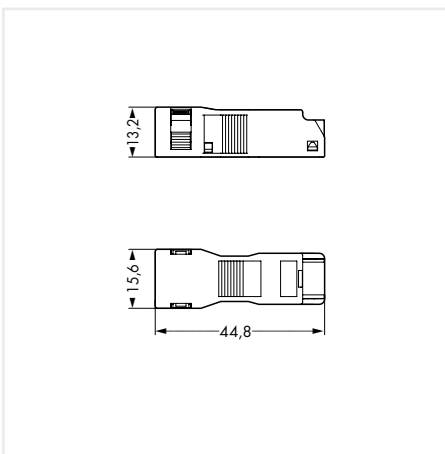


Strain relief housing;
for 3.8 ... 8.2 mm cable diameter; 32 mm strip length

Color	Item No.	PU
black	890-502	50
white	890-512	50

Strain relief housing; short;
for 3.8 ... 8.2 mm cable diameter; 17.5 mm strip length

Color	Item No.	PU
black	890-502/342-000	50
white	890-512/342-000	50



Accessories ▶ WINSTA® MINI ▶ 890 Series



Strain relief housing; for 4.5 ... 10 mm cable diameter; 40 mm strip length

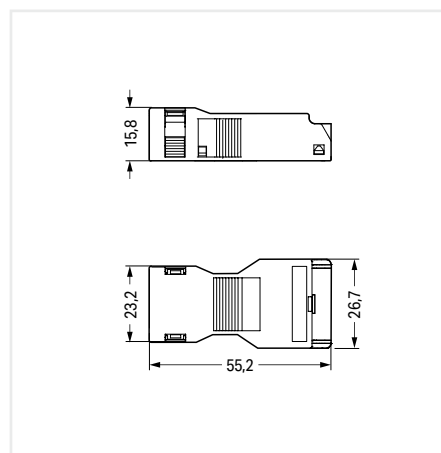
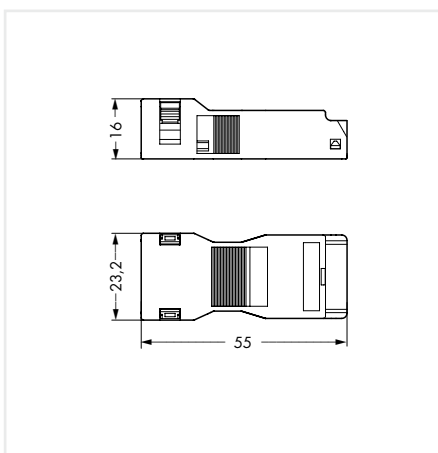
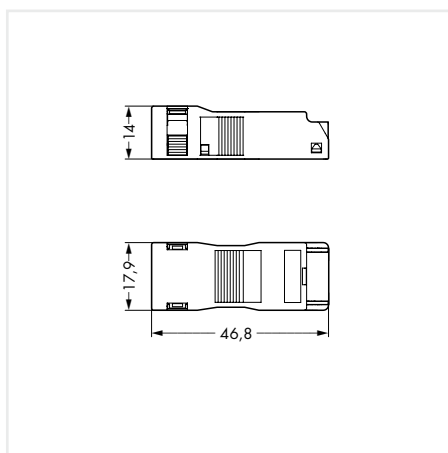
Color	Item No.	PU
black	890-503	50
white	890-513	50

Strain relief housing; for 6.5 ... 10.5 mm cable diameter; 45 mm strip length

Color	Item No.	PU
black	890-504	50
white	890-514	50

Strain relief housing; for 6.5 ... 10.5 mm cable diameter; 45 mm strip length

Color	Item No.	PU
black	890-505	50
white	890-515	50



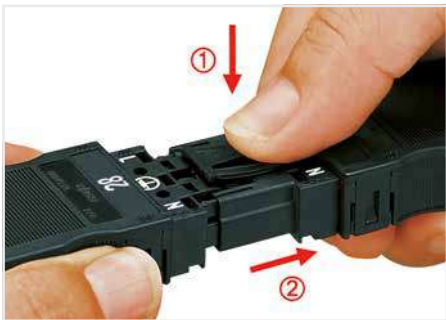
Accessories ▶ WINSTA® MIDI ▶ 770, 771 Series



Locking lever; for flying leads; manually operated		
Color	Item No.	PU (SPU)
black	770-101	100(25)
white	770-121	100(25)

Locking lever; oversized; tool operated		
Color	Item No.	PU (SPU)
gray	770-140	100(25)

Coding pin; for plug (A- and B-coding)		
Color	Item No.	PU
gray	770-401	100



Locking lever, manually operated:

- Push on locking lever
- Pull the connectors apart



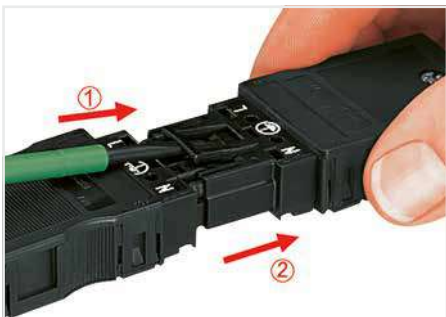
Snap-in connector with protruding locking lever



Insert coding pin into the plug.



Locking lever; for flying leads; tool operated		
Color	Item No.	PU (SPU)
black	770-111	100(25)
white	770-131	100(25)



Locking lever, tool operated:

- Unlatch locking lever
- Pull the connectors apart

PU = Packaging Unit; SPU = Subpackaging Unit; Dimensions in mm

Accessories ▶ WINSTA® MIDI ▶ 770, 771 Series



Mounting carrier; 2- to 5-pole; for flying leads

Color	Item No.	PU
black	770-310	100



Lockout cap; for socket; separable; 12-pole

Color	Item No.	PU
black	770-201	100
white	770-221	100



Lockout cap; for cutout; 3-pole

Color	Item No.	PU
black	770-643	100
white	770-693	100

Lockout cap; for cutout; 4-pole

Color	Item No.	PU
black	770-644	100
white	770-694	100

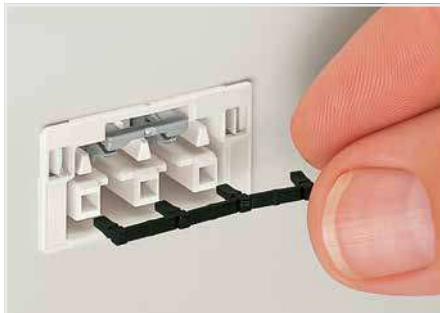
Lockout cap; for cutout; 5-pole

Color	Item No.	PU
black	770-645	100
white	770-695	100



Lockout cap; for plug; separable; 5-pole

Color	Item No.	PU
gelb	770-360	100



Seal an unmated socket by simply inserting a lockout cap. This prevents the smallest particles from entering the socket.



Seal unused cutout with lockout cap.

Accessories ▶ WINSTA® MIDI ▶ 770 Series



Protective cap; type 2;
for 770 series: 2-pole
for 771 series: 2- and 3-pole

Color	Item No.	PU
red	897-2003	25



Mounting plate for distribution connector; 2-pole

Color	Item No.	PU
black	770-1626	25
white	770-1627	25



Mounting pin; for mounting plates; 6 mm Ø; 1 ... 2.5 mm plate thickness

Color	Item No.	PU
black	770-601	250



Protective cap; type 4;
for 770 series: 4- and 5-pole
for 771 series: 5-pole

Color	Item No.	PU
red	897-2005	25

Mounting plate; for distribution connector; 3-pole

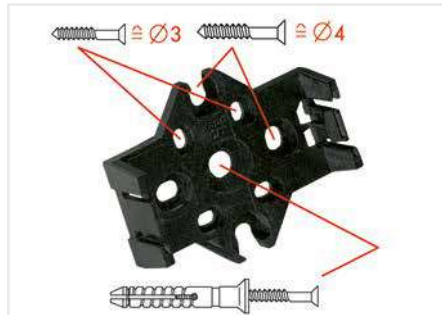
Color	Item No.	PU
black	770-623	25
white	770-673	25

Mounting plate; for distribution connector; 4-pole

Color	Item No.	PU
black	770-624	25
white	770-674	25

Mounting plate; for distribution connector; 5-pole

Color	Item No.	PU
black	770-625	25
white	770-675	25



Mounting plates can be secured using commercially available screws or nail-drive anchors.



The mounting plate can be centrally mounted, or attached via outboard attachment points using 770-601 Mounting Pins.

Accessories ▶ WINSTA® MIDI ▶ 770 Series

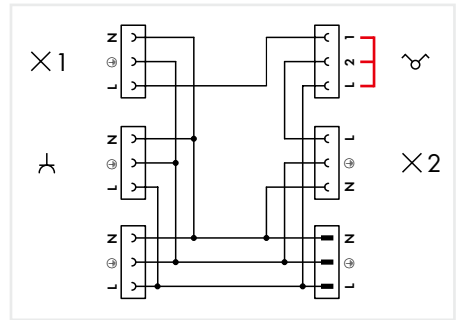
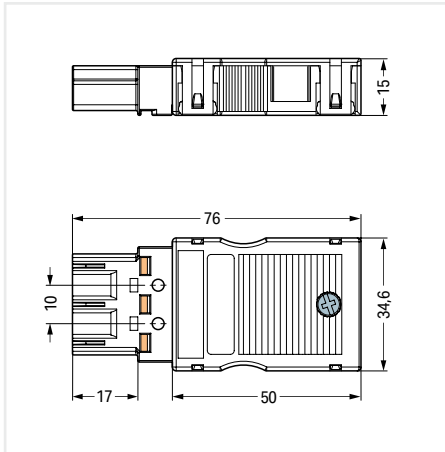
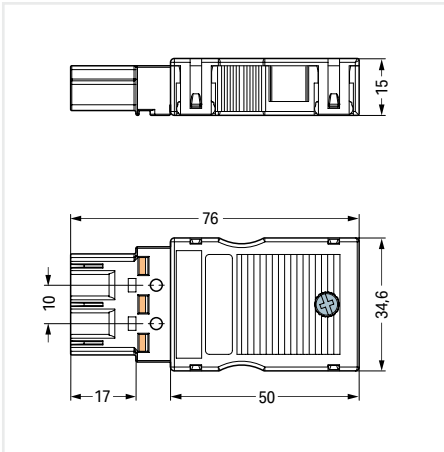


Shorting plug; S-coding; brown plug with assembled strain relief housing and bridge

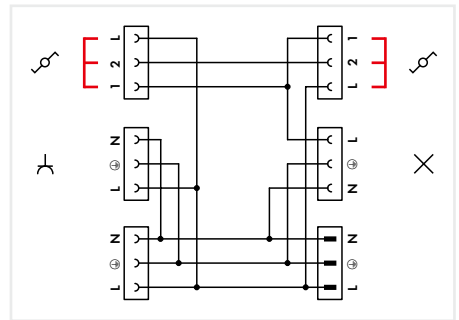
Color/Marking	Item No.	PU
	770-1373/146-000	50
	770-1373/147-000	50
	770-1373/148-000	50
	770-1373/149-000	50

Shorting plug; A-coding; black plug with assembled strain relief housing and bridge

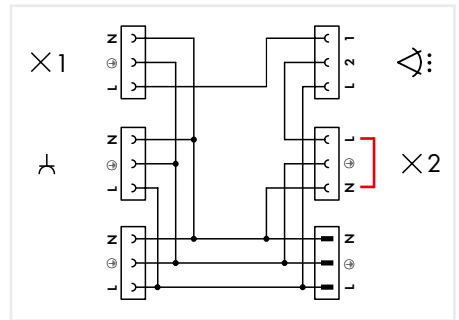
Color/Marking	Item No.	PU
	770-113/147-000	50



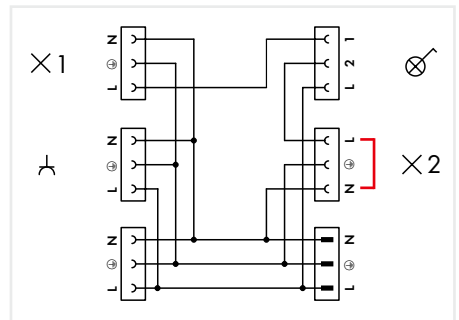
Internal circuit of 770-637 Distribution Connector with possible insertion position of 770-1373/14x-000 Shorting Plug.



Internal circuit of 770-638 Distribution Connector with possible insertion positions of 770-1373/14x-000 Shorting Plug.



Internal circuit of 770-637 Distribution Connector with insertion position of 770-113/147-000 Shorting Plug for connecting a motion sensor.



Internal circuit of 770-637 Distribution Connector with insertion position of 770-113/147-000 Shorting Plug for connecting a switch with control lamp.

Accessories ▶ WINSTA® MIDI ▶ 770 Series



Shield connecting plate; for 3-pole plugs and sockets

Item No.	PU
770-523	25

Strain relief housing; for one cable; 5 ... 9 mm cable diameter; 35 mm strip length

Color	Item No.	PU
black	770-502/042-000	50
white	770-512/042-000	50

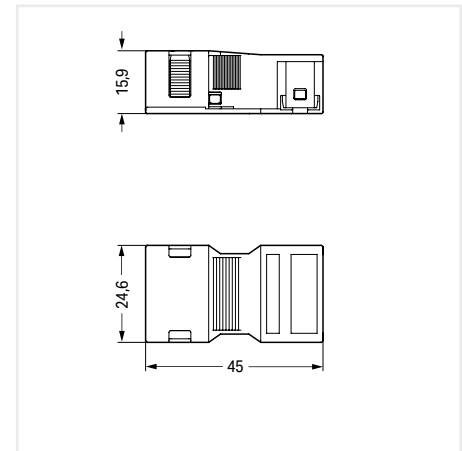
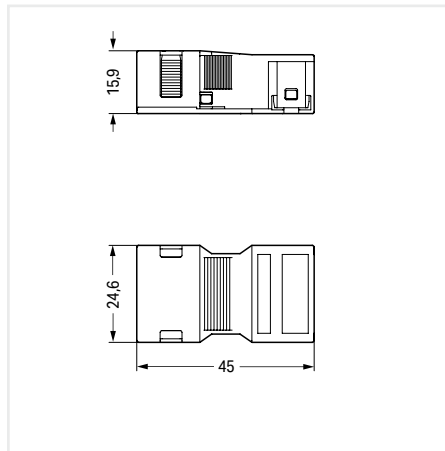
Strain relief housing; for one cable; 7 ... 10.5 mm cable diameter; 35 mm strip length

Color	Item No.	PU
black	770-502/041-000	50
white	770-512/041-000	50



Shield connecting plate; for 5-pole sockets; for two cables

Item No.	PU
770-526	25



Shield connecting plate; for 5-pole plugs; for two cables

Item No.	PU
770-527	25



Connector with shield termination

PU = Packaging Unit; SPU = Subpackaging Unit; Dimensions in mm

Accessories ▶ WINSTA® MIDI ▶ 770 Series 3-Pole



Strain relief housing; for two cables;
for 4.5 ... 8 mm cable diameter; 55 mm strip length

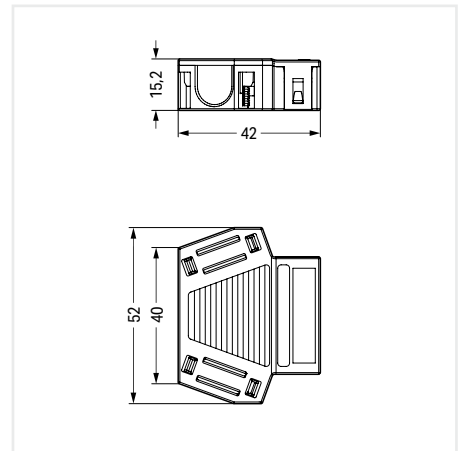
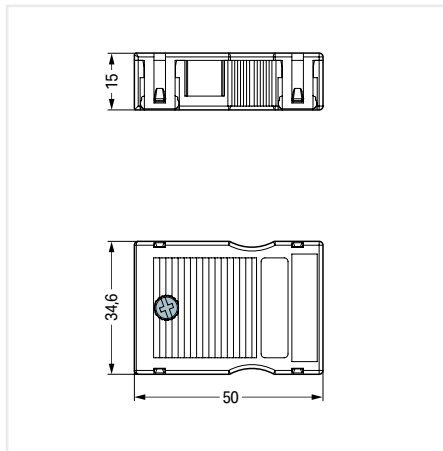
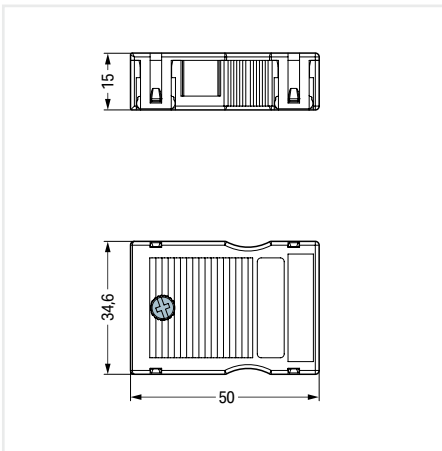
Color	Item No.	PU
black	770-503/023-000	50
white	770-513/023-000	50

Strain relief housing; for two cables;
for 8 ... 11.5 mm cable diameter; 55 mm strip length

Color	Item No.	PU
black	770-503	50
white	770-513	50

Strain relief housing; angled; for two cables;
for 8 ... 11.5 mm cable diameter; 55 mm strip length

Color	Item No.	PU
black	770-503/032-000	25
white	770-513/032-000	25



Accessories ▶ WINSTA® MIDI ▶ 770 Series 3-Pole



Strain relief housing; for 4 mm² cables; for one cable;
9 ... 13 mm cable diameter; 71 mm strip length

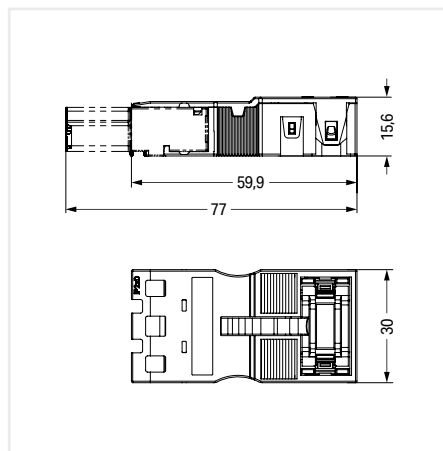
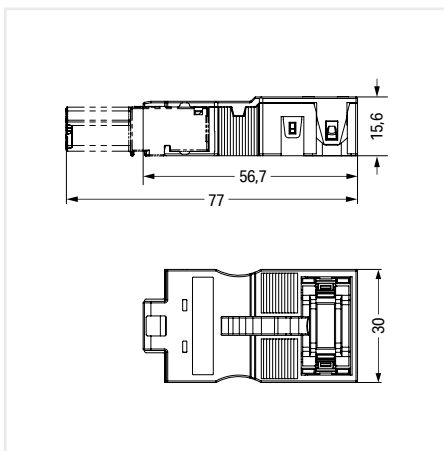
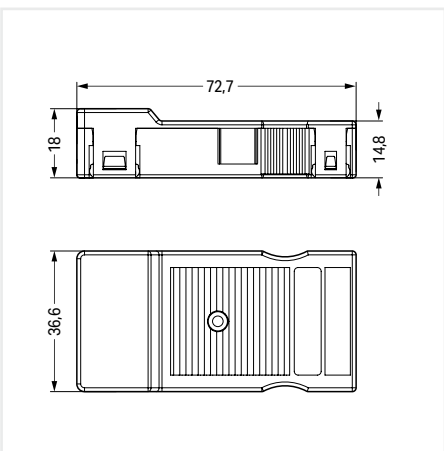
Color	Item No.	PU
black	770-503/021-000	50
white	770-513/021-000	50

Strain relief housing; for quick assembly; for one cable;
7 ... 11.5 mm cable diameter; 48 mm strip length

Color	Item No.	PU
black	770-503/035-000	50
white	770-513/035-000	50

Strain relief housing; IP 2xD; for one cable;
7 ... 11.5 mm cable diameter; 48 mm strip length

Color	Item No.	PU
black	770-503/038-000	50
white	770-513/038-000	50



PU = Packaging Unit; SPU = Subpackaging Unit; Dimensions in mm

Accessories ▶ WINSTA® MIDI ▶ 770 Series 4-Pole

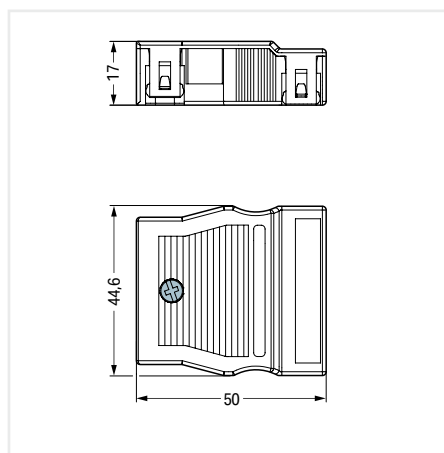
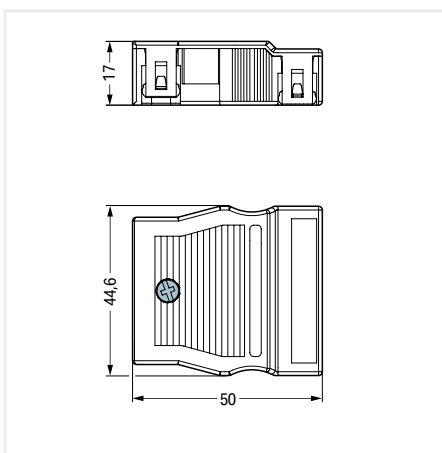


Strain relief housing; for two cables; for 5 ... 9 mm cable diameter; 55 mm strip length

Color	Item No.	PU
black	770-504/023-000	50
white	770-514/023-000	50

Strain relief housing; for two cables; for 9 ... 13 mm cable diameter; 55 mm strip length

Color	Item No.	PU
black	770-504	50
white	770-514	50



Accessories ▶ WINSTA® MIDI ▶ 770 Series 5-Pole



Strain relief housing; for two cables; for 5 ... 9 mm cable diameter; 55 mm strip length

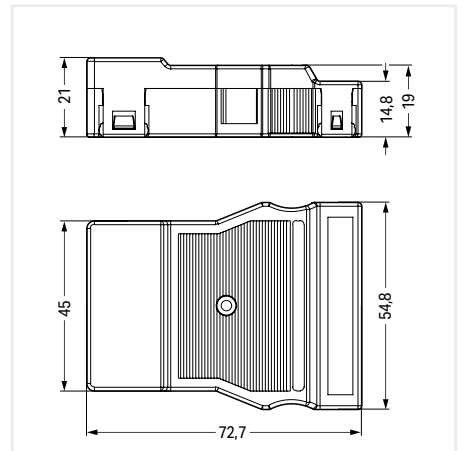
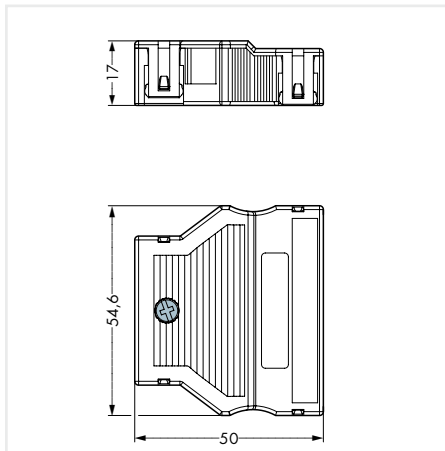
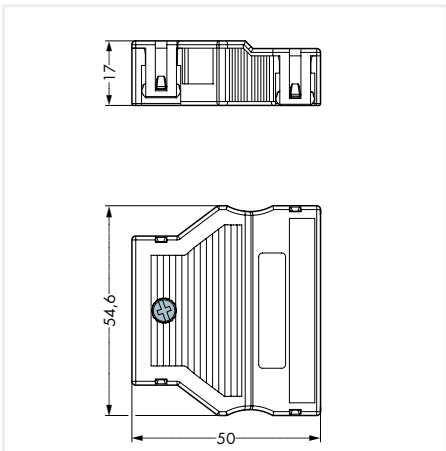
Color	Item No.	PU
black	770-505/023-000	25
white	770-515/023-000	25

Strain relief housing; for two cables; for 9 ... 13 mm cable diameter; 55 mm strip length

Color	Item No.	PU
black	770-505	25
white	770-515	25

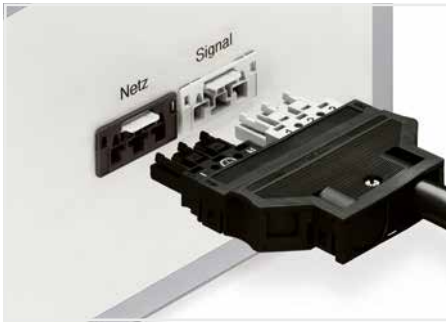
Strain relief housing; for one cable; 11.5 ... 16.5 mm cable diameter; 71 mm strip length

Color	Item No.	PU
black	770-505/021-000	25
white	770-515/021-000	25



PU = Packaging Unit; SPU = Subpackaging Unit; Dimensions in mm

Accessories ▶ WINSTA® MIDI ▶ 770 Series 6-Pole



Snap-on type strain relief housings for:

- two 3-pole sockets
- two 3-pole plugs
- 3-pole socket and plug



Strain relief housing; for two cables;
for 8.5 ... 13.5 mm cable diameter; 55 mm strip length

Color	Item No.	PU
black	770-506/029-000	20
white	770-516/029-000	20

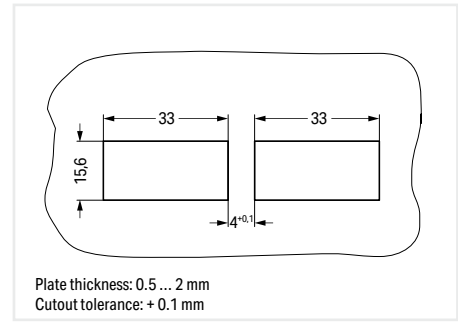
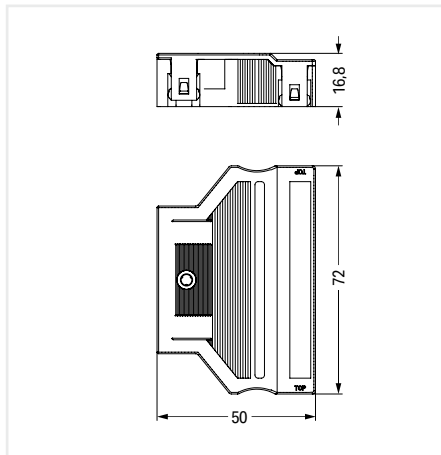
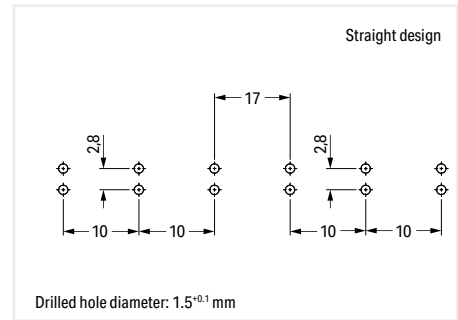


Plate thickness: 0.5 ... 2 mm
Cutout tolerance: + 0.1 mm

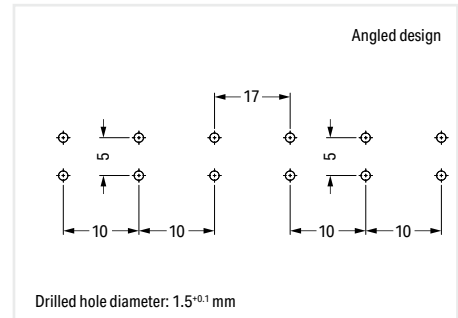
Using a 6-pole strain relief housing with snap-in connectors requires the cutout dimensions shown above.



Straight design

Drilled hole diameter: 1.5^{+0.1} mm

Using a straight, 6-pole PCB connector requires the hole patterns shown above.



Angled design

Drilled hole diameter: 1.5^{+0.1} mm

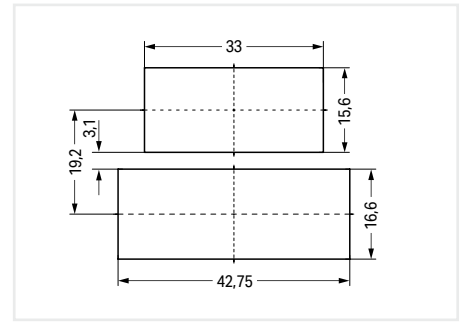
Using an angled, 6-pole PCB connector requires the hole patterns shown above.

Accessories ▶ WINSTA® MIDI ▶ 770 Series 7-Pole



Snap-on type strain relief housings for:

- 3-pole socket or plug
- 4-pole socket or plug



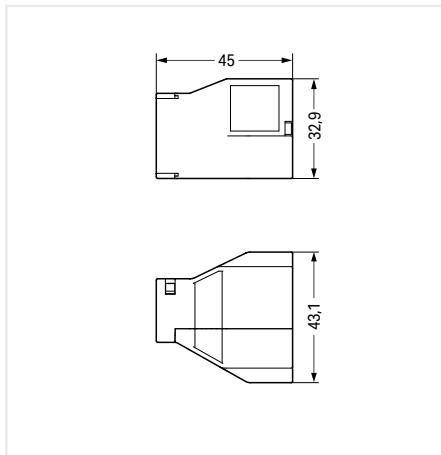
Using a 7-pole strain relief housing with snap-in connectors requires the cutout dimensions shown above.

Strain relief housing; for one cable; 8 ... 15 mm cable diameter; 55 mm strip length

Color	Item No.	PU
black	770-507/047-000	200
white	770-517/047-000	200



Flying leads
(NOTICE: Only use locking levers on upper position)



Flying leads

Accessories ▶ WINSTA® MIDI ▶ 770 Series



Insert the socket or plug into the frame (observe the "TOP" marking on the frame!), then snap the assembled unit into the cutout (example shows a 3-pole connector).

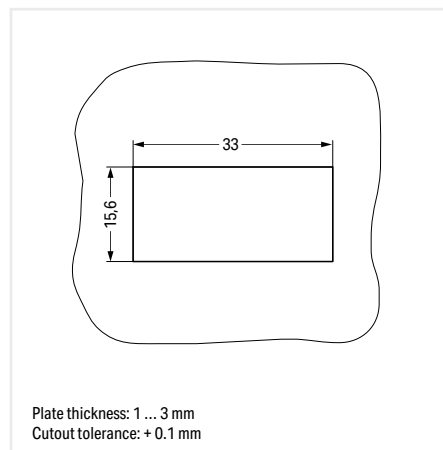
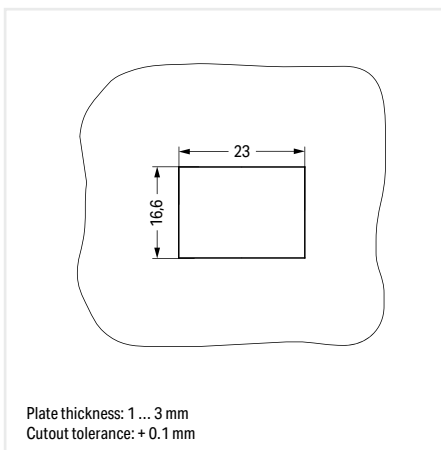
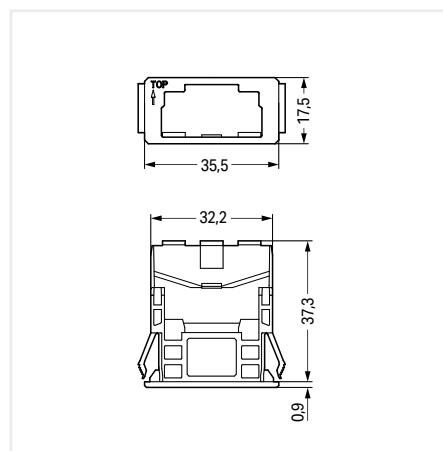
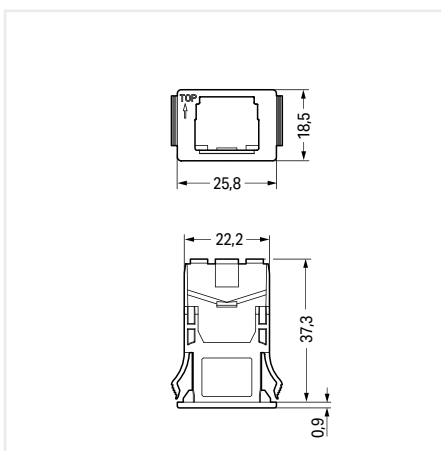


Snap-in frame; for 2-pole sockets and plugs;
for 1 ... 3 mm plate thickness

Color	Item No.	PU
black	770-317	100
white	770-337	100

Snap-in frame; for 3-pole sockets and plugs;
for 1 ... 3 mm plate thickness

Color	Item No.	PU
black	770-318	100
white	770-338	100



Accessories ▶ WINSTA® MIDI ▶ 770 Series



Snap-in frame; for 4-pole sockets and plugs;
for 1 ... 3 mm plate thickness

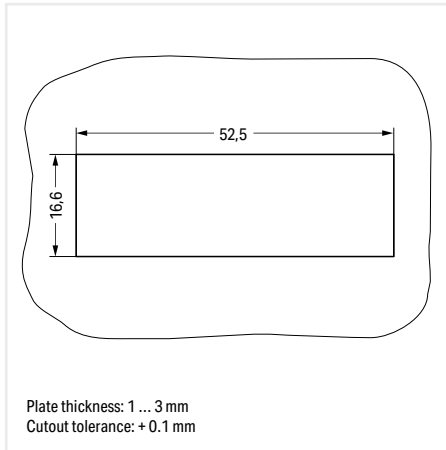
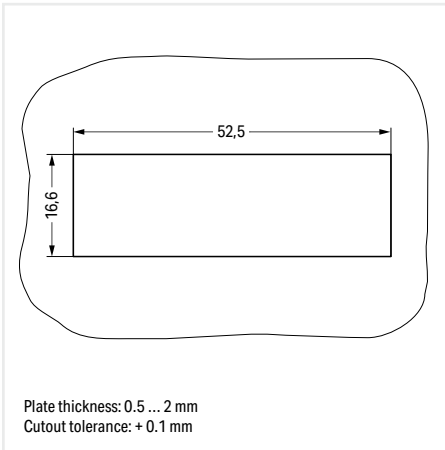
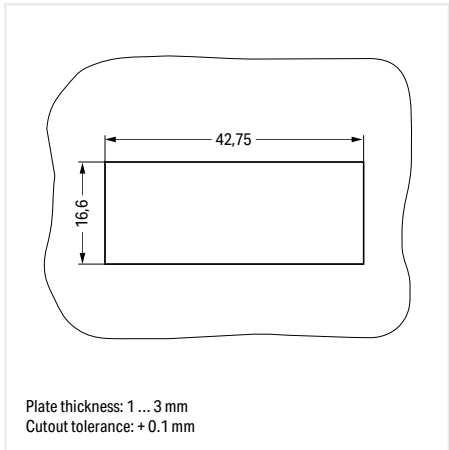
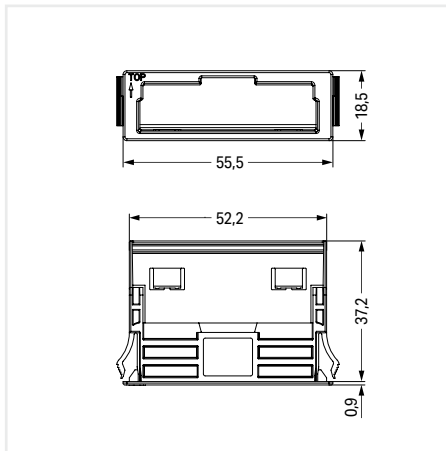
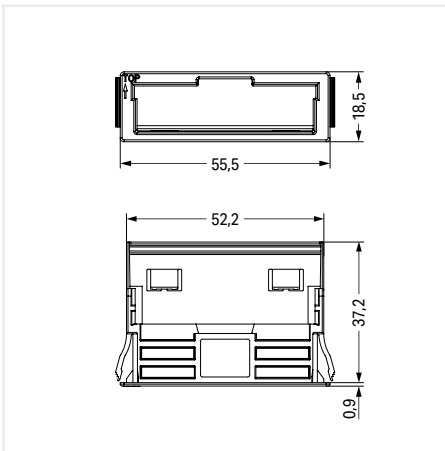
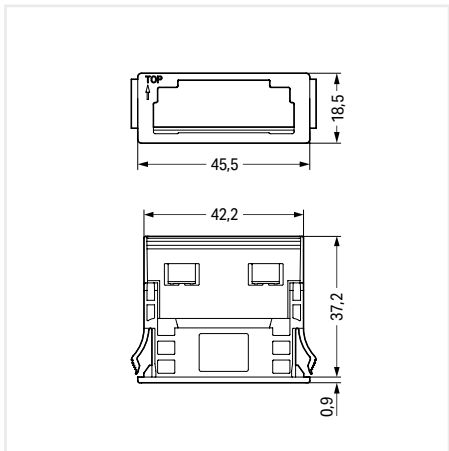
Color	Item No.	PU
black	770-319	100
white	770-339	100

Snap-in frame; for 5-pole sockets and plugs;
for 0.5 ... 2 mm plate thickness

Color	Item No.	PU
black	770-321	100
white	770-341	100

Snap-in frame; for 5-pole sockets and plugs;
for 1 ... 3 mm plate thickness; for A-coding/B/I/P/Q

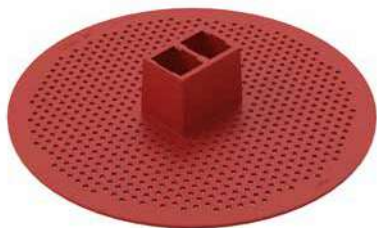
Color	Item No.	PU
black	770-320	100
white	770-340	100



PU = Packaging Unit; SPU = Subpackaging Unit; Dimensions in mm

Accessories ▶ WINSTA® MIDI ▶ 770 Series

Accessories ▶ WINSTA® RD ▶ 774 Series



Mounting plate; for Snap-in; Plastic; for detectors and sensors; Ø 200 mm

Color	Item No.	PU
red	897-2100	25

Snap-in frame; Plastic; for flexible plastic conduits; Ø 16 mm

Color	Item No.	PU
red	897-2105	25

Protective cap; type 1; for 774 series: 3- and 4-pole

Color	Item No.	PU
red	897-2001	25

Accessories ▶ WINSTA® Boxes ▶ 899 Series



Adapter for distribution boxes; for WINSTA® MINI connectors; 2-pole		
Color	Item No.	PU
gray	890-302	50

Mounting pin for distribution boxes; for WINSTA® MIDI connectors		
Color	Item No.	PU
gray	770-630	100

Mounting plate; for distribution boxes		
	Item No.	PU
	770-680	25

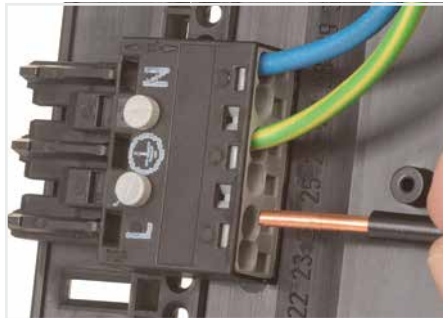
Adapter for distribution boxes; for WINSTA® MINI connectors; 3-pole		
Color	Item No.	PU
gray	890-303	50

Adapter for distribution boxes; for WINSTA® MINI connectors; 4-pole		
Color	Item No.	PU
gray	890-304	50

Adapter for distribution boxes; for WINSTA® MINI connectors; 5-pole		
Color	Item No.	PU
gray	890-305	50



Using adapters to install WINSTA® MINI connectors in a distribution box.



Using mounting pins to secure WINSTA® MIDI connectors in a distribution box.



Wall-mounted WINSTA® Distribution Box

Accessories ▶ WINSTA® IDC ▶ 772 Series



Mounting plate; for supply and tap-off modules

Color	Item No.	PU
black	772-260	10



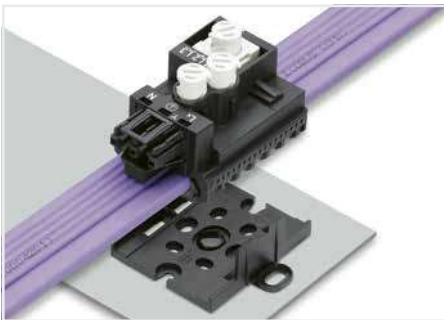
Mounting pin; for mounting plates; 6 mm Ø; 1 ... 2.5 mm plate thickness

Color	Item No.	PU
black	770-601	250



Lockout cap; for socket; separable; 12-pole

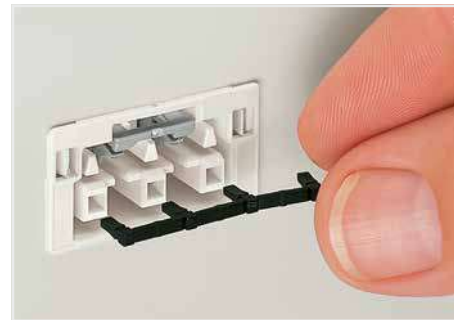
Color	Item No.	PU
black	770-201	100
white	770-221	100



Snapping a supply or tap-off module onto a mounting plate.



The mounting plate can be centrally mounted, or attached via outboard attachment points using 770-601 Mounting Pins.



Seal an unmated socket by simply inserting a lockout cap. This prevents the smallest particles from entering the socket.

Accessories ▶ WINSTA® IDC ▶ 895 Series



Cable fitting; M 40 x 1.5; clamping range: 20 ... 26 mm Ø; with O-ring gasket; plastic

Color	Item No.	PU
black	895-1601	5

Cable fitting; M 25 x 1.5; clamping range: 20 ... 26 mm Ø; with O-ring gasket; brass

Color	Item No.	PU
	895-1604	5

Filler plug; M 25 x 1.5; with O-ring gasket; plastic

Color	Item No.	PU
black	895-1605	5

Cable fitting; M 25 x 1.5; clamping range: 9 ... 16 mm Ø; with O-ring gasket; plastic

Color	Item No.	PU
gray	895-1602	5

Cable fitting; M 25 x 1.5; clamping range: 13 ... 18 mm Ø; with O-ring gasket; plastic

Color	Item No.	PU
gray	895-1603	5



Tap-off module with brass cable fitting

Accessories ▶ WINSTA® IDC ▶ 897 Series



Mounting clamp; for screw mounting; for 2 x 1.5 mm², 5 x 2.5 mm², 5 x 4 mm² and 5 x 2.5 mm² + 2 x 1.5 mm² flat cables

Color	Item No.	PU
gray	897-878	100

Mounting clamp; for screw mounting; for 3 x 2.5 mm² flat cables

Color	Item No.	PU (SPU)
dark gray	897-839	200(25)

Mounting clamp; for screw mounting; for 5 x 10 mm² flat cables

Color	Item No.	PU
dark gray	897-859	100

Accessories ▶ WINSTA® IDC ▶ 897 Series



Flat cable end cover; for 2 x 1.5 mm² flat cables; plastic		
Color	Item No.	PU
transparent	897-120	10

Flat cable end cover; for 3 x 2.5 mm² flat cables; plastic		
Color	Item No.	PU
transparent	897-230	25

Flat cable end cover; for 5 x 2.5 mm² and 5 x 4 mm² flat cables; plastic		
Color	Item No.	PU
transparent	897-250	25

Flat cable end cover; for 5 x 2.5 mm² and 2 x 1.5 mm² flat cables; plastic		
Color	Item No.	PU
transparent	897-260	25

Flat cable end cover; for 5 x 10 mm² flat cables; plastic		
Color	Item No.	PU
transparent	897-1050	10

Flat cable end cover; for 5 x 16 mm² flat cables; plastic		
Color	Item No.	PU
transparent	897-1650	4

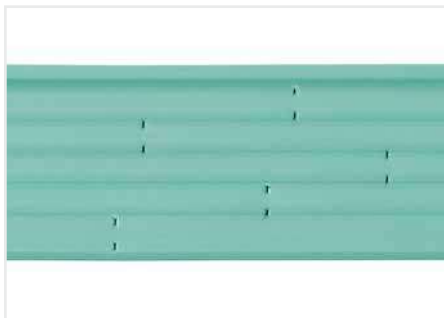


Fit end cover to each flat cable end.



Insulating tape; for 2 x 1.5 mm² to 5 x 10 mm² flat cables		
Color	Item No.	PU
black	897-900	10

Insulating tape; for 5 x 16 mm² flat cables		
Color	Item No.	PU
black	897-901	10

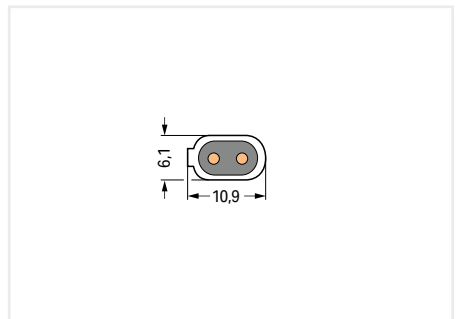


Use insulating tape to seal the contact holes in the flat cable after removing a module.



Flat cable; E _{ca'} ; 2 x 1.5 mm²; PVC		
Color	Item No.	PU
light gray	897-121	1

Flat cable; D _{ca'} ; 2 x 1.5 mm²; halogen-free		
Color	Item No.	PU
light gray	897-122	1



Accessories ▶ WINSTA® IDC ▶ 897 Series

Flat cable; E_{ca}; 3 x 2.5 mm²; PVC

Color	Item No.	PU
light gray	897-231	1

Flat cable; B2_{ca}; 3 x 2.5 mm²; halogen-free

Color	Item No.	PU
light gray	897-232	1

Flat cable; E_{ca}; 5 x 2.5 mm²; PVC

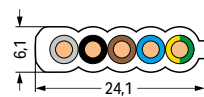
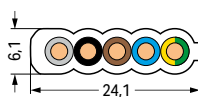
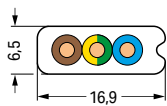
Color	Item No.	PU
light green	897-251	1

Flat cable; B2_{ca}; 5 x 2.5 mm²; halogen-free

Color	Item No.	PU
light green	897-252	1

Flat cable; 5 x 4 mm²; halogen-free

Color	Item No.	PU
black	897-453	1



Accessories ▶ WINSTA® IDC ▶ 897 Series

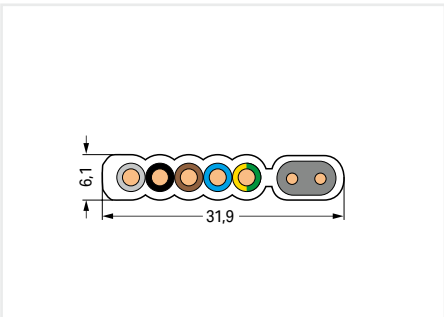


Flat cable; E_{ca'}; 5 x 2.5 mm² + 2 x 1.5 mm²; PVC

Color	Item No.	PU
violett	897-261	1

Flat cable; C_{ca'}; 5 x 2.5 mm² + 2 x 1.5 mm²; halogen-free

Color	Item No.	PU
violett	897-262	1

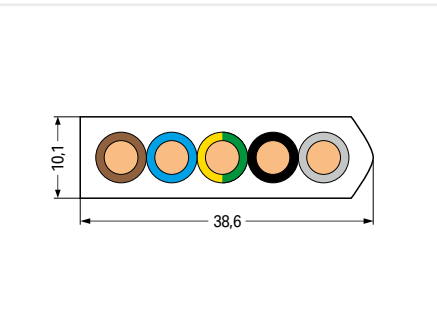


Flat cable; E_{ca'}; 5 x 10 mm²; PVC

Color	Item No.	PU
light gray	897-1051	1

Flat cable; B2_{ca'}; 5 x 10 mm²; halogen-free

Color	Item No.	PU
light gray	897-1052	1

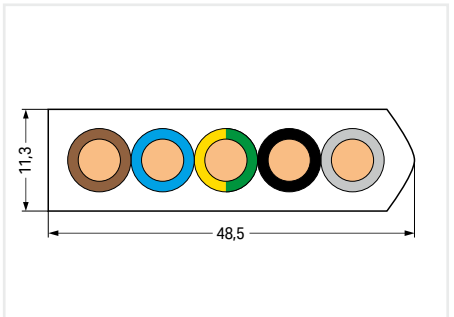


Flat cable; E_{ca'}; 5 x 16 mm²; PVC

Color	Item No.	PU
light gray	897-1651	1

Flat cable; B2_{ca'}; 5 x 16 mm²; halogen-free

Color	Item No.	PU
light gray	897-1652	1



PU = Packaging Unit; SPU = Subpackaging Unit; Dimensions in mm

Operating Tools ► WINSTA®



Operating tool with a partially insulated shaft; type 1; (2.5 x 0.4) mm blade

Color	Item No.	PU
multicoloured	210-719	50

Operating tool with a partially insulated shaft; type 2; (3.5 x 0.5) mm blade

Color	Item No.	PU
multicoloured	210-720	50

Operating tool with a partially insulated shaft; type 3; (5.5 x 0.8) mm blade

Color	Item No.	PU
multicoloured	210-721	25

Operating tool set; with a partially insulated shaft; includes 210-719, 210-720 and 210-721

Color	Item No.	PU
multicoloured	210-722	1



The blade dimensions of the above-listed operating tools are ideal for operating both WINSTA® Plugs and Sockets.



Set of operating tools in a box

Operating Tools ▶ WINSTA®



Operating tool with a partially insulated shaft; (6.5 x 1.4) mm blade		
Color	Item No.	PU
multicoloured	210-636	50

Operating tool; short version; (6.5 x 1.4) mm		
Color	Item No.	PU
multicoloured	210-635	30



Operating tool; partially insulated; for WINSTA® MINI connectors; 2-pole		
Color	Item No.	PU
green	890-382	50

Operating tool; partially insulated; for WINSTA® MINI connectors; 3-pole		
Color	Item No.	PU
green	890-383	50

Operating tool; partially insulated; for WINSTA® MINI connectors; 4-pole		
Color	Item No.	PU
green	890-384	50

Operating tool; partially insulated; for WINSTA® MINI connectors; 5-pole		
Color	Item No.	PU
green	890-385	50

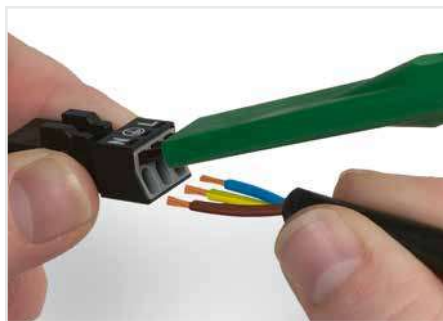


Operating tool; partially insulated; for WINSTA® MIDI connectors; 2-pole		
Color	Item No.	PU
green	770-382	50

Operating tool; partially insulated; for WINSTA® MIDI connectors; 3-pole		
Color	Item No.	PU
green	770-383	50



Operating tools are ideally suited to operate IDC modules (772 Series).



To terminate fine-stranded conductors, open clamping units via operating tool (890-383) and insert stripped conductors until they hit backstop.


Stripping Tools ▶ WINSTA®





Cable knife; for Ø 8 ... 28 mm / 0.31 ... 1.10 inch; with a unique, changeable cable bracket system; including cable bracket


	Item No.	Pack. Unit
	206-1403	1


Item-Specific Accessories

Cable bracket; for Ø 4 ... 16 mm / 0.16 ... 0.63 inch		
	206-1411	1


Cable bracket; for Ø 8 ... 28 mm / 0.31 ... 1.10 inch		
	206-1412	1

Cable bracket; for Ø 27 ... 35 mm / 1.06 ... 1.38 inch		
	206-1413	1

Cable bracket; for Ø 35 ... 50 mm / 1.38 ... 1.97 inch		
	206-1414	1

Cable bracket; for Ø 50 ... 70 mm / 1.97 ... 2.75 inch		
	206-1415	1

Accessories


Spare inside blade		
	206-1418	3





Wire stripper "Quickstrip Vario"; 0.03 ... 16 mm² / 34 ... 6 AWG; with wire cutter


	Item No.	Pack. Unit
	206-1125	1

Accessories

Blade set; Standard; 0.03 ... 16 mm ² / 34 ... 6 AWG		
	206-1126	1

Blade set; V-blade; 0.14 ... 4 mm ² / 24 ... 12 AWG		
	206-1127	1

Blade set; Oval blade; 10 ... 16 mm ² / 8 ... 6 AWG		
	206-1128	1

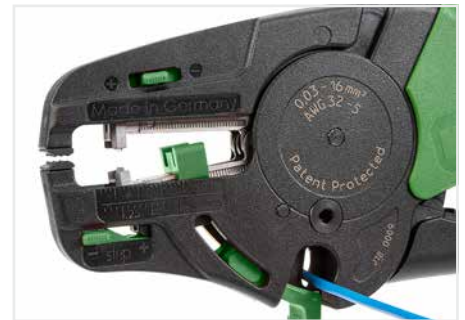
Spare stripping stop		
	206-1129	1

Spare cut protector		
	206-1131	1

Spare clamping jaws		
	206-1132	1



Partially stripping a conductor.



Cutting a conductor.

Wire Stripper:

- Automatically adjust to conductor size
- Stripping blades cause no damage to conductor strands
- Gripping pressure of jaws adjusts automatically to conductor insulation diameter
- Clamping jaws and stripping blades automatically open once the stripping process is completed – no splaying of the conductor strands
- Exact strip length may be set by sliding black setting stop
- Stripping blades can be replaced
- Self-sharpening, fully protected cutter (replaceable)
- Entire body made of glass-fiber-reinforced polyamide
- Cutting capacity of the wire cutter of fine-stranded conductors up to 16 mm² (6 AWG)

8



Stripping Pliers, Cable Cutters, Stripping Knives ▶ WINSTA®



Stripping pliers; with insulated handles; for 3 x 2.5 mm² flat cables

Color	Item No.	PU
red	897-931	1



Cable cutter; with partially insulated handles; for 5 x 6 mm² flat cables

Color	Item No.	PU
red	897-960	1



Stripping knife; for 5 x 10 mm² flat cable

Color	Item No.	PU
light gray	897-951	1



Stripping pliers; with insulated handles; for 2 x 1.5 mm², 5 x 2.5 mm², 5 x 4 mm² and 5 x 2.5 mm² + 2 x 1.5 mm² flat cables

Color	Item No.	PU
red	897-971	1



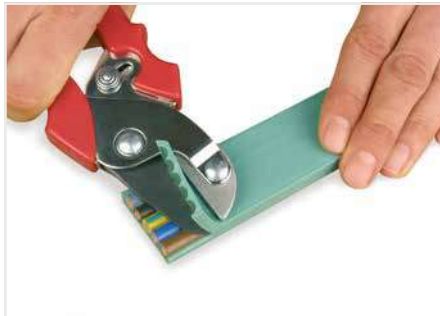
Cable cutter; with partially insulated handles; for 2 x 1.5 mm², 5 x 2.5 mm², 5 x 4 mm² and 5 x 2.5 mm² + 2 x 1.5 mm² flat cables

Color	Item No.	PU
red	897-972	1



Stripping knife; for 5 x 16 mm² flat cable

Color	Item No.	PU
light gray	897-952	1



Cut off the flat cable insulation via cable cutter.



Cut both flat cable insulation sides via stripping knife.

PU = Packaging Unit; SPU = Subpackaging Unit; Dimensions in mm

Cable Cutter and Wiring Aid ► WINSTA®



Cable cutter; per VDE; for copper and aluminum cables; 0.25 ... 35 mm²

Color	Item No.	PU (SPU)
green	206-118	10(1)

Wiring aid; for 5-pole connectors; distribution connectors with phase selection and IDC supply modules; suitable for solid and stranded conductors

Color	Item No.	PU (SPU)
orange	770-100	20(1)



Cutting a cable.



Strip outer insulation, insert cable into the wiring aid and arrange the single conductors according to the marking, starting with N. Cut conductor ends to the proper length.



Strip conductor ends to a length of 9 mm (see marking). Slide connector to the stop over conductor ends.

Markers and Marking Strips ▶ WINSTA®



Marker; for manual marking		
Color	Item No.	PU
white	770-450	50
green	770-450/000-001	50
yellow	770-450/000-002	50
red	770-450/000-005	50
blue	770-450/000-006	50
orange	770-450/000-012	50

Self-adhesive marking strips; on DIN A4 cards; 182 mm long; 6 mm (40 x) high; for 770 Series		
Color	Item No.	PU (SPU)
white	210-333	100(1)

Self-adhesive marking strips; on DIN A4 cards; 182 mm long; 5 mm (48 x) high; for 771 Series		
Color	Item No.	PU (SPU)
white	210-334	100(1)



Distribution connector with marked cables



Marking area:
 Strain relief; 3-pole; 28 x 6.5 mm
 Strain relief; 4-pole; 38 x 6.5 mm
 Strain relief; 5-pole; 48 x 6.5 mm
 Strain relief; 6-pole; 62 x 6.5 mm

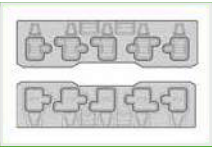
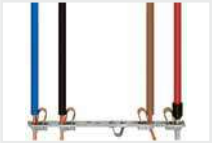
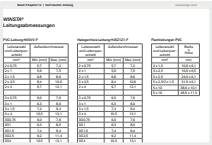






Marking area:
 Strain relief; 3-pole; 22 x 5.2 mm
 Strain relief; 4-pole; 32 x 5.2 mm
 Strain relief; 5-pole; 42 x 5.2 mm



Technical Section


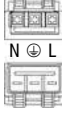



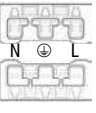
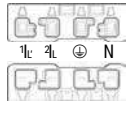
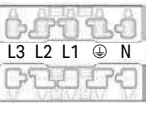

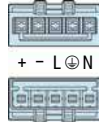

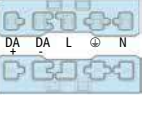

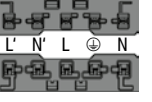
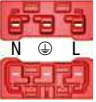
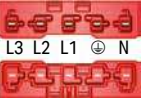



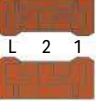
Technical Section

	Page
	Coding Overview Pole Markings 400 402
	Connection Technology 404
	Cable Dimensions 406
	International Certification Organizations 408
	Electrical Engineering Laboratory 410
	Seminars 412
	Environmental Protection 414

WINSTA®



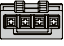













































Coding Configurations

770, 771, 772, 831, 890, 891, 893, 894 and 899 Series

Description	WINSTA® MINI				WINSTA® MIDI			
	2-pole	3-pole	4-pole	5-pole	2-pole	3-pole	4-pole	5-pole
Series	890/891	890/891	890/891	890/891	770/771	770/771	770/771	770/771
A-coding black white e.g., general applications	 N L	 N ⊕ L	 1L 2L ⊕ N	 3 2 1 ⊕ N	 N L	 N ⊕ L	 1L 2L ⊕ N	 L3 L2 L1 ⊕ N
E-coding green KNX applications								
F-coding light gray specialty coding								
I-coding blue for dimming function (e.g., DALI)	 - +			 + - L ⊕ N	 DA DA			 DA DA L ⊕ N
L-coding dark gray e.g., emergency power supply					 N' L'			 L' N' L ⊕ N
P-coding red e.g., computer applications (UPS)						 N ⊕ L		 L3 L2 L1 ⊕ N
Q-coding green Clean ground applications						 L PE2 PE1 N		 L PE3 PE2 PE1 N
R-coding orange e.g., LON® Bus						 S LON LON		
S-coding brown e.g., switching applications						 L 2 1		

Description	WINSTA® MAXI	WINSTA® RD		WINSTA® KNX		WINSTA® IDC	
	5-pole	3-pole	4-pole	2-pole	2-pole	3-pole	5-pole
Series	831	774	774	893/894	893/894	772	772
A-coding black white e.g., general applications							
E-coding green KNX applications							
F-coding light gray specialty coding							
I-coding blue for dimming function (e.g., DALI)							
L-coding dark gray e.g., emergency power supply							
P-coding red e.g., computer applications (UPS)							
Q-coding green Clean ground applications							
R-coding orange e.g., LON® Bus							
S-coding brown e.g., switching applications							

WINSTA® MINI and MIDI B-Coding

Description	WINSTA® MINI				WINSTA® MIDI / WINSTA® IDC			
	2-pole	3-pole	4-pole	5-pole	2-pole	3-pole	4-pole	5-pole
Series	890/891	890/891	890/891	890/891	770/771	770/771/772	770/771	770/771/772
B-coding gray								
Control and general applications (110 ... 400 V mains applications)	2 1 	3 2 1 	4 3 2 1 	5 4 3 2 1 	2 1 	3 2 1 	4 3 2 1 	5 4 3 2 1 
B-coding light green								
Control and general applications (0 ... 48 V low voltages)	2 1 	3 2 1 	4 3 2 1 	5 4 3 2 1 	2 1 	3 2 1 	4 3 2 1 	5 4 3 2 1 
B-coding pink								
Control and general applications (bus applications)	2 1 	3 2 1 	4 3 2 1 	5 4 3 2 1 	2 1 	3 2 1 	4 3 2 1 	5 4 3 2 1 

9 Important note:

B-Coded components within the WINSTA® MINI and WINSTA® MIDI families are designed for specialty applications (e.g., measurement, control and regulation technology) and certified per DIN EN 61984. In addition to the gray models rated from 110 to 400 V, there is now also a variant in light green for low voltages up to 48 V, as well as a pink one for bus applications.

Each of the three versions is available in 2-, 3- or 4- and 5-pole configurations. Pole marking can be printed at the factory to suit customer requirements. B-coded products are protected against mismatching with all other coding types found in the WINSTA® system. Within B-coding, all variants can mate with each other. The variable coding system provides clear circuit identification. All variants can be clearly differentiated according to color and pole marking. They can be coded on-site or delivered with factory-installed custom coding.

WINSTA® MINI and MIDI ▶ Coding: B Pole Markings

Suffix Number	Marking				Application
	2-pole	3-pole	4-pole	5-pole	
without	1 2	1 2 3	1 2 3 4	1 2 3 4 5	General
/060-000 MINI MIDI	L N	L ⊕ N	N ⊕ ² IL ¹ IL'	N ⊕ 1 2 3 N ⊕ L1 L2 L3	Standard 230 V/400 V network application
/062-000		2 PE 1	3 PE 2 1	N PE 3 2 1	Fan Step switching
/064-000			2L ⊕ 1L L	N ⊕ L 2L 1L	230 V + switched
without	1 2	1 2 3	1 2 3 4	1 2 3 4 5	General
/071-000		U+ X/Y U-	U- S U+ X/Y		AI / AO 0 ... 10 V
/072-000			U- U+ DI AI		Presence detector incl. light sensor
/073-000		1 ⊕ 2	1 ⊕ 2 3	1 ⊕ 2 3 4	Control Signal incl. Ground
without	1 2	1 2 3	1 2 3 4	1 2 3 4 5	General
/080-000	I+ I-			N ⊕ L I- I+	SMI bus
/081-000		1 2 5	1 2 5 3		MP-Bus
/082-000	+ -	+ S -		N ⊕ L - +	Standard fieldbus applications

Distribution connectors and cable assemblies with above-mentioned pole markings are available upon request.

Item number example:

WINSTA® MIDI, plug, 4-pole, light green, with U- U+ DI AI pole marking 770-274/072-000

Operating WAGO Connection Technologies

Please follow the applicable product-specific termination instructions.

PUSH-IN CAGE CLAMP®



Push-in CAGE CLAMP® terminates the following copper conductors: solid



stranded



fine-stranded, also with tinned single strands



fine-stranded, tip-bonded



fine-stranded, with ferrule (gastight crimped)



fine-stranded, with pin terminal (gastight crimped)

The universal connection with an additional advantage:

Push-in connection

Terminate solid and stranded (Class B 7 strands or less), as well as ferruled conductors, by simply pushing them in – no tools required.

Termination for all conductor types:

- Open clamping unit.
- Insert the conductor.
- Release clamp – done!

CAGE CLAMP®



CAGE CLAMP® terminates the following copper conductors: solid



stranded



fine-stranded, also with tinned single strands



fine-stranded, tip-bonded



fine-stranded, with ferrule (gastight crimped)



fine-stranded, with pin terminal (gastight crimped)

The universal connection for solid, stranded and fine-stranded conductors

Termination:

- Open clamping unit.
- Insert the conductor.
- Release clamp – done!

Operating WAGO Connection Technologies

Please follow the applicable product-specific termination instructions.

POWER CAGE CLAMP®



POWER CAGE CLAMP terminates the following copper conductors:
solid



stranded



fine-stranded,
also with tinned
single strands



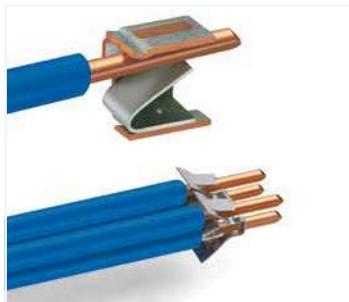
fine-stranded,
with ferrule
(gastight crimped)

The universal connection for conductors larger than 35 mm² (2 AWG)

Termination:

- Open clamp by turning a T-wrench counter-clockwise.
- Press the integrated latch to open clamping unit for hands-free wiring.
- Insert the conductor.
- A small counter-clockwise rotation closes the clamp, securing conductor.

PUSH WIRE®



PUSH WIRE® terminates the following copper conductors:
solid

PUSH WIRE® connection for solid and stranded conductors (depending on the model used)

Termination:

Tool-free, twist-free terminations for solid and rigid stranded conductors – simply push into the unit.

WINSTA®

Cable Dimensions

H05VV-F PVC Cables

Number and Size of Conductors	Outer Diameter	
	Min. (mm)	Max. (mm)
mm ²		
2 x 0.75	5.7	7.2
2 x 1	5.9	7.5
2 x 1.5	6.8	8.6
2 x 2.5	8.4	10.6
2 x 4	9.7	12.1
3 x 0.75	6.0	7.6
3 x 1	6.3	8.0
3 x 1.5	7.4	9.4
3 x 4	10.5	13.1
3G0.75	6.0	7.6
3G1	6.3	8.0
3G1.5	7.4	9.4
3G2.5	9.2	11.4
3G4	10.5	13.1
4 x 1	7.1	9.0
4 x 1.5	8.4	10.5
4G0.75	6.6	8.3
4G1	7.1	9.0
4G1.5	8.4	10.5
4G2.5	10.1	12.5
4G4	11.5	14.3
5G0.75	7.4	9.3
5G1	7.8	9.3
5G1.5	9.3	11.6
5G2.5	11.2	13.9

H05Z1Z1-F Halogen-Free Cables

Number and Size of Conductors	Outer Diameter	
	Min. (mm)	Max. (mm)
mm ²		
2 x 0.75	5.7	7.2
2 x 1	5.9	7.5
2 x 1.5	6.8	8.6
2 x 2.5	8.4	10.6
2 x 4	9.7	12.1
3 x 0.75	6.0	7.6
3 x 1	6.3	8.0
3 x 1.5	7.4	9.4
3 x 4	10.5	13.1
3G0.75	6.0	7.6
3G1	6.3	8.0
3G1.5	7.4	9.4
3G2.5	9.2	11.4
3G4	10.5	13.1
4 x 1	7.1	9.0
4 x 1.5	8.4	10.5
4G1	7.1	9.0
4G1.5	8.4	10.5
4G2.5	10.1	12.5
5G1	7.8	9.3
5G1.5	9.3	11.6
5G2.5	11.2	13.9
5G4	13.0	16.1

PVC Flat Cables











Number and Size of Conductors	Width x Height
	mm
mm ²	
2 x 1.5	10.9 x 6.1
3 x 2.5	16.9 x 6.5
5 x 2.5	24.0 x 6.1
5 x 2.5/2 x 1.5	31.9 x 6.1
5 x 10	38.6 x 10.1
5 x 16	48.5 x 11.3

Halogen-Free Flat Cables

Number and Size of Conductors	Width x Height
	mm
mm ²	
2 x 1.5	10.9 x 6.1
3 x 2.5	16.4 x 6.3
5 x 2.5	24.1 x 6.1
5 x 4	24.1 x 6.1
5 x 2.5/2 x 1.5	31.9 x 6.1
5 x 10	38.6 x 10.1
5 x 16	48.5 x 11.3

International Certification Organizations – Overview

		Abbreviation			Abbreviation
	Underwriters Laboratories USA http://www.ul.com	UL		Danmarks Elektriske Materielkontrol Denmark http://www.demko.dk	DEMKO
	Underwriters Laboratories USA http://www.ul.com	UL	CCA 	CENELEC CERTIFICATION AGREEMENT Danmarks Elektriske Materielkontrol Denmark http://www.cenelec.org	CCA Zul.-Nr. mit NL
	Underwriters Laboratories USA http://www.ul.com	cURus			
	Underwriters Laboratories USA http://www.ul.com	cULus		SETI – FEMKO Sähkötarastuskeskus Elinspek- tionscentralen Finland http://www.seti.fi	
	Canadian Standards Association Canada http://www.csa.ca	CSA		Sähkötarastuskeskus Elinspek- tionscentralen Finland http://www.fimko.com	FIMKO
	VDE-Gutachten mit Fertigungsüber- wachung Germany http://www.vde.de/vde/html/e/home.htm	VDE		South African Bureau of Standards South Africa http://www.sabs.co.za	SABS
	VDE – Deutscher Verband für Elek- trotechnik Germany http://www.vde.de				
VDE	VDE – Prüfbericht Germany			RosTest Russia http://www.rostest.ru	ROTEST
	Österreichischer Verband für Elek- trotechnik Austria http://www.ove.at	ÖVE		Departamentul Moldovastandard Moldova http://www.moldova.md/ro/govern- ment/oil/ D_STAND/en/strcent2.htm	CSM
	Schweizerischer Elektrotechnischer Verein Switzerland http://www.sev.ch/	SEV		Certificate of Registration Great Britain http://www.astacertification.com	ASTA
	N.V. tot Keuring van Elektrotech- nische Materialen Netherlands http://www.kema.nl	KEMA		Rheinisch-Westfälischer Technischer Überwachungsverein e.V. Germany http://www.rwtuv.de	RWTÜV
CCA	CENELEC CERTIFICATION AGREEMENT N.V. tot Keuring van Elektrotech- nische Materialen Netherlands http://www.cenelec.org	CCA Zul.-Nr. mit NL		Elektrotechnický výskumný a projektový ústav Czech Republic http://www.ezu.cz	EZU
				Stowarzyszenie Elektryków Polskich Poland http://www.sep.com.pl	BBJ
	Norges Elektriske Materialkontroll Norway http://express.nemko.com	NEMKO		Stowarzyszenie Elektryków Polskich Poland http://www.bbj.pl	SEP
	Svenska Elektriska Materielkontrol- lanstalten AB Sweden http://www.semko.com	SEMKO			

		Abbreviation			Abbreviation
CNET	Centre National d'Etudes des Télécommunications France http://www.lannion.cnet.fr	CNET		Robbanásbiztos Villamos Berendezések Hungary http://www.bki.hu	BKI
LCIE	Laboratoire Central des Industries Electriques France http://www.lcieie.fr	LCIE	CB	CB – TEST CERTIFICATE India http://www.ul-europe.com	CB
			CB	CB – TEST CERTIFICATE China http://www.ul-europe.com	CB
	Fyzikální Technický Ústav, Ostrava-Radvanice Czech Republic http://www.ftzu.cz	FTZU		http://www.enec.com	ENEC
Marine Approvals			EX Approvals		
BV	Bureau Veritas France http://www.bureauveritas.fr	BV		Physikalisch Technische Bundesanstalt Germany http://www.ptb.de	PTB
	Lloyd's Register of Shipping Great Britain http://www.lloydsregister.com	LR		Underwriters Laboratories USA http://www.ul.com	AEx
	NV – Det Norske Veritas Norway http://www.dnvgl.com	DNV-GL			
	Russian Maritime Register of Shipping GUS http://www.rs-head.spb.ru	RMR			
	Polski Rejestr Statków Poland http://www.prs.pl	PRS			
	Korean Register of Shipping Korea http://www.krs.co.kr	KR			
ABS	American Bureau of Shipping USA http://www.eagle.org	ABS			

Electrical Engineering Laboratory

Product Safety for Our Customers

To use terminal blocks globally, they must satisfy certain standards and obtain test certificates. These requirements apply to every manufacturer. WAGO also conducts its own tests to increase standards and offer greater reliability with its products. Products undergo a full range of mechanical, electrical and climatic testing, and we'll share a few of those processes with you.

Pull-Out Test (per EN 60947-7-1, EN 60998-2-2)

During the pull-out force test, a conductor is pulled on until it is removed from the clamping unit. The design of the terminals means that extraction only occurs after the standard pull-out force has been exceeded many times over.

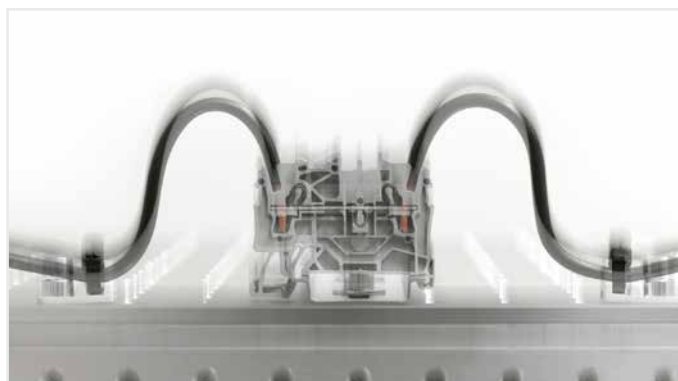
WAGO Test Lab

This means that WAGO's products can be used safely and reliably both in Europe and anywhere globally for a wide variety of applications. We heavily emphasize the importance of global acceptance during development. As a result, we can present documentation that verifies our high levels of product safety and reliability while ensuring the fulfillment and accuracy of technical data, which are the highest priorities for our customers and users worldwide. On December 22, 2009, our test lab was accredited by the German Accreditation Association (Deutsche Gesellschaft für Akkreditierung GmbH) in accordance with DIN EN ISO/IEC 17025.



Vibration Test (per IEC/EN 60068-2-6)

Depending on the application, such as railway (per EN 61373) or marine (per GL, LR, DNV), there are various testing requirements to determine if the long-term effects of vibrations degrade electrical connections. The test specimen is subjected to different loads on three axes in an electrodynamic vibration system. The amplitude, the acceleration, and particularly the frequency of the vibration vary during the test. The test values are increased many times over the standard values to meet special customer requirements.



Shock Test (per IEC/EN 60068-2-27)

The shock test is very similar to the vibration test except that, instead of continuous vibrations, single shocks are applied to the test specimen. Shock tests are usually performed, for example, at an acceleration of 20g over a period of 11 ms. Tests for special requirements often call for much higher values and are also conducted in our laboratory. Single-deck TOPJOB® S Rail-Mount Terminal Blocks, for example, pass shock tests up to 500g.



Voltage Drop Test under Bending Stress (per EN 60947-7-1, EN 60999-1)

The voltage drop test under bending stress simulates mechanical stress on the clamping unit. In everyday use, this stress can occur during installation, for example, when an electrician shoves connected conductors to the side in order to access a specific component. The quality of the clamping unit when moving a connected conductor can be validated by the constantly stable measured value of the voltage drop.





Deutsche Akkreditierungsstelle GmbH

Beliehene gemäß § 8 Absatz 1 AkkStelleG i.V.m. § 1 Absatz 1 AkkStelleGBV
 Unterzeichnerin der Multilateralen Abkommen
 von EA, ILAC und IAF zur gegenseitigen Anerkennung

Akkreditierung



Die Deutsche Akkreditierungsstelle GmbH bestätigt hiermit, dass

das Prüflaboratorium WAGO Kontakttechnik GmbH & Co. KG
Hansastraße 27, 32423 Minden

die Kompetenz nach DIN EN ISO/IEC 17025:2018 besitzt, Prüfungen in folgenden Bereichen durchzuführen:

**Elektrische und mechanische Prüfungen an Klemmen und Steckverbinder
 sowie Umweltsimulation**

Die Akkreditierungsurkunde gilt nur in Verbindung mit dem Bescheid vom 24.05.2019 mit der Akkreditierungsnummer D-PL-19704-01. Sie besteht aus diesem Deckblatt, der Rückseite des Deckblatts und der folgenden Anlage mit insgesamt 08 Seiten.

Registrierungsnummer der Urkunde: D-PL-19704-01-00

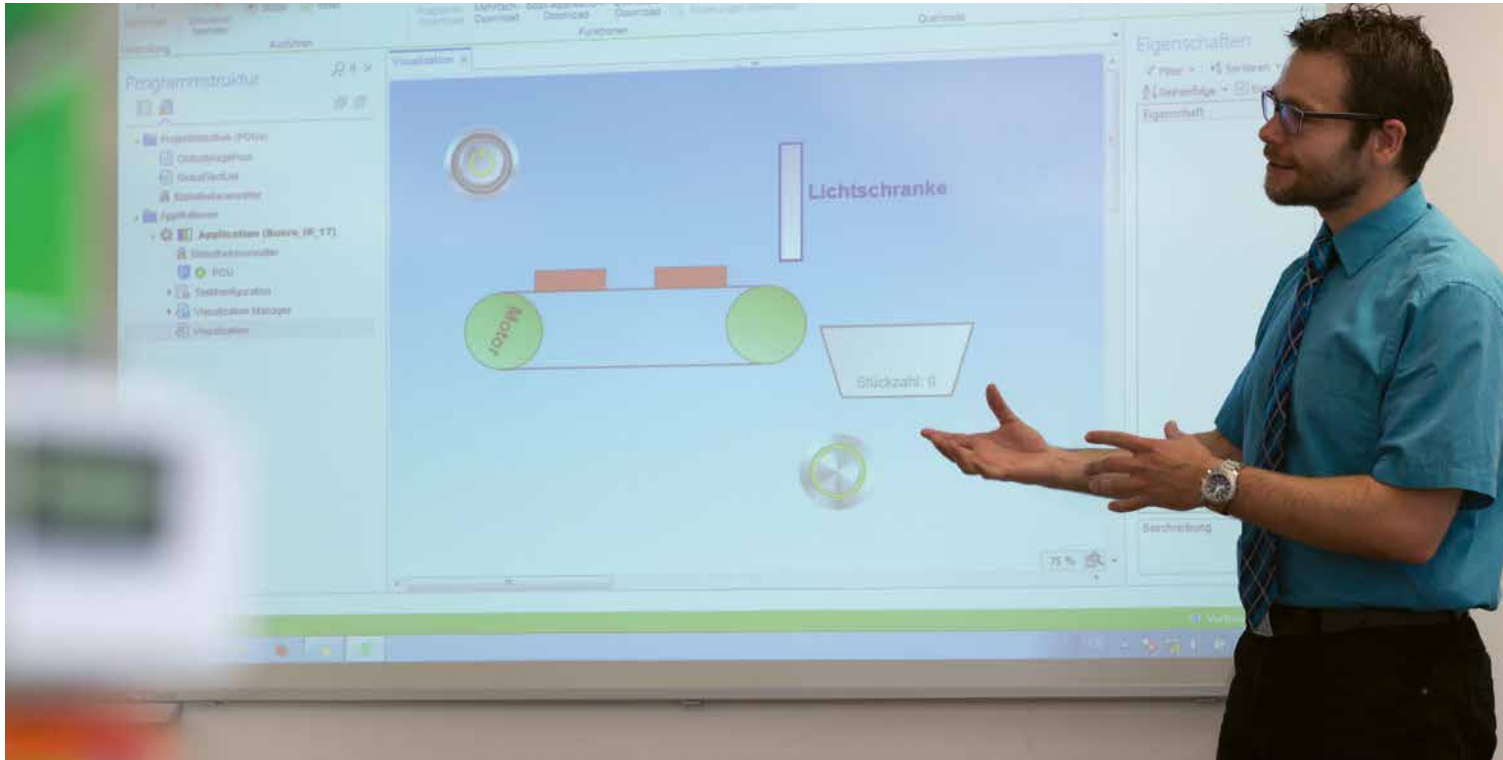
Frankfurt am Main, 24.05.2019

Im Auftrag Dipl.-Ing. (FH) Ralf Egner
 Abteilungsleiter

Die Urkunde samt Urkundenanlage gibt den Stand zum Zeitpunkt des Ausstellungsdatums wieder. Der jeweils aktuelle Stand des Geltungsbereiches der Akkreditierung ist der Datenbank akkreditierter Stellen der Deutschen Akkreditierungsstelle GmbH (DAkks) zu entnehmen. <https://www.dakks.de/content/datenbank-akkreditierter-stellen>

Siehe Hinweise auf der Rückseite

WAGO Seminars Learn Today – Benefit Tomorrow



Setting the Bar with Your Goals

Product-Related and Customer-Specific Seminars



Small Groups

The small class sizes of WAGO training seminars ensures that no question goes unanswered and no one is overlooked.



Teamwork

Learning as a group is very effective. Ideas can be discussed and exchanged while experiences can be shared – all for the benefit of the participants.



Practical Topics

Experience has shown that practice makes perfect. This is why the focus of every WAGO training seminar is on practical, hands-on learning.

WAGO Seminars

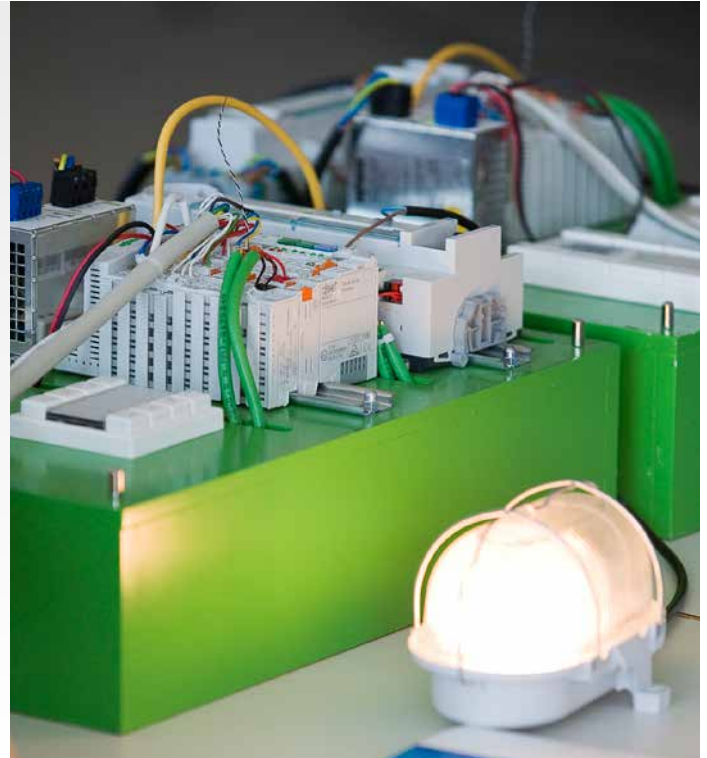
Experience the Benefits of First-Hand Knowledge and Expertise – Straight from the Source!

Our instructors are specialists who know all the ins and outs of WAGO's products. This ensures that the time devoted to each WAGO training seminar is an effective investment in expanding your own expertise.

Request your registration form by e-mail:

training@wago.com

**Contact your local
WAGO office.**



Product-Related Seminars

We regularly offer product-related seminars on the following topics:

- Building and industrial automation
- Programming of automation components
- Fieldbus systems

**Current seminars:
www.wago.com**

Customer-Specific Seminars

In addition to these "open" seminars, we also offer seminars specially tailored to your organization and its particular needs. that are specifically tailored to your organization.

Upon request, we can also conduct these seminars at your location.

**Special
corporate seminars**

Success for Generations: Environmental Protection at WAGO



At WAGO, we see environmental protection not only as compliance with environmental protection requirements.

As a growing company, our commitment to the environment drives our efforts to deliver new ideas, new concepts and new technologies along the product lifecycle. Here our employees and business partners support us.

Corporate environmental protection

Business growth also leads to higher consumption of resources. We have realized that the economic success of a company also depends on the achievement of environmental goals.

As a manufacturing company, we therefore support developments that make a contribution to environmental protection. In doing so, we always pursue individual material flows along the value chain, because we see resources, product design, production and consumption as a whole.

With our environmental management system certified in accordance with DIN EN ISO 14001, we ensure that the required national and international requirements are complied with in all areas of the company and that the concept of environmental protection is practiced in all corporate processes. In addition, WAGO is pursuing further efforts in the field of environmental protection that go far beyond the requirements of ISO

Some examples include the recycling of plastics, resource savings on product and packaging materials, the use of recycled paper throughout the company, the introduction of e-filling stations and the use of waste heat from production processes.

Product-related environmental protection

Product-related environmental protection is an important part of sustainable environmental management at WAGO. Ensuring compliance with substance bans / restrictions worldwide, such as: As REACH, RoHS has a high priority.

RoHS – Restriction of the use of certain Hazardous Substances

It is an EC directive that regulates the use of certain hazardous substances in electrical and electronic equipment. In addition to reducing the harmful effects on humans and the environment, legislation aims to improve recycling possibilities. WAGO closely monitors the development regarding RoHS and reacts promptly to specifications accordingly. For more information about RoHS please contact us via ehs-product-compliance@wago.com.

RoHS 
Compliant

Success for Generations: Environmental Protection at WAGO

REACH – Registration, Evaluation and Authorisation of Chemicals

On 01.06.2007 the regulation (EC) no. 1907/2006 (REACH regulation) came into force and since then forms a valid legal basis for all EU member states. To protect human health and the environment, this EU Chemicals Regulation aims to classify and identify all chemicals, including their effects.

The REACH Regulation creates specific obligations for each actor in the supply chain. The products manufactured by WAGO are to be designated as products in the sense of the regulation. Since products are not subject to registration, WAGO usually assumes the role of the downstream user in the supply chain. WAGO therefore has an obligation to provide information along the supply chain in accordance with REACH Article 33. WAGO is naturally aware of this obligation.

BOMcheck.net

For more information about our reporting requirements according to REACH Article 33 please visit our website "REACH SVHC Declaration" via www.wago.com/svhc

BOMcheck

European legislation such as REACH or RoHS requires the provision of information on restricted ingredients in products. This information must be shared by manufacturers and suppliers in the supply chain. WAGO meets this challenge in product-related environmental protection successfully and efficiently with BOMcheck.

BOMcheck is a centralized database for the declaration of ingredients. It is a compliance tool specifically designed to enable manufacturers and suppliers to produce their substance declarations under REACH, RoHS, and other restrictions on ingredients in an efficient and structured manner. This Internet database system increases data quality in the area of product-related environmental protection.

Further information on BOMcheck can be found at the following link: <http://www.bomcheck.net>

WEEE – Waste of Electrical and Electronic Equipment

The WEEE Directive 2012/19/EU regulates the take-back and recycling of electrical and electronic equipment. Manufacturers and importers of electrical and electronic equipment are obliged to register as a 'WEEE producer' and to comply with the reporting and take-back obligations. As a matter of course, we have taken compliance with legal WEEE requirements very seriously all the time - in our own interest as well as in the well-understood interest of our customers.

Only some of our products fall within the scope of the WEEE Directive and the Member State's implementation laws. These products are WEEE-compliant marked by us, as far as such a marking is legally required (which is not required for the B2B area Europe-wide).

For more information about WEEE please contact us via ehs-product-compliance@wago.com.

Less is more: our packaging

Recycling is the basis for choosing our packaging materials. All packaging used by WAGO can be recycled in the economic cycle without further pretreatment. In addition to the aspect of recycling, emphasis is placed on resource conservation. For this reason, our cardboard boxes consist of 80% recycled paper and are marked with the Resy symbol. The Resy symbol guarantees compliance with the Packaging Ordinance for transport packaging. The labeling is partly done by perforation. This process enables the colorless printing of WAGO cardboard boxes. This avoids unnecessary environmental pollution.



Indexes

Indexes

	Page
Product Index	418
Item Number Index	420

Item	Page	Item	Page	Item	Page

Item Number Index

Item No.	Page	Item No.	Page	Item No.	Page	Item No.	Page
206 Series		770 Series		770 Series		770 Series	
206-118	396	770-244	198	770-382	125	770-655	237
206-1125	394	770-244/060-000	198	770-383	149	770-656	167
206-1126	394	770-244/062-000	198	770-401	371	770-657	170
206-1127	394	770-244/064-000	198	770-405	227	770-658	171
206-1128	394	770-245	224	770-408	159	770-659	242
206-1129	394	770-245/060-000	224	770-415	227	770-661	245
206-1131	394	770-245/062-000	224	770-418	159	770-665	167
206-1132	394	770-245/064-000	224	770-425	227	770-667	167
206-1403	394	770-252	126	770-428	159	770-670	167
206-1411	394	770-252/060-000	126	770-435	227	770-671	240
206-1412	394	770-253	152	770-438	159	770-672	240
206-1413	394	770-253/060-000	152	770-450	397	770-673	168
206-1414	394	770-253/062-000	152	770-450/000-001	397	770-674	211
206-1415	394	770-253/081-000	152	770-450/000-002	397	770-675	241
206-1418	394	770-254	199	770-450/000-005	397	770-676	210
		770-254/060-000	199	770-450/000-006	397	770-677	210
		770-254/062-000	199	770-450/000-012	397	770-680	385
		770-254/064-000	199	770-502/041-000	126	770-683	168
		770-255	225	770-502/042-000	126	770-684	169
		770-255/060-000	225	770-503	151	770-685	168
		770-255/062-000	225	770-503/021-000	377	770-686	169
		770-255/064-000	225	770-503/023-000	376	770-687	172
		770-262	126	770-503/032-000	376	770-688	173
		770-263	151	770-503/035-000	377	770-690	244
		770-263/071-000	151	770-503/038-000	377	770-693	101
		770-263/073-000	151	770-504	198	770-694	201
		770-264	198	770-504/023-000	198	770-695	229
		770-264/071-000	198	770-505	224	770-703	155
		770-264/072-000	198	770-505/021-000	224	770-703/009-000	156
		770-264/073-000	198	770-505/023-000	224	770-704	201
		770-265	224	770-506/029-000	380	770-704/009-000	202
		770-265/073-000	224	770-507/047-000	381	770-705	229
		770-272	126	770-512/041-000	126	770-705/009-000	231
		770-273	126	770-512/042-000	126	770-713	156
		770-273/071-000	152	770-513	151	770-713/007-000	157
		770-273/073-000	152	770-513/021-000	377	770-714	201
		770-274	199	770-513/023-000	376	770-714/007-000	202
		770-274/071-000	199	770-513/032-000	376	770-715	230
		770-274/072-000	199	770-513/035-000	377	770-715/007-000	231
		770-274/073-000	199	770-513/038-000	377	770-723	155
		770-275	225	770-514	198	770-723/009-000	156
		770-275/073-000	225	770-514/023-000	198	770-724	201
		770-282	126	770-515	224	770-724/009-000	202
		770-282/080-000	126	770-515/021-000	224	770-725	229
		770-282/082-000	126	770-515/023-000	224	770-725/009-000	231
		770-283	151	770-516/029-000	380	770-733	156
		770-283/081-000	151	770-517/047-000	381	770-733/007-000	157
		770-283/082-000	151	770-523	375	770-734	201
		770-284	198	770-526	375	770-734/007-000	202
		770-284/081-000	198	770-601	373	770-735	230
		770-285	224	770-603	165	770-735/007-000	231
		770-285/080-000	224	770-605	237	770-743	155
		770-285/082-000	224	770-606	167	770-743/060-000	155
		770-292	126	770-607	170	770-743/062-000	155
		770-292/080-000	126	770-608	171	770-744	201
		770-292/082-000	126	770-609	242	770-744/060-000	201
		770-293	152	770-611	245	770-744/062-000	201
		770-293/081-000	152	770-615	167	770-744/064-000	201
		770-293/082-000	152	770-617	240	770-745	229
		770-294	199	770-618	242	770-745/060-000	229
		770-294/081-000	199	770-619	237	770-745/062-000	229
		770-295	225	770-620	240	770-745/064-000	229
		770-295/080-000	225	770-621	240	770-753	156
		770-295/082-000	225	770-622	240	770-753/060-000	156
		770-305	226	770-623	168	770-753/062-000	156
		770-310	135	770-624	211	770-754	201
		770-315	226	770-625	241	770-754/060-000	201
		770-317	382	770-626	210	770-754/062-000	201
		770-318	382	770-627	210	770-754/064-000	201
		770-319	383	770-630	385	770-755	230
		770-320	383	770-633	168	770-755/060-000	230
		770-321	383	770-634	169	770-755/062-000	230
		770-325	226	770-635	168	770-755/064-000	230
		770-335	226	770-636	169	770-763	155
		770-337	382	770-637	172	770-763/071-000	155
		770-338	382	770-638	173	770-763/073-000	155
		770-339	383	770-640	244	770-764	201
		770-340	383	770-643	101	770-764/071-000	201
		770-341	383	770-644	201	770-764/072-000	201
		770-354	167	770-645	229	770-764/073-000	201
		770-360	125	770-653	165	770-765	229

Item No.	Page	Item No.	Page	Item No.	Page	Item No.	Page
770 Series		770 Series		770 Series		770 Series	
770-765/073-000	229	770-854/011-000/062-000	206	770-902	238	770-1684	132
770-773	156	770-854/011-000/064-000	206	770-903	238	770-1686	132
770-773/071-000	156	770-854/060-000	205	770-907	170	770-1701	130
770-773/073-000	156	770-854/062-000	205	770-909	242	770-1702	130
770-774	201	770-854/064-000	205	770-911	237	770-1703	130
770-774/071-000	201	770-855	233	770-912	238	770-1704	133
770-774/072-000	201	770-855/011-000	234	770-913	238	770-1705	133
770-774/073-000	201	770-855/011-000/060-000	234	770-921	240	770-1706	133
770-775	230	770-855/011-000/062-000	234	770-922	240	770-1712	167
770-775/073-000	230	770-855/011-000/064-000	234	770-934	169	770-1713	167
770-783	155	770-855/060-000	233	770-936	169	770-1714	170
770-783/081-000	155	770-855/062-000	233	770-940	244	770-1715	170
770-783/082-000	155	770-855/064-000	233	770-944	211	770-1716	170
770-784	201	770-863	161	770-945	211	770-1731	210
770-784/081-000	201	770-863/011-000	162	770-951	237	770-1732	210
770-785	229	770-863/011-000/071-000	162	770-952	238	770-1733	210
770-785/080-000	229	770-863/011-000/073-000	162	770-953	238	770-1734	212
770-785/082-000	229	770-863/071-000	161	770-967	167	770-1735	212
770-793	156	770-863/073-000	161	770-970	167	770-1736	212
770-793/081-000	156	770-864	205	770-992	241	770-1741	240
770-793/082-000	156	770-864/011-000	206	770-993	241	770-1742	240
770-794	201	770-864/011-000/071-000	206	770-994	211	770-1743	240
770-794/081-000	201	770-864/011-000/072-000	206	770-995	211	770-1744	242
770-795	230	770-864/011-000/073-000	206	770-1102	126	770-1745	242
770-795/080-000	230	770-864/071-000	205	770-1105	224	770-1746	242
770-795/082-000	230	770-864/072-000	205	770-1112	126	770-1751	132
770-803	161	770-864/073-000	205	770-1115	225	770-1752	132
770-803/011-000	162	770-865	233	770-1162	126	770-1753	132
770-804	205	770-865/011-000	234	770-1165	224	770-1761	169
770-804/011-000	206	770-865/073-000	233	770-1172	126	770-1762	169
770-805	233	770-873	161	770-1175	225	770-1763	169
770-805/011-000	234	770-873/011-000	162	770-1303	151	770-1764	168
770-813	161	770-873/011-000/071-000	162	770-1305	224	770-1765	168
770-813/011-000	162	770-873/011-000/073-000	162	770-1313	152	770-1766	168
770-814	205	770-873/071-000	161	770-1315	225	770-1767	168
770-814/011-000	206	770-873/073-000	161	770-1324	198	770-1768	168
770-815	233	770-874	205	770-1325	224	770-1769	168
770-815/011-000	234	770-874/011-000	206	770-1334	199	770-1781	211
770-823	161	770-874/011-000/071-000	206	770-1335	225	770-1782	211
770-823/011-000	162	770-874/011-000/072-000	206	770-1343	151	770-1783	211
770-824	205	770-874/011-000/073-000	206	770-1353	152	770-1947	243
770-824/011-000	206	770-874/071-000	205	770-1363	151	770-2105	229
770-825	233	770-874/072-000	205	770-1373	152	770-2115	230
770-825/011-000	234	770-874/073-000	205	770-1373/146-000	172	770-2115/007-000	231
770-833	161	770-875	233	770-1373/147-000	172	770-2303	155
770-833/011-000	162	770-875/011-000	234	770-1373/148-000	172	770-2305	229
770-834	205	770-875/011-000/073-000	234	770-1373/149-000	172	770-2313	156
770-834/011-000	206	770-875/073-000	233	770-1601	130	770-2313/007-000	157
770-835	233	770-883	161	770-1602	130	770-2315	230
770-835/011-000	234	770-883/011-000	162	770-1603	130	770-2324	201
770-843	161	770-883/011-000/081-000	162	770-1606	130	770-2325	229
770-843/011-000	162	770-883/011-000/082-000	162	770-1608	131	770-2334	201
770-843/011-000/060-000	162	770-883/081-000	161	770-1609	131	770-2334/007-000	202
770-843/011-000/062-000	162	770-883/082-000	161	770-1610	131	770-2335	230
770-843/060-000	161	770-884	205	770-1612	167	770-2335/007-000	231
770-843/062-000	161	770-884/011-000	206	770-1613	167	770-2343	155
770-844	205	770-884/011-000/081-000	206	770-1615	130	770-2353	156
770-844/011-000	206	770-884/081-000	205	770-1626	131	770-2363	155
770-844/011-000/060-000	206	770-885	233	770-1627	131	770-3105	233
770-844/011-000/062-000	206	770-885/011-000	234	770-1631	210	770-3105/011-000	234
770-844/011-000/064-000	206	770-885/011-000/080-000	234	770-1632	210	770-3115	233
770-844/060-000	205	770-885/011-000/082-000	234	770-1633	210	770-3115/011-000	234
770-844/062-000	205	770-885/080-000	233	770-1634	132	770-6223	166
770-844/064-000	205	770-885/082-000	233	770-1636	132	770-6224	209
770-845	233	770-893	161	770-1641	240	770-6225	239
770-845/011-000	234	770-893/011-000	162	770-1642	240	770-7102	129
770-845/011-000/060-000	234	770-893/011-000/081-000	162	770-1643	240	770-7105	239
770-845/011-000/062-000	234	770-893/011-000/082-000	162	770-1651	132	770-7502	129
770-845/011-000/064-000	234	770-893/081-000	161	770-1652	132	770-7505	239
770-845/060-000	233	770-893/082-000	161	770-1653	132		
770-845/062-000	233	770-894	205	770-1656	130		
770-845/064-000	233	770-894/011-000	206	770-1658	131	771 Series	
770-853	161	770-894/011-000/081-000	206	770-1659	131	771-5001/100-000	217
770-853/011-000	162	770-894/081-000	205	770-1660	131	771-5001/106-000	193
770-853/011-000/060-000	162	770-895	233	770-1661	169	771-5001/107-000	193
770-853/011-000/062-000	162	770-895/011-000	234	770-1662	169	771-5001/110-000	218
770-853/060-000	161	770-895/011-000/080-000	234	770-1663	169	771-5001/131-000	194
770-853/062-000	161	770-895/011-000/082-000	234	770-1665	130	771-5001/132-000	194
770-854	205	770-895/080-000	233	770-1681	211	771-5001/148-000	261
770-854/011-000	206	770-895/082-000	233	770-1682	211	771-5001/149-000	261
770-854/011-000/060-000	206	770-901	237	770-1683	211	771-5001/150-000	261

Item Number Index

Item No.	Page	Item No.	Page	Item No.	Page	Item No.	Page
771 Series		771 Series		771 Series		771 Series	
771-5001/151-000	261	771-6993/017-101	178	771-6993/206-102	175	771-8982/006-103	143
771-5001/152-000	261	771-6993/017-102	178	771-6993/206-201	175	771-8982/006-104	143
771-5001/153-000	261	771-6993/017-201	178	771-6993/206-202	175	771-8982/006-201	141
771-5001/154-000	261	771-6993/017-202	178	771-6993/206-301	175	771-8982/006-202	141
771-5001/155-000	261	771-6993/017-301	178	771-6993/206-302	175	771-8982/006-203	143
771-5001/156-000	262	771-6993/017-302	178	771-6993/206-401	175	771-8982/006-204	143
771-5001/157-000	262	771-6993/017-401	178	771-6993/206-402	175	771-8982/006-301	141
771-5001/158-000	262	771-6993/017-402	178	771-6993/206-501	175	771-8982/006-302	141
771-5001/159-000	262	771-6993/017-501	178	771-6993/206-502	175	771-8982/006-303	143
771-5001/160-000	262	771-6993/017-502	178	771-6993/206-601	175	771-8982/006-304	143
771-5001/161-000	262	771-6993/017-601	178	771-6993/206-602	175	771-8982/006-401	141
771-5001/162-000	262	771-6993/017-602	178	771-6993/206-701	175	771-8982/006-402	141
771-5001/163-000	262	771-6993/017-701	178	771-6993/206-702	175	771-8982/006-403	143
771-5001/164-000	261	771-6993/017-702	178	771-6993/206-801	175	771-8982/006-404	143
771-5001/165-000	261	771-6993/017-801	178	771-6993/206-802	175	771-8982/006-501	141
771-5001/166-000	261	771-6993/017-802	178	771-6993/207-101	177	771-8982/006-502	141
771-5001/167-000	261	771-6993/106-101	175	771-6993/207-102	177	771-8982/006-503	143
771-5001/168-000	261	771-6993/106-102	175	771-6993/207-201	177	771-8982/006-504	143
771-5001/169-000	261	771-6993/106-201	175	771-6993/207-202	177	771-8982/006-601	141
771-5001/170-000	261	771-6993/106-202	175	771-6993/207-301	177	771-8982/006-602	141
771-5001/171-000	261	771-6993/106-301	175	771-6993/207-302	177	771-8982/006-603	143
771-5001/172-000	262	771-6993/106-302	175	771-6993/207-401	177	771-8982/006-604	143
771-5001/173-000	262	771-6993/106-401	175	771-6993/207-402	177	771-8982/006-701	141
771-5001/174-000	262	771-6993/106-402	175	771-6993/207-501	177	771-8982/006-702	141
771-5001/175-000	262	771-6993/106-501	175	771-6993/207-502	177	771-8982/006-703	143
771-5001/176-000	262	771-6993/106-502	175	771-6993/207-601	177	771-8982/006-704	143
771-5001/177-000	262	771-6993/106-601	175	771-6993/207-602	177	771-8982/006-801	141
771-5001/178-000	262	771-6993/106-602	175	771-6993/207-701	177	771-8982/006-802	141
771-5001/179-000	262	771-6993/106-701	175	771-6993/207-702	177	771-8982/006-803	143
771-5001/180-000	263	771-6993/106-702	175	771-6993/207-801	177	771-8982/006-804	143
771-5001/181-000	264	771-6993/106-801	175	771-6993/207-802	177	771-8982/007-103	145
771-5001/182-000	263	771-6993/106-802	175	771-6993/216-101	176	771-8982/007-104	145
771-5001/183-000	264	771-6993/107-101	177	771-6993/216-102	176	771-8982/007-203	145
771-6993/006-101	175	771-6993/107-102	177	771-6993/216-201	176	771-8982/007-204	145
771-6993/006-102	175	771-6993/107-201	177	771-6993/216-202	176	771-8982/007-303	145
771-6993/006-201	175	771-6993/107-202	177	771-6993/216-301	176	771-8982/007-304	145
771-6993/006-202	175	771-6993/107-301	177	771-6993/216-302	176	771-8982/007-403	145
771-6993/006-301	175	771-6993/107-302	177	771-6993/216-401	176	771-8982/007-404	145
771-6993/006-302	175	771-6993/107-401	177	771-6993/216-402	176	771-8982/007-503	145
771-6993/006-401	175	771-6993/107-402	177	771-6993/216-501	176	771-8982/007-504	145
771-6993/006-402	175	771-6993/107-501	177	771-6993/216-502	176	771-8982/007-603	145
771-6993/006-501	175	771-6993/107-502	177	771-6993/216-601	176	771-8982/007-604	145
771-6993/006-502	175	771-6993/107-601	177	771-6993/216-602	176	771-8982/007-703	145
771-6993/006-601	175	771-6993/107-602	177	771-6993/216-701	176	771-8982/007-704	145
771-6993/006-602	175	771-6993/107-701	177	771-6993/216-702	176	771-8982/007-803	145
771-6993/006-701	175	771-6993/107-702	177	771-6993/216-801	176	771-8982/007-804	145
771-6993/006-702	175	771-6993/107-801	177	771-6993/216-802	176	771-8982/016-101	142
771-6993/006-801	175	771-6993/107-802	177	771-6993/217-101	178	771-8982/016-102	142
771-6993/006-802	175	771-6993/116-101	176	771-6993/217-102	178	771-8982/016-103	144
771-6993/007-101	177	771-6993/116-102	176	771-6993/217-201	178	771-8982/016-104	144
771-6993/007-102	177	771-6993/116-201	176	771-6993/217-202	178	771-8982/016-201	142
771-6993/007-201	177	771-6993/116-202	176	771-6993/217-301	178	771-8982/016-202	142
771-6993/007-202	177	771-6993/116-301	176	771-6993/217-302	178	771-8982/016-203	144
771-6993/007-301	177	771-6993/116-302	176	771-6993/217-401	178	771-8982/016-204	144
771-6993/007-302	177	771-6993/116-401	176	771-6993/217-402	178	771-8982/016-301	142
771-6993/007-401	177	771-6993/116-402	176	771-6993/217-501	178	771-8982/016-302	142
771-6993/007-402	177	771-6993/116-501	176	771-6993/217-502	178	771-8982/016-303	144
771-6993/007-501	177	771-6993/116-502	176	771-6993/217-601	178	771-8982/016-304	144
771-6993/007-502	177	771-6993/116-601	176	771-6993/217-602	178	771-8982/016-401	142
771-6993/007-601	177	771-6993/116-602	176	771-6993/217-701	178	771-8982/016-402	142
771-6993/007-602	177	771-6993/116-701	176	771-6993/217-702	178	771-8982/016-403	144
771-6993/007-701	177	771-6993/116-702	176	771-6993/217-801	178	771-8982/016-404	144
771-6993/007-702	177	771-6993/116-801	176	771-6993/217-802	178	771-8982/016-501	142
771-6993/007-801	177	771-6993/116-802	176	771-8965/007-101	253	771-8982/016-502	142
771-6993/007-802	177	771-6993/117-101	178	771-8965/007-102	253	771-8982/016-503	144
771-6993/016-101	176	771-6993/117-102	178	771-8965/007-201	253	771-8982/016-504	144
771-6993/016-102	176	771-6993/117-201	178	771-8965/007-202	253	771-8982/016-601	142
771-6993/016-201	176	771-6993/117-202	178	771-8965/017-101	254	771-8982/016-602	142
771-6993/016-202	176	771-6993/117-301	178	771-8965/017-102	254	771-8982/016-603	144
771-6993/016-301	176	771-6993/117-302	178	771-8965/017-201	254	771-8982/016-604	144
771-6993/016-302	176	771-6993/117-401	178	771-8965/017-202	254	771-8982/016-701	142
771-6993/016-401	176	771-6993/117-402	178	771-8965/107-101	253	771-8982/016-702	142
771-6993/016-402	176	771-6993/117-501	178	771-8965/107-102	253	771-8982/016-703	144
771-6993/016-501	176	771-6993/117-502	178	771-8965/107-201	253	771-8982/016-704	144
771-6993/016-502	176	771-6993/117-601	178	771-8965/107-202	253	771-8982/016-801	142
771-6993/016-601	176	771-6993/117-602	178	771-8965/117-101	254	771-8982/016-802	142
771-6993/016-602	176	771-6993/117-701	178	771-8965/117-102	254	771-8982/016-803	144
771-6993/016-701	176	771-6993/117-702	178	771-8965/117-201	254	771-8982/016-804	144
771-6993/016-702	176	771-6993/117-801	178	771-8965/117-202	254	771-8982/017-103	146
771-6993/016-801	176	771-6993/117-802	178	771-8982/006-101	141	771-8982/017-104	146
771-6993/016-802	176	771-6993/206-101	175	771-8982/006-102	141	771-8982/017-203	146

Item Number Index

Item No.	Page	Item No.	Page	Item No.	Page	Item No.	Page
771 Series		771 Series		771 Series		771 Series	
771-8985/117-404	268	771-8992/005-307	139	771-8992/016-502	136	771-8992/106-707	140
771-8985/117-503	268	771-8992/005-403	139	771-8992/016-601	136	771-8992/106-801	135
771-8985/117-504	268	771-8992/005-405	139	771-8992/016-602	136	771-8992/106-802	135
771-8985/117-603	268	771-8992/005-407	139	771-8992/016-701	136	771-8992/106-803	140
771-8985/117-604	268	771-8992/005-503	139	771-8992/016-702	136	771-8992/106-805	140
771-8985/117-703	268	771-8992/005-505	139	771-8992/016-801	136	771-8992/106-807	140
771-8985/117-704	268	771-8992/005-507	139	771-8992/016-802	136	771-8992/107-101	137
771-8985/117-803	268	771-8992/005-603	139	771-8992/017-101	138	771-8992/107-102	137
771-8985/117-804	268	771-8992/005-605	139	771-8992/017-102	138	771-8992/107-201	137
771-8985/206-103	265	771-8992/005-607	139	771-8992/017-201	138	771-8992/107-202	137
771-8985/206-104	265	771-8992/005-703	139	771-8992/017-202	138	771-8992/107-301	137
771-8985/206-203	265	771-8992/005-705	139	771-8992/017-301	138	771-8992/107-302	137
771-8985/206-204	265	771-8992/005-707	139	771-8992/017-302	138	771-8992/107-401	137
771-8985/206-303	265	771-8992/005-803	139	771-8992/017-401	138	771-8992/107-402	137
771-8985/206-304	265	771-8992/005-805	139	771-8992/017-402	138	771-8992/107-501	137
771-8985/206-403	265	771-8992/005-807	139	771-8992/017-501	138	771-8992/107-502	137
771-8985/206-404	265	771-8992/006-101	135	771-8992/017-502	138	771-8992/107-601	137
771-8985/206-503	265	771-8992/006-102	135	771-8992/017-601	138	771-8992/107-602	137
771-8985/206-504	265	771-8992/006-103	140	771-8992/017-602	138	771-8992/107-701	137
771-8985/206-603	265	771-8992/006-105	140	771-8992/017-701	138	771-8992/107-702	137
771-8985/206-604	265	771-8992/006-107	140	771-8992/017-702	138	771-8992/107-801	137
771-8985/206-703	265	771-8992/006-201	135	771-8992/017-801	138	771-8992/107-802	137
771-8985/206-704	265	771-8992/006-202	135	771-8992/017-802	138	771-8992/116-101	136
771-8985/206-803	265	771-8992/006-203	140	771-8992/105-103	139	771-8992/116-102	136
771-8985/206-804	265	771-8992/006-205	140	771-8992/105-105	139	771-8992/116-201	136
771-8985/207-103	267	771-8992/006-207	140	771-8992/105-107	139	771-8992/116-202	136
771-8985/207-104	267	771-8992/006-301	135	771-8992/105-203	139	771-8992/116-301	136
771-8985/207-203	267	771-8992/006-302	135	771-8992/105-205	139	771-8992/116-302	136
771-8985/207-204	267	771-8992/006-303	140	771-8992/105-207	139	771-8992/116-401	136
771-8985/207-303	267	771-8992/006-305	140	771-8992/105-303	139	771-8992/116-402	136
771-8985/207-304	267	771-8992/006-307	140	771-8992/105-305	139	771-8992/116-501	136
771-8985/207-403	267	771-8992/006-401	135	771-8992/105-307	139	771-8992/116-502	136
771-8985/207-404	267	771-8992/006-402	135	771-8992/105-403	139	771-8992/116-601	136
771-8985/207-503	267	771-8992/006-403	140	771-8992/105-405	139	771-8992/116-602	136
771-8985/207-504	267	771-8992/006-405	140	771-8992/105-407	139	771-8992/116-701	136
771-8985/207-603	267	771-8992/006-407	140	771-8992/105-503	139	771-8992/116-702	136
771-8985/207-604	267	771-8992/006-501	135	771-8992/105-505	139	771-8992/116-801	136
771-8985/207-703	267	771-8992/006-502	135	771-8992/105-507	139	771-8992/116-802	136
771-8985/207-704	267	771-8992/006-503	140	771-8992/105-603	139	771-8992/117-101	138
771-8985/207-803	267	771-8992/006-505	140	771-8992/105-605	139	771-8992/117-102	138
771-8985/207-804	267	771-8992/006-507	140	771-8992/105-607	139	771-8992/117-201	138
771-8985/216-103	266	771-8992/006-601	135	771-8992/105-703	139	771-8992/117-202	138
771-8985/216-104	266	771-8992/006-602	135	771-8992/105-705	139	771-8992/117-301	138
771-8985/216-203	266	771-8992/006-603	140	771-8992/105-707	139	771-8992/117-302	138
771-8985/216-204	266	771-8992/006-605	140	771-8992/105-803	139	771-8992/117-401	138
771-8985/216-303	266	771-8992/006-607	140	771-8992/105-805	139	771-8992/117-402	138
771-8985/216-304	266	771-8992/006-701	135	771-8992/105-807	139	771-8992/117-501	138
771-8985/216-403	266	771-8992/006-702	135	771-8992/106-101	135	771-8992/117-502	138
771-8985/216-404	266	771-8992/006-703	140	771-8992/106-102	135	771-8992/117-601	138
771-8985/216-503	266	771-8992/006-705	140	771-8992/106-103	140	771-8992/117-602	138
771-8985/216-504	266	771-8992/006-707	140	771-8992/106-105	140	771-8992/117-701	138
771-8985/216-603	266	771-8992/006-801	135	771-8992/106-107	140	771-8992/117-702	138
771-8985/216-604	266	771-8992/006-802	135	771-8992/106-201	135	771-8992/117-801	138
771-8985/216-703	266	771-8992/006-803	140	771-8992/106-202	135	771-8992/117-802	138
771-8985/216-704	266	771-8992/006-805	140	771-8992/106-203	140	771-8992/205-103	139
771-8985/216-803	266	771-8992/006-807	140	771-8992/106-205	140	771-8992/205-105	139
771-8985/216-804	266	771-8992/007-101	137	771-8992/106-207	140	771-8992/205-107	139
771-8985/217-103	268	771-8992/007-102	137	771-8992/106-301	135	771-8992/205-203	139
771-8985/217-104	268	771-8992/007-201	137	771-8992/106-302	135	771-8992/205-205	139
771-8985/217-203	268	771-8992/007-202	137	771-8992/106-303	140	771-8992/205-207	139
771-8985/217-204	268	771-8992/007-301	137	771-8992/106-305	140	771-8992/205-303	139
771-8985/217-303	268	771-8992/007-302	137	771-8992/106-307	140	771-8992/205-305	139
771-8985/217-304	268	771-8992/007-401	137	771-8992/106-401	135	771-8992/205-307	139
771-8985/217-403	268	771-8992/007-402	137	771-8992/106-402	135	771-8992/205-403	139
771-8985/217-404	268	771-8992/007-501	137	771-8992/106-403	140	771-8992/205-405	139
771-8985/217-503	268	771-8992/007-502	137	771-8992/106-405	140	771-8992/205-407	139
771-8985/217-504	268	771-8992/007-601	137	771-8992/106-407	140	771-8992/205-503	139
771-8985/217-603	268	771-8992/007-602	137	771-8992/106-501	135	771-8992/205-505	139
771-8985/217-604	268	771-8992/007-701	137	771-8992/106-502	135	771-8992/205-507	139
771-8985/217-703	268	771-8992/007-702	137	771-8992/106-503	140	771-8992/205-603	139
771-8985/217-704	268	771-8992/007-801	137	771-8992/106-505	140	771-8992/205-605	139
771-8985/217-803	268	771-8992/007-802	137	771-8992/106-507	140	771-8992/205-607	139
771-8985/217-804	268	771-8992/016-101	136	771-8992/106-601	135	771-8992/205-703	139
771-8992/005-103	139	771-8992/016-102	136	771-8992/106-602	135	771-8992/205-705	139
771-8992/005-105	139	771-8992/016-201	136	771-8992/106-603	140	771-8992/205-707	139
771-8992/005-107	139	771-8992/016-202	136	771-8992/106-605	140	771-8992/205-803	139
771-8992/005-203	139	771-8992/016-301	136	771-8992/106-607	140	771-8992/205-805	139
771-8992/005-205	139	771-8992/016-302	136	771-8992/106-701	135	771-8992/205-807	139
771-8992/005-207	139	771-8992/016-401	136	771-8992/106-702	135	771-8992/206-101	135
771-8992/005-303	139	771-8992/016-402	136	771-8992/106-703	140	771-8992/206-102	135
771-8992/005-305	139	771-8992/016-501	136	771-8992/106-705	140	771-8992/206-103	140

Item No.	Page	Item No.	Page	Item No.	Page	Item No.	Page
771 Series		771 Series		771 Series		771 Series	
771-8992/206-105	140	771-8992/217-701	138	771-9973/007-301	189	771-9973/107-702	189
771-8992/206-107	140	771-8992/217-702	138	771-9973/007-302	189	771-9973/107-801	189
771-8992/206-201	135	771-8992/217-801	138	771-9973/007-401	189	771-9973/107-802	189
771-8992/206-202	135	771-8992/217-802	138	771-9973/007-402	189	771-9973/116-101	188
771-8992/206-203	140	771-8993/1004-051	183	771-9973/007-501	189	771-9973/116-102	188
771-8992/206-205	140	771-8995/008-101	251	771-9973/007-502	189	771-9973/116-201	188
771-8992/206-207	140	771-8995/008-201	251	771-9973/007-601	189	771-9973/116-202	188
771-8992/206-301	135	771-8995/008-301	251	771-9973/007-602	189	771-9973/116-301	188
771-8992/206-302	135	771-8995/008-401	251	771-9973/007-701	189	771-9973/116-302	188
771-8992/206-303	140	771-8995/008-501	251	771-9973/007-702	189	771-9973/116-401	188
771-8992/206-305	140	771-8995/008-601	251	771-9973/007-801	189	771-9973/116-402	188
771-8992/206-307	140	771-8995/008-701	251	771-9973/007-802	189	771-9973/116-501	188
771-8992/206-401	135	771-8995/008-801	251	771-9973/016-101	188	771-9973/116-502	188
771-8992/206-402	135	771-8995/018-101	252	771-9973/016-102	188	771-9973/116-601	188
771-8992/206-403	140	771-8995/018-201	252	771-9973/016-105	192	771-9973/116-602	188
771-8992/206-405	140	771-8995/018-301	252	771-9973/016-201	188	771-9973/116-701	188
771-8992/206-407	140	771-8995/018-401	252	771-9973/016-202	188	771-9973/116-702	188
771-8992/206-501	135	771-8995/018-501	252	771-9973/016-205	192	771-9973/116-801	188
771-8992/206-502	135	771-8995/018-601	252	771-9973/016-301	188	771-9973/116-802	188
771-8992/206-503	140	771-8995/018-701	252	771-9973/016-302	188	771-9973/117-101	190
771-8992/206-505	140	771-8995/018-801	252	771-9973/016-305	192	771-9973/117-102	190
771-8992/206-507	140	771-8995/108-101	251	771-9973/016-401	188	771-9973/117-201	190
771-8992/206-601	135	771-8995/108-201	251	771-9973/016-402	188	771-9973/117-202	190
771-8992/206-602	135	771-8995/108-301	251	771-9973/016-405	192	771-9973/117-301	190
771-8992/206-603	140	771-8995/108-401	251	771-9973/016-501	188	771-9973/117-302	190
771-8992/206-605	140	771-8995/108-501	251	771-9973/016-502	188	771-9973/117-401	190
771-8992/206-607	140	771-8995/108-601	251	771-9973/016-505	192	771-9973/117-402	190
771-8992/206-701	135	771-8995/108-701	251	771-9973/016-601	188	771-9973/117-501	190
771-8992/206-702	135	771-8995/108-801	251	771-9973/016-602	188	771-9973/117-502	190
771-8992/206-703	140	771-8995/118-101	252	771-9973/016-605	192	771-9973/117-601	190
771-8992/206-705	140	771-8995/118-201	252	771-9973/016-701	188	771-9973/117-602	190
771-8992/206-707	140	771-8995/118-301	252	771-9973/016-702	188	771-9973/117-701	190
771-8992/206-801	135	771-8995/118-401	252	771-9973/016-705	192	771-9973/117-702	190
771-8992/206-802	135	771-8995/118-501	252	771-9973/016-801	188	771-9973/117-801	190
771-8992/206-803	140	771-8995/118-601	252	771-9973/016-802	188	771-9973/117-802	190
771-8992/206-805	140	771-8995/118-701	252	771-9973/016-805	192	771-9973/206-101	187
771-8992/206-807	140	771-8995/118-801	252	771-9973/017-101	190	771-9973/206-102	187
771-8992/207-101	137	771-8995/208-101	251	771-9973/017-102	190	771-9973/206-104	191
771-8992/207-102	137	771-8995/208-201	251	771-9973/017-201	190	771-9973/206-105	191
771-8992/207-201	137	771-8995/208-301	251	771-9973/017-202	190	771-9973/206-201	187
771-8992/207-202	137	771-8995/208-401	251	771-9973/017-301	190	771-9973/206-202	187
771-8992/207-301	137	771-8995/208-501	251	771-9973/017-302	190	771-9973/206-204	191
771-8992/207-302	137	771-8995/208-601	251	771-9973/017-401	190	771-9973/206-205	191
771-8992/207-401	137	771-8995/208-701	251	771-9973/017-402	190	771-9973/206-301	187
771-8992/207-402	137	771-8995/208-801	251	771-9973/017-501	190	771-9973/206-302	187
771-8992/207-501	137	771-8995/218-101	252	771-9973/017-502	190	771-9973/206-304	191
771-8992/207-502	137	771-8995/218-201	252	771-9973/017-601	190	771-9973/206-305	191
771-8992/207-601	137	771-8995/218-301	252	771-9973/017-602	190	771-9973/206-401	187
771-8992/207-602	137	771-8995/218-401	252	771-9973/017-701	190	771-9973/206-402	187
771-8992/207-701	137	771-8995/218-501	252	771-9973/017-702	190	771-9973/206-404	191
771-8992/207-702	137	771-8995/218-601	252	771-9973/017-801	190	771-9973/206-405	191
771-8992/207-801	137	771-8995/218-701	252	771-9973/017-802	190	771-9973/206-501	187
771-8992/207-802	137	771-8995/218-801	252	771-9973/106-101	187	771-9973/206-502	187
771-8992/216-101	136	771-9973/006-101	187	771-9973/106-102	187	771-9973/206-504	191
771-8992/216-102	136	771-9973/006-102	187	771-9973/106-201	187	771-9973/206-505	191
771-8992/216-201	136	771-9973/006-105	191	771-9973/106-202	187	771-9973/206-601	187
771-8992/216-202	136	771-9973/006-201	187	771-9973/106-301	187	771-9973/206-602	187
771-8992/216-301	136	771-9973/006-202	187	771-9973/106-302	187	771-9973/206-604	191
771-8992/216-302	136	771-9973/006-205	191	771-9973/106-401	187	771-9973/206-605	191
771-8992/216-401	136	771-9973/006-301	187	771-9973/106-402	187	771-9973/206-701	187
771-8992/216-402	136	771-9973/006-302	187	771-9973/106-501	187	771-9973/206-702	187
771-8992/216-501	136	771-9973/006-305	191	771-9973/106-502	187	771-9973/206-704	191
771-8992/216-502	136	771-9973/006-401	187	771-9973/106-601	187	771-9973/206-705	191
771-8992/216-601	136	771-9973/006-402	187	771-9973/106-602	187	771-9973/206-801	187
771-8992/216-602	136	771-9973/006-405	191	771-9973/106-701	187	771-9973/206-802	187
771-8992/216-701	136	771-9973/006-501	187	771-9973/106-702	187	771-9973/206-804	191
771-8992/216-702	136	771-9973/006-502	187	771-9973/106-801	187	771-9973/206-805	191
771-8992/216-801	136	771-9973/006-505	191	771-9973/106-802	187	771-9973/207-101	189
771-8992/216-802	136	771-9973/006-601	187	771-9973/107-101	189	771-9973/207-102	189
771-8992/217-101	138	771-9973/006-602	187	771-9973/107-102	189	771-9973/207-201	189
771-8992/217-102	138	771-9973/006-605	191	771-9973/107-201	189	771-9973/207-202	189
771-8992/217-201	138	771-9973/006-701	187	771-9973/107-202	189	771-9973/207-301	189
771-8992/217-202	138	771-9973/006-702	187	771-9973/107-301	189	771-9973/207-302	189
771-8992/217-301	138	771-9973/006-705	191	771-9973/107-302	189	771-9973/207-401	189
771-8992/217-302	138	771-9973/006-801	187	771-9973/107-401	189	771-9973/207-402	189
771-8992/217-401	138	771-9973/006-802	187	771-9973/107-402	189	771-9973/207-501	189
771-8992/217-402	138	771-9973/006-805	191	771-9973/107-501	189	771-9973/207-502	189
771-8992/217-501	138	771-9973/007-101	189	771-9973/107-502	189	771-9973/207-601	189
771-8992/217-502	138	771-9973/007-102	189	771-9973/107-601	189	771-9973/207-602	189
771-8992/217-601	138	771-9973/007-201	189	771-9973/107-602	189	771-9973/207-701	189
771-8992/217-602	138	771-9973/007-202	189	771-9973/107-701	189	771-9973/207-702	189

Item No.	Page	Item No.	Page	Item No.	Page	Item No.	Page
771 Series		771 Series		771 Series		771 Series	
771-9985/107-201	259	771-9985/216-202	258	771-9993/006-605	186	771-9993/105-803	185
771-9985/107-202	259	771-9985/216-301	258	771-9993/006-607	186	771-9993/105-805	185
771-9985/107-301	259	771-9985/216-302	258	771-9993/006-701	179	771-9993/105-807	185
771-9985/107-302	259	771-9985/216-401	258	771-9993/006-702	179	771-9993/106-101	179
771-9985/107-401	259	771-9985/216-402	258	771-9993/006-703	186	771-9993/106-102	179
771-9985/107-402	259	771-9985/216-501	258	771-9993/006-705	186	771-9993/106-103	186
771-9985/107-501	259	771-9985/216-502	258	771-9993/006-707	186	771-9993/106-105	186
771-9985/107-502	259	771-9985/216-601	258	771-9993/006-801	179	771-9993/106-107	186
771-9985/107-601	259	771-9985/216-602	258	771-9993/006-802	179	771-9993/106-201	179
771-9985/107-602	259	771-9985/216-701	258	771-9993/006-803	186	771-9993/106-202	179
771-9985/107-701	259	771-9985/216-702	258	771-9993/006-805	186	771-9993/106-203	186
771-9985/107-702	259	771-9985/216-801	258	771-9993/006-807	186	771-9993/106-205	186
771-9985/107-801	259	771-9985/216-802	258	771-9993/007-101	181	771-9993/106-207	186
771-9985/107-802	259	771-9985/217-101	260	771-9993/007-102	181	771-9993/106-301	179
771-9985/116-101	258	771-9985/217-102	260	771-9993/007-201	181	771-9993/106-302	179
771-9985/116-102	258	771-9985/217-201	260	771-9993/007-202	181	771-9993/106-303	186
771-9985/116-201	258	771-9985/217-202	260	771-9993/007-301	181	771-9993/106-305	186
771-9985/116-202	258	771-9985/217-301	260	771-9993/007-302	181	771-9993/106-307	186
771-9985/116-301	258	771-9985/217-302	260	771-9993/007-401	181	771-9993/106-401	179
771-9985/116-302	258	771-9985/217-401	260	771-9993/007-402	181	771-9993/106-402	179
771-9985/116-401	258	771-9985/217-402	260	771-9993/007-501	181	771-9993/106-403	186
771-9985/116-402	258	771-9985/217-501	260	771-9993/007-502	181	771-9993/106-405	186
771-9985/116-501	258	771-9985/217-502	260	771-9993/007-601	181	771-9993/106-407	186
771-9985/116-502	258	771-9985/217-601	260	771-9993/007-602	181	771-9993/106-501	179
771-9985/116-601	258	771-9985/217-602	260	771-9993/007-701	181	771-9993/106-502	179
771-9985/116-602	258	771-9985/217-701	260	771-9993/007-702	181	771-9993/106-503	186
771-9985/116-701	258	771-9985/217-702	260	771-9993/007-801	181	771-9993/106-505	186
771-9985/116-702	258	771-9985/217-801	260	771-9993/007-802	181	771-9993/106-507	186
771-9985/116-801	258	771-9985/217-802	260	771-9993/016-101	180	771-9993/106-601	179
771-9985/116-802	258	771-9993/005-103	185	771-9993/016-102	180	771-9993/106-602	179
771-9985/117-101	260	771-9993/005-105	185	771-9993/016-201	180	771-9993/106-603	186
771-9985/117-102	260	771-9993/005-107	185	771-9993/016-202	180	771-9993/106-605	186
771-9985/117-201	260	771-9993/005-203	185	771-9993/016-301	180	771-9993/106-607	186
771-9985/117-202	260	771-9993/005-205	185	771-9993/016-302	180	771-9993/106-701	179
771-9985/117-301	260	771-9993/005-207	185	771-9993/016-401	180	771-9993/106-702	179
771-9985/117-302	260	771-9993/005-303	185	771-9993/016-402	180	771-9993/106-703	186
771-9985/117-401	260	771-9993/005-305	185	771-9993/016-501	180	771-9993/106-705	186
771-9985/117-402	260	771-9993/005-307	185	771-9993/016-502	180	771-9993/106-707	186
771-9985/117-501	260	771-9993/005-403	185	771-9993/016-601	180	771-9993/106-801	179
771-9985/117-502	260	771-9993/005-405	185	771-9993/016-602	180	771-9993/106-802	179
771-9985/117-601	260	771-9993/005-407	185	771-9993/016-701	180	771-9993/106-803	186
771-9985/117-602	260	771-9993/005-503	185	771-9993/016-702	180	771-9993/106-805	186
771-9985/117-701	260	771-9993/005-505	185	771-9993/016-801	180	771-9993/106-807	186
771-9985/117-702	260	771-9993/005-507	185	771-9993/016-802	180	771-9993/107-101	181
771-9985/117-801	260	771-9993/005-603	185	771-9993/017-101	182	771-9993/107-102	181
771-9985/117-802	260	771-9993/005-605	185	771-9993/017-102	182	771-9993/107-201	181
771-9985/206-101	257	771-9993/005-607	185	771-9993/017-201	182	771-9993/107-202	181
771-9985/206-102	257	771-9993/005-703	185	771-9993/017-202	182	771-9993/107-301	181
771-9985/206-201	257	771-9993/005-705	185	771-9993/017-301	182	771-9993/107-302	181
771-9985/206-202	257	771-9993/005-707	185	771-9993/017-302	182	771-9993/107-401	181
771-9985/206-301	257	771-9993/005-803	185	771-9993/017-401	182	771-9993/107-402	181
771-9985/206-302	257	771-9993/005-805	185	771-9993/017-402	182	771-9993/107-501	181
771-9985/206-401	257	771-9993/005-807	185	771-9993/017-501	182	771-9993/107-502	181
771-9985/206-402	257	771-9993/006-101	179	771-9993/017-502	182	771-9993/107-601	181
771-9985/206-501	257	771-9993/006-102	179	771-9993/017-601	182	771-9993/107-602	181
771-9985/206-502	257	771-9993/006-103	186	771-9993/017-602	182	771-9993/107-701	181
771-9985/206-601	257	771-9993/006-105	186	771-9993/017-701	182	771-9993/107-702	181
771-9985/206-602	257	771-9993/006-107	186	771-9993/017-702	182	771-9993/107-801	181
771-9985/206-701	257	771-9993/006-201	179	771-9993/017-801	182	771-9993/107-802	181
771-9985/206-702	257	771-9993/006-202	179	771-9993/017-802	182	771-9993/116-101	180
771-9985/206-801	257	771-9993/006-203	186	771-9993/105-103	185	771-9993/116-102	180
771-9985/206-802	257	771-9993/006-205	186	771-9993/105-105	185	771-9993/116-201	180
771-9985/207-101	259	771-9993/006-207	186	771-9993/105-107	185	771-9993/116-202	180
771-9985/207-102	259	771-9993/006-301	179	771-9993/105-203	185	771-9993/116-301	180
771-9985/207-201	259	771-9993/006-302	179	771-9993/105-205	185	771-9993/116-302	180
771-9985/207-202	259	771-9993/006-303	186	771-9993/105-207	185	771-9993/116-401	180
771-9985/207-301	259	771-9993/006-305	186	771-9993/105-303	185	771-9993/116-402	180
771-9985/207-302	259	771-9993/006-307	186	771-9993/105-305	185	771-9993/116-501	180
771-9985/207-401	259	771-9993/006-401	179	771-9993/105-307	185	771-9993/116-502	180
771-9985/207-402	259	771-9993/006-402	179	771-9993/105-403	185	771-9993/116-601	180
771-9985/207-501	259	771-9993/006-403	186	771-9993/105-405	185	771-9993/116-602	180
771-9985/207-502	259	771-9993/006-405	186	771-9993/105-407	185	771-9993/116-701	180
771-9985/207-601	259	771-9993/006-407	186	771-9993/105-503	185	771-9993/116-702	180
771-9985/207-602	259	771-9993/006-501	179	771-9993/105-505	185	771-9993/116-801	180
771-9985/207-701	259	771-9993/006-502	179	771-9993/105-507	185	771-9993/116-802	180
771-9985/207-702	259	771-9993/006-503	186	771-9993/105-603	185	771-9993/117-101	182
771-9985/207-801	259	771-9993/006-505	186	771-9993/105-605	185	771-9993/117-102	182
771-9985/207-802	259	771-9993/006-507	186	771-9993/105-607	185	771-9993/117-201	182
771-9985/216-101	258	771-9993/006-601	179	771-9993/105-703	185	771-9993/117-202	182
771-9985/216-102	258	771-9993/006-602	179	771-9993/105-705	185	771-9993/117-301	182
771-9985/216-201	258	771-9993/006-603	186	771-9993/105-707	185	771-9993/117-302	182

Item Number Index

Item No.	Page	Item No.	Page	Item No.	Page	Item No.	Page
771 Series		771 Series		771 Series		771 Series	
771-9993/117-401	182	771-9993/207-402	181	771-9993/3216-101	180	771-9994/016-102	216
771-9993/117-402	182	771-9993/207-501	181	771-9993/3216-201	180	771-9994/016-201	216
771-9993/117-501	182	771-9993/207-502	181	771-9993/3216-301	180	771-9994/016-202	216
771-9993/117-502	182	771-9993/207-601	181	771-9993/3216-401	180	771-9994/016-301	216
771-9993/117-601	182	771-9993/207-602	181	771-9993/3216-501	180	771-9994/016-302	216
771-9993/117-602	182	771-9993/207-701	181	771-9993/3216-601	180	771-9994/016-401	216
771-9993/117-701	182	771-9993/207-702	181	771-9993/3216-701	180	771-9994/016-402	216
771-9993/117-702	182	771-9993/207-801	181	771-9993/3216-801	180	771-9994/016-501	216
771-9993/117-801	182	771-9993/207-802	181	771-9993/3217-101	182	771-9994/016-502	216
771-9993/117-802	182	771-9993/216-101	180	771-9993/3217-201	182	771-9994/016-601	216
771-9993/205-103	185	771-9993/216-102	180	771-9993/3217-301	182	771-9994/016-602	216
771-9993/205-105	185	771-9993/216-201	180	771-9993/3217-401	182	771-9994/016-701	216
771-9993/205-107	185	771-9993/216-202	180	771-9993/3217-501	182	771-9994/016-702	216
771-9993/205-203	185	771-9993/216-301	180	771-9993/3217-601	182	771-9994/016-801	216
771-9993/205-205	185	771-9993/216-302	180	771-9993/3217-701	182	771-9994/016-802	216
771-9993/205-207	185	771-9993/216-401	180	771-9993/3217-801	182	771-9994/105-103	219
771-9993/205-303	185	771-9993/216-402	180	771-9994/005-103	219	771-9994/105-105	219
771-9993/205-305	185	771-9993/216-501	180	771-9994/005-105	219	771-9994/105-107	219
771-9993/205-307	185	771-9993/216-502	180	771-9994/005-107	219	771-9994/105-203	219
771-9993/205-403	185	771-9993/216-601	180	771-9994/005-203	219	771-9994/105-205	219
771-9993/205-405	185	771-9993/216-602	180	771-9994/005-205	219	771-9994/105-207	219
771-9993/205-407	185	771-9993/216-701	180	771-9994/005-207	219	771-9994/105-303	219
771-9993/205-503	185	771-9993/216-702	180	771-9994/005-303	219	771-9994/105-305	219
771-9993/205-505	185	771-9993/216-801	180	771-9994/005-305	219	771-9994/105-307	219
771-9993/205-507	185	771-9993/216-802	180	771-9994/005-307	219	771-9994/105-403	219
771-9993/205-603	185	771-9993/217-101	182	771-9994/005-403	219	771-9994/105-405	219
771-9993/205-605	185	771-9993/217-102	182	771-9994/005-405	219	771-9994/105-407	219
771-9993/205-607	185	771-9993/217-201	182	771-9994/005-407	219	771-9994/105-503	219
771-9993/205-703	185	771-9993/217-202	182	771-9994/005-503	219	771-9994/105-505	219
771-9993/205-705	185	771-9993/217-301	182	771-9994/005-505	219	771-9994/105-507	219
771-9993/205-707	185	771-9993/217-302	182	771-9994/005-507	219	771-9994/105-603	219
771-9993/205-803	185	771-9993/217-401	182	771-9994/005-603	219	771-9994/105-605	219
771-9993/205-805	185	771-9993/217-402	182	771-9994/005-605	219	771-9994/105-607	219
771-9993/205-807	185	771-9993/217-501	182	771-9994/005-607	219	771-9994/105-703	219
771-9993/206-101	179	771-9993/217-502	182	771-9994/005-703	219	771-9994/105-705	219
771-9993/206-102	179	771-9993/217-601	182	771-9994/005-705	219	771-9994/105-707	219
771-9993/206-103	186	771-9993/217-602	182	771-9994/005-707	219	771-9994/105-803	219
771-9993/206-105	186	771-9993/217-701	182	771-9994/005-803	219	771-9994/105-805	219
771-9993/206-107	186	771-9993/217-702	182	771-9994/005-805	219	771-9994/105-807	219
771-9993/206-201	179	771-9993/217-801	182	771-9994/005-807	219	771-9994/106-101	215
771-9993/206-202	179	771-9993/217-802	182	771-9994/006-101	215	771-9994/106-102	215
771-9993/206-203	186	771-9993/306-101	183	771-9994/006-102	215	771-9994/106-103	220
771-9993/206-205	186	771-9993/306-102	183	771-9994/006-103	220	771-9994/106-105	220
771-9993/206-207	186	771-9993/306-201	183	771-9994/006-105	220	771-9994/106-107	220
771-9993/206-301	179	771-9993/306-202	183	771-9994/006-107	220	771-9994/106-201	215
771-9993/206-302	179	771-9993/306-301	183	771-9994/006-201	215	771-9994/106-202	215
771-9993/206-303	186	771-9993/306-302	183	771-9994/006-202	215	771-9994/106-203	220
771-9993/206-305	186	771-9993/307-101	184	771-9994/006-203	220	771-9994/106-205	220
771-9993/206-307	186	771-9993/307-102	184	771-9994/006-205	220	771-9994/106-207	220
771-9993/206-401	179	771-9993/307-201	184	771-9994/006-207	220	771-9994/106-301	215
771-9993/206-402	179	771-9993/307-202	184	771-9994/006-301	215	771-9994/106-302	215
771-9993/206-403	186	771-9993/307-301	184	771-9994/006-302	215	771-9994/106-303	220
771-9993/206-405	186	771-9993/307-302	184	771-9994/006-303	220	771-9994/106-305	220
771-9993/206-407	186	771-9993/406-101	183	771-9994/006-305	220	771-9994/106-307	220
771-9993/206-501	179	771-9993/406-102	183	771-9994/006-307	220	771-9994/106-401	215
771-9993/206-502	179	771-9993/406-201	183	771-9994/006-401	215	771-9994/106-402	215
771-9993/206-503	186	771-9993/406-202	183	771-9994/006-402	215	771-9994/106-403	220
771-9993/206-505	186	771-9993/406-301	183	771-9994/006-403	220	771-9994/106-405	220
771-9993/206-507	186	771-9993/406-302	183	771-9994/006-405	220	771-9994/106-407	220
771-9993/206-601	179	771-9993/805-101	183	771-9994/006-407	220	771-9994/106-501	215
771-9993/206-602	179	771-9993/805-102	183	771-9994/006-501	215	771-9994/106-502	215
771-9993/206-603	186	771-9993/805-201	183	771-9994/006-502	215	771-9994/106-503	220
771-9993/206-605	186	771-9993/805-202	183	771-9994/006-503	220	771-9994/106-505	220
771-9993/206-607	186	771-9993/805-301	183	771-9994/006-505	220	771-9994/106-507	220
771-9993/206-701	179	771-9993/805-302	183	771-9994/006-507	220	771-9994/106-601	215
771-9993/206-702	179	771-9993/3206-101	179	771-9994/006-601	215	771-9994/106-602	215
771-9993/206-703	186	771-9993/3206-201	179	771-9994/006-602	215	771-9994/106-603	220
771-9993/206-705	186	771-9993/3206-301	179	771-9994/006-603	220	771-9994/106-605	220
771-9993/206-707	186	771-9993/3206-401	179	771-9994/006-605	220	771-9994/106-607	220
771-9993/206-801	179	771-9993/3206-501	179	771-9994/006-607	220	771-9994/106-701	215
771-9993/206-802	179	771-9993/3206-601	179	771-9994/006-701	215	771-9994/106-702	215
771-9993/206-803	186	771-9993/3206-701	179	771-9994/006-702	215	771-9994/106-703	220
771-9993/206-805	186	771-9993/3206-801	179	771-9994/006-703	220	771-9994/106-705	220
771-9993/206-807	186	771-9993/3207-101	181	771-9994/006-705	220	771-9994/106-707	220
771-9993/207-101	181	771-9993/3207-201	181	771-9994/006-707	220	771-9994/106-801	215
771-9993/207-102	181	771-9993/3207-301	181	771-9994/006-801	215	771-9994/106-802	215
771-9993/207-201	181	771-9993/3207-401	181	771-9994/006-802	215	771-9994/106-803	220
771-9993/207-202	181	771-9993/3207-501	181	771-9994/006-803	220	771-9994/106-805	220
771-9993/207-301	181	771-9993/3207-601	181	771-9994/006-805	220	771-9994/106-807	220
771-9993/207-302	181	771-9993/3207-701	181	771-9994/006-807	220	771-9994/116-101	216
771-9993/207-401	181	771-9993/3207-801	181	771-9994/016-101	216	771-9994/116-102	216

Item No.	Page	Item No.	Page	Item No.	Page	Item No.	Page
771 Series		771 Series		771 Series		771 Series	
771-9994/116-201	216	771-9994/216-202	216	771-9995/007-301	249	771-9995/106-305	256
771-9994/116-202	216	771-9994/216-301	216	771-9995/007-302	249	771-9995/106-307	256
771-9994/116-301	216	771-9994/216-302	216	771-9995/007-401	249	771-9995/106-401	247
771-9994/116-302	216	771-9994/216-401	216	771-9995/007-402	249	771-9995/106-402	247
771-9994/116-401	216	771-9994/216-402	216	771-9995/007-501	249	771-9995/106-403	256
771-9994/116-402	216	771-9994/216-501	216	771-9995/007-502	249	771-9995/106-405	256
771-9994/116-501	216	771-9994/216-502	216	771-9995/007-601	249	771-9995/106-407	256
771-9994/116-502	216	771-9994/216-601	216	771-9995/007-602	249	771-9995/106-501	247
771-9994/116-601	216	771-9994/216-602	216	771-9995/007-701	249	771-9995/106-502	247
771-9994/116-602	216	771-9994/216-701	216	771-9995/007-702	249	771-9995/106-503	256
771-9994/116-701	216	771-9994/216-702	216	771-9995/007-801	249	771-9995/106-505	256
771-9994/116-702	216	771-9994/216-801	216	771-9995/007-802	249	771-9995/106-507	256
771-9994/116-801	216	771-9994/216-802	216	771-9995/016-101	248	771-9995/106-601	247
771-9994/116-802	216	771-9995/005-103	255	771-9995/016-102	248	771-9995/106-602	247
771-9994/205-103	219	771-9995/005-105	255	771-9995/016-201	248	771-9995/106-603	256
771-9994/205-105	219	771-9995/005-107	255	771-9995/016-202	248	771-9995/106-605	256
771-9994/205-107	219	771-9995/005-203	255	771-9995/016-301	248	771-9995/106-607	256
771-9994/205-203	219	771-9995/005-205	255	771-9995/016-302	248	771-9995/106-701	247
771-9994/205-205	219	771-9995/005-207	255	771-9995/016-401	248	771-9995/106-702	247
771-9994/205-207	219	771-9995/005-303	255	771-9995/016-402	248	771-9995/106-703	256
771-9994/205-303	219	771-9995/005-305	255	771-9995/016-501	248	771-9995/106-705	256
771-9994/205-305	219	771-9995/005-307	255	771-9995/016-502	248	771-9995/106-707	256
771-9994/205-307	219	771-9995/005-403	255	771-9995/016-601	248	771-9995/106-801	247
771-9994/205-403	219	771-9995/005-405	255	771-9995/016-602	248	771-9995/106-802	247
771-9994/205-405	219	771-9995/005-407	255	771-9995/016-701	248	771-9995/106-803	256
771-9994/205-407	219	771-9995/005-503	255	771-9995/016-702	248	771-9995/106-805	256
771-9994/205-503	219	771-9995/005-505	255	771-9995/016-801	248	771-9995/106-807	256
771-9994/205-505	219	771-9995/005-507	255	771-9995/016-802	248	771-9995/107-101	249
771-9994/205-507	219	771-9995/005-603	255	771-9995/017-101	250	771-9995/107-102	249
771-9994/205-603	219	771-9995/005-605	255	771-9995/017-102	250	771-9995/107-201	249
771-9994/205-605	219	771-9995/005-607	255	771-9995/017-201	250	771-9995/107-202	249
771-9994/205-607	219	771-9995/005-703	255	771-9995/017-202	250	771-9995/107-301	249
771-9994/205-703	219	771-9995/005-705	255	771-9995/017-301	250	771-9995/107-302	249
771-9994/205-705	219	771-9995/005-707	255	771-9995/017-302	250	771-9995/107-401	249
771-9994/205-707	219	771-9995/005-803	255	771-9995/017-401	250	771-9995/107-402	249
771-9994/205-803	219	771-9995/005-805	255	771-9995/017-402	250	771-9995/107-501	249
771-9994/205-805	219	771-9995/005-807	255	771-9995/017-501	250	771-9995/107-502	249
771-9994/205-807	219	771-9995/006-101	247	771-9995/017-502	250	771-9995/107-601	249
771-9994/206-101	215	771-9995/006-102	247	771-9995/017-601	250	771-9995/107-602	249
771-9994/206-102	215	771-9995/006-103	256	771-9995/017-602	250	771-9995/107-701	249
771-9994/206-103	220	771-9995/006-105	256	771-9995/017-701	250	771-9995/107-702	249
771-9994/206-105	220	771-9995/006-107	256	771-9995/017-702	250	771-9995/107-801	249
771-9994/206-107	220	771-9995/006-201	247	771-9995/017-801	250	771-9995/107-802	249
771-9994/206-201	215	771-9995/006-202	247	771-9995/017-802	250	771-9995/116-101	248
771-9994/206-202	215	771-9995/006-203	256	771-9995/105-103	255	771-9995/116-102	248
771-9994/206-203	220	771-9995/006-205	256	771-9995/105-105	255	771-9995/116-201	248
771-9994/206-205	220	771-9995/006-207	256	771-9995/105-107	255	771-9995/116-202	248
771-9994/206-207	220	771-9995/006-301	247	771-9995/105-203	255	771-9995/116-301	248
771-9994/206-301	215	771-9995/006-302	247	771-9995/105-205	255	771-9995/116-302	248
771-9994/206-302	215	771-9995/006-303	256	771-9995/105-207	255	771-9995/116-401	248
771-9994/206-303	220	771-9995/006-305	256	771-9995/105-303	255	771-9995/116-402	248
771-9994/206-305	220	771-9995/006-307	256	771-9995/105-305	255	771-9995/116-501	248
771-9994/206-307	220	771-9995/006-401	247	771-9995/105-307	255	771-9995/116-502	248
771-9994/206-401	215	771-9995/006-402	247	771-9995/105-403	255	771-9995/116-601	248
771-9994/206-402	215	771-9995/006-403	256	771-9995/105-405	255	771-9995/116-602	248
771-9994/206-403	220	771-9995/006-405	256	771-9995/105-407	255	771-9995/116-701	248
771-9994/206-405	220	771-9995/006-407	256	771-9995/105-503	255	771-9995/116-702	248
771-9994/206-407	220	771-9995/006-501	247	771-9995/105-505	255	771-9995/116-801	248
771-9994/206-501	215	771-9995/006-502	247	771-9995/105-507	255	771-9995/116-802	248
771-9994/206-502	215	771-9995/006-503	256	771-9995/105-603	255	771-9995/117-101	250
771-9994/206-503	220	771-9995/006-505	256	771-9995/105-605	255	771-9995/117-102	250
771-9994/206-505	220	771-9995/006-507	256	771-9995/105-607	255	771-9995/117-201	250
771-9994/206-507	220	771-9995/006-601	247	771-9995/105-703	255	771-9995/117-202	250
771-9994/206-601	215	771-9995/006-602	247	771-9995/105-705	255	771-9995/117-301	250
771-9994/206-602	215	771-9995/006-603	256	771-9995/105-707	255	771-9995/117-302	250
771-9994/206-603	220	771-9995/006-605	256	771-9995/105-803	255	771-9995/117-401	250
771-9994/206-605	220	771-9995/006-607	256	771-9995/105-805	255	771-9995/117-402	250
771-9994/206-607	220	771-9995/006-701	247	771-9995/105-807	255	771-9995/117-501	250
771-9994/206-701	215	771-9995/006-702	247	771-9995/106-101	247	771-9995/117-502	250
771-9994/206-702	215	771-9995/006-703	256	771-9995/106-102	247	771-9995/117-601	250
771-9994/206-703	220	771-9995/006-705	256	771-9995/106-103	256	771-9995/117-602	250
771-9994/206-705	220	771-9995/006-707	256	771-9995/106-105	256	771-9995/117-701	250
771-9994/206-707	220	771-9995/006-801	247	771-9995/106-107	256	771-9995/117-702	250
771-9994/206-801	215	771-9995/006-802	247	771-9995/106-201	247	771-9995/117-801	250
771-9994/206-802	215	771-9995/006-803	256	771-9995/106-202	247	771-9995/117-802	250
771-9994/206-803	220	771-9995/006-805	256	771-9995/106-203	256	771-9995/205-103	255
771-9994/206-805	220	771-9995/006-807	256	771-9995/106-205	256	771-9995/205-105	255
771-9994/206-807	220	771-9995/007-101	249	771-9995/106-207	256	771-9995/205-107	255
771-9994/216-101	216	771-9995/007-102	249	771-9995/106-301	247	771-9995/205-203	255
771-9994/216-102	216	771-9995/007-201	249	771-9995/106-302	247	771-9995/205-205	255
771-9994/216-201	216	771-9995/007-202	249	771-9995/106-303	256	771-9995/205-207	255

Item Number Index

Item No.	Page	Item No.	Page	Item No.	Page	Item No.	Page
771 Series		771 Series		774 Series		774 Series	
771-9995/205-303	255	771-9995/216-402	248	774-9973/206-805	287	774-9993/017-501	286
771-9995/205-305	255	771-9995/216-501	248	774-9973/216-105	288	774-9993/017-502	286
771-9995/205-307	255	771-9995/216-502	248	774-9973/216-205	288	774-9993/017-601	286
771-9995/205-403	255	771-9995/216-601	248	774-9973/216-305	288	774-9993/017-602	286
771-9995/205-405	255	771-9995/216-602	248	774-9973/216-405	288	774-9993/017-701	286
771-9995/205-407	255	771-9995/216-701	248	774-9973/216-505	288	774-9993/017-702	286
771-9995/205-503	255	771-9995/216-702	248	774-9973/216-605	288	774-9993/017-801	286
771-9995/205-505	255	771-9995/216-801	248	774-9973/216-705	288	774-9993/017-802	286
771-9995/205-507	255	771-9995/216-802	248	774-9973/216-805	288	774-9993/106-101	283
771-9995/205-603	255	771-9995/217-101	250	774-9973/1506-105	287	774-9993/106-102	283
771-9995/205-605	255	771-9995/217-102	250	774-9973/1506-205	287	774-9993/106-201	283
771-9995/205-607	255	771-9995/217-201	250	774-9973/1506-305	287	774-9993/106-202	283
771-9995/205-703	255	771-9995/217-202	250	774-9973/1506-405	287	774-9993/106-301	283
771-9995/205-705	255	771-9995/217-301	250	774-9973/1506-505	287	774-9993/106-302	283
771-9995/205-707	255	771-9995/217-302	250	774-9973/1506-605	287	774-9993/106-401	283
771-9995/205-803	255	771-9995/217-401	250	774-9973/1506-705	287	774-9993/106-402	283
771-9995/205-805	255	771-9995/217-402	250	774-9973/1506-805	287	774-9993/106-501	283
771-9995/205-807	255	771-9995/217-501	250	774-9973/1516-105	288	774-9993/106-502	283
771-9995/206-101	247	771-9995/217-502	250	774-9973/1516-205	288	774-9993/106-601	283
771-9995/206-102	247	771-9995/217-601	250	774-9973/1516-305	288	774-9993/106-602	283
771-9995/206-103	256	771-9995/217-602	250	774-9973/1516-405	288	774-9993/106-701	283
771-9995/206-105	256	771-9995/217-701	250	774-9973/1516-505	288	774-9993/106-702	283
771-9995/206-107	256	771-9995/217-702	250	774-9973/1516-605	288	774-9993/106-801	283
771-9995/206-201	247	771-9995/217-801	250	774-9973/1516-705	288	774-9993/106-802	283
771-9995/206-202	247	771-9995/217-802	250	774-9973/1516-805	288	774-9993/107-101	285
771-9995/206-203	256			774-9993/006-101	283	774-9993/107-102	285
771-9995/206-205	256			774-9993/006-102	283	774-9993/107-201	285
771-9995/206-207	256			774-9993/006-201	283	774-9993/107-202	285
771-9995/206-301	247			774-9993/006-202	283	774-9993/107-301	285
771-9995/206-302	247			774-9993/006-301	283	774-9993/107-302	285
771-9995/206-303	256			774-9993/006-302	283	774-9993/107-401	285
771-9995/206-305	256			774-9993/006-401	283	774-9993/107-402	285
771-9995/206-307	256			774-9993/006-402	283	774-9993/107-501	285
771-9995/206-401	247			774-9993/006-501	283	774-9993/107-502	285
771-9995/206-402	247			774-9993/006-502	283	774-9993/107-601	285
771-9995/206-403	256			774-9993/006-601	283	774-9993/107-602	285
771-9995/206-405	256			774-9993/006-602	283	774-9993/107-701	285
771-9995/206-407	256			774-9993/006-701	283	774-9993/107-702	285
771-9995/206-501	247			774-9993/006-702	283	774-9993/107-801	285
771-9995/206-502	247			774-9993/006-801	283	774-9993/107-802	285
771-9995/206-503	256			774-9993/006-802	283	774-9993/116-101	284
771-9995/206-505	256			774-9993/007-101	285	774-9993/116-102	284
771-9995/206-507	256			774-9993/007-102	285	774-9993/116-201	284
771-9995/206-601	247			774-9993/007-201	285	774-9993/116-202	284
771-9995/206-602	247			774-9993/007-202	285	774-9993/116-301	284
771-9995/206-603	256			774-9993/007-301	285	774-9993/116-302	284
771-9995/206-605	256			774-9993/007-302	285	774-9993/116-401	284
771-9995/206-607	256			774-9993/007-401	285	774-9993/116-402	284
771-9995/206-701	247			774-9993/007-402	285	774-9993/116-501	284
771-9995/206-702	247			774-9993/007-501	285	774-9993/116-502	284
771-9995/206-703	256			774-9993/007-502	285	774-9993/116-601	284
771-9995/206-705	256			774-9993/007-601	285	774-9993/116-602	284
771-9995/206-707	256			774-9993/007-602	285	774-9993/116-701	284
771-9995/206-801	247			774-9993/007-701	285	774-9993/116-702	284
771-9995/206-802	247			774-9993/007-702	285	774-9993/116-801	284
771-9995/206-803	256			774-9993/007-801	285	774-9993/116-802	284
771-9995/206-805	256			774-9993/007-802	285	774-9993/117-101	286
771-9995/206-807	256			774-9993/016-101	284	774-9993/117-102	286
771-9995/207-101	249			774-9993/016-102	284	774-9993/117-201	286
771-9995/207-102	249			774-9993/016-201	284	774-9993/117-202	286
771-9995/207-201	249			774-9993/016-202	284	774-9993/117-301	286
771-9995/207-202	249			774-9993/016-301	284	774-9993/117-302	286
771-9995/207-301	249			774-9993/016-302	284	774-9993/117-401	286
771-9995/207-302	249			774-9993/016-401	284	774-9993/117-402	286
771-9995/207-401	249			774-9993/016-402	284	774-9993/117-501	286
771-9995/207-402	249			774-9993/016-501	284	774-9993/117-502	286
771-9995/207-501	249			774-9993/016-502	284	774-9993/117-601	286
771-9995/207-502	249			774-9993/016-601	284	774-9993/117-602	286
771-9995/207-601	249			774-9993/016-602	284	774-9993/117-701	286
771-9995/207-602	249			774-9993/016-701	284	774-9993/117-702	286
771-9995/207-701	249			774-9993/016-702	284	774-9993/117-801	286
771-9995/207-702	249			774-9993/016-801	284	774-9993/117-802	286
771-9995/207-801	249			774-9993/016-802	284	774-9993/206-101	283
771-9995/207-802	249			774-9993/017-101	286	774-9993/206-102	283
771-9995/216-101	248			774-9993/017-102	286	774-9993/206-201	283
771-9995/216-102	248			774-9993/017-201	286	774-9993/206-202	283
771-9995/216-201	248			774-9993/017-202	286	774-9993/206-301	283
771-9995/216-202	248			774-9993/017-301	286	774-9993/206-302	283
771-9995/216-301	248			774-9993/017-302	286	774-9993/206-401	283
771-9995/216-302	248			774-9993/017-401	286	774-9993/206-402	283
771-9995/216-401	248			774-9993/017-402	286	774-9993/206-501	283

Item No.	Page	Item No.	Page	Item No.	Page	Item No.	Page
774 Series		774 Series		774 Series		890 Series	
774-9993/206-502	283	774-9994/006-601	291	774-9994/216-602	292	890-264/071-000	76
774-9993/206-601	283	774-9994/006-602	291	774-9994/216-701	292	890-264/072-000	76
774-9993/206-602	283	774-9994/006-701	291	774-9994/216-702	292	890-264/073-000	76
774-9993/206-701	283	774-9994/006-702	291	774-9994/216-801	292	890-265	98
774-9993/206-702	283	774-9994/006-801	291	774-9994/216-802	292	890-265/073-000	98
774-9993/206-801	283	774-9994/006-802	291			890-272	31
774-9993/206-802	283	774-9994/016-101	292			890-273	54
774-9993/207-101	285	774-9994/016-102	292	831 Series		890-273/071-000	54
774-9993/207-102	285	774-9994/016-201	292	831-3105/1019-004	279	890-273/073-000	54
774-9993/207-201	285	774-9994/016-202	292	831-3105/1019-050	279	890-274	76
774-9993/207-202	285	774-9994/016-301	292	831-3205/1020-004	279	890-274/071-000	76
774-9993/207-301	285	774-9994/016-302	292	831-3205/1020-050	279	890-274/072-000	76
774-9993/207-302	285	774-9994/016-401	292			890-274/073-000	76
774-9993/207-401	285	774-9994/016-402	292	890 Series		890-275	98
774-9993/207-402	285	774-9994/016-501	292	890-101	29	890-275/073-000	98
774-9993/207-501	285	774-9994/016-502	292	890-102	29	890-282	31
774-9993/207-502	285	774-9994/016-601	292	890-103	53	890-282/080-000	31
774-9993/207-601	285	774-9994/016-602	292	890-104	75	890-282/082-000	31
774-9993/207-602	285	774-9994/016-701	292	890-105	97	890-283	54
774-9993/207-701	285	774-9994/016-702	292	890-111	29	890-283/081-000	54
774-9993/207-702	285	774-9994/016-801	292	890-112	29	890-283/082-000	54
774-9993/207-801	285	774-9994/016-802	292	890-113	53	890-284	76
774-9993/207-802	285	774-9994/106-101	291	890-114	75	890-284/081-000	76
774-9993/216-101	284	774-9994/106-102	291	890-115	97	890-285	98
774-9993/216-102	284	774-9994/106-201	291	890-121	29	890-285/080-000	98
774-9993/216-201	284	774-9994/106-202	291	890-122	29	890-285/082-000	98
774-9993/216-202	284	774-9994/106-301	291	890-123	53	890-292	31
774-9993/216-301	284	774-9994/106-302	291	890-124	75	890-292/080-000	31
774-9993/216-302	284	774-9994/106-401	291	890-125	97	890-292/082-000	31
774-9993/216-401	284	774-9994/106-402	291	890-131	29	890-293	54
774-9993/216-402	284	774-9994/106-501	291	890-132	29	890-293/081-000	54
774-9993/216-501	284	774-9994/106-502	291	890-133	53	890-293/082-000	54
774-9993/216-502	284	774-9994/106-601	291	890-134	75	890-294	76
774-9993/216-601	284	774-9994/106-602	291	890-135	97	890-294/081-000	76
774-9993/216-602	284	774-9994/106-701	291	890-202	31	890-295	98
774-9993/216-701	284	774-9994/106-702	291	890-202/342-000	29	890-295/080-000	98
774-9993/216-702	284	774-9994/106-801	291	890-203	54	890-295/082-000	98
774-9993/216-801	284	774-9994/106-802	291	890-204	76	890-302	385
774-9993/216-802	284	774-9994/116-101	292	890-205	98	890-303	385
774-9993/217-101	286	774-9994/116-102	292	890-212	31	890-304	385
774-9993/217-102	286	774-9994/116-201	292	890-212/342-000	29	890-305	385
774-9993/217-201	286	774-9994/116-202	292	890-213	54	890-310	29
774-9993/217-202	286	774-9994/116-301	292	890-214	76	890-311	29
774-9993/217-301	286	774-9994/116-302	292	890-215	98	890-382	29
774-9993/217-302	286	774-9994/116-401	292	890-222	31	890-383	53
774-9993/217-401	286	774-9994/116-402	292	890-223	54	890-384	75
774-9993/217-402	286	774-9994/116-501	292	890-224	76	890-385	97
774-9993/217-501	286	774-9994/116-502	292	890-225	98	890-502	31
774-9993/217-502	286	774-9994/116-601	292	890-232	31	890-502/342-000	31
774-9993/217-601	286	774-9994/116-602	292	890-233	54	890-503	54
774-9993/217-602	286	774-9994/116-701	292	890-234	76	890-504	76
774-9993/217-701	286	774-9994/116-702	292	890-235	98	890-505	98
774-9993/217-702	286	774-9994/116-801	292	890-242	31	890-512	31
774-9993/217-801	286	774-9994/116-802	292	890-242/060-000	31	890-512/342-000	31
774-9993/217-802	286	774-9994/206-101	291	890-243	54	890-513	54
774-9993/1507-101	285	774-9994/206-102	291	890-243/060-000	54	890-514	76
774-9993/1507-201	285	774-9994/206-201	291	890-243/062-000	54	890-515	98
774-9993/1507-301	285	774-9994/206-202	291	890-244	76	890-523	367
774-9993/1507-401	285	774-9994/206-301	291	890-244/060-000	76	890-524	367
774-9993/1507-501	285	774-9994/206-302	291	890-244/062-000	76	890-525	367
774-9993/1507-601	285	774-9994/206-401	291	890-244/064-000	76	890-526	367
774-9993/1507-701	285	774-9994/206-402	291	890-245	98	890-527	367
774-9993/1507-801	285	774-9994/206-501	291	890-245/060-000	98	890-601	368
774-9993/1517-101	286	774-9994/206-502	291	890-245/062-000	98	890-603	63
774-9993/1517-201	286	774-9994/206-601	291	890-252	31	890-604	85
774-9993/1517-301	286	774-9994/206-602	291	890-252/060-000	31	890-605	107
774-9993/1517-401	286	774-9994/206-701	291	890-253	54	890-606	64
774-9993/1517-501	286	774-9994/206-702	291	890-253/060-000	54	890-615	64
774-9993/1517-601	286	774-9994/206-801	291	890-253/062-000	54	890-617	108
774-9993/1517-701	286	774-9994/206-802	291	890-254	76	890-619	107
774-9993/1517-801	286	774-9994/216-101	292	890-254/060-000	76	890-620	108
774-9994/006-101	291	774-9994/216-102	292	890-254/062-000	76	890-621	108
774-9994/006-102	291	774-9994/216-201	292	890-254/064-000	76	890-622	108
774-9994/006-201	291	774-9994/216-202	292	890-255	98	890-623	65
774-9994/006-202	291	774-9994/216-301	292	890-255/060-000	98	890-624	87
774-9994/006-301	291	774-9994/216-302	292	890-255/062-000	98	890-625	109
774-9994/006-302	291	774-9994/216-401	292	890-262	31	890-626	86
774-9994/006-401	291	774-9994/216-402	292	890-263	54	890-627	86
774-9994/006-402	291	774-9994/216-501	292	890-263/071-000	54	890-634	65
774-9994/006-501	291	774-9994/216-502	292	890-263/073-000	54	890-636	65
774-9994/006-502	291	774-9994/216-601	292	890-264	76	890-642	33

Item Number Index

Item No.	Page	Item No.	Page	Item No.	Page	Item No.	Page
890 Series		890 Series		890 Series		890 Series	
890-643	57	890-782/082-000	33	890-874/011-000	82	890-3105/011-000	104
890-644	79	890-783	57	890-875	103	890-3112	35
890-653	63	890-783/081-000	57	890-875/011-000	104	890-3112/011-000	36
890-654	85	890-783/082-000	57	890-882	35	890-3115	103
890-655	107	890-784	79	890-882/011-000	36	890-3115/011-000	104
890-656	64	890-784/081-000	79	890-883	59		
890-665	64	890-785	101	890-883/011-000	60		
890-671	108	890-785/080-000	101	890-884	81	891 Series	
890-672	108	890-785/082-000	101	890-884/011-000	82	891-8982/006-101	49
890-673	65	890-792	33	890-885	103	891-8982/006-102	49
890-674	87	890-792/080-000	33	890-885/011-000	104	891-8982/006-201	49
890-675	109	890-792/082-000	33	890-892	35	891-8982/006-202	49
890-676	86	890-793	57	890-892/011-000	36	891-8982/006-301	49
890-677	86	890-793/081-000	57	890-893	59	891-8982/006-302	49
890-684	65	890-793/082-000	57	890-893/011-000	60	891-8982/006-401	49
890-686	65	890-794	79	890-894	81	891-8982/006-402	49
890-692	33	890-794/081-000	79	890-894/011-000	82	891-8982/006-501	49
890-693	57	890-795	101	890-895	103	891-8982/006-502	49
890-694	79	890-795/080-000	101	890-895/011-000	104	891-8982/006-601	49
890-702	33	890-795/082-000	101	890-929	109	891-8982/006-602	49
890-703	57	890-802	35	890-930	109	891-8982/006-701	49
890-704	79	890-802/011-000	36	890-944	87	891-8982/006-702	49
890-705	101	890-803	59	890-945	87	891-8982/006-801	49
890-712	33	890-803/011-000	60	890-979	109	891-8982/006-802	49
890-713	57	890-804	81	890-980	109	891-8982/016-101	50
890-714	79	890-804/011-000	82	890-982	109	891-8982/016-102	50
890-715	101	890-805	103	890-983	109	891-8982/016-201	50
890-722	33	890-805/011-000	104	890-994	87	891-8982/016-202	50
890-723	57	890-812	35	890-995	87	891-8982/016-301	50
890-724	79	890-812/011-000	36	890-1102	31	891-8982/016-302	50
890-725	101	890-813	59	890-1105	98	891-8982/016-401	50
890-732	33	890-813/011-000	60	890-1112	31	891-8982/016-402	50
890-733	57	890-814	81	890-1115	98	891-8982/016-501	50
890-734	79	890-814/011-000	82	890-1601	39	891-8982/016-502	50
890-735	101	890-815	103	890-1602	39	891-8982/016-601	50
890-742	33	890-815/011-000	104	890-1603	39	891-8982/016-602	50
890-742/060-000	33	890-822	35	890-1606	39	891-8982/016-701	50
890-743	57	890-822/011-000	36	890-1615	39	891-8982/016-702	50
890-743/060-000	57	890-823	59	890-1617	39	891-8982/016-801	50
890-743/062-000	57	890-823/011-000	60	890-1620	39	891-8982/016-802	50
890-744	79	890-824	81	890-1622	40	891-8982/106-101	49
890-744/060-000	79	890-824/011-000	82	890-1631	86	891-8982/106-102	49
890-744/062-000	79	890-825	103	890-1632	86	891-8982/106-201	49
890-744/064-000	79	890-825/011-000	104	890-1633	86	891-8982/106-202	49
890-745	101	890-832	35	890-1634	40	891-8982/106-301	49
890-745/060-000	101	890-832/011-000	36	890-1636	40	891-8982/106-302	49
890-745/062-000	101	890-833	59	890-1656	39	891-8982/106-401	49
890-752	33	890-833/011-000	60	890-1661	65	891-8982/106-402	49
890-752/060-000	33	890-834	81	890-1662	65	891-8982/106-501	49
890-753	57	890-834/011-000	82	890-1663	65	891-8982/106-502	49
890-753/060-000	57	890-835	103	890-1665	39	891-8982/106-601	49
890-753/062-000	57	890-835/011-000	104	890-1672	40	891-8982/106-602	49
890-754	79	890-842	35	890-1681	87	891-8982/106-701	49
890-754/060-000	79	890-842/011-000	36	890-1682	87	891-8982/106-702	49
890-754/062-000	79	890-843	59	890-1683	87	891-8982/106-801	49
890-754/064-000	79	890-843/011-000	60	890-1684	40	891-8982/106-802	49
890-755	101	890-844	81	890-1686	40	891-8982/116-101	50
890-755/060-000	101	890-844/011-000	82	890-1701	39	891-8982/116-102	50
890-755/062-000	101	890-845	103	890-1702	39	891-8982/116-201	50
890-762	33	890-845/011-000	104	890-1703	39	891-8982/116-202	50
890-763	57	890-852	35	890-1731	86	891-8982/116-301	50
890-763/071-000	57	890-852/011-000	36	890-1732	86	891-8982/116-302	50
890-763/073-000	57	890-853	59	890-1733	86	891-8982/116-401	50
890-764	79	890-853/011-000	60	890-1734	88	891-8982/116-402	50
890-764/071-000	79	890-854	81	890-1735	88	891-8982/116-501	50
890-764/072-000	79	890-854/011-000	82	890-1736	88	891-8982/116-502	50
890-764/073-000	79	890-855	103	890-1761	65	891-8982/116-601	50
890-765	101	890-855/011-000	104	890-1762	65	891-8982/116-602	50
890-765/073-000	101	890-862	35	890-1763	65	891-8982/116-701	50
890-772	33	890-862/011-000	36	890-1781	87	891-8982/116-702	50
890-773	57	890-863	59	890-1782	87	891-8982/116-801	50
890-773/071-000	57	890-863/011-000	60	890-1783	87	891-8982/116-802	50
890-773/073-000	57	890-864	81	890-1904	41	891-8982/206-101	49
890-774	79	890-864/011-000	82	890-1907	41	891-8982/206-102	49
890-774/071-000	79	890-865	103	890-2102	33	891-8982/206-201	49
890-774/072-000	79	890-865/011-000	104	890-2105	101	891-8982/206-202	49
890-774/073-000	79	890-872	35	890-2112	33	891-8982/206-301	49
890-775	101	890-872/011-000	36	890-2115	101	891-8982/206-302	49
890-775/073-000	101	890-873	59	890-3102	35	891-8982/206-401	49
890-782	33	890-873/011-000	60	890-3102/011-000	36	891-8982/206-402	49
890-782/080-000	33	890-874	81	890-3105	103	891-8982/206-501	49

Item No.	Page	Item No.	Page	Item No.	Page	Item No.	Page
891 Series		891 Series		891 Series		891 Series	
891-8982/206-502	49	891-8985/116-601	116	891-8992/006-105	48	891-8992/105-303	47
891-8982/206-601	49	891-8985/116-602	116	891-8992/006-107	48	891-8992/105-305	47
891-8982/206-602	49	891-8985/116-701	116	891-8992/006-201	45	891-8992/105-307	47
891-8982/206-701	49	891-8985/116-702	116	891-8992/006-202	45	891-8992/105-401	43
891-8982/206-702	49	891-8985/116-801	116	891-8992/006-203	48	891-8992/105-402	43
891-8982/206-801	49	891-8985/116-802	116	891-8992/006-205	48	891-8992/105-403	47
891-8982/206-802	49	891-8985/206-101	115	891-8992/006-207	48	891-8992/105-405	47
891-8982/216-101	50	891-8985/206-102	115	891-8992/006-301	45	891-8992/105-407	47
891-8982/216-102	50	891-8985/206-201	115	891-8992/006-302	45	891-8992/105-501	43
891-8982/216-201	50	891-8985/206-202	115	891-8992/006-303	48	891-8992/105-502	43
891-8982/216-202	50	891-8985/206-301	115	891-8992/006-305	48	891-8992/105-503	47
891-8982/216-301	50	891-8985/206-302	115	891-8992/006-307	48	891-8992/105-505	47
891-8982/216-302	50	891-8985/206-401	115	891-8992/006-401	45	891-8992/105-507	47
891-8982/216-401	50	891-8985/206-402	115	891-8992/006-402	45	891-8992/105-601	43
891-8982/216-402	50	891-8985/206-501	115	891-8992/006-403	48	891-8992/105-602	43
891-8982/216-501	50	891-8985/206-502	115	891-8992/006-405	48	891-8992/105-603	47
891-8982/216-502	50	891-8985/206-601	115	891-8992/006-407	48	891-8992/105-605	47
891-8982/216-601	50	891-8985/206-602	115	891-8992/006-501	45	891-8992/105-607	47
891-8982/216-602	50	891-8985/206-701	115	891-8992/006-502	45	891-8992/105-701	43
891-8982/216-701	50	891-8985/206-702	115	891-8992/006-503	48	891-8992/105-702	43
891-8982/216-702	50	891-8985/206-801	115	891-8992/006-505	48	891-8992/105-703	47
891-8982/216-801	50	891-8985/206-802	115	891-8992/006-507	48	891-8992/105-705	47
891-8982/216-802	50	891-8985/216-101	116	891-8992/006-601	45	891-8992/105-707	47
891-8985/006-101	115	891-8985/216-102	116	891-8992/006-602	45	891-8992/105-801	43
891-8985/006-102	115	891-8985/216-201	116	891-8992/006-603	48	891-8992/105-802	43
891-8985/006-201	115	891-8985/216-202	116	891-8992/006-605	48	891-8992/105-803	47
891-8985/006-202	115	891-8985/216-301	116	891-8992/006-607	48	891-8992/105-805	47
891-8985/006-301	115	891-8985/216-302	116	891-8992/006-701	45	891-8992/105-807	47
891-8985/006-302	115	891-8985/216-401	116	891-8992/006-702	45	891-8992/106-101	45
891-8985/006-401	115	891-8985/216-402	116	891-8992/006-703	48	891-8992/106-102	45
891-8985/006-402	115	891-8985/216-501	116	891-8992/006-705	48	891-8992/106-103	48
891-8985/006-501	115	891-8985/216-502	116	891-8992/006-707	48	891-8992/106-105	48
891-8985/006-502	115	891-8985/216-601	116	891-8992/006-801	45	891-8992/106-107	48
891-8985/006-601	115	891-8985/216-602	116	891-8992/006-802	45	891-8992/106-201	45
891-8985/006-602	115	891-8985/216-701	116	891-8992/006-803	48	891-8992/106-202	45
891-8985/006-701	115	891-8985/216-702	116	891-8992/006-805	48	891-8992/106-203	48
891-8985/006-702	115	891-8985/216-801	116	891-8992/006-807	48	891-8992/106-205	48
891-8985/006-801	115	891-8985/216-802	116	891-8992/015-101	44	891-8992/106-207	48
891-8985/006-802	115	891-8992/005-101	43	891-8992/015-102	44	891-8992/106-301	45
891-8985/016-101	116	891-8992/005-102	43	891-8992/015-201	44	891-8992/106-302	45
891-8985/016-102	116	891-8992/005-103	47	891-8992/015-202	44	891-8992/106-303	48
891-8985/016-201	116	891-8992/005-105	47	891-8992/015-301	44	891-8992/106-305	48
891-8985/016-202	116	891-8992/005-107	47	891-8992/015-302	44	891-8992/106-307	48
891-8985/016-301	116	891-8992/005-201	43	891-8992/015-401	44	891-8992/106-401	45
891-8985/016-302	116	891-8992/005-202	43	891-8992/015-402	44	891-8992/106-402	45
891-8985/016-401	116	891-8992/005-203	47	891-8992/015-501	44	891-8992/106-403	48
891-8985/016-402	116	891-8992/005-205	47	891-8992/015-502	44	891-8992/106-405	48
891-8985/016-501	116	891-8992/005-207	47	891-8992/015-601	44	891-8992/106-407	48
891-8985/016-502	116	891-8992/005-301	43	891-8992/015-602	44	891-8992/106-501	45
891-8985/016-601	116	891-8992/005-302	43	891-8992/015-701	44	891-8992/106-502	45
891-8985/016-602	116	891-8992/005-303	47	891-8992/015-702	44	891-8992/106-503	48
891-8985/016-701	116	891-8992/005-305	47	891-8992/015-801	44	891-8992/106-505	48
891-8985/016-702	116	891-8992/005-307	47	891-8992/015-802	44	891-8992/106-507	48
891-8985/016-801	116	891-8992/005-401	43	891-8992/016-101	46	891-8992/106-601	45
891-8985/016-802	116	891-8992/005-402	43	891-8992/016-102	46	891-8992/106-602	45
891-8985/106-101	115	891-8992/005-403	47	891-8992/016-201	46	891-8992/106-603	48
891-8985/106-102	115	891-8992/005-405	47	891-8992/016-202	46	891-8992/106-605	48
891-8985/106-201	115	891-8992/005-407	47	891-8992/016-301	46	891-8992/106-607	48
891-8985/106-202	115	891-8992/005-501	43	891-8992/016-302	46	891-8992/106-701	45
891-8985/106-301	115	891-8992/005-502	43	891-8992/016-401	46	891-8992/106-702	45
891-8985/106-302	115	891-8992/005-503	47	891-8992/016-402	46	891-8992/106-703	48
891-8985/106-401	115	891-8992/005-505	47	891-8992/016-501	46	891-8992/106-705	48
891-8985/106-402	115	891-8992/005-507	47	891-8992/016-502	46	891-8992/106-707	48
891-8985/106-501	115	891-8992/005-601	43	891-8992/016-601	46	891-8992/106-801	45
891-8985/106-502	115	891-8992/005-602	43	891-8992/016-602	46	891-8992/106-802	45
891-8985/106-601	115	891-8992/005-603	47	891-8992/016-701	46	891-8992/106-803	48
891-8985/106-602	115	891-8992/005-605	47	891-8992/016-702	46	891-8992/106-805	48
891-8985/106-701	115	891-8992/005-607	47	891-8992/016-801	46	891-8992/106-807	48
891-8985/106-702	115	891-8992/005-701	43	891-8992/016-802	46	891-8992/115-101	44
891-8985/106-801	115	891-8992/005-702	43	891-8992/105-101	43	891-8992/115-102	44
891-8985/106-802	115	891-8992/005-703	47	891-8992/105-102	43	891-8992/115-201	44
891-8985/116-101	116	891-8992/005-705	47	891-8992/105-103	47	891-8992/115-202	44
891-8985/116-102	116	891-8992/005-707	47	891-8992/105-105	47	891-8992/115-301	44
891-8985/116-201	116	891-8992/005-801	43	891-8992/105-107	47	891-8992/115-302	44
891-8985/116-202	116	891-8992/005-802	43	891-8992/105-201	43	891-8992/115-401	44
891-8985/116-301	116	891-8992/005-803	47	891-8992/105-202	43	891-8992/115-402	44
891-8985/116-302	116	891-8992/005-805	47	891-8992/105-203	47	891-8992/115-501	44
891-8985/116-401	116	891-8992/005-807	47	891-8992/105-205	47	891-8992/115-502	44
891-8985/116-402	116	891-8992/006-101	45	891-8992/105-207	47	891-8992/115-601	44
891-8985/116-501	116	891-8992/006-102	45	891-8992/105-301	43	891-8992/115-602	44
891-8985/116-502	116	891-8992/006-103	48	891-8992/105-302	43	891-8992/115-701	44

Item Number Index

Item No.	Page	Item No.	Page	Item No.	Page	Item No.	Page
891 Series		891 Series		891 Series		891 Series	
891-8992/115-702	44	891-8992/206-503	48	891-8993/005-702	67	891-8993/105-101	67
891-8992/115-801	44	891-8992/206-505	48	891-8993/005-703	71	891-8993/105-102	67
891-8992/115-802	44	891-8992/206-507	48	891-8993/005-705	71	891-8993/105-103	71
891-8992/116-101	46	891-8992/206-601	45	891-8993/005-707	71	891-8993/105-105	71
891-8992/116-102	46	891-8992/206-602	45	891-8993/005-801	67	891-8993/105-107	71
891-8992/116-201	46	891-8992/206-603	48	891-8993/005-802	67	891-8993/105-201	67
891-8992/116-202	46	891-8992/206-605	48	891-8993/005-803	71	891-8993/105-202	67
891-8992/116-301	46	891-8992/206-607	48	891-8993/005-805	71	891-8993/105-203	71
891-8992/116-302	46	891-8992/206-701	45	891-8993/005-807	71	891-8993/105-205	71
891-8992/116-401	46	891-8992/206-702	45	891-8993/006-101	69	891-8993/105-207	71
891-8992/116-402	46	891-8992/206-703	48	891-8993/006-102	69	891-8993/105-301	67
891-8992/116-501	46	891-8992/206-705	48	891-8993/006-103	72	891-8993/105-302	67
891-8992/116-502	46	891-8992/206-707	48	891-8993/006-105	72	891-8993/105-303	71
891-8992/116-601	46	891-8992/206-801	45	891-8993/006-107	72	891-8993/105-305	71
891-8992/116-602	46	891-8992/206-802	45	891-8993/006-201	69	891-8993/105-307	71
891-8992/116-701	46	891-8992/206-803	48	891-8993/006-202	69	891-8993/105-401	67
891-8992/116-702	46	891-8992/206-805	48	891-8993/006-203	72	891-8993/105-402	67
891-8992/116-801	46	891-8992/206-807	48	891-8993/006-205	72	891-8993/105-403	71
891-8992/116-802	46	891-8992/215-101	44	891-8993/006-207	72	891-8993/105-405	71
891-8992/205-101	43	891-8992/215-102	44	891-8993/006-301	69	891-8993/105-407	71
891-8992/205-102	43	891-8992/215-201	44	891-8993/006-302	69	891-8993/105-501	67
891-8992/205-103	47	891-8992/215-202	44	891-8993/006-303	72	891-8993/105-502	67
891-8992/205-105	47	891-8992/215-301	44	891-8993/006-305	72	891-8993/105-503	71
891-8992/205-107	47	891-8992/215-302	44	891-8993/006-307	72	891-8993/105-505	71
891-8992/205-201	43	891-8992/215-401	44	891-8993/006-401	69	891-8993/105-507	71
891-8992/205-202	43	891-8992/215-402	44	891-8993/006-402	69	891-8993/105-601	67
891-8992/205-203	47	891-8992/215-501	44	891-8993/006-403	72	891-8993/105-602	67
891-8992/205-205	47	891-8992/215-502	44	891-8993/006-405	72	891-8993/105-603	71
891-8992/205-207	47	891-8992/215-601	44	891-8993/006-407	72	891-8993/105-605	71
891-8992/205-301	43	891-8992/215-602	44	891-8993/006-501	69	891-8993/105-607	71
891-8992/205-302	43	891-8992/215-701	44	891-8993/006-502	69	891-8993/105-701	67
891-8992/205-303	47	891-8992/215-702	44	891-8993/006-503	72	891-8993/105-702	67
891-8992/205-305	47	891-8992/215-801	44	891-8993/006-505	72	891-8993/105-703	71
891-8992/205-307	47	891-8992/215-802	44	891-8993/006-507	72	891-8993/105-705	71
891-8992/205-401	43	891-8992/216-101	46	891-8993/006-601	69	891-8993/105-707	71
891-8992/205-402	43	891-8992/216-102	46	891-8993/006-602	69	891-8993/105-801	67
891-8992/205-403	47	891-8992/216-201	46	891-8993/006-603	72	891-8993/105-802	67
891-8992/205-405	47	891-8992/216-202	46	891-8993/006-605	72	891-8993/105-803	71
891-8992/205-407	47	891-8992/216-301	46	891-8993/006-607	72	891-8993/105-805	71
891-8992/205-501	43	891-8992/216-302	46	891-8993/006-701	69	891-8993/105-807	71
891-8992/205-502	43	891-8992/216-401	46	891-8993/006-702	69	891-8993/106-101	69
891-8992/205-503	47	891-8992/216-402	46	891-8993/006-703	72	891-8993/106-102	69
891-8992/205-505	47	891-8992/216-501	46	891-8993/006-705	72	891-8993/106-103	72
891-8992/205-507	47	891-8992/216-502	46	891-8993/006-707	72	891-8993/106-105	72
891-8992/205-601	43	891-8992/216-601	46	891-8993/006-801	69	891-8993/106-107	72
891-8992/205-602	43	891-8992/216-602	46	891-8993/006-802	69	891-8993/106-201	69
891-8992/205-603	47	891-8992/216-701	46	891-8993/006-803	72	891-8993/106-202	69
891-8992/205-605	47	891-8992/216-702	46	891-8993/006-805	72	891-8993/106-203	72
891-8992/205-607	47	891-8992/216-801	46	891-8993/006-807	72	891-8993/106-205	72
891-8992/205-701	43	891-8992/216-802	46	891-8993/015-101	68	891-8993/106-207	72
891-8992/205-702	43	891-8993/005-101	67	891-8993/015-102	68	891-8993/106-301	69
891-8992/205-703	47	891-8993/005-102	67	891-8993/015-201	68	891-8993/106-302	69
891-8992/205-705	47	891-8993/005-103	71	891-8993/015-202	68	891-8993/106-303	72
891-8992/205-707	47	891-8993/005-105	71	891-8993/015-301	68	891-8993/106-305	72
891-8992/205-801	43	891-8993/005-107	71	891-8993/015-302	68	891-8993/106-307	72
891-8992/205-802	43	891-8993/005-201	67	891-8993/015-401	68	891-8993/106-401	69
891-8992/205-803	47	891-8993/005-202	67	891-8993/015-402	68	891-8993/106-402	69
891-8992/205-805	47	891-8993/005-203	71	891-8993/015-501	68	891-8993/106-403	72
891-8992/205-807	47	891-8993/005-205	71	891-8993/015-502	68	891-8993/106-405	72
891-8992/206-101	45	891-8993/005-207	71	891-8993/015-601	68	891-8993/106-407	72
891-8992/206-102	45	891-8993/005-301	67	891-8993/015-602	68	891-8993/106-501	69
891-8992/206-103	48	891-8993/005-302	67	891-8993/015-701	68	891-8993/106-502	69
891-8992/206-105	48	891-8993/005-303	71	891-8993/015-702	68	891-8993/106-503	72
891-8992/206-107	48	891-8993/005-305	71	891-8993/015-801	68	891-8993/106-505	72
891-8992/206-201	45	891-8993/005-307	71	891-8993/015-802	68	891-8993/106-507	72
891-8992/206-202	45	891-8993/005-401	67	891-8993/016-101	70	891-8993/106-601	69
891-8992/206-203	48	891-8993/005-402	67	891-8993/016-102	70	891-8993/106-602	69
891-8992/206-205	48	891-8993/005-403	71	891-8993/016-201	70	891-8993/106-603	72
891-8992/206-207	48	891-8993/005-405	71	891-8993/016-202	70	891-8993/106-605	72
891-8992/206-301	45	891-8993/005-407	71	891-8993/016-301	70	891-8993/106-607	72
891-8992/206-302	45	891-8993/005-501	67	891-8993/016-302	70	891-8993/106-701	69
891-8992/206-303	48	891-8993/005-502	67	891-8993/016-401	70	891-8993/106-702	69
891-8992/206-305	48	891-8993/005-503	71	891-8993/016-402	70	891-8993/106-703	72
891-8992/206-307	48	891-8993/005-505	71	891-8993/016-501	70	891-8993/106-705	72
891-8992/206-401	45	891-8993/005-507	71	891-8993/016-502	70	891-8993/106-707	72
891-8992/206-402	45	891-8993/005-601	67	891-8993/016-601	70	891-8993/106-801	69
891-8992/206-403	48	891-8993/005-602	67	891-8993/016-602	70	891-8993/106-802	69
891-8992/206-405	48	891-8993/005-603	71	891-8993/016-701	70	891-8993/106-803	72
891-8992/206-407	48	891-8993/005-605	71	891-8993/016-702	70	891-8993/106-805	72
891-8992/206-501	45	891-8993/005-607	71	891-8993/016-801	70	891-8993/106-807	72
891-8992/206-502	45	891-8993/005-701	67	891-8993/016-802	70	891-8993/115-101	68

Item Number Index

Item No.	Page	Item No.	Page	Item No.	Page	Item No.	Page
891 Series		891 Series		891 Series		891 Series	
891-8994/205-803	93	891-8995/005-805	113	891-8995/105-807	113	891-8995/206-101	111
891-8994/205-805	93	891-8995/005-807	113	891-8995/106-101	111	891-8995/206-102	111
891-8994/205-807	93	891-8995/006-101	111	891-8995/106-102	111	891-8995/206-103	114
891-8994/206-101	91	891-8995/006-102	111	891-8995/106-103	114	891-8995/206-105	114
891-8994/206-102	91	891-8995/006-103	114	891-8995/106-105	114	891-8995/206-107	114
891-8994/206-103	94	891-8995/006-105	114	891-8995/106-107	114	891-8995/206-201	111
891-8994/206-105	94	891-8995/006-107	114	891-8995/106-201	111	891-8995/206-202	111
891-8994/206-107	94	891-8995/006-201	111	891-8995/106-202	111	891-8995/206-203	114
891-8994/206-201	91	891-8995/006-202	111	891-8995/106-203	114	891-8995/206-205	114
891-8994/206-202	91	891-8995/006-203	114	891-8995/106-205	114	891-8995/206-207	114
891-8994/206-203	94	891-8995/006-205	114	891-8995/106-207	114	891-8995/206-301	111
891-8994/206-205	94	891-8995/006-207	114	891-8995/106-301	111	891-8995/206-302	111
891-8994/206-207	94	891-8995/006-301	111	891-8995/106-302	111	891-8995/206-303	114
891-8994/206-301	91	891-8995/006-302	111	891-8995/106-303	114	891-8995/206-305	114
891-8994/206-302	91	891-8995/006-303	114	891-8995/106-305	114	891-8995/206-307	114
891-8994/206-303	94	891-8995/006-305	114	891-8995/106-307	114	891-8995/206-401	111
891-8994/206-305	94	891-8995/006-307	114	891-8995/106-401	111	891-8995/206-402	111
891-8994/206-307	94	891-8995/006-401	111	891-8995/106-402	111	891-8995/206-403	114
891-8994/206-401	91	891-8995/006-402	111	891-8995/106-403	114	891-8995/206-405	114
891-8994/206-402	91	891-8995/006-403	114	891-8995/106-405	114	891-8995/206-407	114
891-8994/206-403	94	891-8995/006-405	114	891-8995/106-407	114	891-8995/206-501	111
891-8994/206-405	94	891-8995/006-407	114	891-8995/106-501	111	891-8995/206-502	111
891-8994/206-407	94	891-8995/006-501	111	891-8995/106-502	111	891-8995/206-503	114
891-8994/206-501	91	891-8995/006-502	111	891-8995/106-503	114	891-8995/206-505	114
891-8994/206-502	91	891-8995/006-503	114	891-8995/106-505	114	891-8995/206-507	114
891-8994/206-503	94	891-8995/006-505	114	891-8995/106-507	114	891-8995/206-601	111
891-8994/206-505	94	891-8995/006-507	114	891-8995/106-601	111	891-8995/206-602	111
891-8994/206-507	94	891-8995/006-601	111	891-8995/106-602	111	891-8995/206-603	114
891-8994/206-601	91	891-8995/006-602	111	891-8995/106-603	114	891-8995/206-605	114
891-8994/206-602	91	891-8995/006-603	114	891-8995/106-605	114	891-8995/206-607	114
891-8994/206-603	94	891-8995/006-605	114	891-8995/106-607	114	891-8995/206-701	111
891-8994/206-605	94	891-8995/006-607	114	891-8995/106-701	111	891-8995/206-702	111
891-8994/206-607	94	891-8995/006-701	111	891-8995/106-702	111	891-8995/206-703	114
891-8994/206-701	91	891-8995/006-702	111	891-8995/106-703	114	891-8995/206-705	114
891-8994/206-702	91	891-8995/006-703	114	891-8995/106-705	114	891-8995/206-707	114
891-8994/206-703	94	891-8995/006-705	114	891-8995/106-707	114	891-8995/206-801	111
891-8994/206-705	94	891-8995/006-707	114	891-8995/106-801	111	891-8995/206-802	111
891-8994/206-707	94	891-8995/006-801	111	891-8995/106-802	111	891-8995/206-803	114
891-8994/206-801	91	891-8995/006-802	111	891-8995/106-803	114	891-8995/206-805	114
891-8994/206-802	91	891-8995/006-803	114	891-8995/106-805	114	891-8995/206-807	114
891-8994/206-803	94	891-8995/006-805	114	891-8995/106-807	114	891-8995/216-101	112
891-8994/206-805	94	891-8995/006-807	114	891-8995/116-101	112	891-8995/216-102	112
891-8994/206-807	94	891-8995/016-101	112	891-8995/116-102	112	891-8995/216-201	112
891-8994/216-101	92	891-8995/016-102	112	891-8995/116-201	112	891-8995/216-202	112
891-8994/216-102	92	891-8995/016-201	112	891-8995/016-201	112	891-8995/216-301	112
891-8994/216-201	92	891-8995/016-202	112	891-8995/116-301	112	891-8995/216-302	112
891-8994/216-202	92	891-8995/016-301	112	891-8995/116-302	112	891-8995/216-401	112
891-8994/216-301	92	891-8995/016-302	112	891-8995/116-401	112	891-8995/216-402	112
891-8994/216-302	92	891-8995/016-401	112	891-8995/116-402	112	891-8995/216-501	112
891-8994/216-401	92	891-8995/016-402	112	891-8995/116-501	112	891-8995/216-502	112
891-8994/216-402	92	891-8995/016-501	112	891-8995/116-502	112	891-8995/216-601	112
891-8994/216-501	92	891-8995/016-502	112	891-8995/116-601	112	891-8995/216-602	112
891-8994/216-502	92	891-8995/016-601	112	891-8995/116-602	112	891-8995/216-701	112
891-8994/216-601	92	891-8995/016-602	112	891-8995/116-701	112	891-8995/216-702	112
891-8994/216-602	92	891-8995/016-701	112	891-8995/116-702	112	891-8995/216-801	112
891-8994/216-701	92	891-8995/016-702	112	891-8995/116-801	112	891-8995/216-802	112
891-8994/216-702	92	891-8995/016-801	112	891-8995/116-802	112		
891-8994/216-801	92	891-8995/016-802	112	891-8995/205-103	113	893 Series	
891-8994/216-802	92	891-8995/105-103	113	891-8995/205-105	113	893-121	321
891-8995/005-103	113	891-8995/105-105	113	891-8995/205-107	113	893-122	322
891-8995/005-105	113	891-8995/105-107	113	891-8995/205-203	113	893-129	322
891-8995/005-107	113	891-8995/105-203	113	891-8995/205-205	113	893-261	317
891-8995/005-203	113	891-8995/105-205	113	891-8995/205-207	113	893-262	318
891-8995/005-205	113	891-8995/105-207	113	891-8995/205-303	113	893-269	318
891-8995/005-207	113	891-8995/105-303	113	891-8995/205-305	113	893-1002	299
891-8995/005-303	113	891-8995/105-305	113	891-8995/205-307	113	893-1012	299
891-8995/005-305	113	891-8995/105-307	113	891-8995/205-403	113	893-1022	299
891-8995/005-307	113	891-8995/105-403	113	891-8995/205-405	113	893-1032	299
891-8995/005-403	113	891-8995/105-405	113	891-8995/205-407	113	893-1606	303
891-8995/005-405	113	891-8995/105-407	113	891-8995/205-503	113	893-1656	303
891-8995/005-407	113	891-8995/105-503	113	891-8995/205-505	113	893-2002	301
891-8995/005-503	113	891-8995/105-505	113	891-8995/205-507	113	893-2012	301
891-8995/005-505	113	891-8995/105-507	113	891-8995/205-603	113	893-2022	301
891-8995/005-507	113	891-8995/105-603	113	891-8995/205-605	113	893-2032	301
891-8995/005-603	113	891-8995/105-605	113	891-8995/205-607	113		
891-8995/005-605	113	891-8995/105-607	113	891-8995/205-703	113	894 Series	
891-8995/005-607	113	891-8995/105-703	113	891-8995/205-705	113	894-8392/073-106	306
891-8995/005-703	113	891-8995/105-705	113	891-8995/205-707	113	894-8392/073-306	306
891-8995/005-705	113	891-8995/105-707	113	891-8995/205-803	113	894-8392/073-506	306
891-8995/005-707	113	891-8995/105-803	113	891-8995/205-805	113	894-8392/173-106	306
891-8995/005-803	113	891-8995/105-805	113	891-8995/205-807	113	894-8392/173-306	306

Item No.	Page	Item No.	Page	Item No.	Page	Item No.	Page
894 Series		899 Series					
894-8392/173-506	306	899-631/105-000	346				
894-8392/273-106	306	899-631/149-000	348				
894-8392/273-306	306	899-631/180-000	356				
894-8392/273-506	306	899-631/181-000	351				
894-8992/023-107	307	899-631/186-000	345				
894-8992/023-307	307	899-631/187-000	344				
894-8992/023-507	307	899-631/189-000	358				
894-8992/033-106	305	899-631/302-000	347				
894-8992/033-306	305	899-631/305-000	359				
894-8992/033-506	305	899-631/308-000	358				
894-8992/123-107	307	899-631/309-000	355				
894-8992/123-307	307	899-631/311-000	342				
894-8992/123-507	307	899-631/313-000	353				
894-8992/133-106	305	899-631/315-000	359				
894-8992/133-306	305	899-631/327-000	343				
894-8992/133-506	305	899-631/330-000	340				
894-8992/223-107	307	899-631/331-000	341				
894-8992/223-307	307	899-631/334-000	342				
894-8992/223-507	307	899-631/338-000	348				
894-8992/233-106	305	899-631/339-000	349				
894-8992/233-306	305	899-631/346-000	346				
894-8992/233-506	305	899-631/363-000	357				
895 Series		899-631/386-000	357				
895-1051	329	899-631/395-000	341				
895-1052	330	899-631/405-000	354				
895-1601	387	899-631/421-000	355				
895-1602	387	899-631/450-000	350				
895-1603	387	899-631/453-000	350				
895-1604	387	899-631/454-000	351				
895-1605	387	899-631/455-000	353				
895-1651	333	899-631/476-000	340				
895-1652	334	899-631/477-000	343				
896 Series		899-631/478-000	356				
896-231	325	899-632	362				
896-232	326	899-632/101-000	360				
896-233	327	899-632/102-000	361				
896-234	327	899-632/103-000	361				
897 Series		899-632/138-000	360				
897-120	389	899-680	385				
897-121	389	899-681	362				
897-122	389	899-681/100-000	345				
897-230	389	899-681/104-000	339				
897-231	390	899-681/123-000	349				
897-232	390	899-681/144-000	347				
897-250	389	899-681/145-000	352				
897-251	390	899-681/146-000	354				
897-252	390	899-681/147-000	352				
897-260	389	899-682	362				
897-261	391						
897-262	391						
897-453	390						
897-839	388						
897-859	388						
897-878	388						
897-900	389						
897-901	389						
897-931	395						
897-951	395						
897-952	395						
897-960	395						
897-971	395						
897-972	395						
897-1050	389						
897-1051	391						
897-1052	391						
897-1650	389						
897-1651	391						
897-1652	391						
897-2001	368						
897-2003	368						
897-2005	373						
899 Series							
899-631	362						
899-631/100-000	344						
899-631/104-000	339						

WAGO GmbH & Co. KG

Postfach 2880 · D · 32385 Minden
Hansastraße 27 · D · 32423 Minden

info@wago.com

www.wago.com

Headquarters	+49 571 887 - 0
Sales	+49 571 887 - 44222
Order Service	+49 571 887 - 44333

Current addresses at www.wago.com

WAGO is a registered trademark of WAGO Verwaltungsgesellschaft mbH.

"Copyright – WAGO GmbH & Co. KG – All rights reserved.

The content and structure of the WAGO websites, catalogs, videos and other WAGO media are subject to copyright. Distribution or modification to the contents of these pages and videos is prohibited. Furthermore, the content may neither be copied nor made available to third parties for commercial purposes. Also subject to copyright are the images and videos that were made available to WAGO GmbH & Co. KG by third parties."